



US00D671951S

(12) **United States Design Patent**
Lin

(10) **Patent No.:** **US D671,951 S**
(45) **Date of Patent:** **** Dec. 4, 2012**

(54) **USB DEVICE**

(75) Inventor: **Peng-Fei Lin**, Hsinchu (TW)
(73) Assignee: **Midas Mana Technology SDN.BHD.**,
Penang (MY)

(**) Term: **14 Years**

(21) Appl. No.: **29/410,254**

(22) Filed: **Jan. 5, 2012**

(51) **LOC (9) Cl.** **14-02**

(52) **U.S. Cl.** **D14/480.5**; D14/480.2

(58) **Field of Classification Search** D14/411,
D14/433, 435, 435.1, 436-438, 480.1-480.7,
D14/484.1, 137, 155, 203.1-203.8, 240;
D13/133, 146-147, 154; 710/300, 301; 439/131,
439/135-147; 361/679.31, 679.33, 679.4,
361/752; 711/100, 115; D7/628, 629, 539,
D7/541; D9/645; D11/67, 115, 139, 157;
D28/67; D21/496

See application file for complete search history.

(56) **References Cited**

U.S. PATENT DOCUMENTS

D431,879 S *	10/2000	Perlin	D28/67
D450,984 S *	11/2001	Rondolino	D7/629
D454,061 S *	3/2002	Davis	D9/645
D487,458 S *	3/2004	Gentil et al.	D14/480.5
D489,971 S *	5/2004	Tamez	D9/645
D572,251 S *	7/2008	Lee	D14/435.1
D619,584 S *	7/2010	Raz	D14/433
D623,399 S *	9/2010	McSweyn	D3/208
D624,747 S *	10/2010	McSweyn	D3/208
D645,049 S *	9/2011	Faranda et al.	D14/480.5
D645,050 S *	9/2011	Faranda et al.	D14/480.5
8,096,820 B2 *	1/2012	Lyu et al.	439/141

OTHER PUBLICATIONS

DubaiTradeMarket.Com—, [online] Posted Apr. 17, 2012 [retrieved on Aug. 16, 2012]. Retrieved from the Internet <URL: http://www.dubaitrademarket.com/leads/viewSellingLeads.php?i_leadID=486822>.*

KeyJuice for Micro/Mini USB—Mobile Devices at iGo, Inc., [online], [retrieved on Jun. 17, 2011]. Retrieved from the Internet <URL: <http://www.igo.com/mobile-devices/keyjuice-for-micromini-usb/inv/ps002910001/>>.*

Keyjuice Ipod Iphone & Ipad Sync & Charge Your Iphone Ipod—ANTOnline.com, [online], [retrieved on Jun. 17, 2011]. Retrieved from the Internet <URL: http://www.antonline.com/p_PS00290-0001-NX_884402.htm?sID=NX>.*

* cited by examiner

Primary Examiner — Karen E Kearney

(74) *Attorney, Agent, or Firm* — Lin & Associates IP, Inc.

(57) **CLAIM**

I claim the ornamental design for USB device, as shown and described.

DESCRIPTION

FIG. 1 is a perspective view of USB device showing my new design;

FIG. 2 is a front elevational view thereof;

FIG. 3 is a rear elevational view thereof;

FIG. 4 is a left side elevational view thereof;

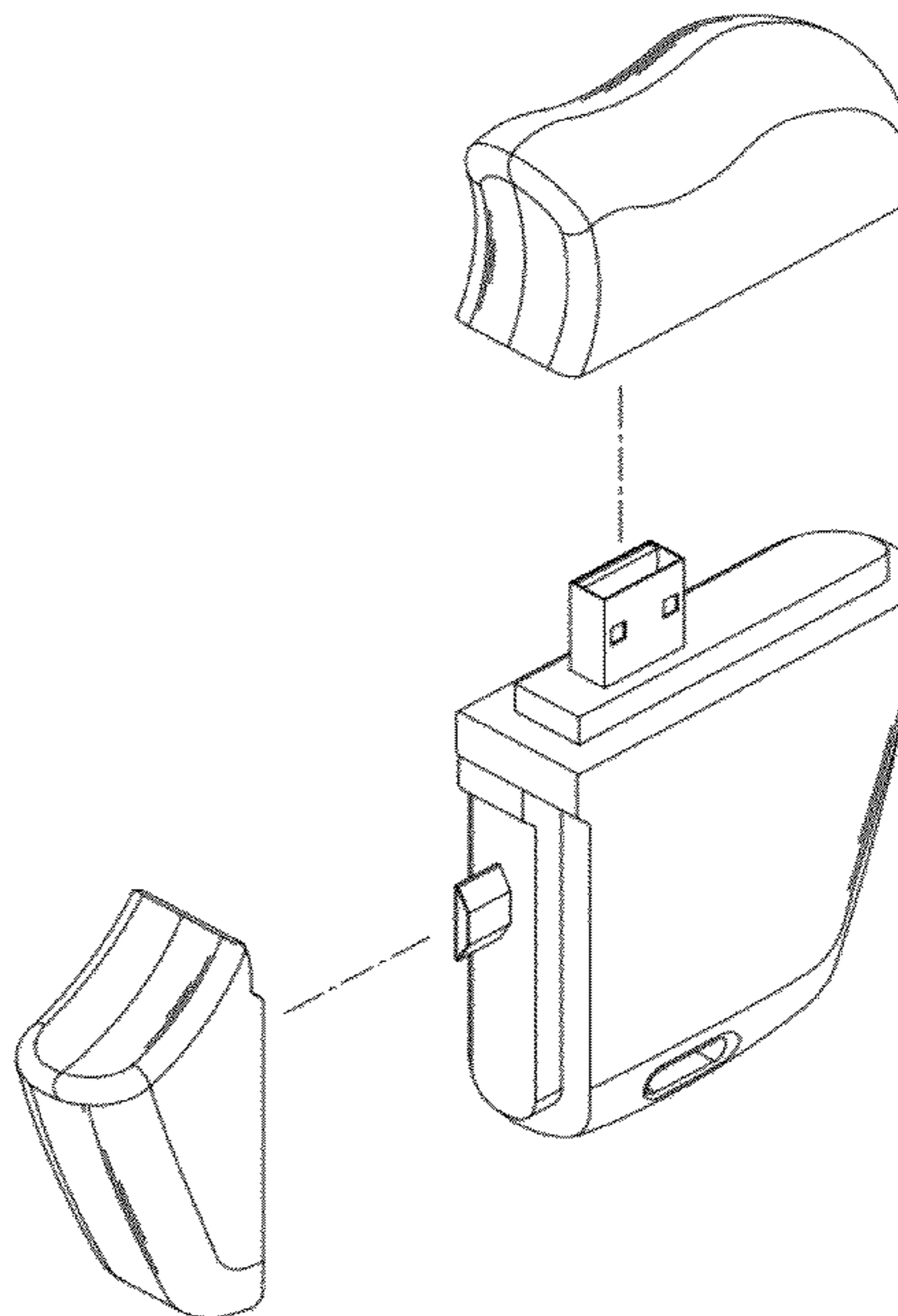
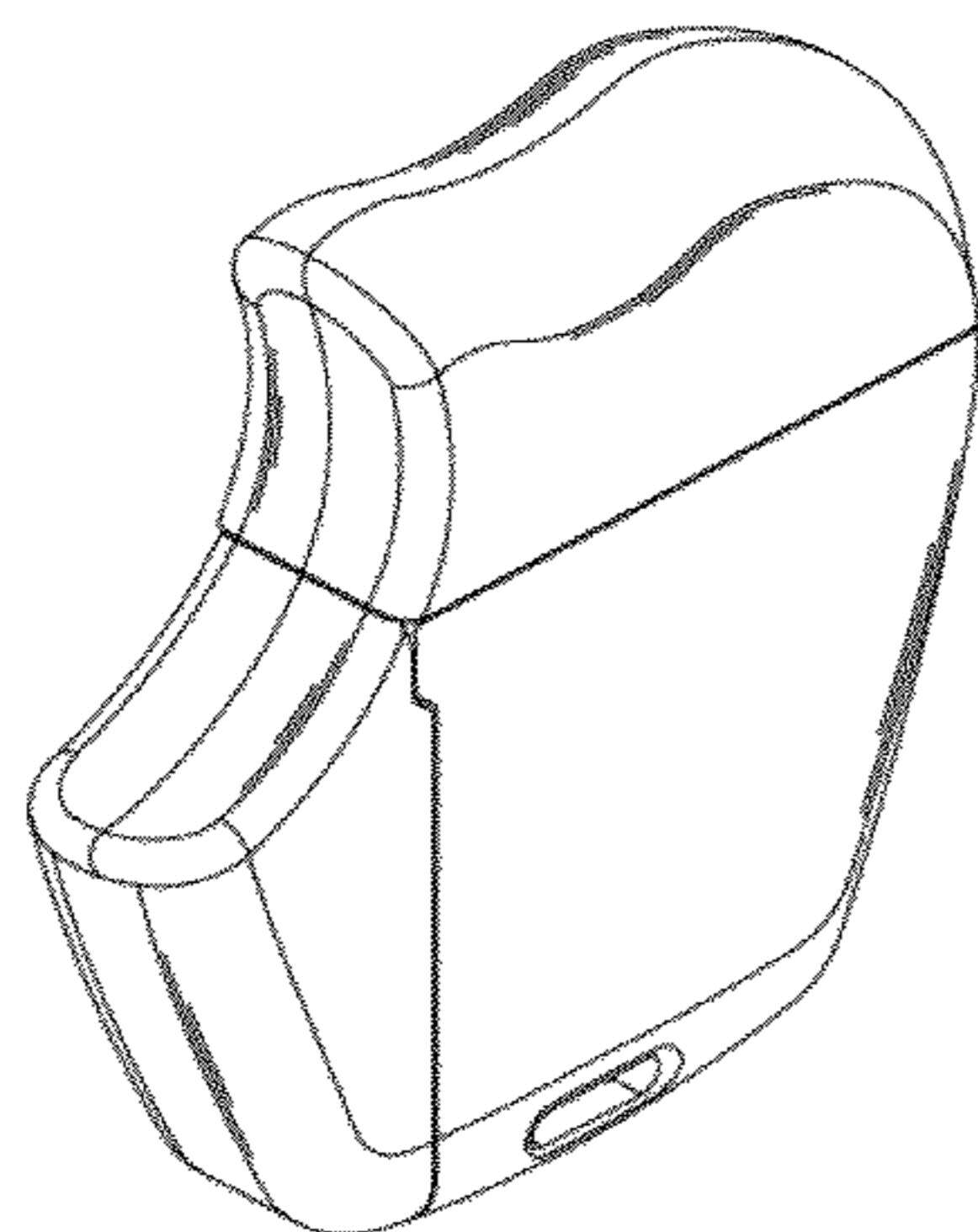
FIG. 5 is right side elevational view thereof;

FIG. 6 is a top plan view thereof;

FIG. 7 is a bottom plan view thereof; and,

FIG. 8 is an exploded perspective view thereof.

1 Claim, 8 Drawing Sheets



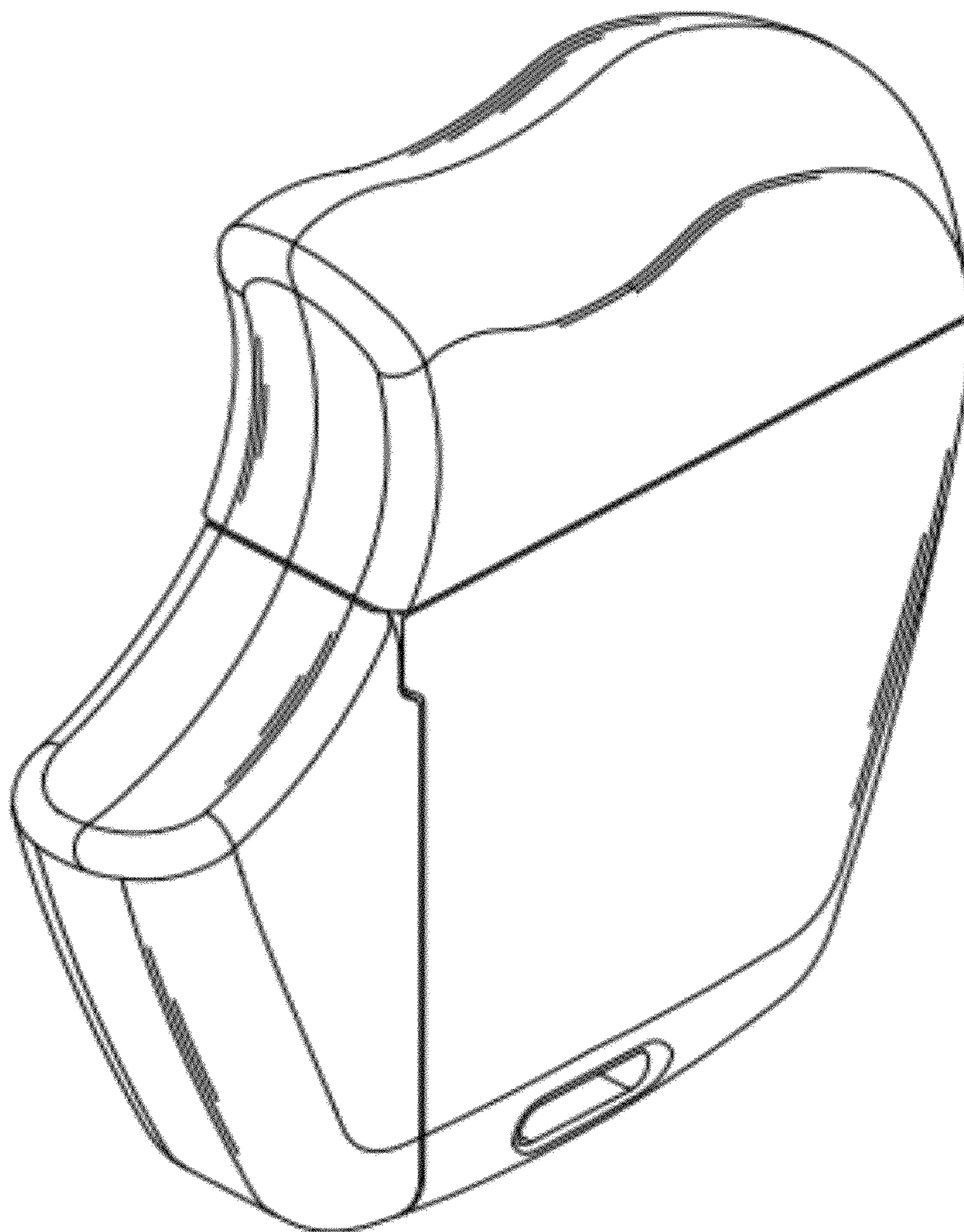


FIG. 1

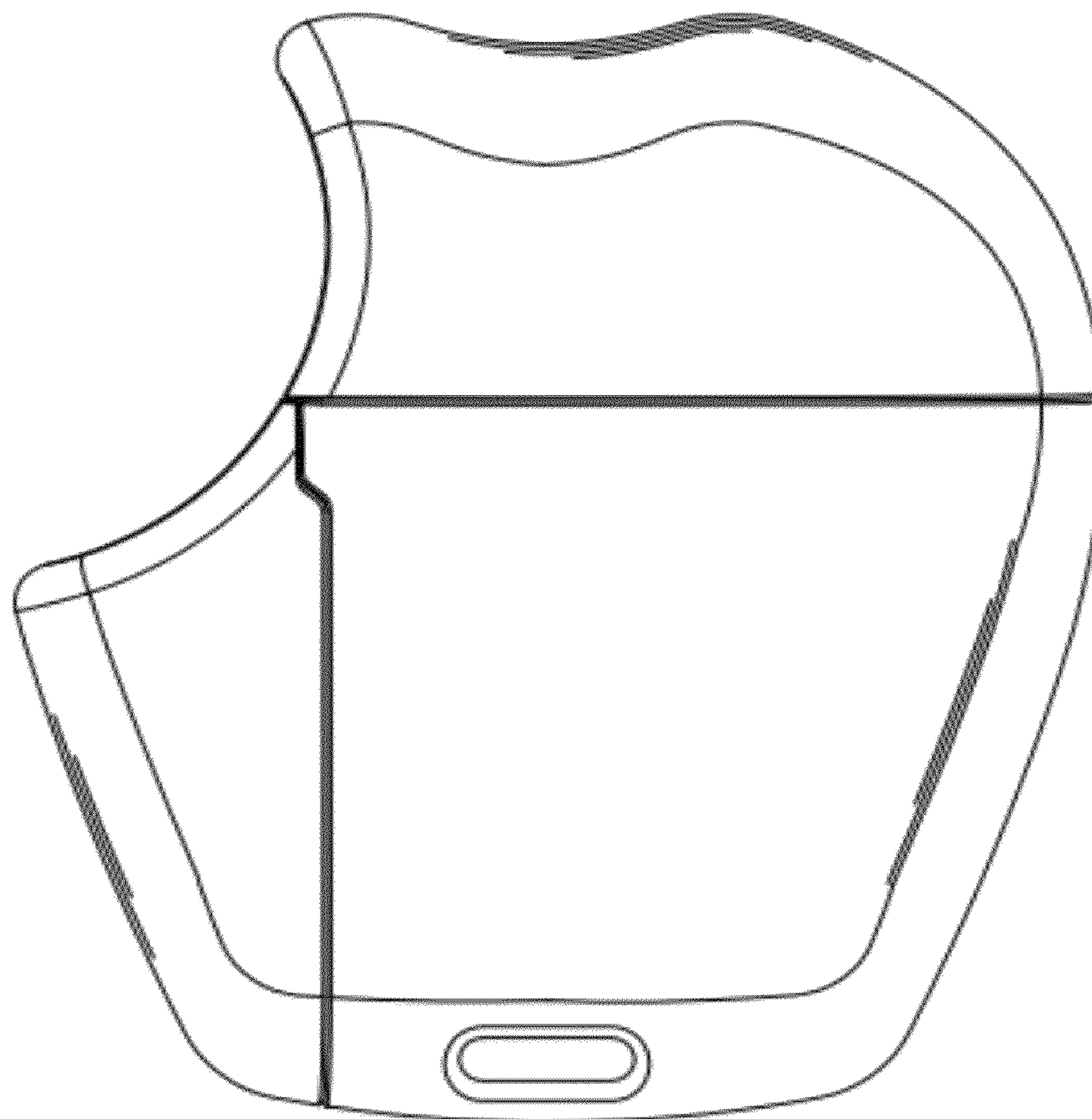


FIG. 2

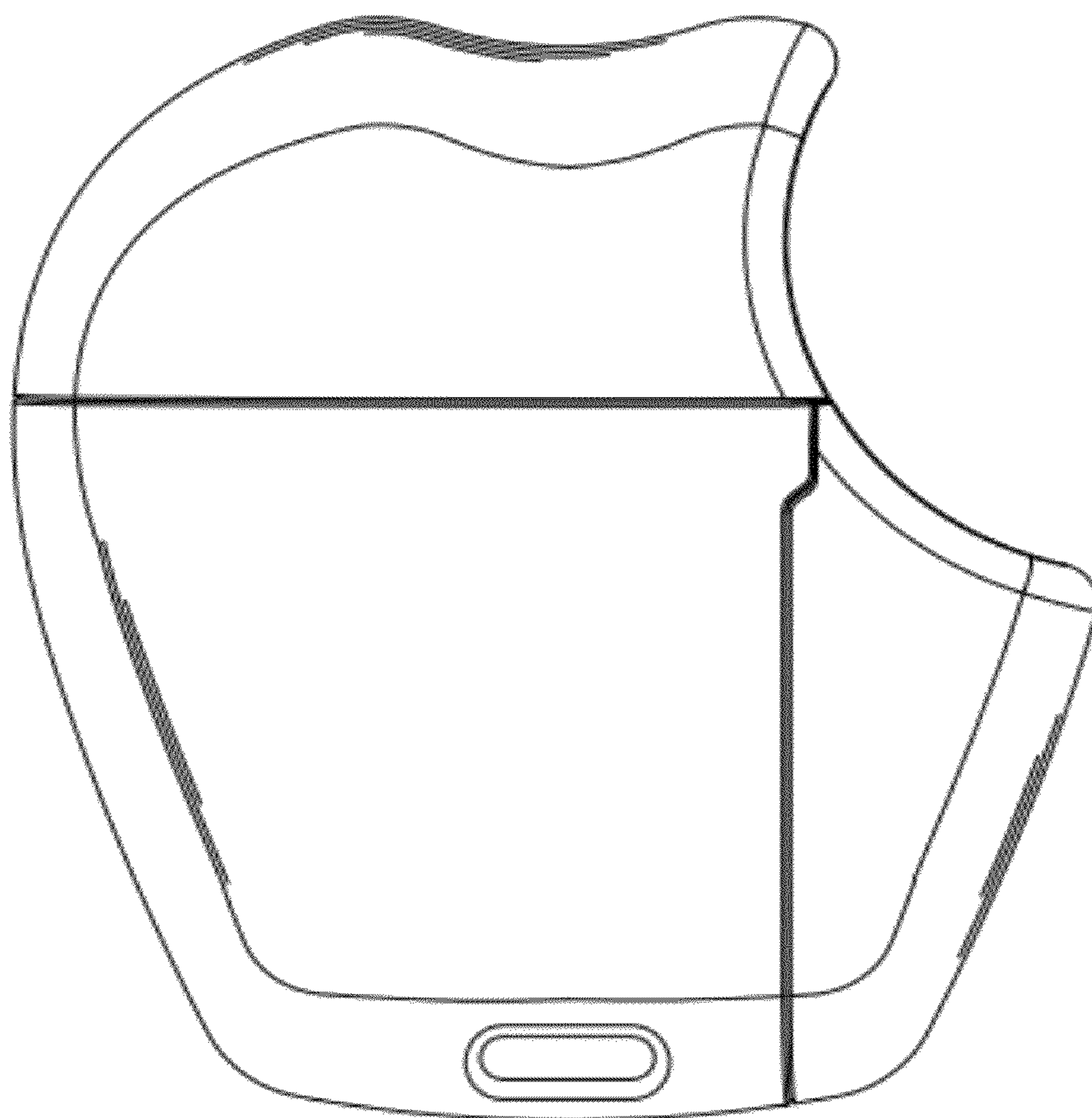


FIG. 3

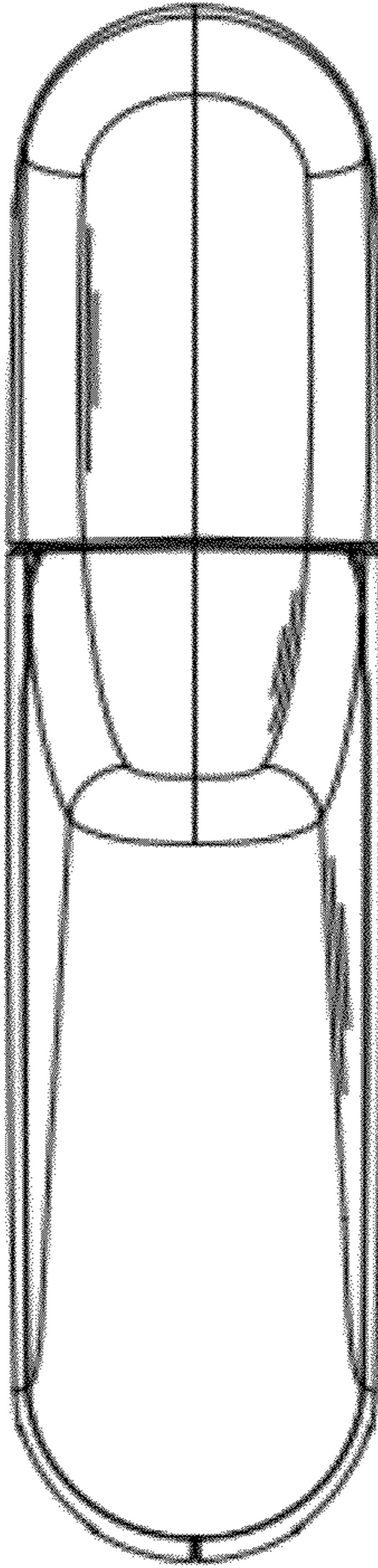


FIG. 4

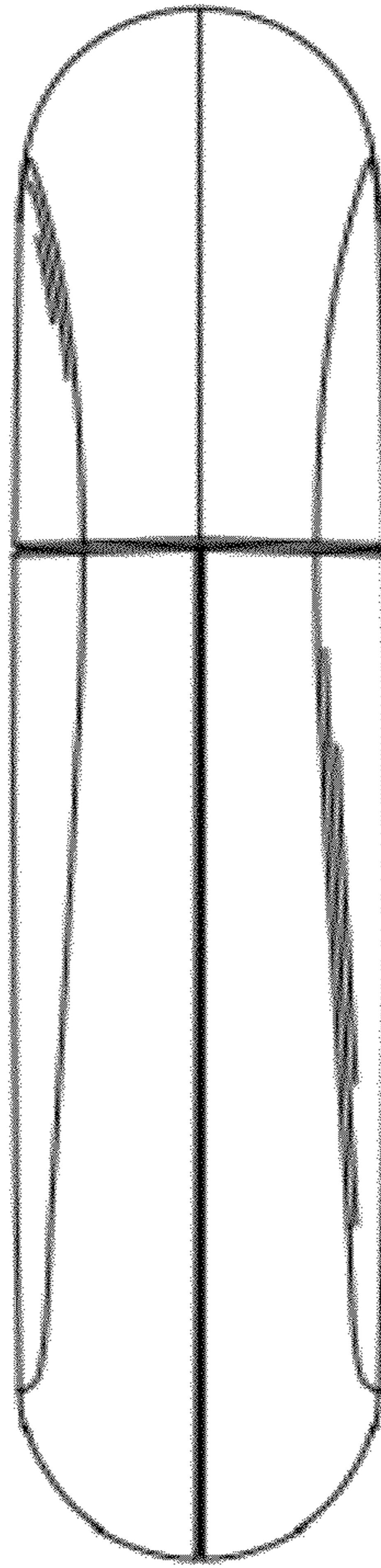


FIG. 5

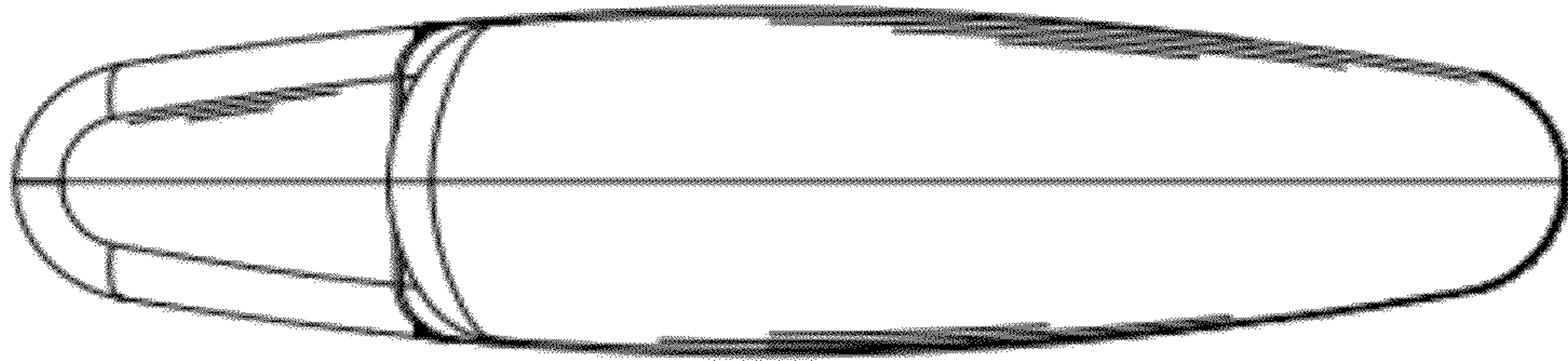


FIG. 6

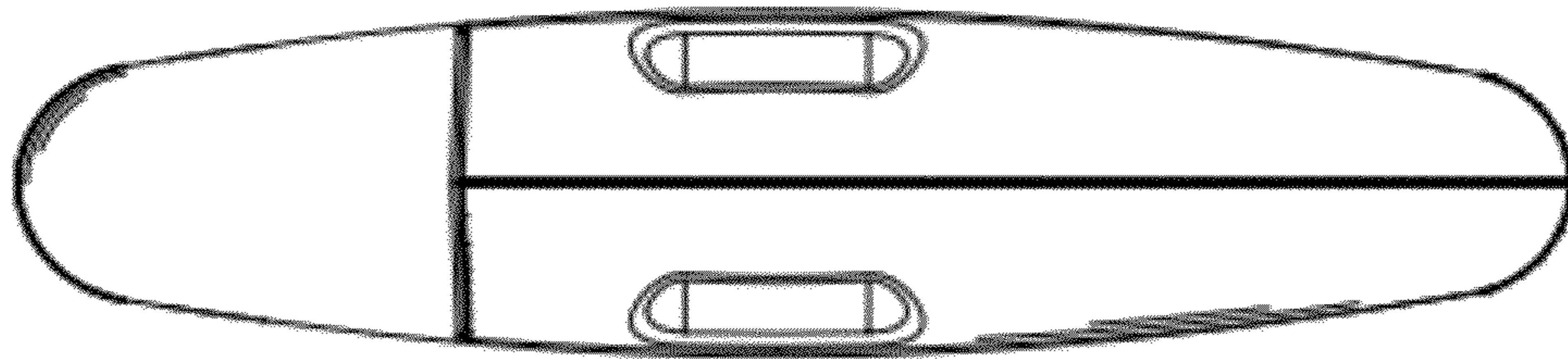


FIG. 7

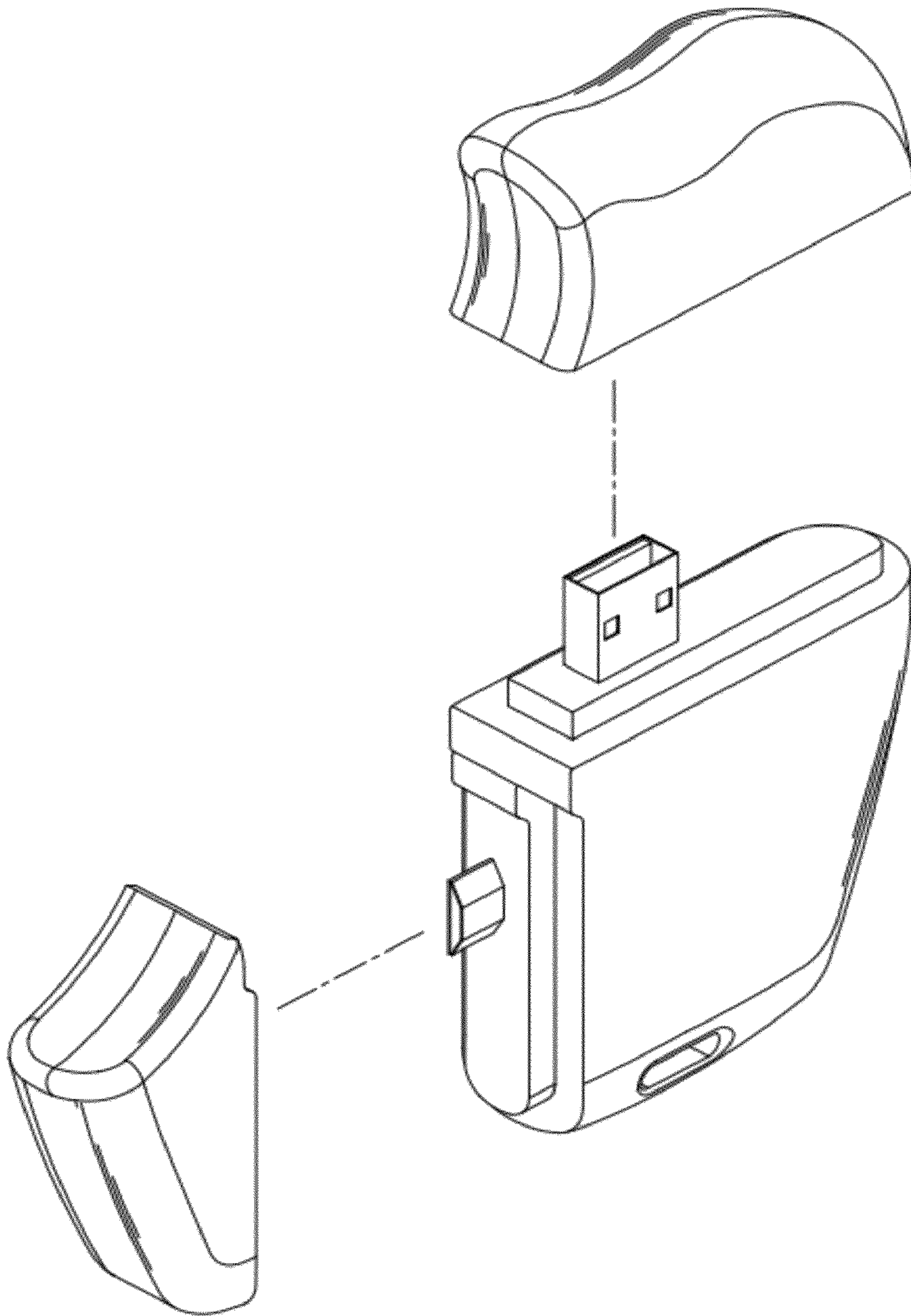


FIG. 8