



US00D671950S

(12) **United States Design Patent**
Richter

(10) **Patent No.:** **US D671,950 S**
(45) **Date of Patent:** **** Dec. 4, 2012**

- (54) **APPARATUS HOLDER**
- (76) Inventor: **Harald Richter**, Engelbrand (DE)
- (**) Term: **14 Years**
- (21) Appl. No.: **29/428,583**
- (22) Filed: **Aug. 1, 2012**
- (51) **LOC (9) Cl.** **08-07**
- (52) **U.S. Cl.** **D14/447**
- (58) **Field of Classification Search** D14/447,
D14/432, 434, 433, 439, 440, 448, 451, 452,
D14/457, 460, 217, 239, 238.1, 250, 251,
D14/253, 203.8, 341, 336, 371, 372, 374,
D14/375, 376, 377, 378, 379, 392; D13/107,
D13/108; D3/218; D6/406.1, 406.3, 406.4,
D6/406.5, 406.6, 419, 420, 429, 396, 449,
D6/466, 467, 471; 361/679.02, 679.09, 679.19,
361/679.21, 679.22, 679.23, 679.26, 679.27,
361/679.3, 679.55, 679.56, 679.6; 248/917-924,
248/136, 150, 152, 153, 371, 166, 176.1,
248/176.3, 188.6, 676, 678, 441.1, 444.1,
248/447, 447.1, 447.2, 451, 454, 455, 456,
248/460, 463, 465.1
See application file for complete search history.

D650,783 S *	12/2011	Ausfeld et al.	D14/434
D653,668 S *	2/2012	Song et al.	D14/447
D666,205 S *	8/2012	Li et al.	D14/452
2011/0019992 A1 *	1/2011	Orf	396/419
2012/0170212 A1 *	7/2012	Gallouzi et al.	361/679.56

* cited by examiner

Primary Examiner — Angela J Lee
(74) *Attorney, Agent, or Firm* — Klaus J. Bach

(57) **CLAIM**
The ornamental design for an apparatus holder, as shown and described.

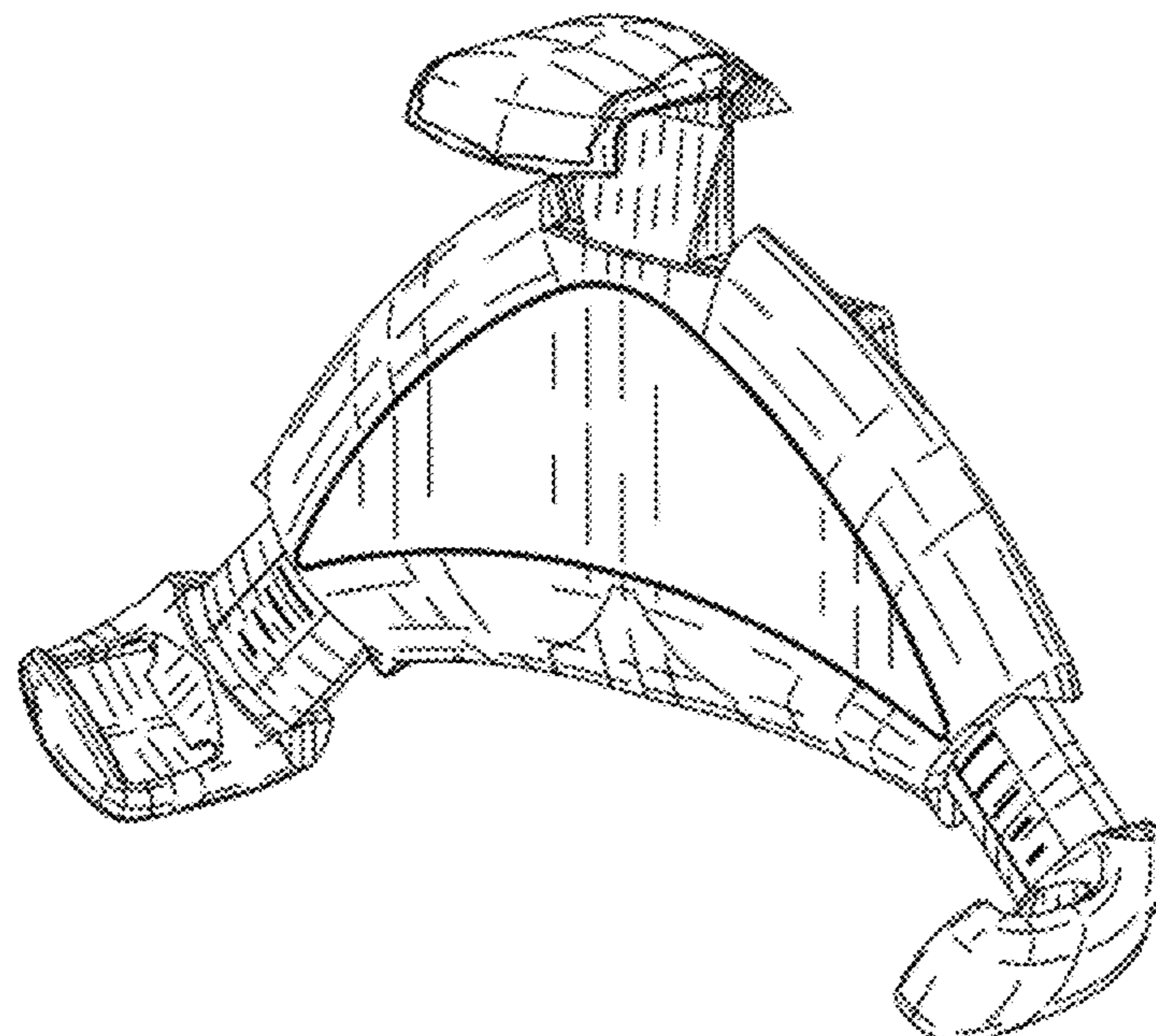
DESCRIPTION

FIG. 1 is a perspective view of an apparatus holder;
FIG. 2 is a front view of the apparatus holder shown in FIG. 1,
FIG. 3 is a top end view of the apparatus holder shown in FIG. 2,
FIG. 4 is a bottom end view of the apparatus holder shown in FIG. 2,
FIG. 5 is a right end view of the apparatus holder shown in FIG. 2,
FIG. 6 is a left end view of the apparatus holder shown in FIG. 2; and,
FIG. 7 is a rear view of the apparatus holder as shown in FIG. 2.

The apparatus holder is used for supporting for example a smart phone on a support device. The lower arms are adjustably extendable and are lockable in the selected positions to accommodate the corners of the smart phone when used for example as a GPS in a horizontal position. The upper part is spring-biased inwardly to engage a side edge of the smart phone. At its rear the holder is provided with mounting means for attachment to the support device.

1 Claim, 5 Drawing Sheets

- (56) **References Cited**
- U.S. PATENT DOCUMENTS
- D603,840 S * 11/2009 Lee et al. D14/217
- D610,587 S * 2/2010 Bandringa D14/447
- D614,613 S * 4/2010 Kim et al. D14/253
- D634,315 S * 3/2011 Nousiainen D14/253
- D636,397 S * 4/2011 Green D14/447
- D640,707 S * 6/2011 Yeh D14/447
- D646,315 S * 10/2011 Orf D16/242
- D650,372 S * 12/2011 Molter D14/239



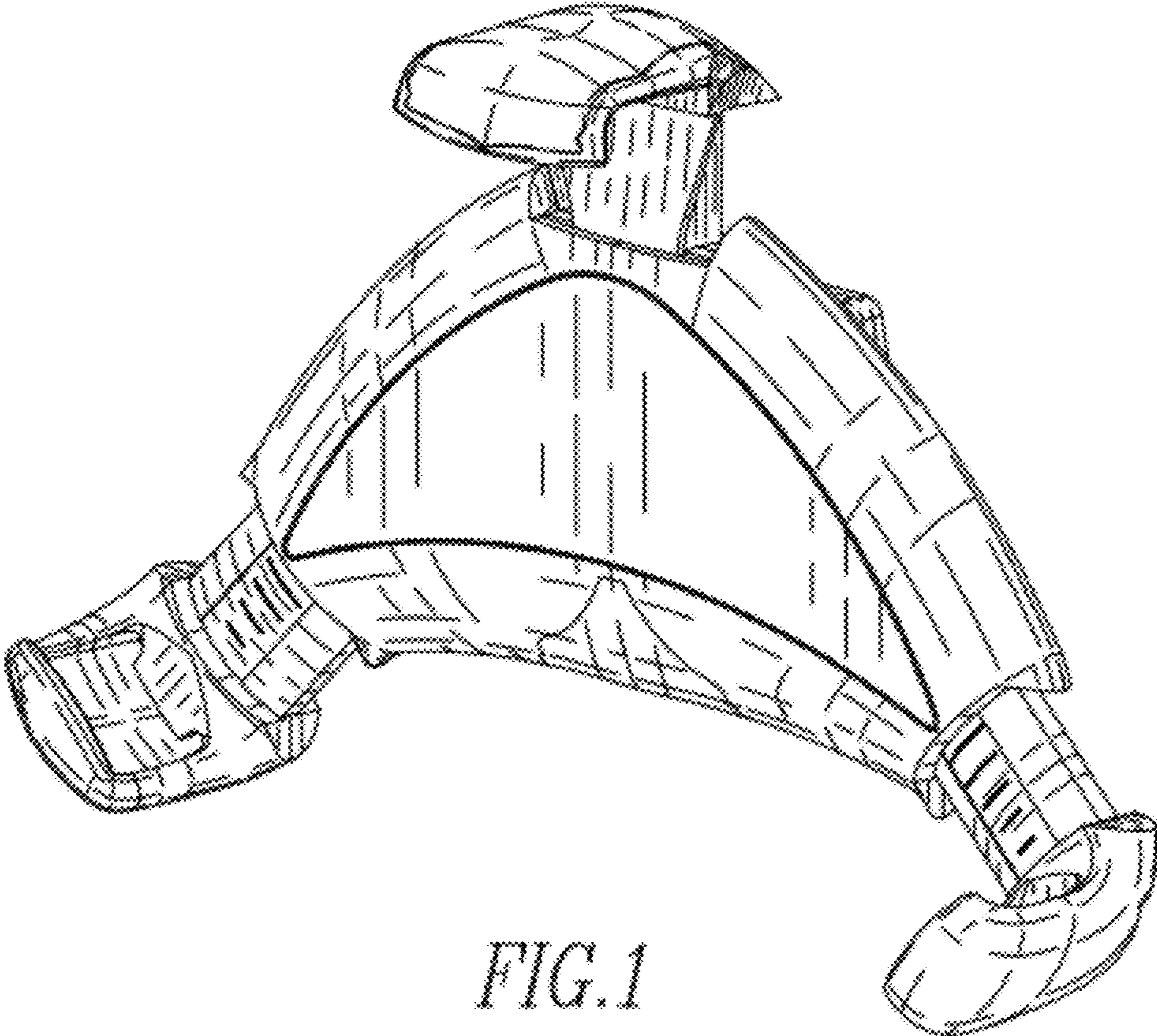


FIG. 1

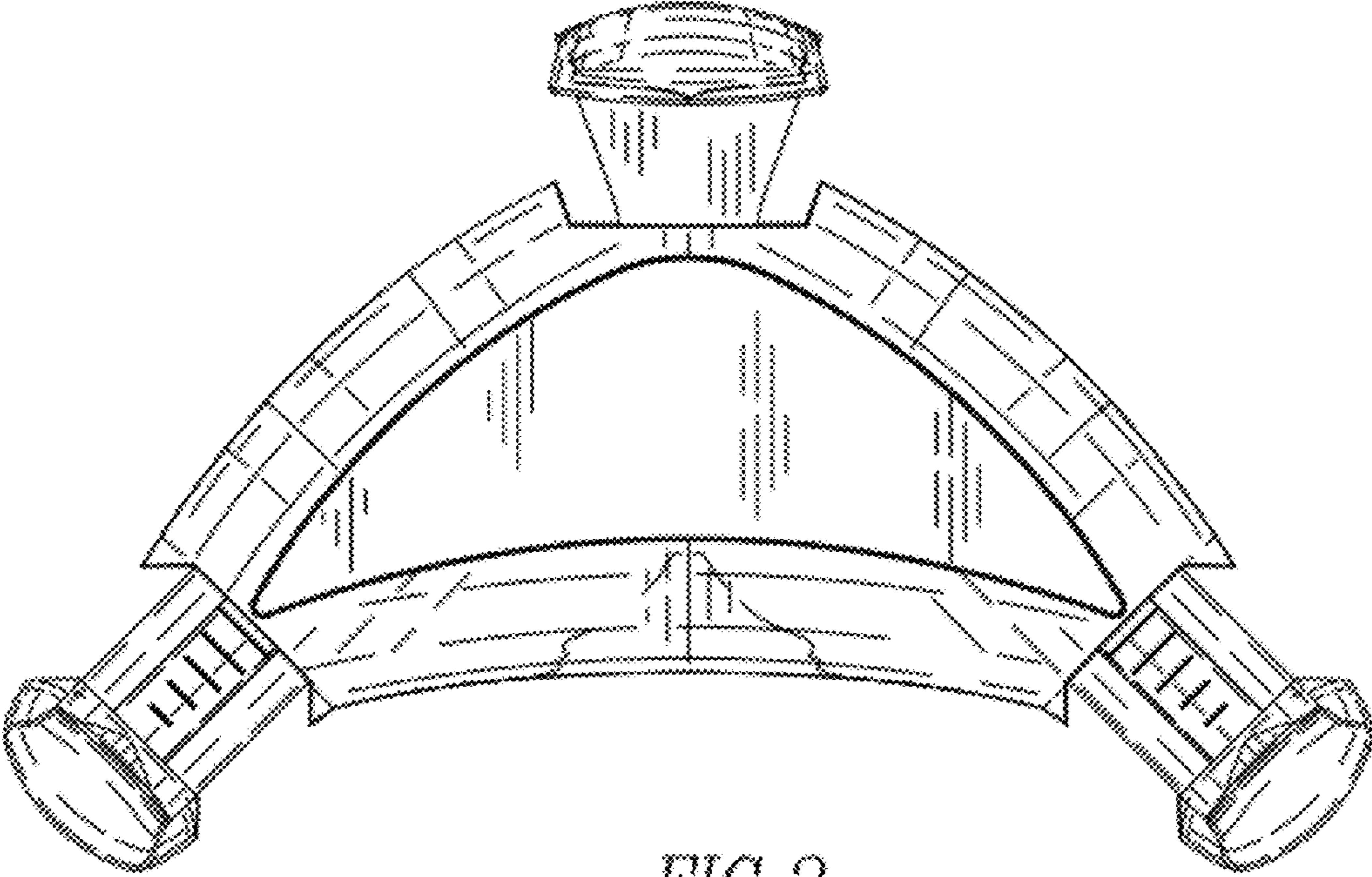


FIG. 2

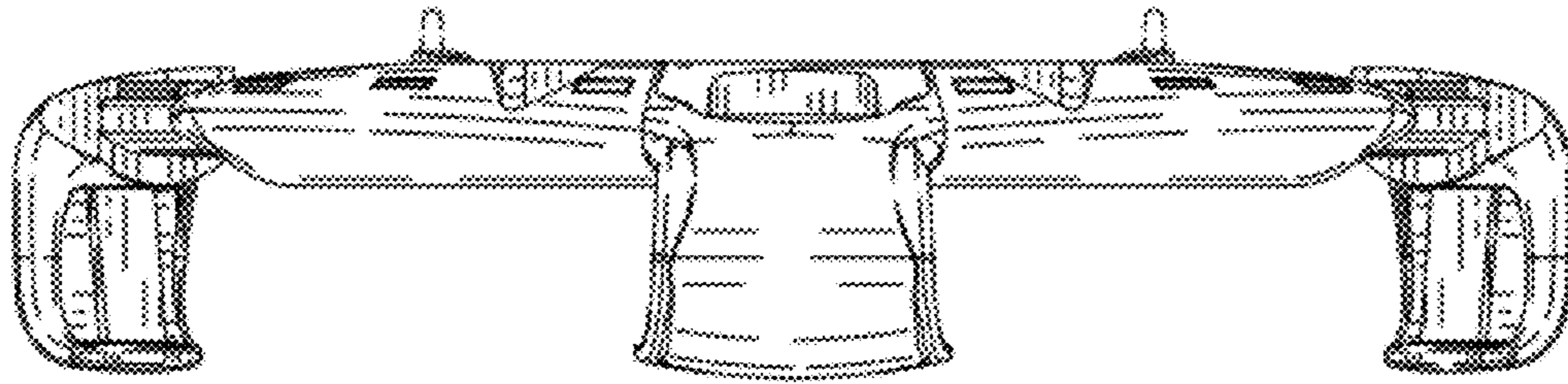


FIG. 3

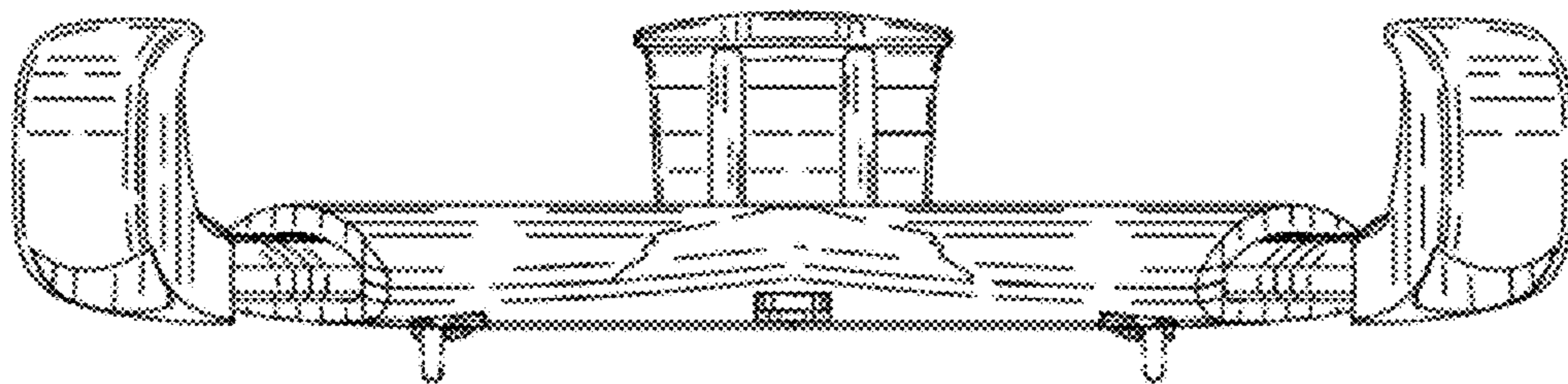


FIG. 4

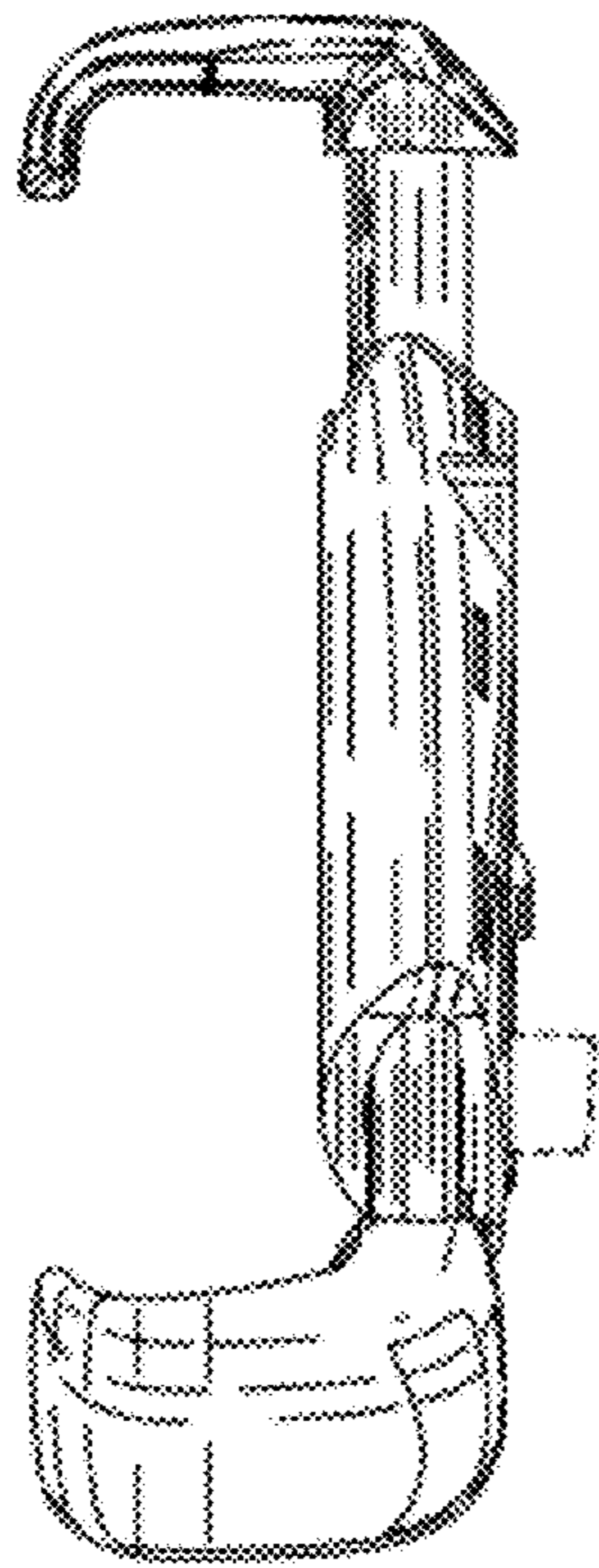


FIG. 5

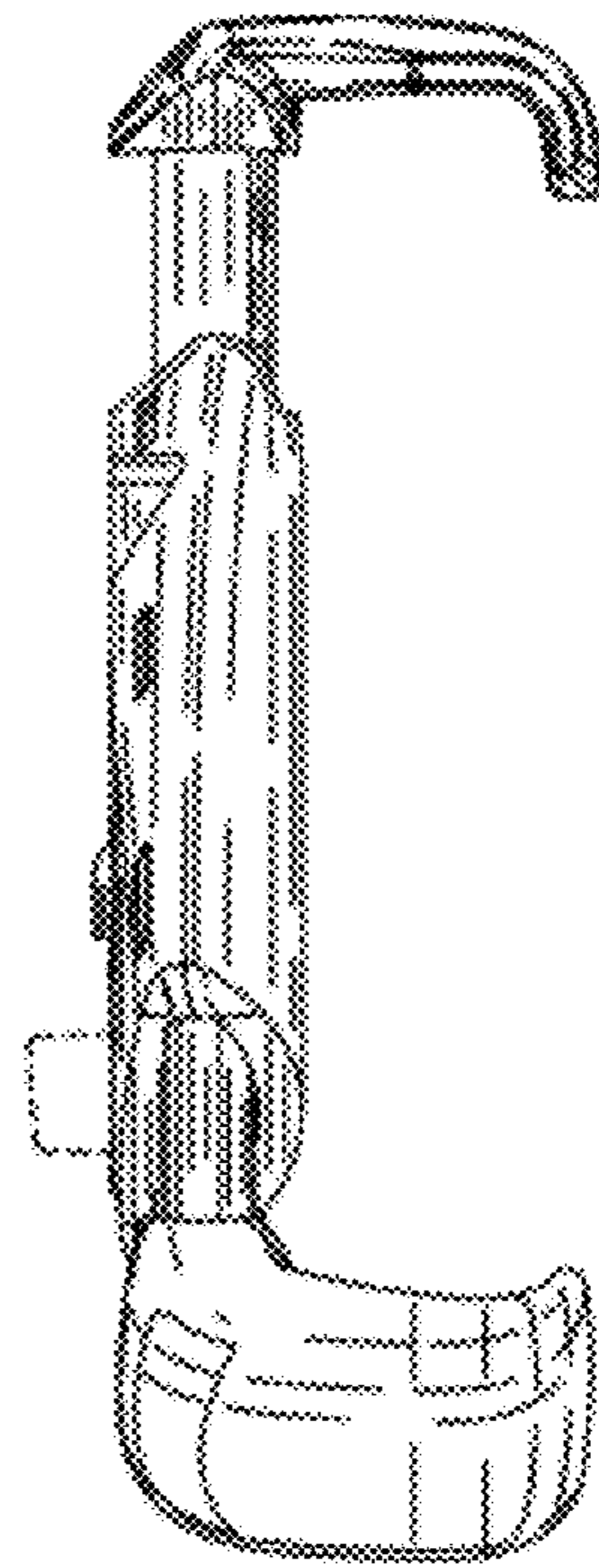


FIG. 6

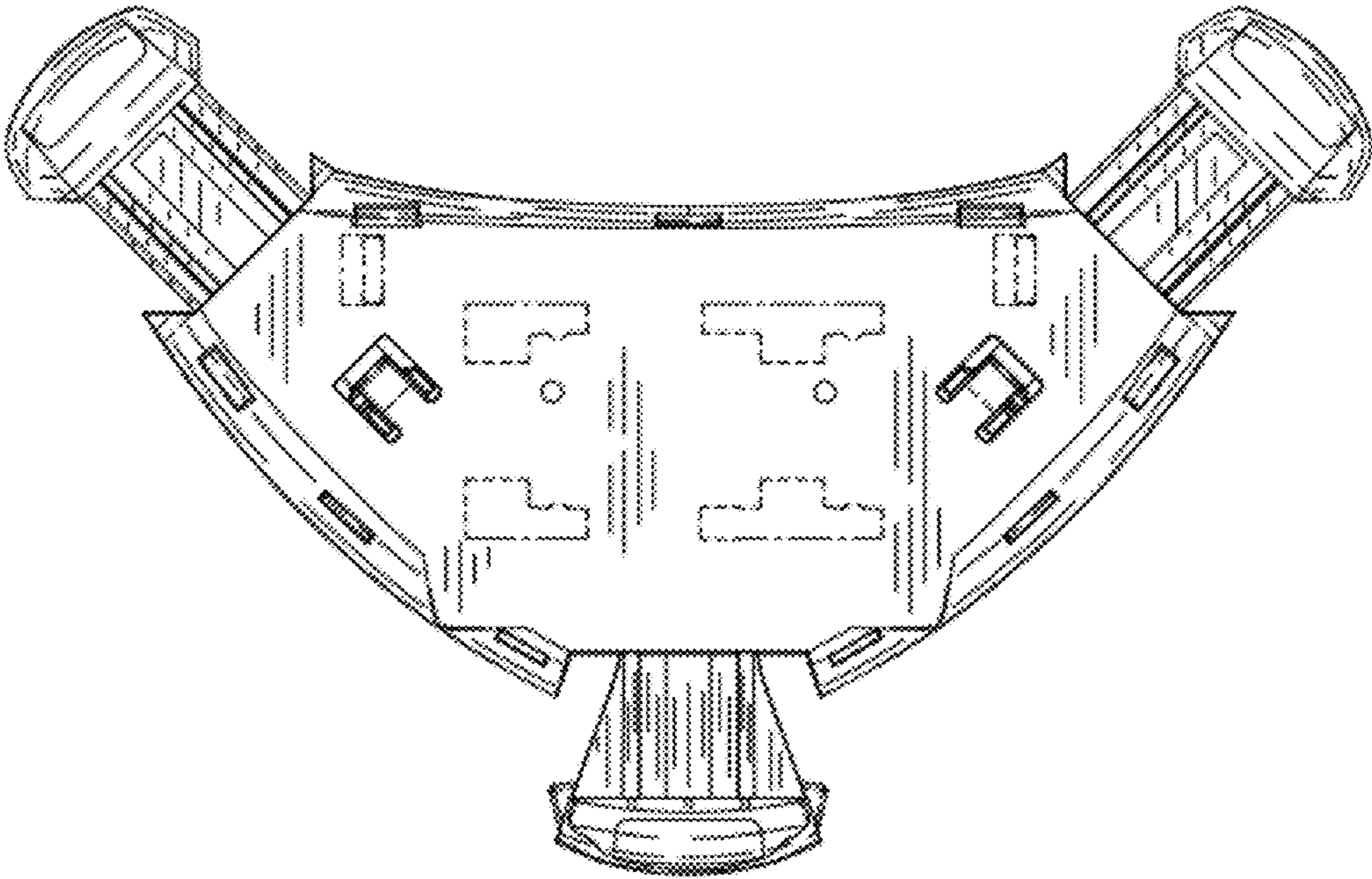


FIG. 7