

US00D671948S

(12) **United States Design Patent**
Akana et al.

(10) **Patent No.:** **US D671,948 S**
(45) **Date of Patent:** **** Dec. 4, 2012**

(54) **COVER**

(75) Inventors: **Jody Akana**, San Francisco, CA (US);
Bartley K. Andre, Menlo Park, CA (US);
Jeremy Bataillou, San Francisco, CA (US);
Daniel J. Coster, San Francisco, CA (US);
Daniele De Iuliis, San Francisco, CA (US);
Evans Hankey, San Francisco, CA (US);
Julian Hoenig, San Francisco, CA (US);
Richard P. Howarth, San Francisco, CA (US);
Jonathan P. Ive, San Francisco, CA (US);
Duncan Robert Kerr, San Francisco, CA (US);
Shin Nishibori, Kailua, HI (US);
Matthew Dean Rohrbach, San Francisco, CA (US);
Peter Russell-Clarke, San Francisco, CA (US);
Christopher J. Stringer, Woodside, CA (US);
Eugene Antony Whang, San Francisco, CA (US);
Rico Zorkendorfer, San Francisco, CA (US)

(73) Assignee: **Apple Inc.**, Cupertino, CA (US)
(**) Term: **14 Years**
(21) Appl. No.: **29/418,778**
(22) Filed: **Apr. 20, 2012**

Related U.S. Application Data

(63) Continuation of application No. 29/375,197, filed on Sep. 17, 2010, now Pat. No. Des. 658,186.

(51) **LOC (9) Cl.** **14-02**
(52) **U.S. Cl.** **D14/440**
(58) **Field of Classification Search** D14/439,

D14/440, 345, 341-344, 346, 371, 125-129, D14/327, 248; 206/320, 576, 305, 215, 232, 206/524, 425, 472, 224, 312, 387.13, 307, 206/387.1, 756; D3/286, 283, 295, 273, D3/303, 247, 215, 245, 232, 900, 249, 201, D3/276, 294, 301, 319, 203.1, 323, 227; 224/929; 708/110; 190/109, 100, 119, 901; 361/683, 725, 681, 686, 679; 229/87.5, 67.1, 229/800; 220/522, 4.23; 345/169, 104, 156, 345/168, 173, 179, 672, 174; 150/147, 135; 402/2, 70-79, 500-502; 281/45, 38, 31, 281/29, 19.1, 34; D19/3, 26, 27, 33, 75, D19/86, 22, 90, 59, 60, 78, 83; D18/7, 17,

D18/18; 383/97, 4, 110; 178/18.03, 18.01; 349/12; 428/332; D6/632, 407, 596, 601, 310, 611, 502, 583, 582, 595; 248/458; D13/102, 184; D20/18, 27, 42; 40/654.01, 536; D15/122; D21/480, 690; D25/48; D12/401, 182, 203, 400, 191; D24/205, 206, 200, 188, 207, 212, 215; 280/808; 112/420; 5/420; 604/308; 601/15, 108, 112, 60, 64, 70, 71; 160/370.23, 370.21; D7/629, 392.1; D28/7, 8, 83, 84, 82; 15/118; D32/40; 424/443; 442/123; D23/304; D9/435

See application file for complete search history.

(56) **References Cited**

U.S. PATENT DOCUMENTS

144,315 A 11/1873 Cooper
(Continued)

OTHER PUBLICATIONS

Case-Parts, "Original Targus Folding Genuine Leather Case for Apple iPad with Built-in Holder," <http://www.case-parts.com/details/Original-Targus-Folding-Genuine-Leather-Case-for-Apple-iPad-with-Built-in-Holder-IPAD-570/photos.htm>, 3 pages.

(Continued)

Primary Examiner — Susan Moon Lee

(74) *Attorney, Agent, or Firm* — Sterne, Kessler, Goldstein & Fox PLLC

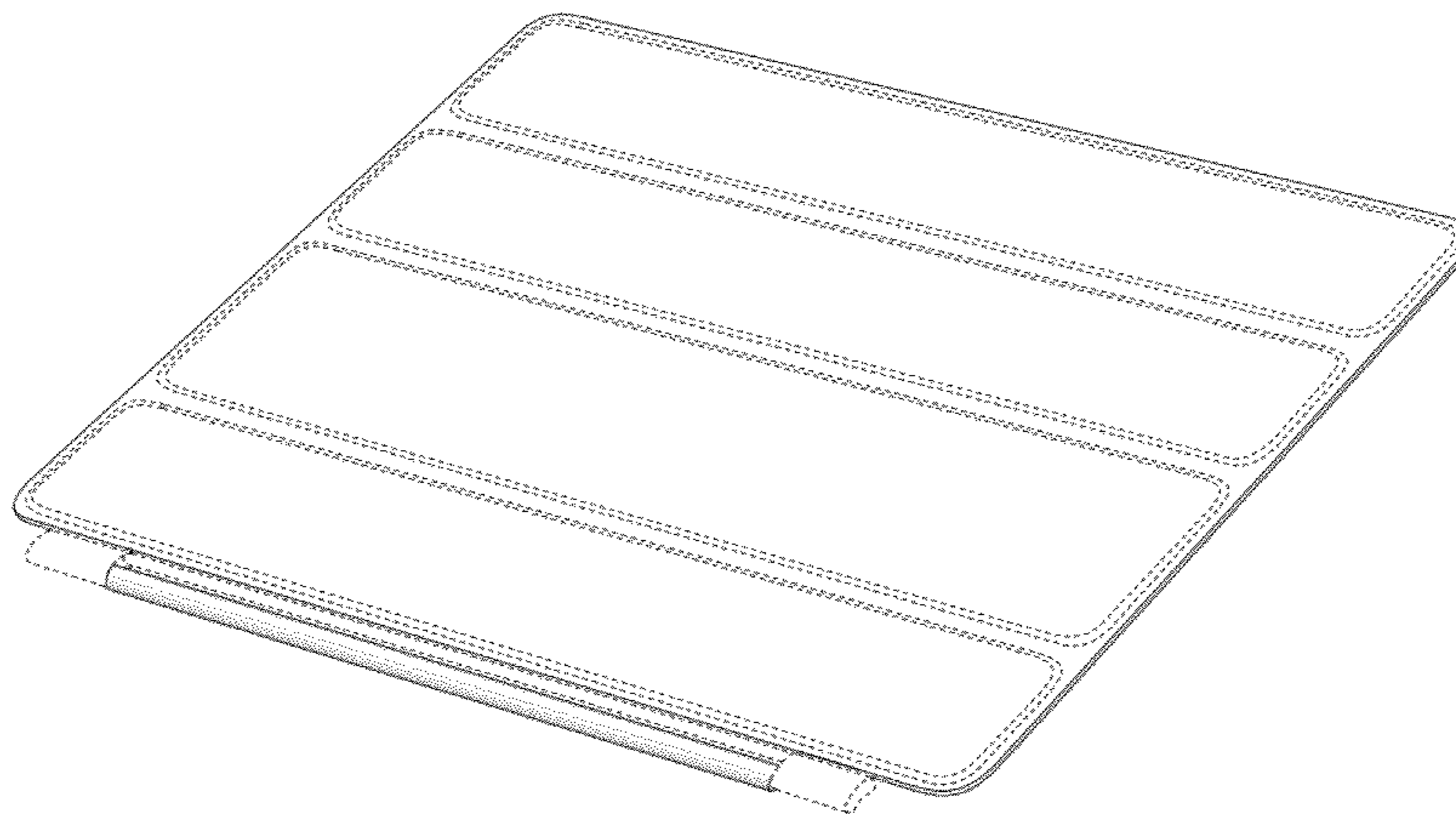
(57) **CLAIM**

The ornamental design for a cover, as shown and described.

DESCRIPTION

FIG. 1 is a front perspective view of a cover showing our new design;
FIG. 2 is a rear perspective view thereof;
FIG. 3 is a front view thereof;
FIG. 4 is a rear view thereof;
FIG. 5 is a bottom view thereof;
FIG. 6 is a top view thereof; and,
FIG. 7 is a side view thereof, the opposite side being a mirror image thereof.
The broken line portions are not claimed.
The shade lines in the Figures show contour and not surface ornamentation.

1 Claim, 6 Drawing Sheets



US D671,948 S

U.S. PATENT DOCUMENTS							
1,347,839	A	7/1920	Coons	5,439,101	A	8/1995	Brink et al.
1,356,593	A	10/1920	Bettiker	5,450,858	A	9/1995	Zablotsky et al.
1,659,395	A	2/1928	Douglas	D364,191	S	11/1995	Allen
D104,699	S	5/1937	Pilliod	5,480,192	A	1/1996	Angerbauer et al.
D123,984	S	12/1940	Pichel	5,487,566	A	1/1996	Hedge, Jr.
2,279,164	A	4/1942	Gettleman	D369,998	S	5/1996	Eskandry
D137,864	S	5/1944	Jolles	D370,177	S	5/1996	Bankier
D164,628	S	9/1951	Davis	D370,650	S	6/1996	Eskandry
D167,065	S	6/1952	Bohanan	5,566,871	A	10/1996	Weintraub
D167,743	S	9/1952	Dorfman	D383,213	S	9/1997	Ingram
2,631,046	A	3/1953	Stephens	D389,509	S	1/1998	Yasoshima
2,834,703	A	5/1958	Atkinson	D389,646	S	1/1998	Sankey et al.
2,983,431	A	5/1961	Turan	D390,007	S	2/1998	Ahern, Jr.
3,015,834	A	1/1962	Marrinson et al.	D391,298	S	2/1998	Johnson et al.
3,257,128	A	6/1966	Schneider	D405,200	S	2/1999	Hines
3,336,610	A	8/1967	Geddings	D406,463	S	3/1999	Rutledge
3,460,744	A	8/1969	Turkenkopf	5,887,723	A	3/1999	Myles et al.
3,587,578	A	6/1971	Walker	5,902,256	A	5/1999	Benaron
D222,602	S	11/1971	Petrie	D411,353	S	6/1999	Dickinson et al.
3,735,516	A	5/1973	Wenstrom	5,996,778	A	* 12/1999	Shih 206/45.2
3,758,065	A	9/1973	Ranseen	D418,867	S	1/2000	Platte, III
3,797,146	A	3/1974	Holes	6,122,785	A	9/2000	Bondie et al.
D232,825	S	9/1974	Gerber	D432,477	S	10/2000	Gorodetsky
3,970,332	A	7/1976	Alford, Jr.	D435,171	S	12/2000	Anderson
D245,458	S	8/1977	Hauss et al.	D436,179	S	1/2001	Small
4,044,942	A	8/1977	Sherwood	D442,321	S	5/2001	Cheng
D251,082	S	2/1979	Petrie	D445,744	S	7/2001	Hsing
D255,523	S	6/1980	Yarabinec	D446,982	S	8/2001	Block
D255,524	S	6/1980	Yarabinec	6,289,968	B1	9/2001	Karten et al.
D258,723	S	3/1981	Cornou	D449,927	S	11/2001	Dorizas
4,310,117	A	1/1982	Gullett	6,388,872	B1	* 5/2002	Liao et al. 361/679.34
D265,561	S	* 7/1982	Cottrell D14/448	6,427,371	B2	8/2002	Olson et al.
4,416,375	A	* 11/1983	Braverman et al. 206/534.1	6,493,969	B2	12/2002	Devos
D274,493	S	7/1984	Dyby	D468,868	S	1/2003	Thorpe et al.
D275,153	S	8/1984	Weinreb	6,527,330	B1	3/2003	Steffens et al.
4,520,958	A	6/1985	Jones et al.	D473,939	S	4/2003	Hantke et al.
4,566,720	A	1/1986	Goldman et al.	D473,940	S	4/2003	Hantke et al.
D283,231	S	4/1986	Bradenburger	6,539,653	B1	4/2003	Finke
4,592,358	A	6/1986	Westplate	6,568,005	B2	5/2003	Fleming et al.
4,621,729	A	11/1986	Jackson	D480,971	S	10/2003	DeLuca et al.
4,629,070	A	12/1986	Roberg	6,634,691	B2	10/2003	Henderson
4,643,544	A	2/1987	Loughran	D484,736	S	1/2004	Sarnoff
4,671,334	A	6/1987	Yadegar et al.	D485,837	S	* 1/2004	Tseng et al. D14/345
4,693,495	A	9/1987	LaPointe	D487,521	S	3/2004	Link
D293,428	S	12/1987	Watts	D487,551	S	3/2004	Lee
D296,006	S	5/1988	Asche	6,702,359	B2	3/2004	Armstrong et al.
D297,228	S	8/1988	Harpaz et al.	6,763,942	B1	7/2004	Yeh
4,787,766	A	11/1988	Lorsch	D494,469	S	8/2004	Solowiejko
4,877,074	A	10/1989	Castellano	6,772,879	B1	8/2004	Domotor
D306,438	S	* 3/1990	Garmon et al. D14/440	D496,322	S	9/2004	Farney et al.
D306,850	S	3/1990	Beedy	D498,308	S	11/2004	Mock
D308,760	S	6/1990	King	D505,041	S	5/2005	Lesosky
D310,987	S	10/1990	Law et al.	6,887,486	B2	5/2005	Gregoire
D311,688	S	10/1990	Hodge	D511,838	S	11/2005	Vedra
D312,130	S	11/1990	Jones	D521,553	S	5/2006	Sterman
D312,214	S	11/1990	Hodge	7,037,021	B2	5/2006	Raschke
D312,835	S	12/1990	Holm	D527,535	S	9/2006	Sturba et al.
D313,964	S	1/1991	Fuller	D533,347	S	12/2006	Andre et al.
5,000,319	A	3/1991	Mermelstein	D538,096	S	3/2007	Bartell et al.
D317,329	S	6/1991	Annand	D538,575	S	3/2007	Bartell et al.
D318,372	S	7/1991	Mackey	D544,922	S	6/2007	Shaffer
D319,016	S	8/1991	Kahl	7,227,741	B2	* 6/2007	Garel et al. 361/679.27
D320,274	S	9/1991	Douglas	7,236,357	B2	* 6/2007	Chen 361/679.55
D321,091	S	10/1991	Dickinson	D548,782	S	8/2007	Nash
D321,761	S	11/1991	Shimizu	D550,137	S	9/2007	Kraines
5,066,158	A	11/1991	Huang	D551,265	S	9/2007	Brinson
5,092,354	A	3/1992	Pacelli, Jr.	D553,410	S	10/2007	Kramer
D325,637	S	4/1992	O'Brien et al.	D557,347	S	12/2007	Nishimoto
D327,046	S	6/1992	Eskandry et al.	D560,383	S	1/2008	Woods
D329,747	S	9/1992	Embree	7,318,521	B2	1/2008	Lau
D331,191	S	11/1992	Ventola et al.	7,322,063	B2	1/2008	Esimai
5,179,944	A	1/1993	McSymytz	D564,223	S	3/2008	Messineo
D341,373	S	11/1993	Stern	D565,196	S	3/2008	Mock et al.
D345,014	S	3/1994	Huffman	D566,111	S	4/2008	Nakagawa
D352,357	S	11/1994	Ashley	D572,709	S	7/2008	Nakagawa et al.
D356,120	S	3/1995	Allen	7,398,868	B2	7/2008	Morszeck
5,431,449	A	7/1995	Arimoto et al.	D574,385	S	* 8/2008	Koh et al. D14/440
D360,778	S	8/1995	Apt, III et al.	D574,836	S	* 8/2008	Koh et al. D14/440
				D574,962	S	8/2008	Atkins et al.

US D671,948 S

Page 3

7,435,103 B2	10/2008	Ma	D628,706 S	12/2010	Usui et al.
D581,857 S	12/2008	Bogard	D629,195 S	12/2010	Jusic
D581,859 S	12/2008	Bogard	D629,914 S	12/2010	Hunter
D581,865 S	12/2008	Koza	D631,912 S	2/2011	Epstein
D582,047 S	12/2008	Yim	D632,660 S	2/2011	Donowho et al.
D582,475 S	12/2008	Guest	D633,388 S	3/2011	Andre et al.
D583,479 S	12/2008	Yim	D633,673 S	3/2011	McKnight
D583,959 S	12/2008	Yim	D633,879 S	3/2011	Heng et al.
D584,141 S	1/2009	Smith et al.	D635,135 S	3/2011	Li
D584,612 S	1/2009	Ianello	D635,564 S	4/2011	Li
D587,797 S	3/2009	Blanchard	D637,399 S	5/2011	Romero et al.
D587,812 S	3/2009	Uchiyama et al.	D638,526 S	5/2011	Newman
D592,402 S	5/2009	Ahlgrim et al.	D638,627 S	5/2011	Romero et al.
D596,305 S	7/2009	Usui et al.	D640,089 S	6/2011	Green et al.
D597,302 S	8/2009	Adams et al.	D641,720 S	7/2011	Heng et al.
D599,286 S	9/2009	Horito et al.	D643,433 S *	8/2011	Hsieh et al. D14/440
D599,484 S	9/2009	Gray et al.	D658,186 S *	4/2012	Akana et al. D14/440
D599,761 S	9/2009	Birsel et al.	D658,187 S *	4/2012	Diebel D14/440
D599,959 S	9/2009	Washington	D658,188 S *	4/2012	Diebel D14/440
D600,699 S	9/2009	Johnston et al.	D662,100 S *	6/2012	Van Den Nieuwenhuizen et al. D14/440
7,584,841 B2	9/2009	Chan et al.	D663,304 S *	7/2012	Akana et al. D14/440
D601,369 S	10/2009	Mock et al.	2003/0104036 A1 *	6/2003	Gregoire 424/443
D602,598 S	10/2009	Yim	2005/0001021 A1	1/2005	Hutchinson
D603,906 S	11/2009	Miller et al.	2005/0021114 A1	1/2005	Hidaka
D604,727 S	11/2009	Chu et al.	2005/0087274 A1 *	4/2005	Ouyang 150/154
D605,940 S	12/2009	Lin	2005/0246851 A1	11/2005	Cline
D606,119 S	12/2009	Miller et al.	2006/0103272 A1 *	5/2006	Chen et al. 312/223.2
D606,120 S	12/2009	Miller et al.	2007/0014079 A1 *	1/2007	Chen 361/679
D606,121 S	12/2009	Miller et al.	2007/0279855 A1 *	12/2007	Linsmeier et al. 361/683
D607,253 S	1/2010	McCammon	2008/0167095 A1	7/2008	Kim et al.
D607,255 S	1/2010	Sunseri	2008/0174946 A1 *	7/2008	Chen et al. 361/683
7,643,274 B2	1/2010	Bekele	2009/0000169 A1	1/2009	Houssain et al.
D609,360 S	2/2010	Yim	2009/0017883 A1	1/2009	Lin
D609,912 S	2/2010	Kyono et al.	2009/0107858 A1	4/2009	Huang
D613,062 S	4/2010	Romero et al.	2009/0159763 A1 *	6/2009	Kim 248/174
D613,982 S	4/2010	Wilson et al.	2009/0194209 A1	8/2009	De Filippis et al.
D616,930 S	6/2010	Engel et al.	2010/0122924 A1	5/2010	Andrews
7,735,644 B2	6/2010	Sirichai et al.	2011/0162987 A1 *	7/2011	Bekele 206/320
D620,122 S	7/2010	Cotton	2012/0147541 A1 *	6/2012	Chen et al. 361/679.21
D620,877 S	8/2010	Rusher et al.			
D622,061 S	8/2010	Higginson			
D623,940 S	9/2010	Ianello			
D624,615 S	9/2010	Kusmierz			
D627,078 S	11/2010	Matsuo et al.			
D627,117 S	11/2010	Hale			
D627,775 S	11/2010	Li			
D628,004 S	11/2010	Moorefield			
D628,132 S	11/2010	Grzyb et al.			
D628,197 S	11/2010	Li			
D628,705 S	12/2010	Usui et al.			

OTHER PUBLICATIONS

Incase, "Introducing the Convertible Magazine Jacket for iPad," goincase.com, accessed at <http://goincasing.com/blog/2010/11/23/introducing-the-convertible-magazine-jacket-for-ipad/>, posted Nov. 23, 2010, 7 pages.

* cited by examiner

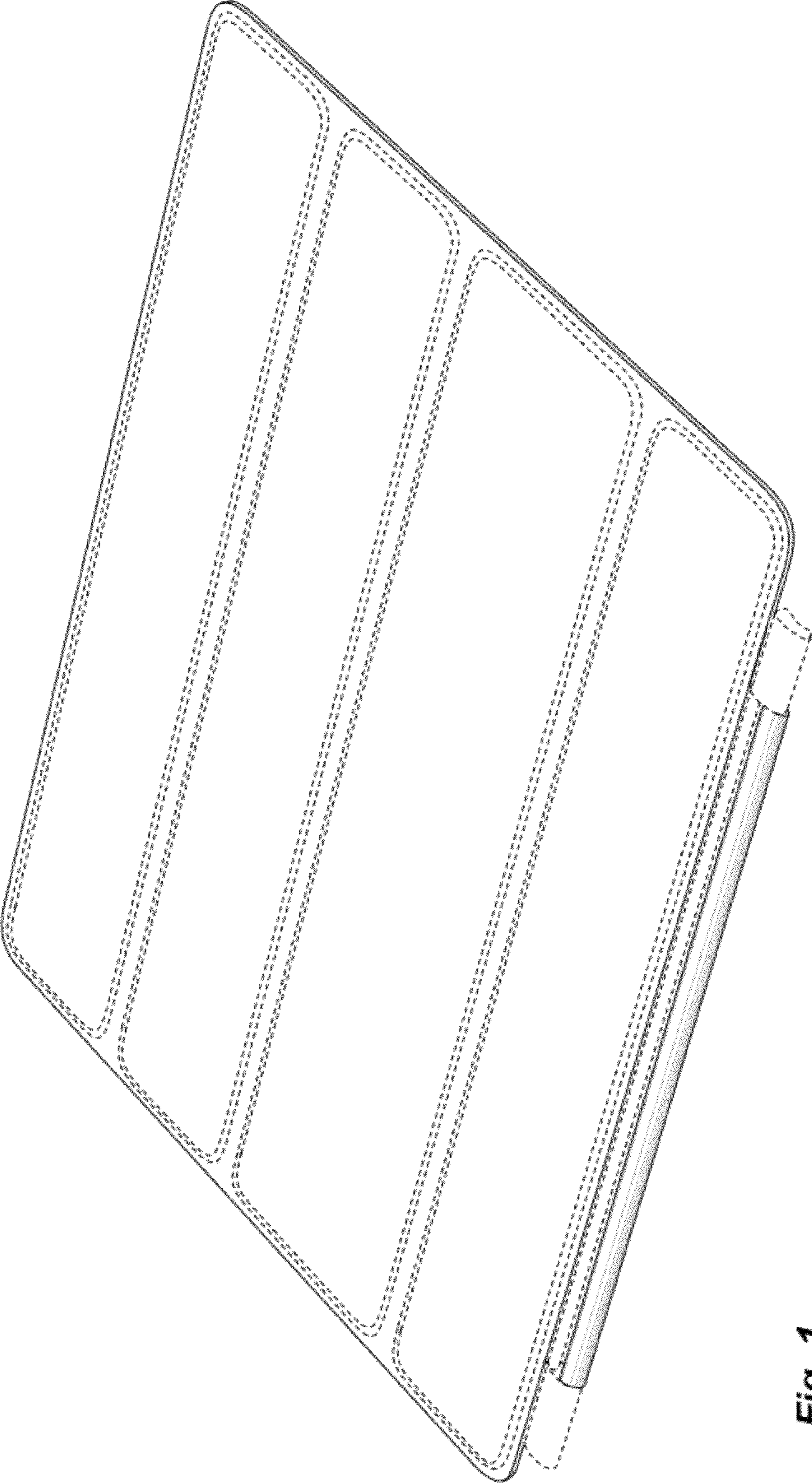


Fig. 1

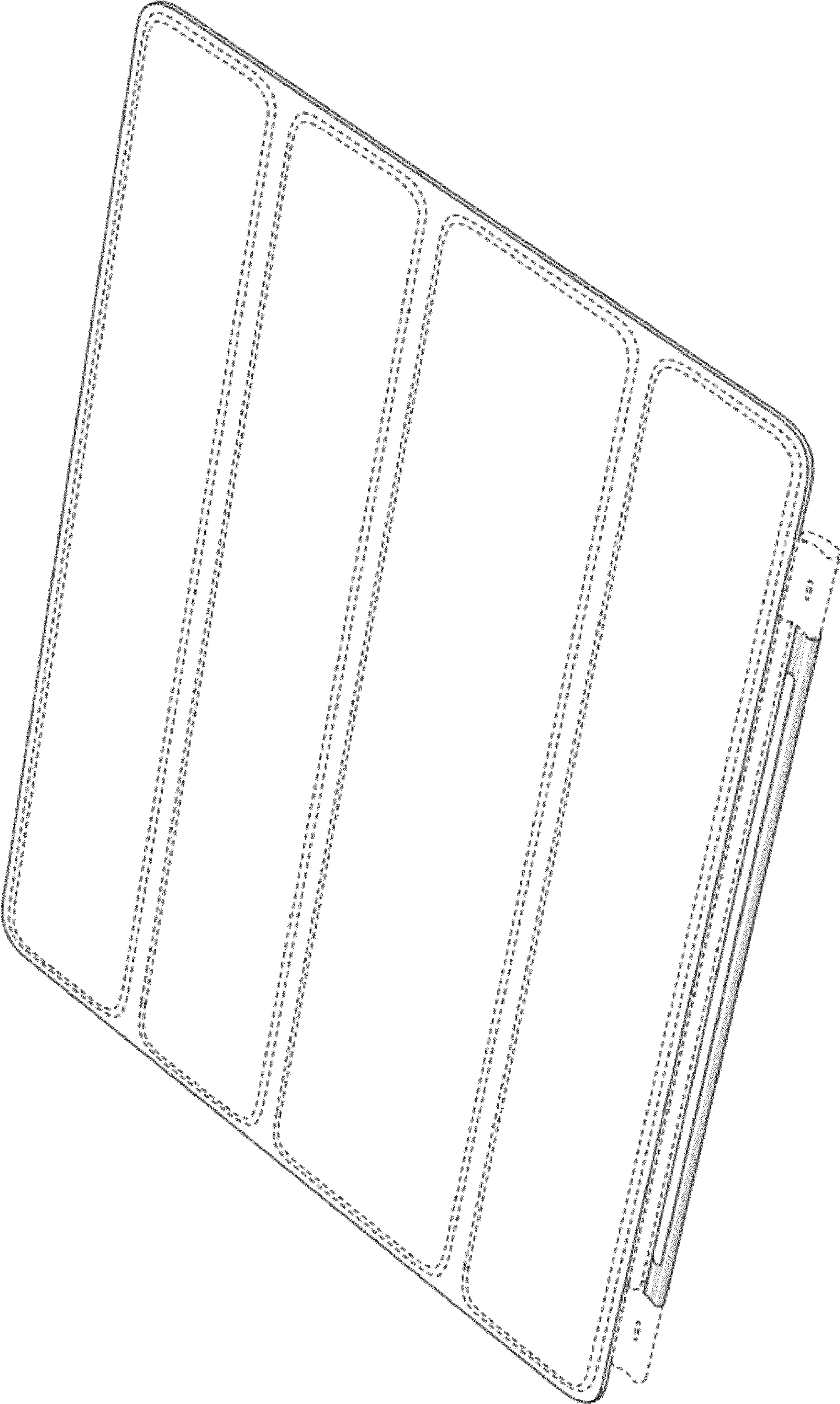


Fig. 2



Fig. 3

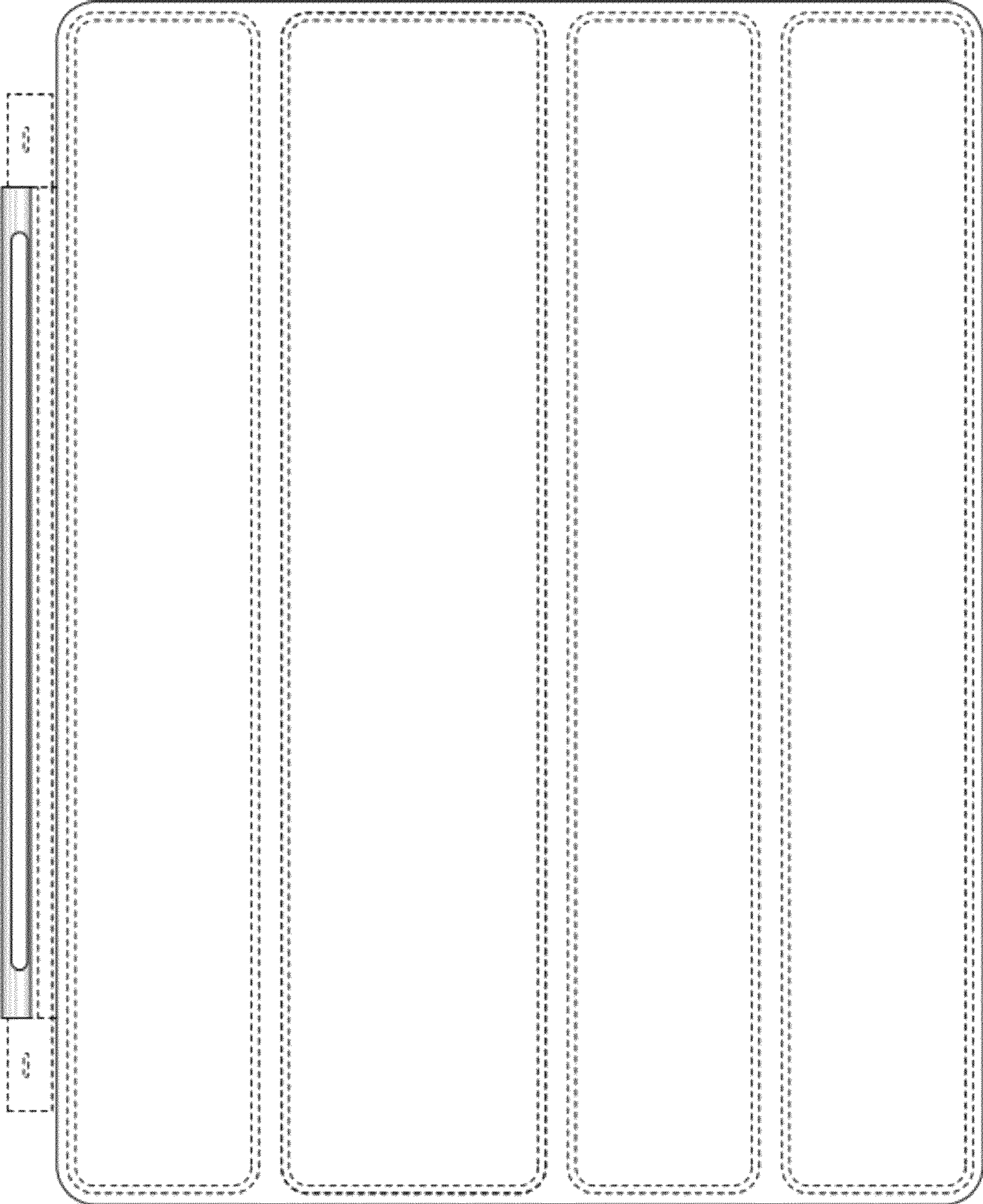


Fig. 4



Fig. 5



Fig. 6



Fig. 7