



US00D671947S

(12) **United States Design Patent**
Akana et al.

(10) **Patent No.:** **US D671,947 S**
(45) **Date of Patent:** **** Dec. 4, 2012**

(54) **HOUSING FOR AN ELECTRONIC DEVICE**

(75) Inventors: **Jody Akana**, San Francisco, CA (US); **Bartley K. Andre**, Menlo Park, CA (US); **Jeremy Bataillou**, San Francisco, CA (US); **Sean Stewart Corbin**, San Jose, CA (US); **Daniel J. Coster**, San Francisco, CA (US); **Daniele De Iuliis**, San Francisco, CA (US); **Jeremy Contini Franklin**, San Francisco, CA (US); **Kevin David Gibbs**, Menlo Park, CA (US); **Evans Hankey**, San Francisco, CA (US); **Julian Hoenig**, San Francisco, CA (US); **Richard P. Howarth**, San Francisco, CA (US); **Jonathan P. Ive**, San Francisco, CA (US); **Duncan Robert Kerr**, San Francisco, CA (US); **Stephen McClure**, San Francisco, CA (US); **Shin Nishibori**, Portola Valley, CA (US); **Matthew Dean Rohrbach**, San Francisco, CA (US); **Peter Russell-Clarke**, San Francisco, CA (US); **Christopher J. Stringer**, Woodside, CA (US); **Eugene Antony Whang**, San Francisco, CA (US); **Rico Zorkendorfer**, San Francisco, CA (US)

(73) Assignee: **Apple Inc.**, Cupertino, CA (US)

(**) Term: **14 Years**

(21) Appl. No.: **29/385,793**

(22) Filed: **Feb. 18, 2011**

(51) **LOC (9) Cl.** **14-02**

(52) **U.S. Cl.** **D14/439**

(58) **Field of Classification Search** D14/341-347, D14/424, 425, 432-453, 464, 468, 469, 471, D14/438, 496, 511, 138 AA, 138 AD, 138 C, D14/138 G, 203.1-203.8, 217, 238.1, 248, D14/250, 257, 299; 361/679.01, 679.02, 361/679.03, 679.3, 679.55, 679.56; 455/550.1, 455/556.1, 556.2, 575.1, 575.3-575.5, 575.8, 455/90.3

See application file for complete search history.

(56) **References Cited**

U.S. PATENT DOCUMENTS

D30,079	S	*	1/1899	Sametz	D9/700
2,968,176	A	*	1/1961	Collings	70/456 R
D305,717	S		1/1990	Soren et al.		
D306,583	S		3/1990	Krolopp et al.		
D309,293	S	*	7/1990	Helbig, Jr.	D14/346
D332,328	S		1/1993	Lombardi, Jr.		
5,180,644	A	*	1/1993	Bresin et al.	429/98

(Continued)

FOREIGN PATENT DOCUMENTS

EM 001767435-0001 10/2010

(Continued)

OTHER PUBLICATIONS

U.S. Appl. No. 29/376,056, Akana et al., "Housing for an Electronic Device," filed Sep. 30, 2010.

(Continued)

Primary Examiner — Deanna L Fluegeman

(74) *Attorney, Agent, or Firm* — Sterne, Kessler, Goldstein & Fox PLLC

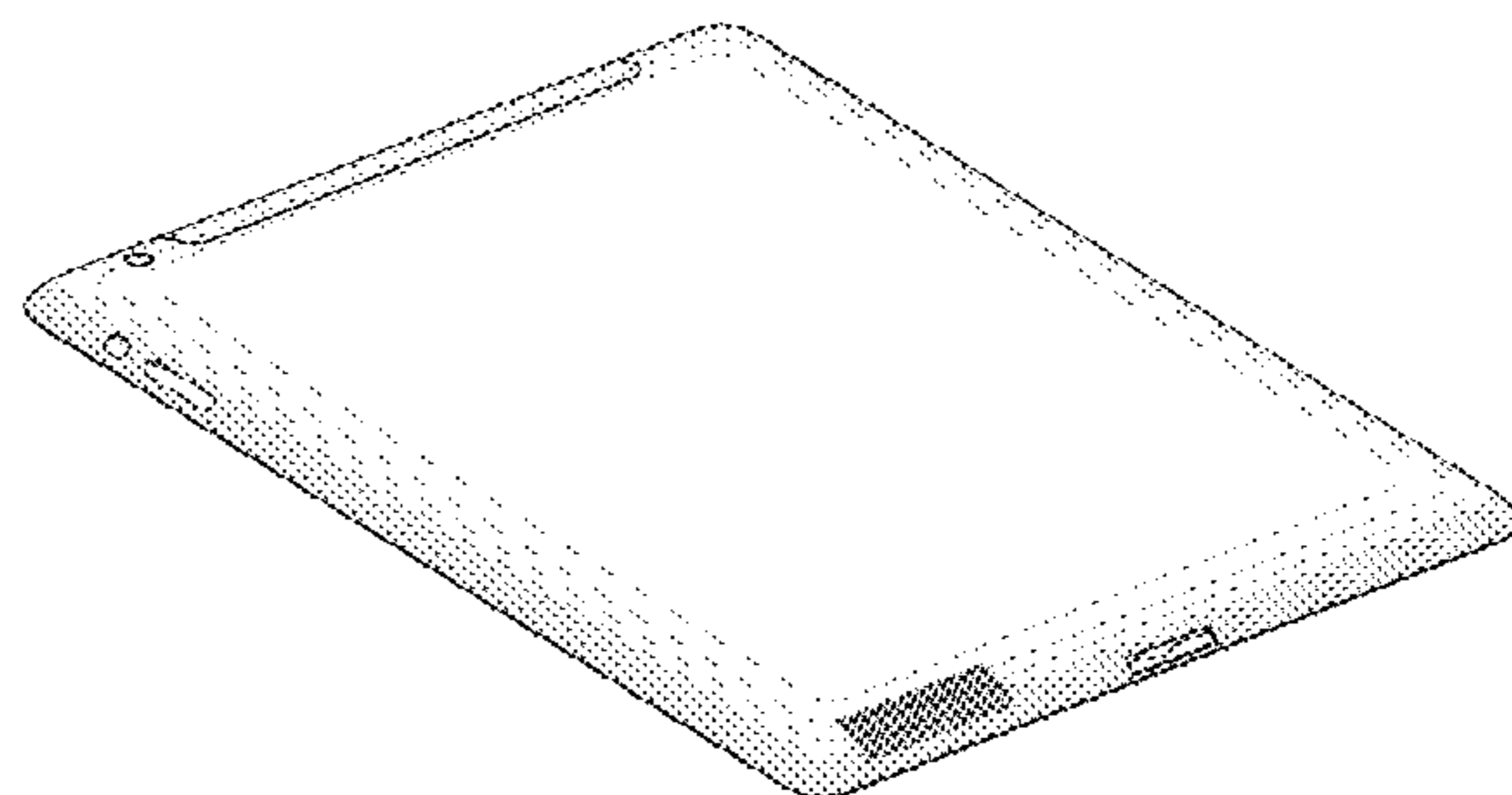
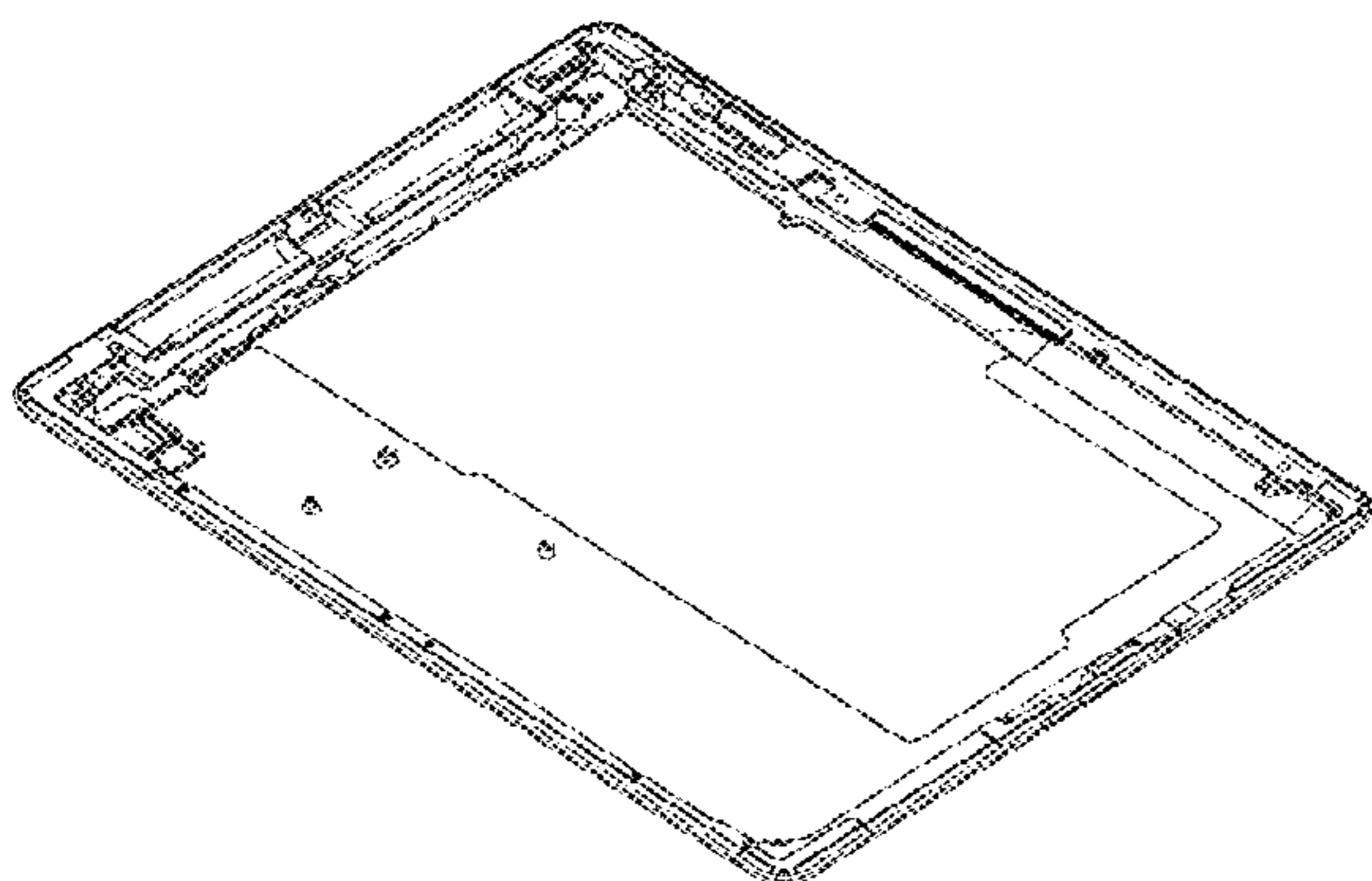
(57) **CLAIM**

The ornamental design for a housing for an electronic device, as shown and described.

DESCRIPTION

FIG. 1 is a bottom front perspective view of a housing for an electronic device showing our new design; FIG. 2 is a bottom rear perspective view thereof; FIG. 3 is a front view thereof; FIG. 4 is a rear view thereof; FIG. 5 is a left side view thereof; FIG. 6 is a right side view thereof; FIG. 7 is a top view thereof; and, FIG. 8 is a bottom view thereof. The shade lines in the Figures show contour and not surface ornamentation.

1 Claim, 6 Drawing Sheets



U.S. PATENT DOCUMENTS

D340,917	S	11/1993	Sakaguchi et al.	
5,703,626	A	12/1997	Itoh et al.	
D412,157	S	7/1999	Stevenson	
6,094,340	A	7/2000	Min	
6,276,655	B1 *	8/2001	Byoun	361/679.27
D453,930	S *	2/2002	Vuolteenaho et al.	D14/248
D454,868	S *	3/2002	Vuolteenaho et al.	D14/248
D461,802	S	8/2002	Tu	
D474,163	S	5/2003	Araki	
D494,971	S	8/2004	Jobs et al.	
D500,037	S	12/2004	Ozolins et al.	
D504,889	S	5/2005	Andre et al.	
D574,819	S *	8/2008	Andre et al.	D3/269
D599,342	S *	9/2009	Andre et al.	D14/341
D599,736	S	9/2009	Ferber et al.	
D600,241	S *	9/2009	Andre et al.	D14/341
D602,017	S *	10/2009	Andre et al.	D14/341
D602,488	S	10/2009	Jiang et al.	
D604,289	S	11/2009	Andre et al.	
D604,292	S	11/2009	Andre et al.	
D604,733	S	11/2009	Andre et al.	
D606,988	S	12/2009	Andre et al.	
D608,763	S *	1/2010	Andre et al.	D14/203.7
D609,226	S *	2/2010	Hofer et al.	D14/248
D609,705	S	2/2010	Andre et al.	
D611,469	S	3/2010	Andre et al.	
7,688,574	B2 *	3/2010	Zadesky et al.	361/679.21
D614,161	S *	4/2010	Andre et al.	D14/203.7
D614,162	S *	4/2010	Andre et al.	D14/203.7
7,697,281	B2 *	4/2010	Dabov et al.	361/679.55
D615,554	S *	5/2010	Andre et al.	D14/496
D617,792	S *	6/2010	Andre et al.	D14/341
D618,241	S	6/2010	Akana et al.	
D618,242	S	6/2010	Akana et al.	
D619,361	S *	7/2010	Andre et al.	D3/269
D620,004	S	7/2010	Andre et al.	
D622,514	S	8/2010	Park et al.	
D622,716	S *	8/2010	Andre et al.	D14/250
D622,718	S *	8/2010	Andre et al.	D14/341
D624,536	S *	9/2010	Andre et al.	D14/341
D625,303	S *	10/2010	Kim	D14/250
D627,777	S	11/2010	Akana et al.	
D630,207	S	1/2011	Seong	
D630,630	S *	1/2011	Andre et al.	D14/341
D631,474	S	1/2011	Green et al.	
D632,688	S	2/2011	Seong	
D633,090	S *	2/2011	Andre et al.	D14/341
D633,092	S	2/2011	Andre et al.	
D636,770	S	4/2011	Li	
7,933,123	B2 *	4/2011	Wang et al.	361/679.56
D637,596	S	5/2011	Akana et al.	
D641,018	S *	7/2011	Lee et al.	D14/341

D642,563	S *	8/2011	Akana et al.	D14/341
D645,833	S	9/2011	Seflic et al.	
D646,266	S *	10/2011	Kim et al.	D14/250
D650,381	S *	12/2011	Park et al.	D14/341
D651,606	S *	1/2012	Luijben	D14/447
8,106,836	B2 *	1/2012	Hill et al.	343/702
D654,497	S	2/2012	Lee	
D656,136	S	3/2012	Lee	
D657,782	S *	4/2012	Biller	D14/250
D659,692	S *	5/2012	Jung et al.	D14/341
2006/0237599	A1 *	10/2006	Ternus et al.	248/176.1
2008/0225468	A1 *	9/2008	Huang et al.	361/679
2009/0067141	A1 *	3/2009	Dabov et al.	361/753
2009/0256759	A1 *	10/2009	Hill et al.	343/702
2010/0061055	A1 *	3/2010	Dabov et al.	361/679.56
2010/0142134	A1 *	6/2010	Zadesky et al.	361/679.01
2010/0146766	A1 *	6/2010	Dabov et al.	29/428
2011/0050560	A1 *	3/2011	Foster et al.	345/107
2011/0088838	A1 *	4/2011	Thompson et al.	156/273.3
2011/0164365	A1 *	7/2011	McClure et al.	361/679.3
2011/0166690	A1 *	7/2011	Ternus et al.	700/117
2011/0180557	A1 *	7/2011	Kenney	220/669
2011/0299231	A1 *	12/2011	Gaddis et al.	361/679.01
2012/0044123	A1 *	2/2012	Rothkopf et al.	343/878
2012/0048589	A1 *	3/2012	Jol	174/59
2012/0051025	A1 *	3/2012	Jol et al.	361/818
2012/0097412	A1 *	4/2012	Wennemer et al.	174/50

FOREIGN PATENT DOCUMENTS

EM	001802315-0001	1/2011
JP	1142127	5/2002
JP	1250487	9/2005
KR	30-0598021	5/2011

OTHER PUBLICATIONS

Apple's Reply in Support of its Motion for a Preliminary Injunction (Redacted), p. 11 *Apple Inc. v. Samsung Electronics Co., Ltd.*, United States District Court, Northern District of California, San Jose Division, Case. No. 11-cv-01846-LHK, dated Oct. 13, 2011, 38 pages total.

Co-pending U.S. Appl. No. 29/386,208, Akana et al., "Housing for an Electronic Device," filed Feb. 25, 2011 (not published).

Arrington, M., TechCrunch, "We Want A Dead Simple Web Tablet For \$200. Help Us Build It.," (<http://techcrunch.com/2008/07/21/we-want-a-dead-simple-web-tablet-help-us-build-it/>), published Jul. 21, 2008, 4 pages.

My Burmese Blog, "Apple Touch Screen Netbook Prototypes Hit The Web," (<http://www.htootayzar.com/myblog/2009/03/apple-touch-screen-netbook-prototypes-hit-the-web/>), published Mar. 12, 2009, 10 pages.

* cited by examiner

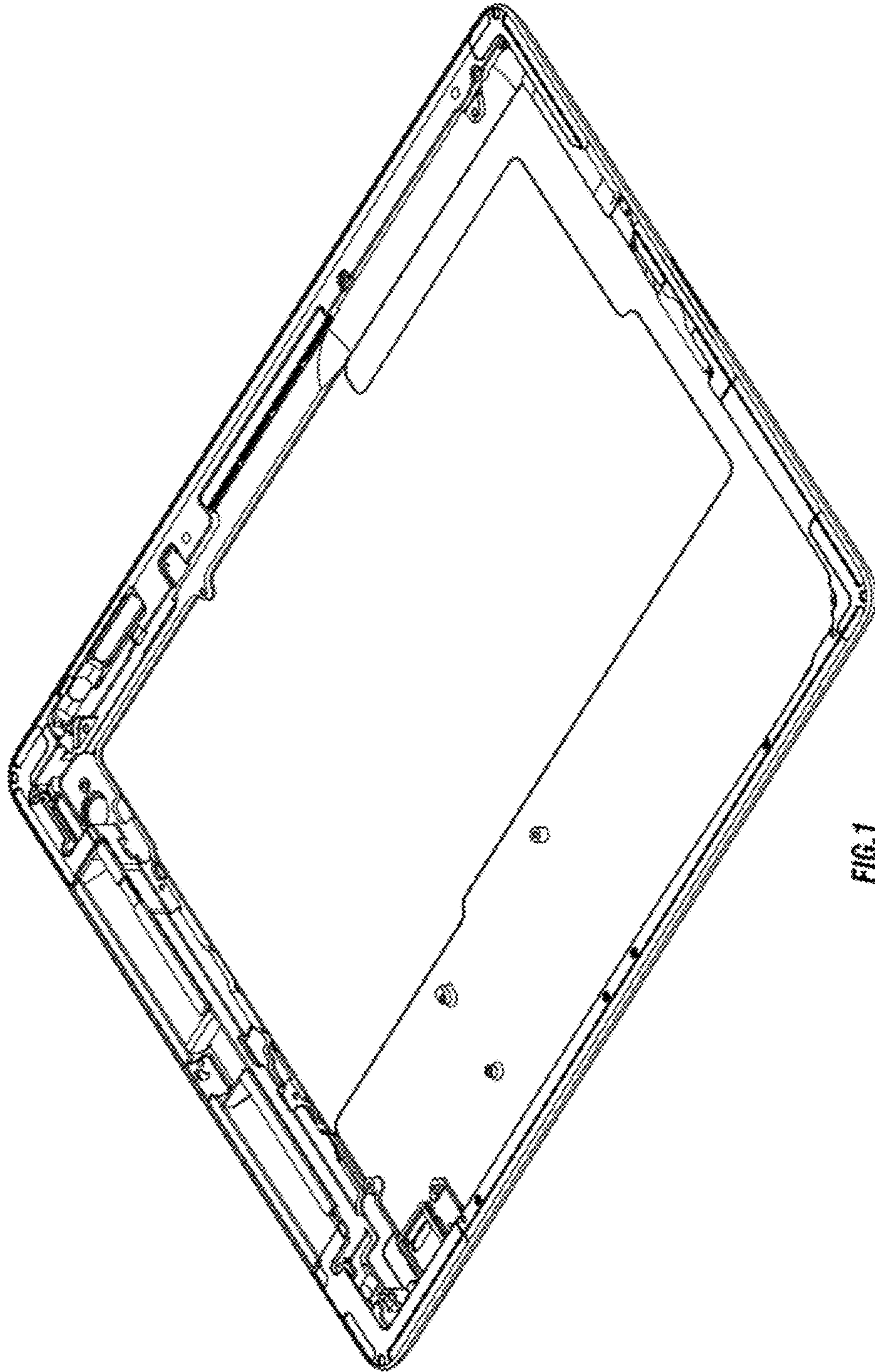


FIG. 1

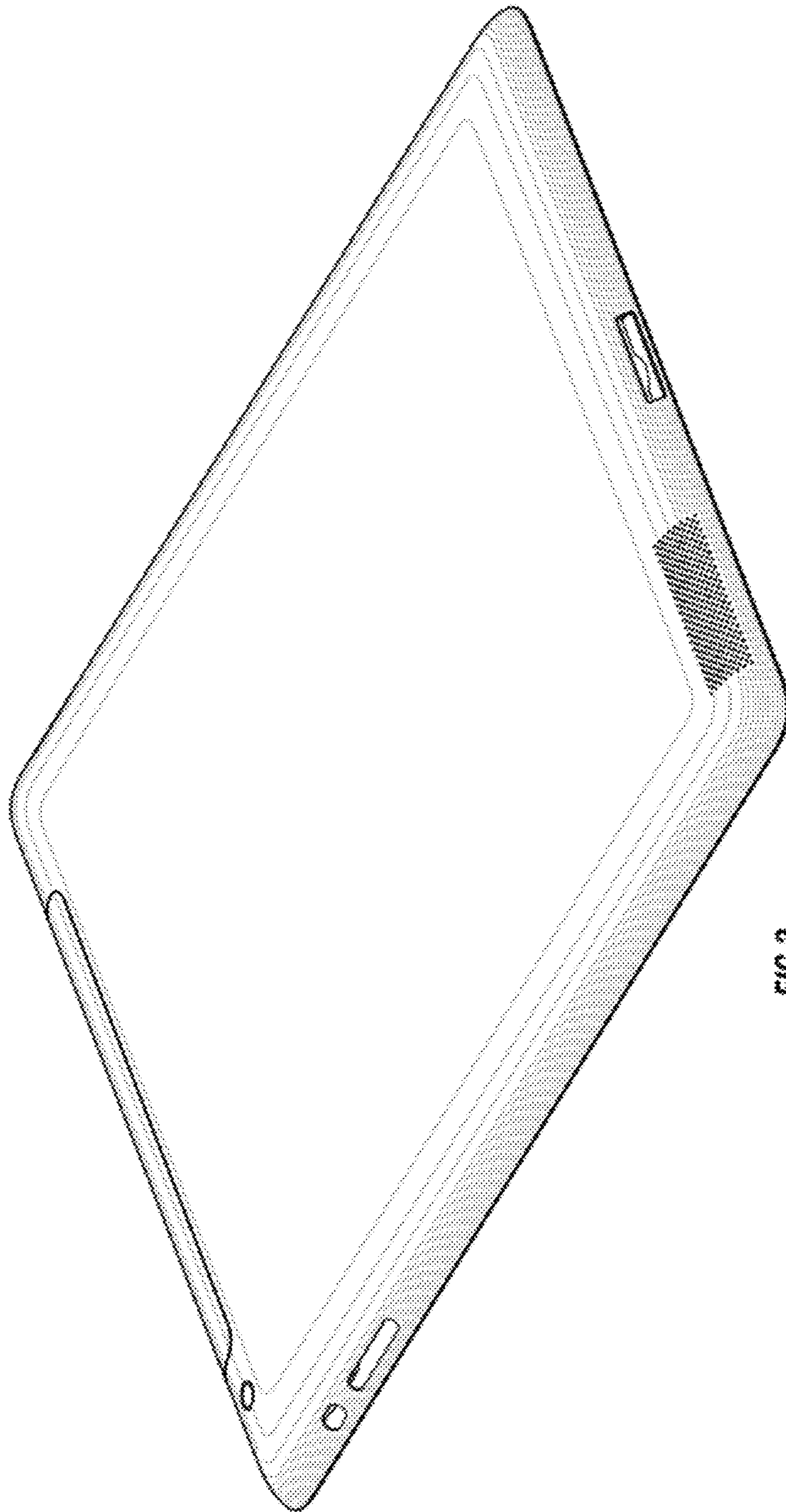


FIG. 2

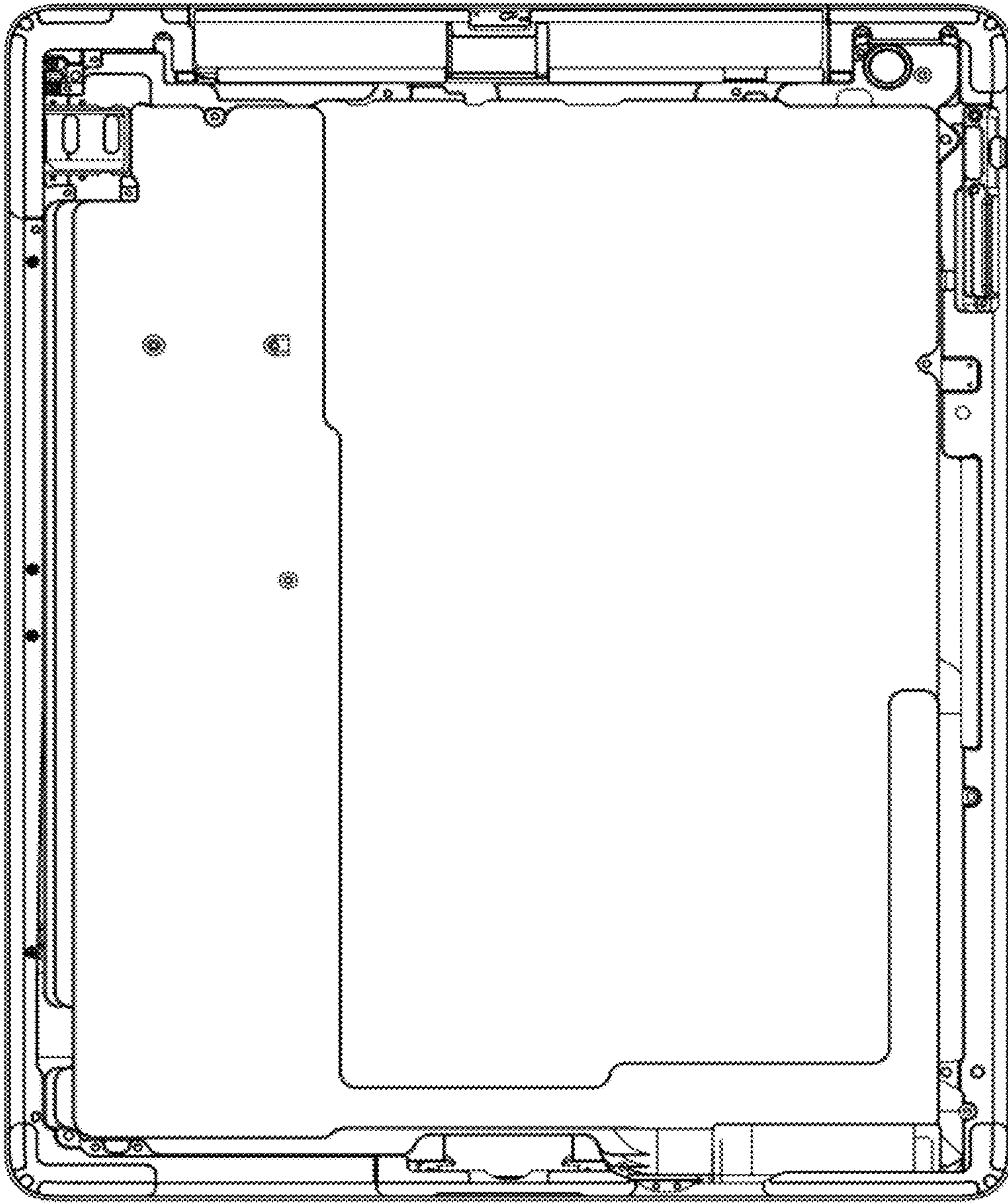


FIG.3

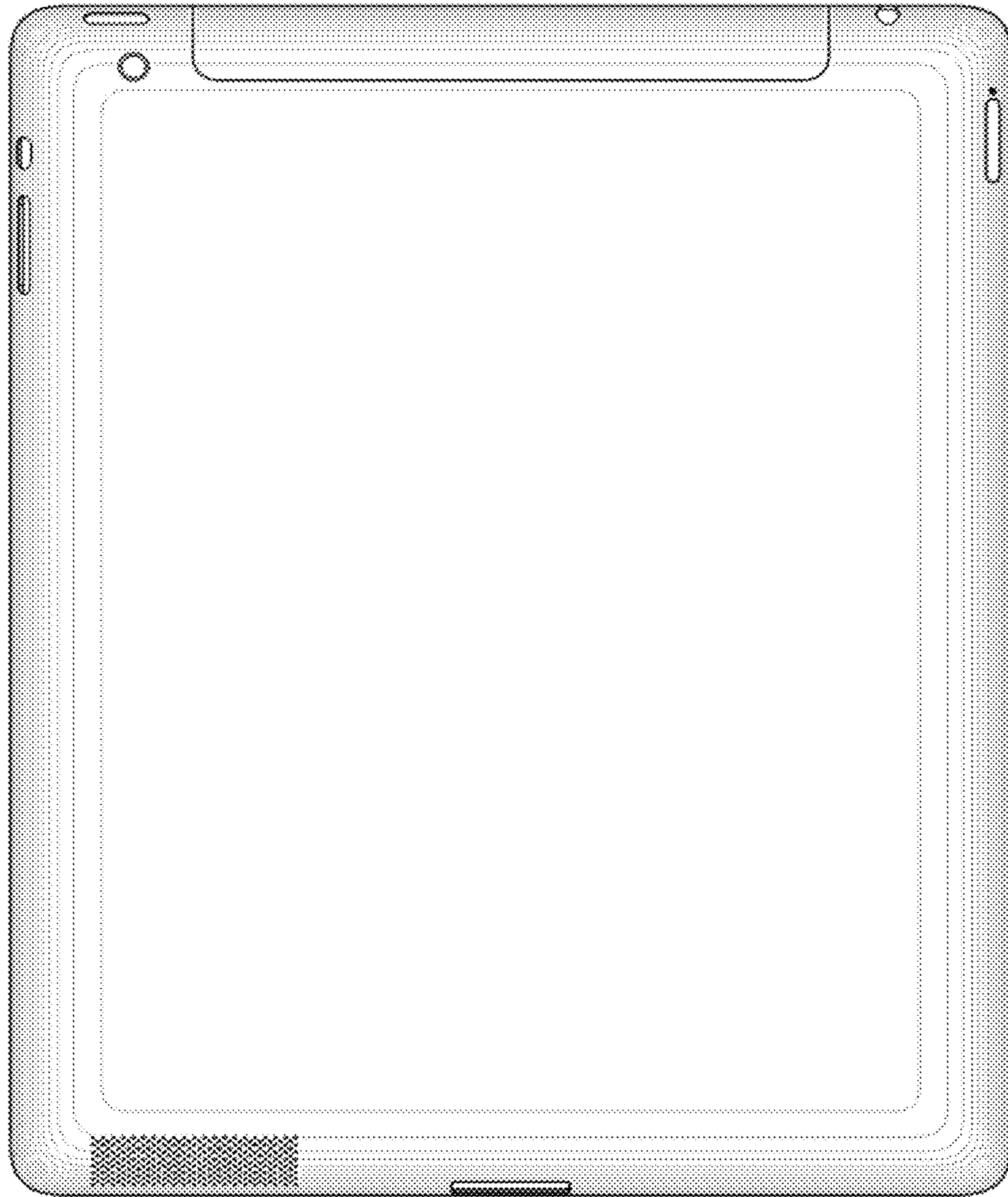


FIG. 4

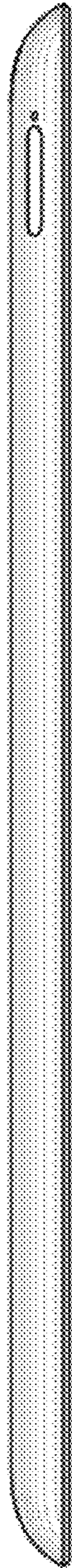


FIG. 5

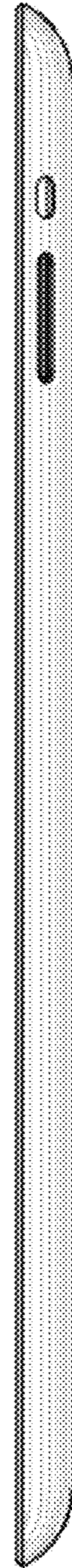


FIG. 6



FIG. 7



FIG. 8