

US00D671943S

(12) **United States Design Patent**  
**Dizac et al.**

(10) **Patent No.:** **US D671,943 S**

(45) **Date of Patent:** **\*\* Dec. 4, 2012**

(54) **MULTI-MODAL MOUSE**

(75) Inventors: **Greg Dizac**, Lausanne (CH); **Marten Helwig**, Wicklow (IE); **Peter Sheehan**, Wicklow (IE); **Cathal Loughnane**, Wexford (IE)

(73) Assignee: **Logitech Europe S.A.**, Morges (CH)

(\*\*) Term: **14 Years**

(21) Appl. No.: **29/401,142**

(22) Filed: **Sep. 7, 2011**

(51) **LOC (9) Cl.** ..... **14-02**

(52) **U.S. Cl.** ..... **D14/407**

(58) **Field of Classification Search** ..... D14/402-411,  
D14/356, 388, 389, 383-385, 417, 426;  
345/156-167; 463/36-38; 358/471, 473;  
273/148 B

See application file for complete search history.

(56) **References Cited**

U.S. PATENT DOCUMENTS

D125,487 S *	2/1941	Drake et al.	.....	D14/155
D229,519 S *	12/1973	Wood	.....	D27/187
D233,762 S *	11/1974	Suyama	.....	D14/155
D281,600 S *	12/1985	Claxton et al.	.....	D14/191
D291,310 S *	8/1987	Ogura	.....	D14/191
D293,088 S *	12/1987	Brown et al.	.....	D10/106.1
D304,309 S *	10/1989	Vories	.....	D10/106.1
D376,146 S *	12/1996	Totsch	.....	D14/155

D383,732 S *	9/1997	Haley et al.	.....	D14/435
D534,535 S *	1/2007	Tzeng et al.	.....	D14/407
D583,796 S *	12/2008	Tanaka	.....	D14/155
D590,399 S *	4/2009	Chen	.....	D14/407
D597,063 S *	7/2009	Camarella	.....	D14/167
D635,142 S *	3/2011	Borislow	.....	D14/435.1
D643,429 S *	8/2011	Ferwerda	.....	D14/407
D662,096 S *	6/2012	Yu	.....	D14/407

\* cited by examiner

*Primary Examiner* — Austin Murphy

(74) *Attorney, Agent, or Firm* — Kilpatrick Townsend & Stockton LLP

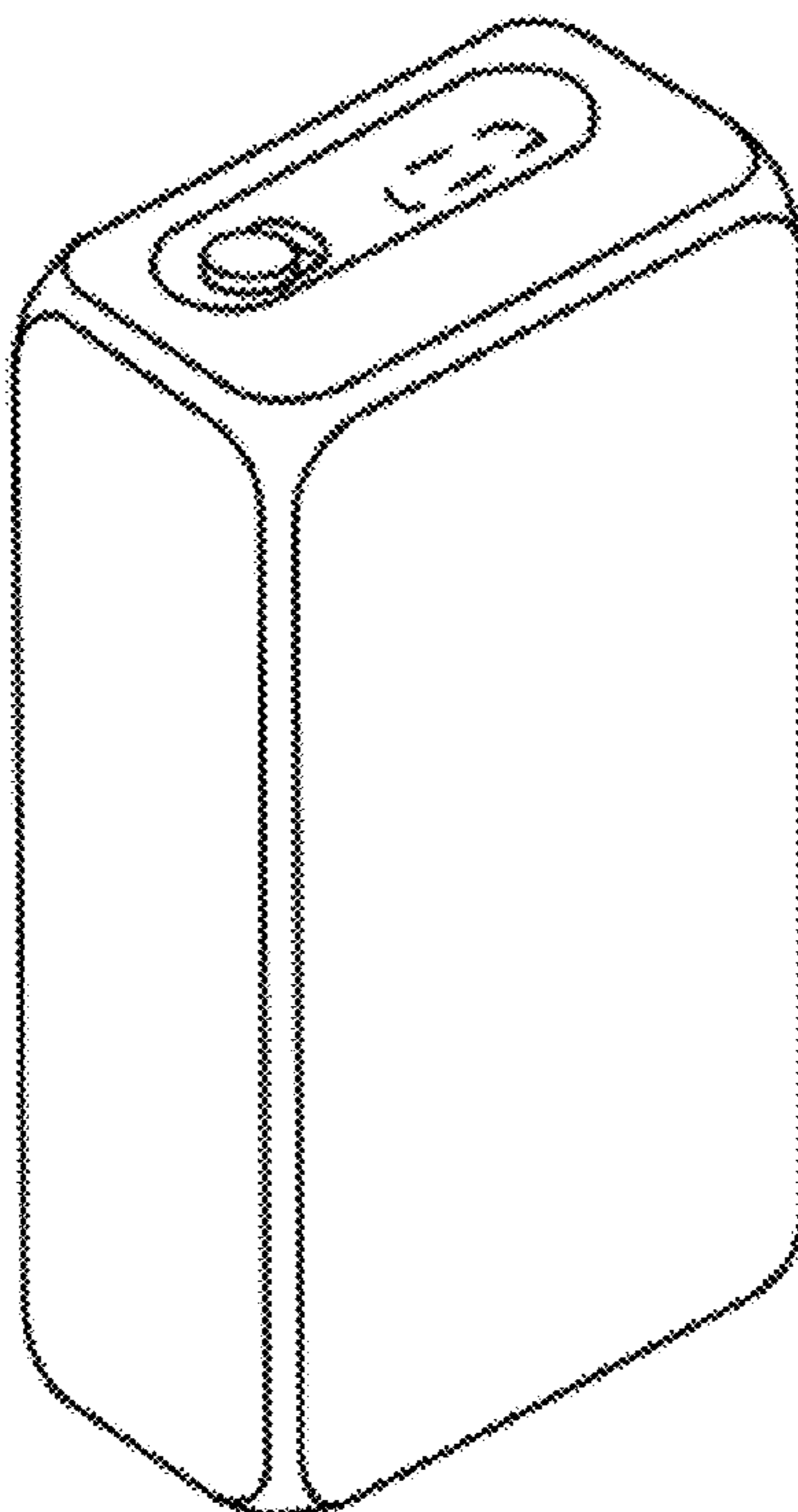
(57) **CLAIM**

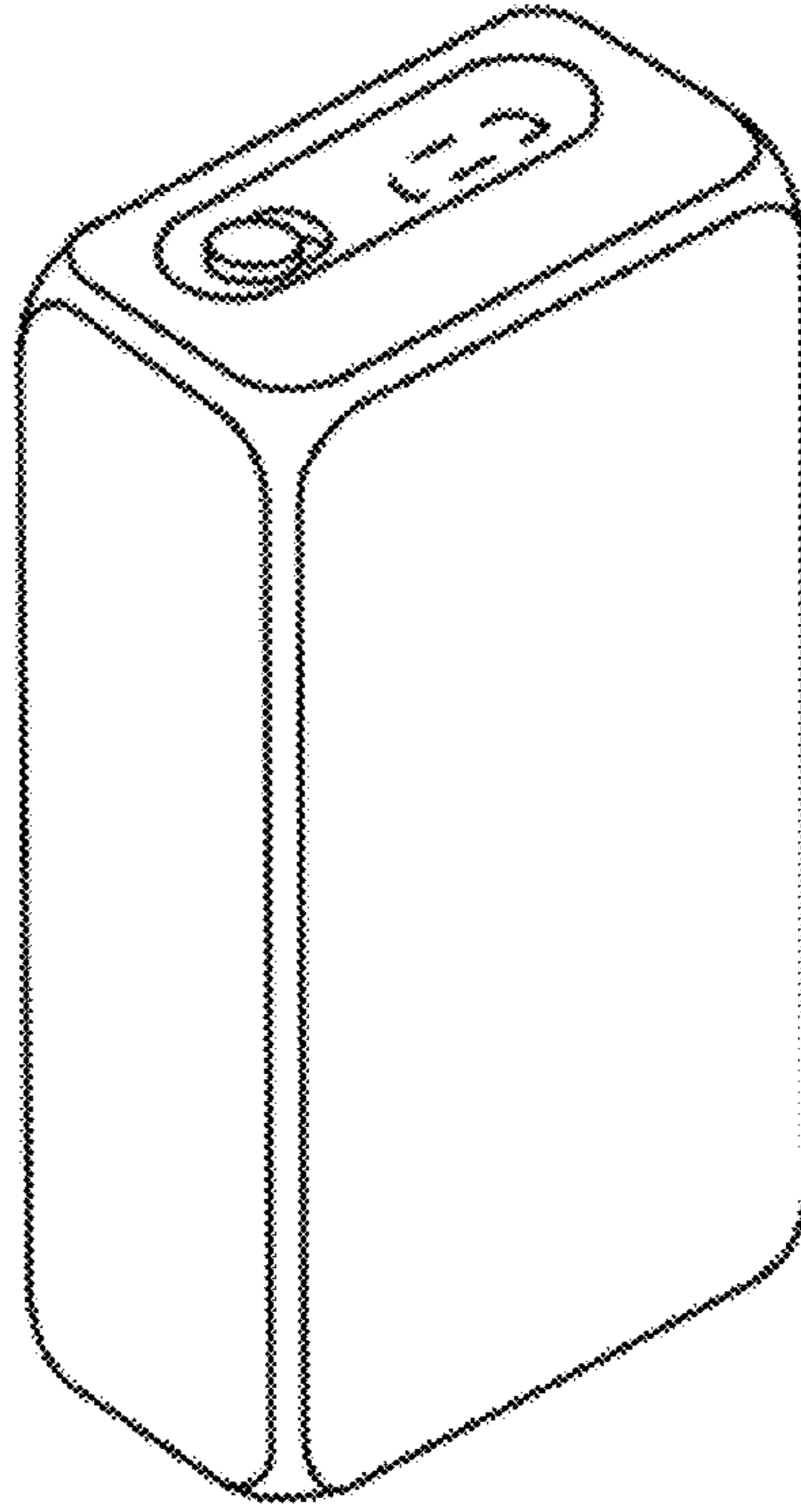
The ornamental design for the multi-modal mouse, as shown and described.

**DESCRIPTION**

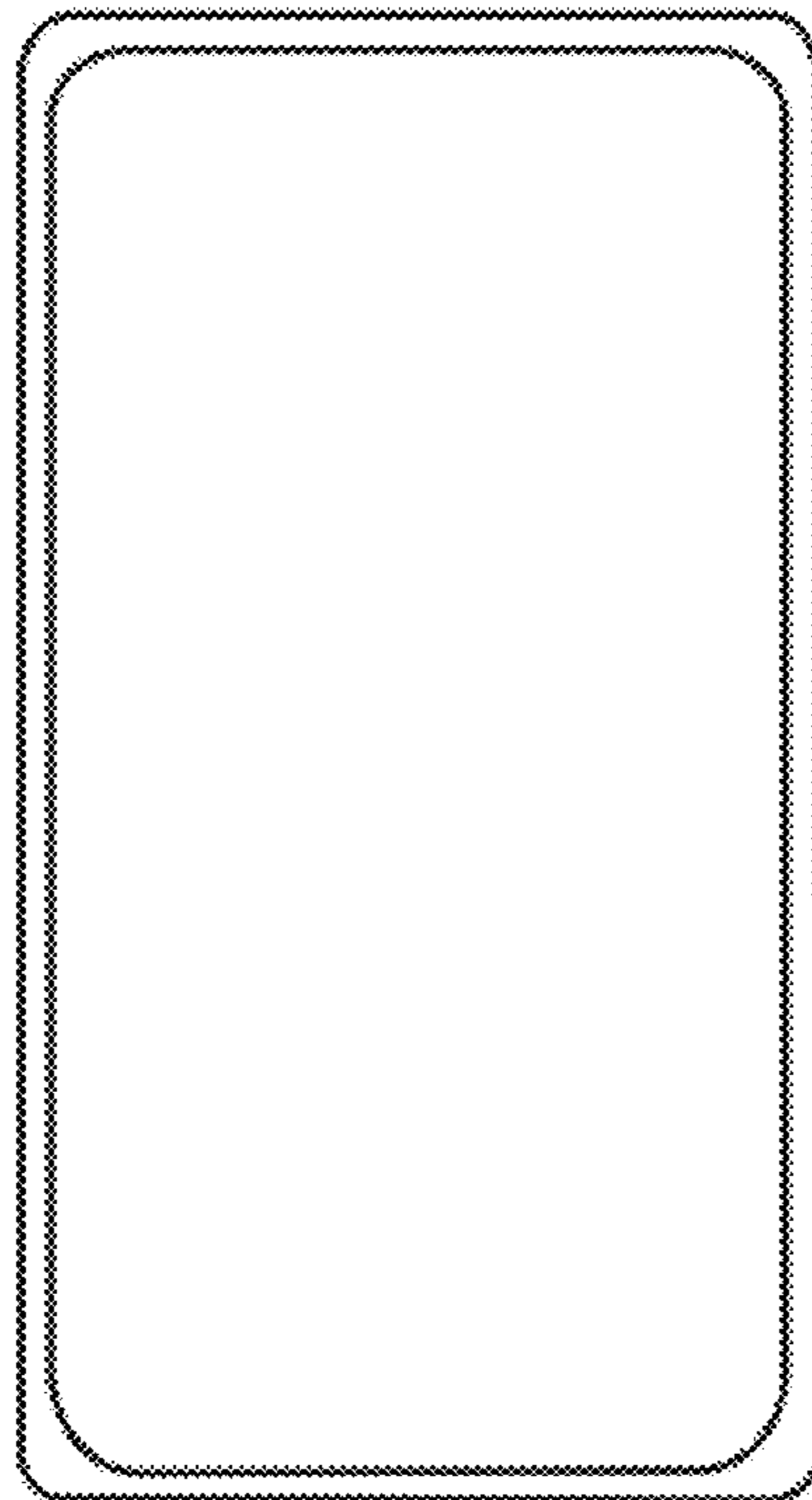
FIG. 1 is a perspective view of a multi-modal mouse showing an embodiment of our new design; FIG. 2 is a top plan view thereof; FIG. 3 is a front elevational view thereof; FIG. 4 is a bottom plan view thereof; FIG. 5 is a rear elevational view thereof; FIG. 6 is a left side elevational view thereof; and, FIG. 7 is a right side elevational view thereof. The portions shown in broken lines form no part of the claimed design.

**1 Claim, 3 Drawing Sheets**

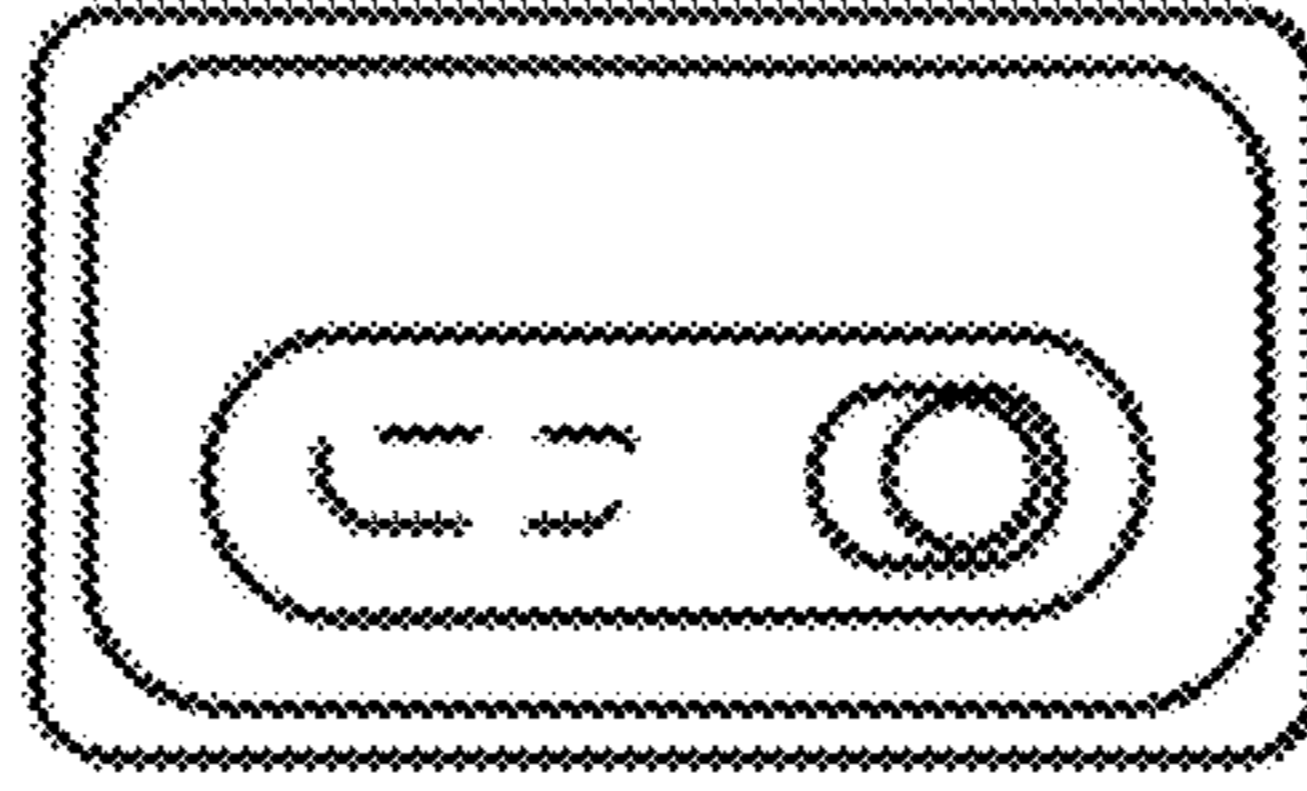




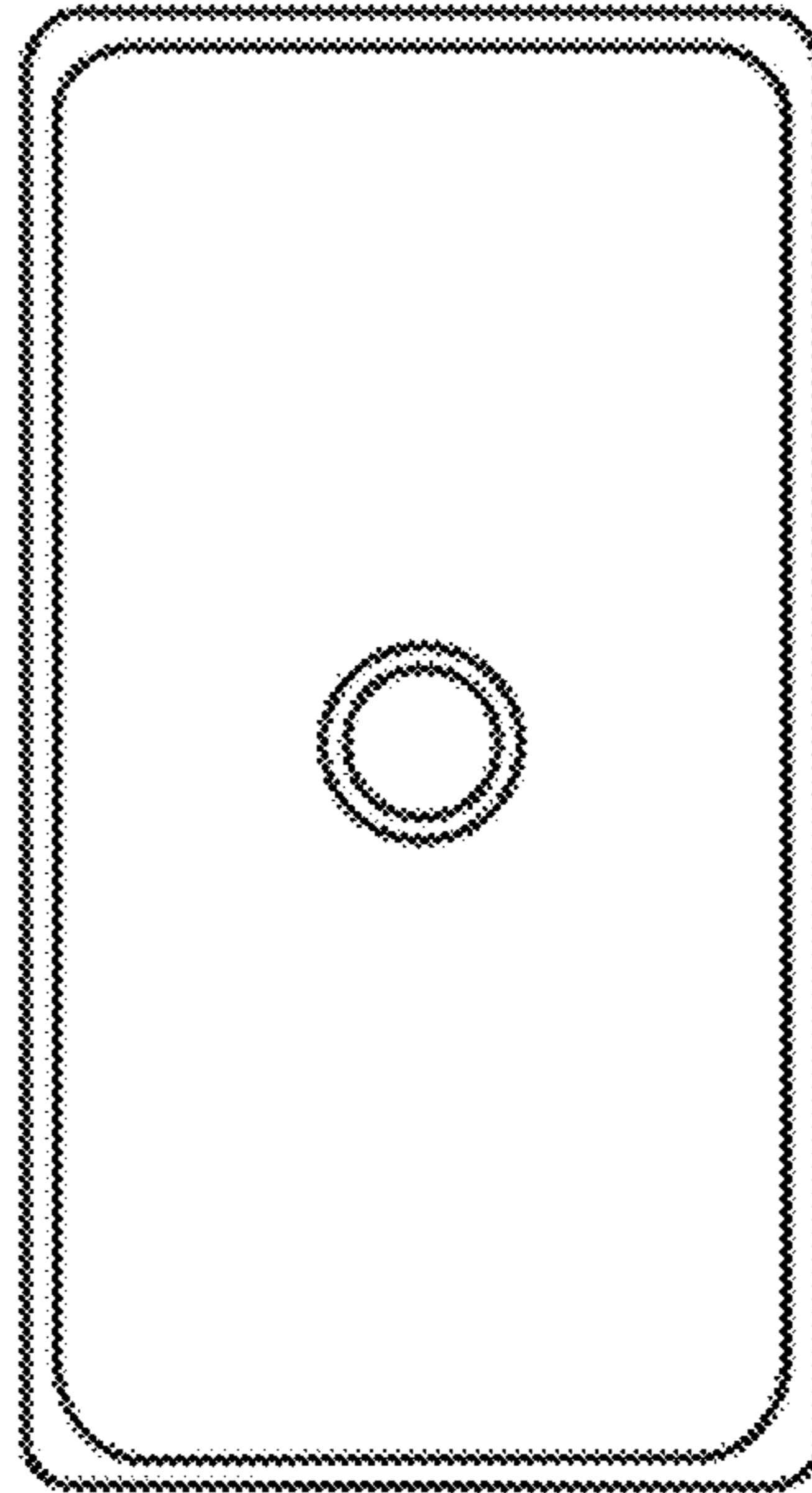
**FIG. 1**



**FIG. 2**



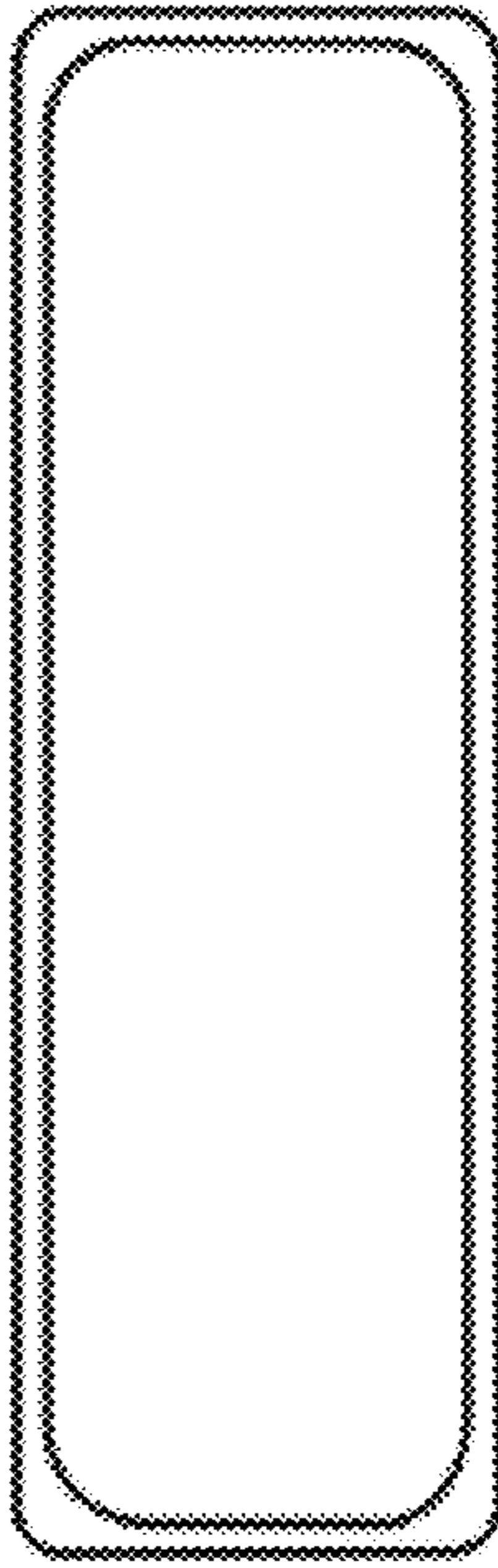
**FIG. 3**



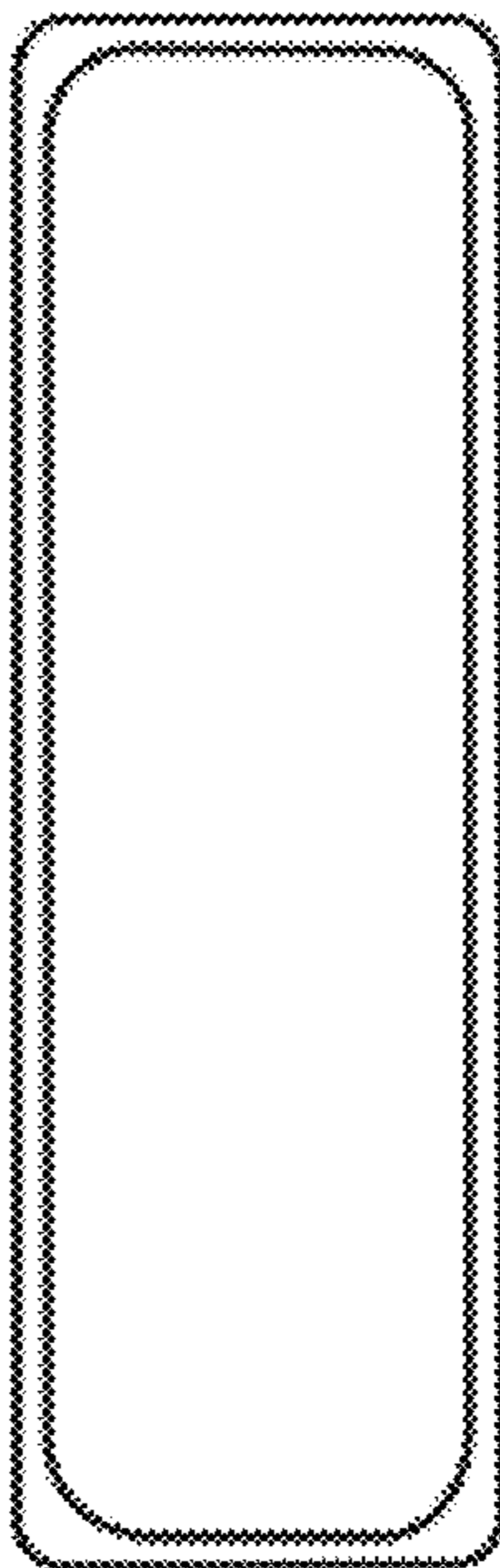
**FIG. 4**



**FIG. 5**



**FIG. 6**



**FIG. 7**