



US00D671941S

(12) **United States Design Patent**  
**Kinoshita et al.**

(10) **Patent No.:** **US D671,941 S**  
(45) **Date of Patent:** **\*\* Dec. 4, 2012**

(54) **CHECK SCANNER**

(75) Inventors: **Yoshiki Kinoshita**, Suwa (JP); **Seiji Kimura**, Shiojiri (JP); **Kenichi Hirabayashi**, Shiojiri (JP)

(73) Assignee: **Seiko Epson Corporation** (JP)

(\*\*) Term: **14 Years**

(21) Appl. No.: **29/408,386**

(22) Filed: **Dec. 12, 2011**

(30) **Foreign Application Priority Data**

Sep. 2, 2011 (JP) ..... 2011-019954

(51) **LOC (9) Cl.** ..... **14-02**

(52) **U.S. Cl.** ..... **D14/386**

(58) **Field of Classification Search** ..... D14/383-387,  
D14/426, 422, 462-470, 389, 125, 399; 355/64,  
355/65, 75, 81; D18/36, 18-21; 705/7.33;  
358/400, 401, 448, 474; 235/454, 379  
See application file for complete search history.

(56) **References Cited**

**U.S. PATENT DOCUMENTS**

4,872,113 A \* 10/1989 Dinerstein ..... 705/7.33  
D443,878 S \* 6/2001 Sakata et al. .... D14/422  
D507,271 S \* 7/2005 Panini ..... D14/386

D587,270 S \* 2/2009 Kimura et al. .... D14/386  
D591,746 S \* 5/2009 Kimura et al. .... D14/386  
D595,716 S \* 7/2009 Kimura et al. .... D14/386  
7,976,016 B2 \* 7/2011 Kinoshita ..... 271/149

\* cited by examiner

*Primary Examiner* — Austin Murphy

(74) *Attorney, Agent, or Firm* — Harness, Dickey & Pierce, P.L.C.

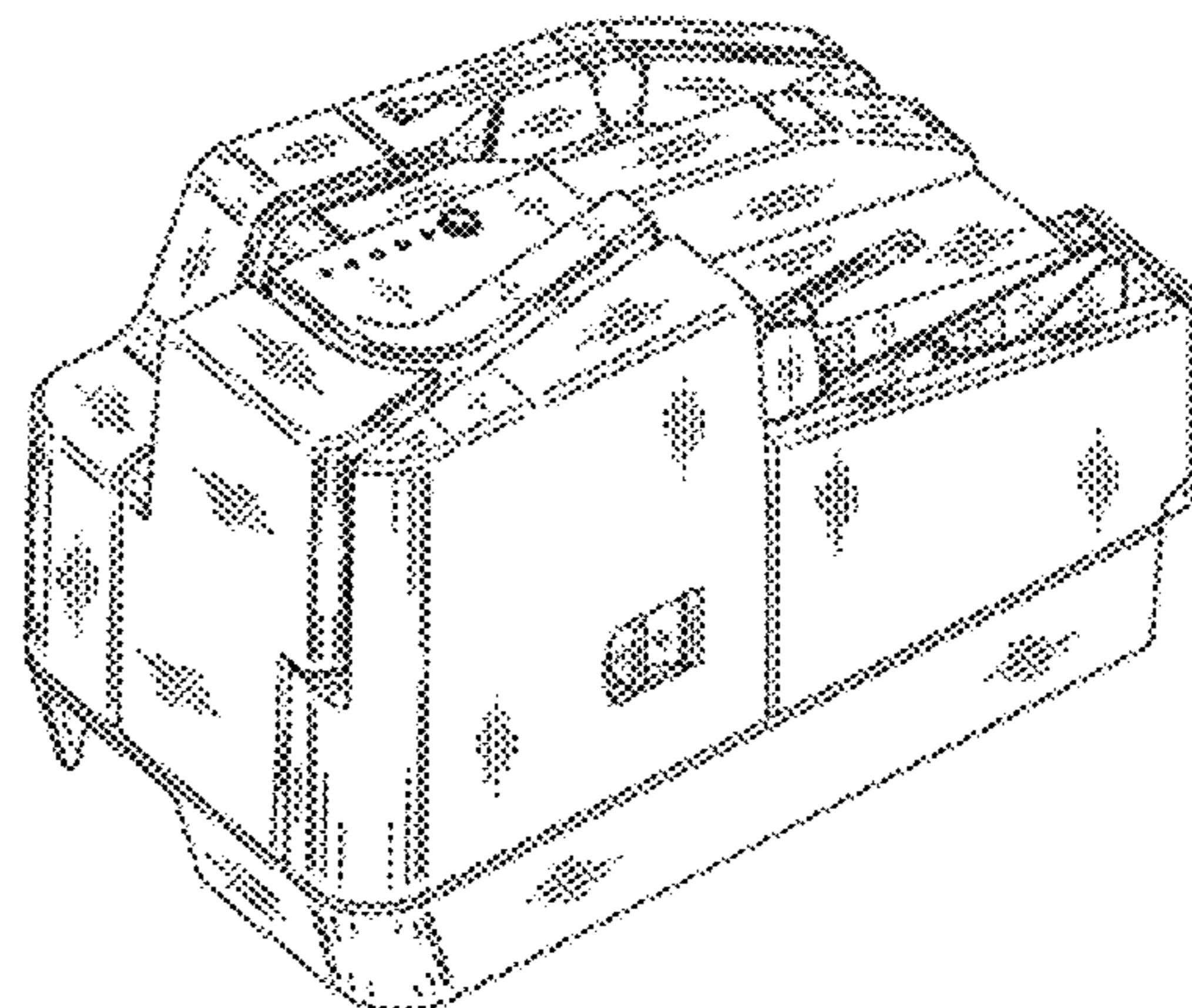
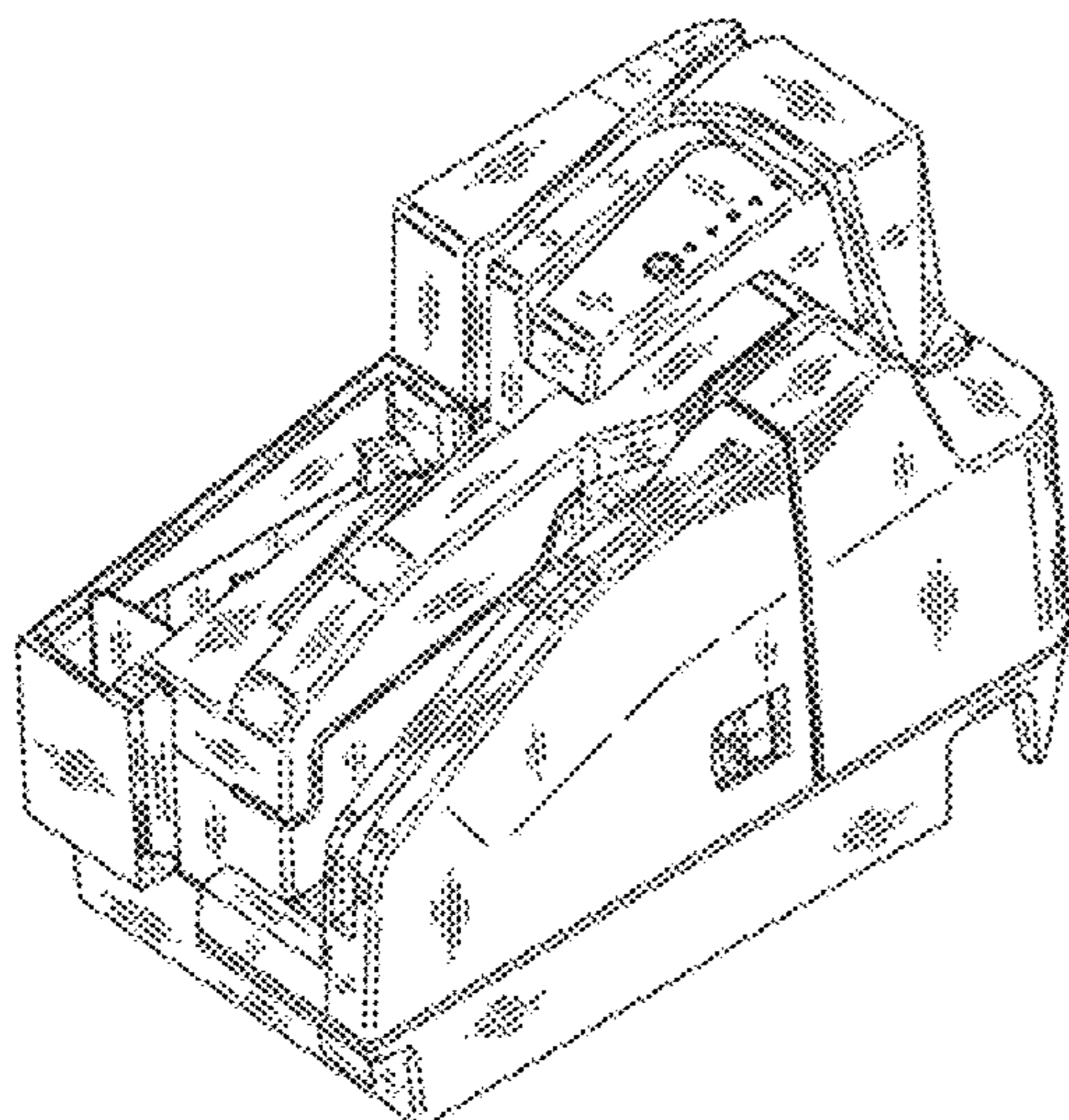
(57) **CLAIM**

The ornamental design for a check scanner, as shown and described.

**DESCRIPTION**

FIG. 1 is a perspective view of a check scanner, as viewed from the top, front and right side, embodying our new design; FIG. 2 is a perspective view thereof, as viewed from the top, rear and left side; FIG. 3 is a front view thereof; FIG. 4 is a rear view thereof; FIG. 5 is a left side view thereof; FIG. 6 is a right side view thereof; FIG. 7 is a top view thereof; FIG. 8 is a bottom view thereof; and, FIG. 9 is a left side view thereof, shown with a portion cut-away for clarity of illustration. The broken lines are for illustrative purposes only and form no part of the claimed invention.

**1 Claim, 5 Drawing Sheets**



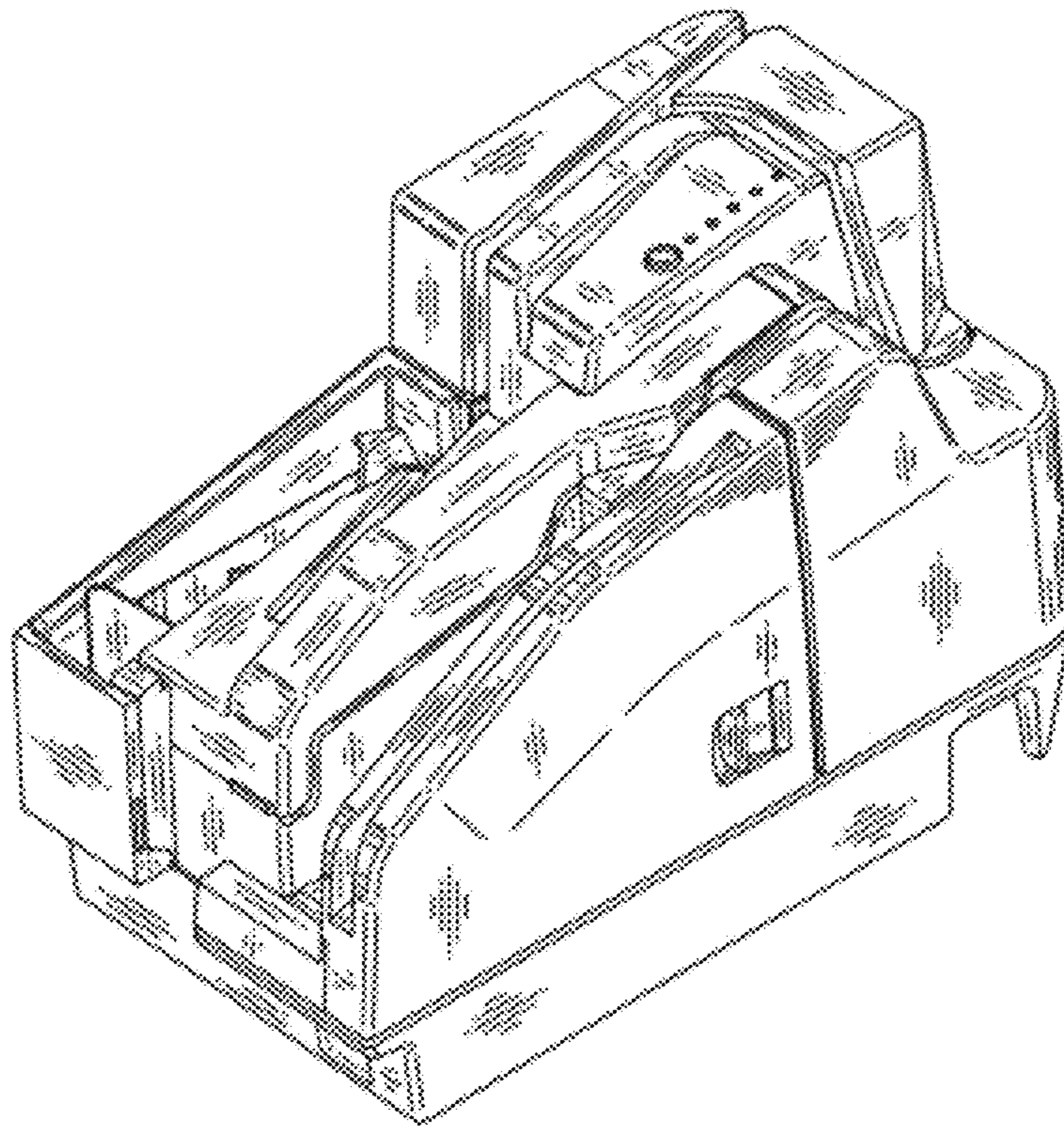


FIG. 1

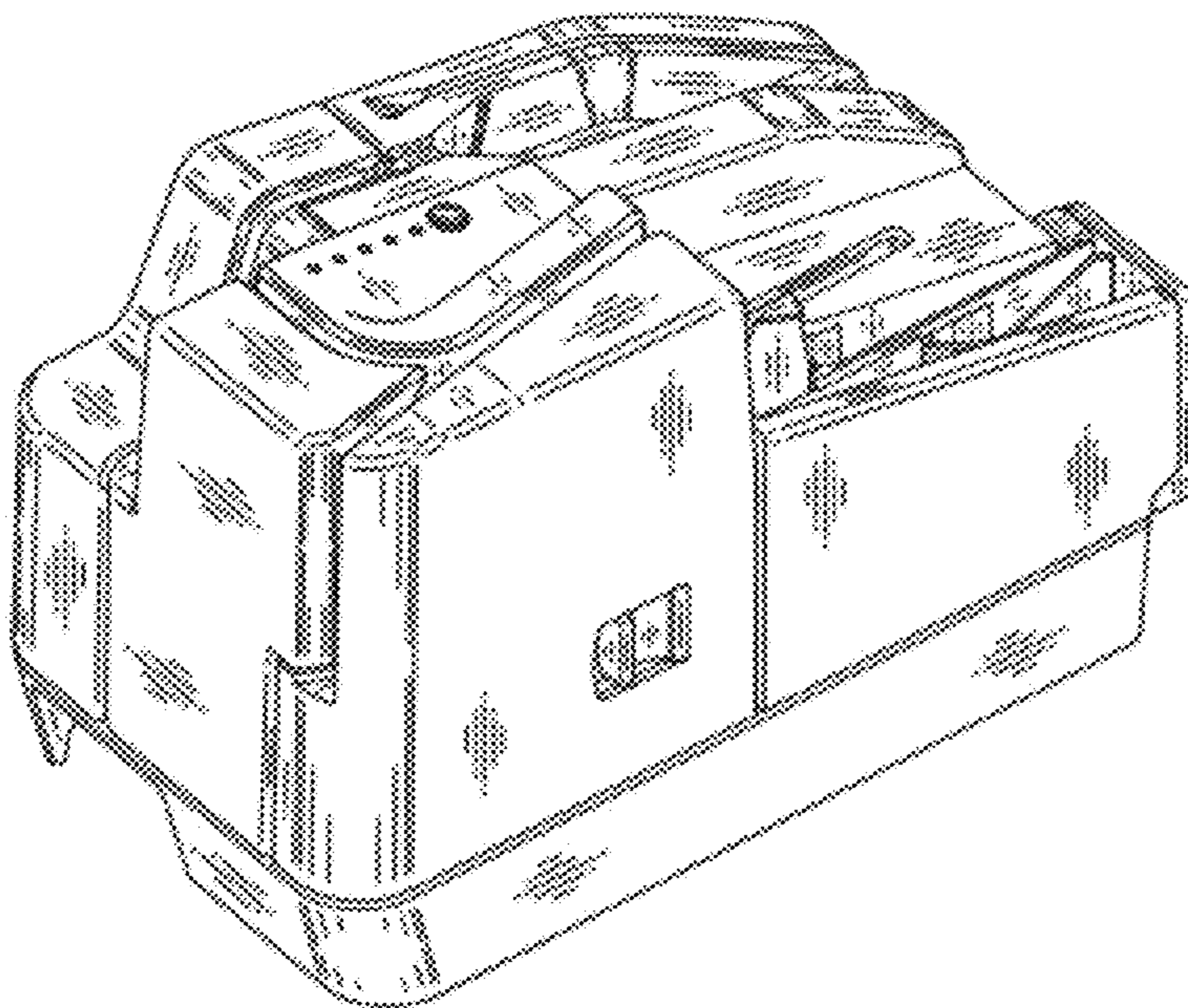


FIG. 2

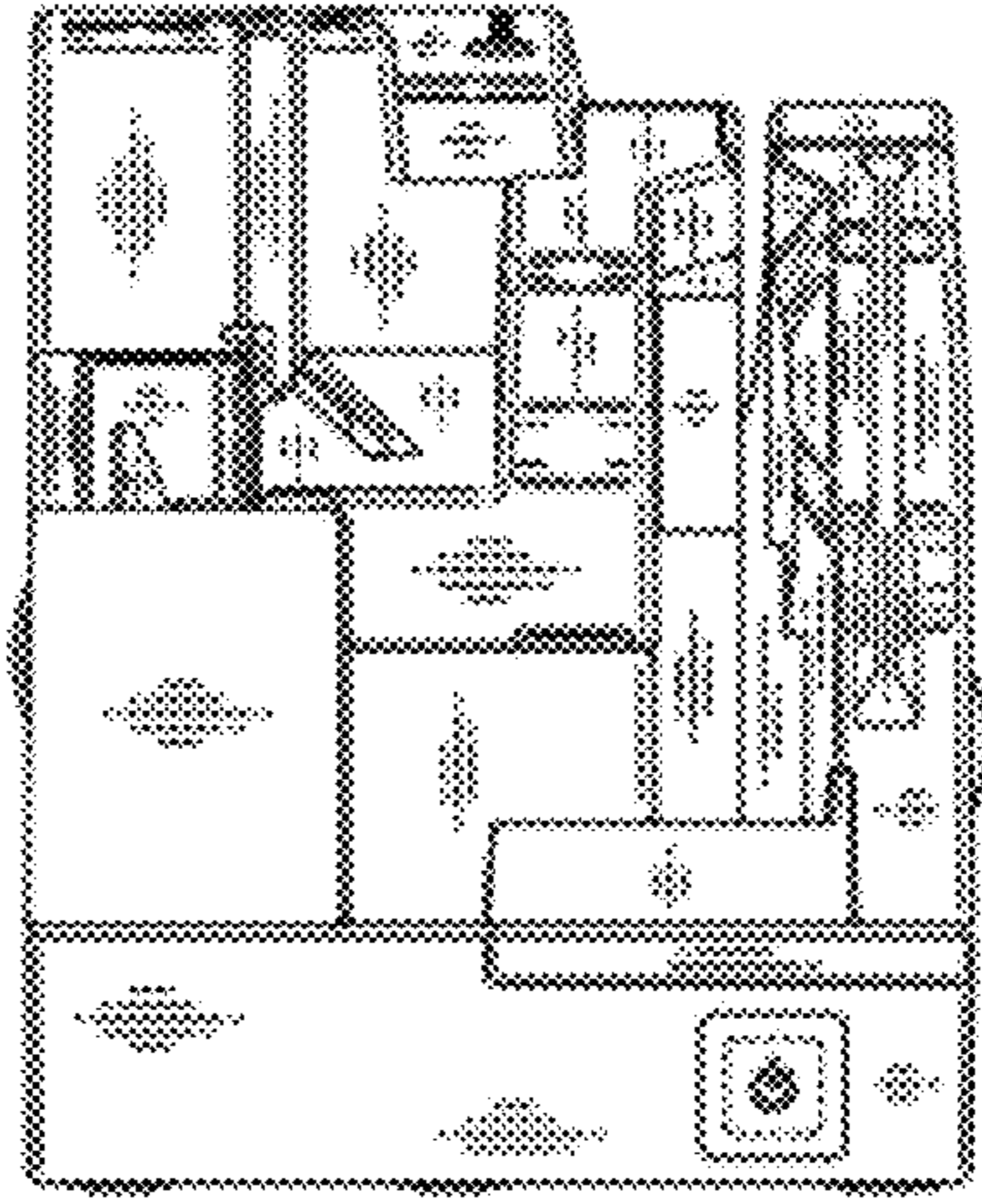


FIG. 3

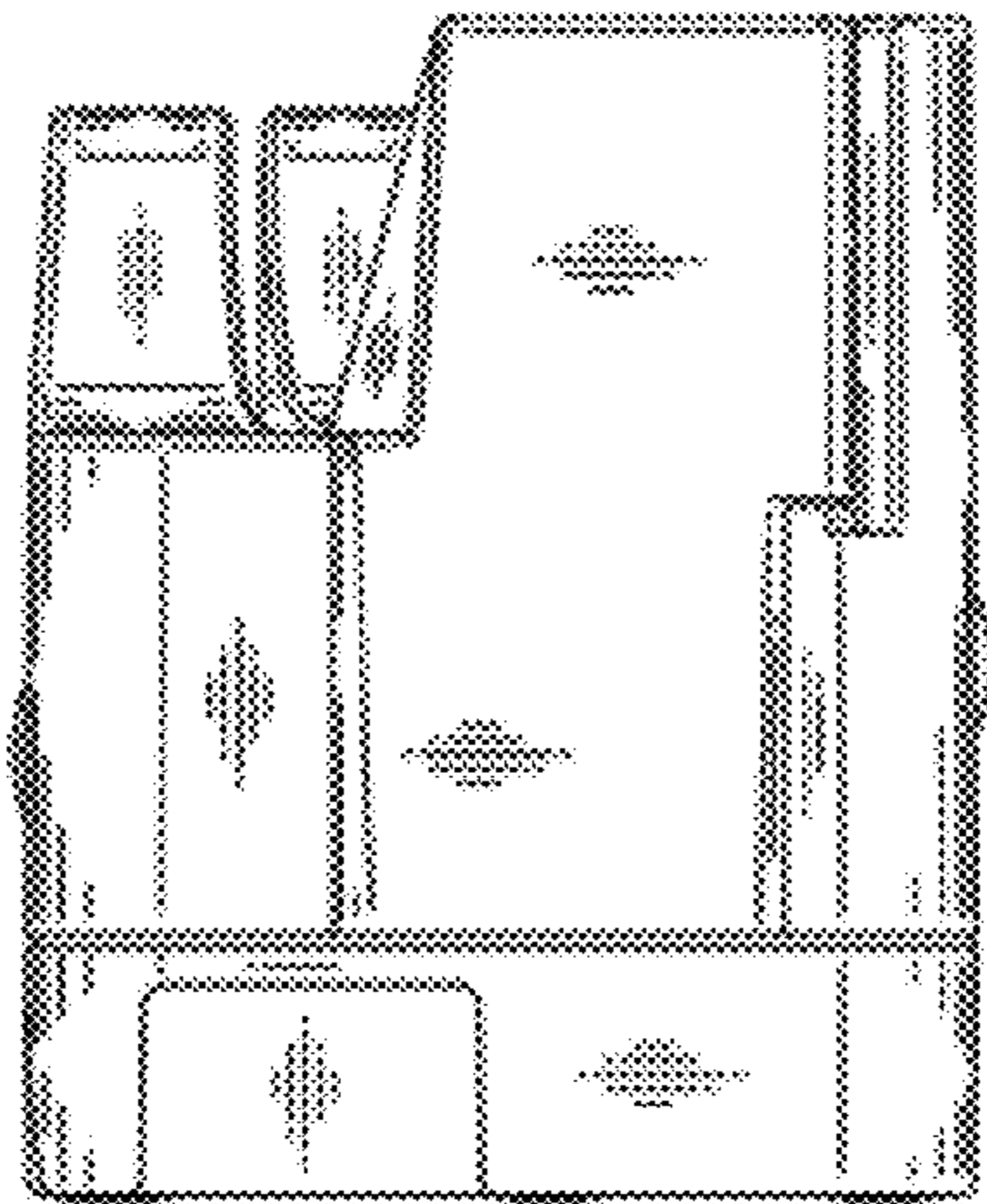


FIG. 4

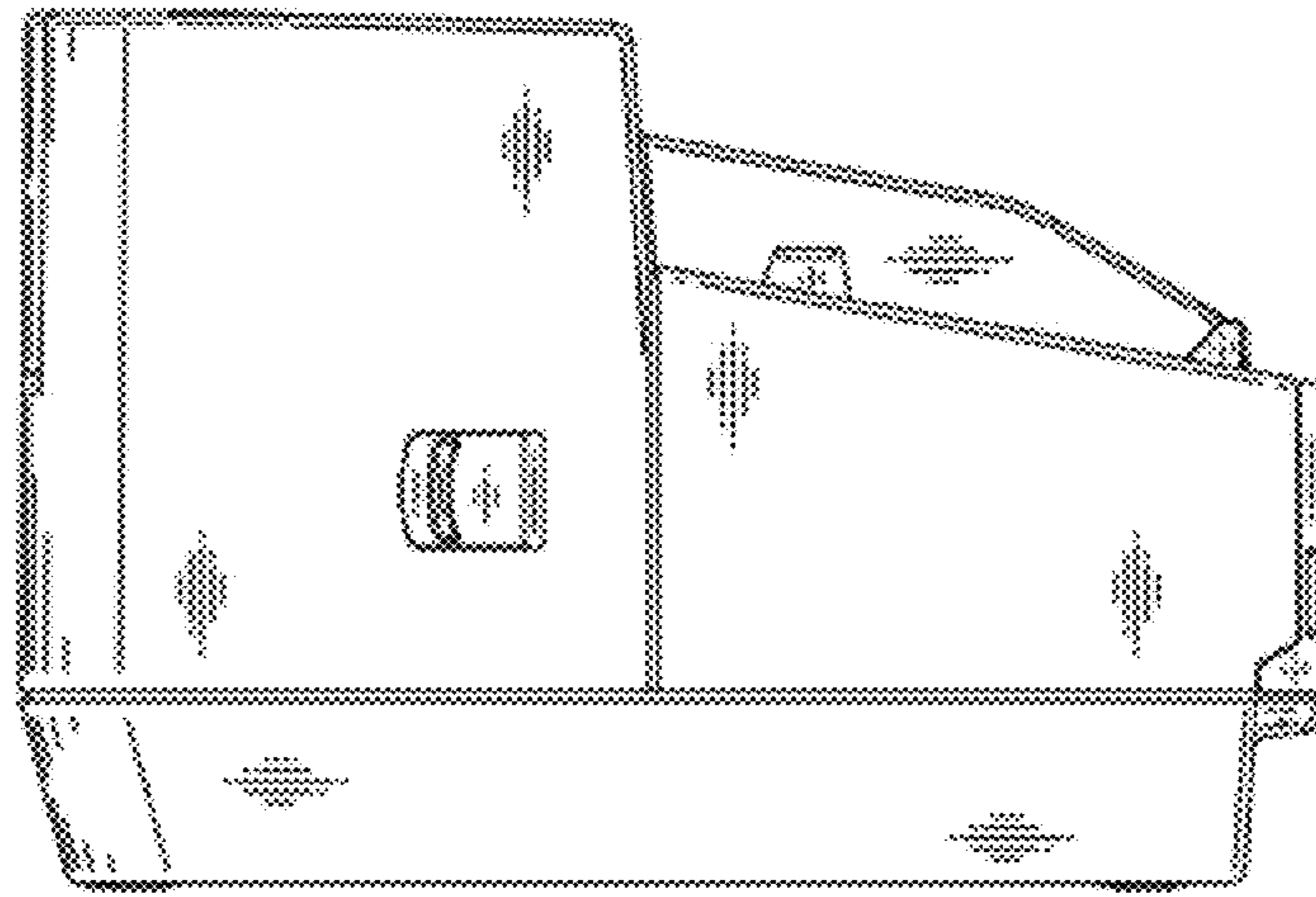


FIG. 5

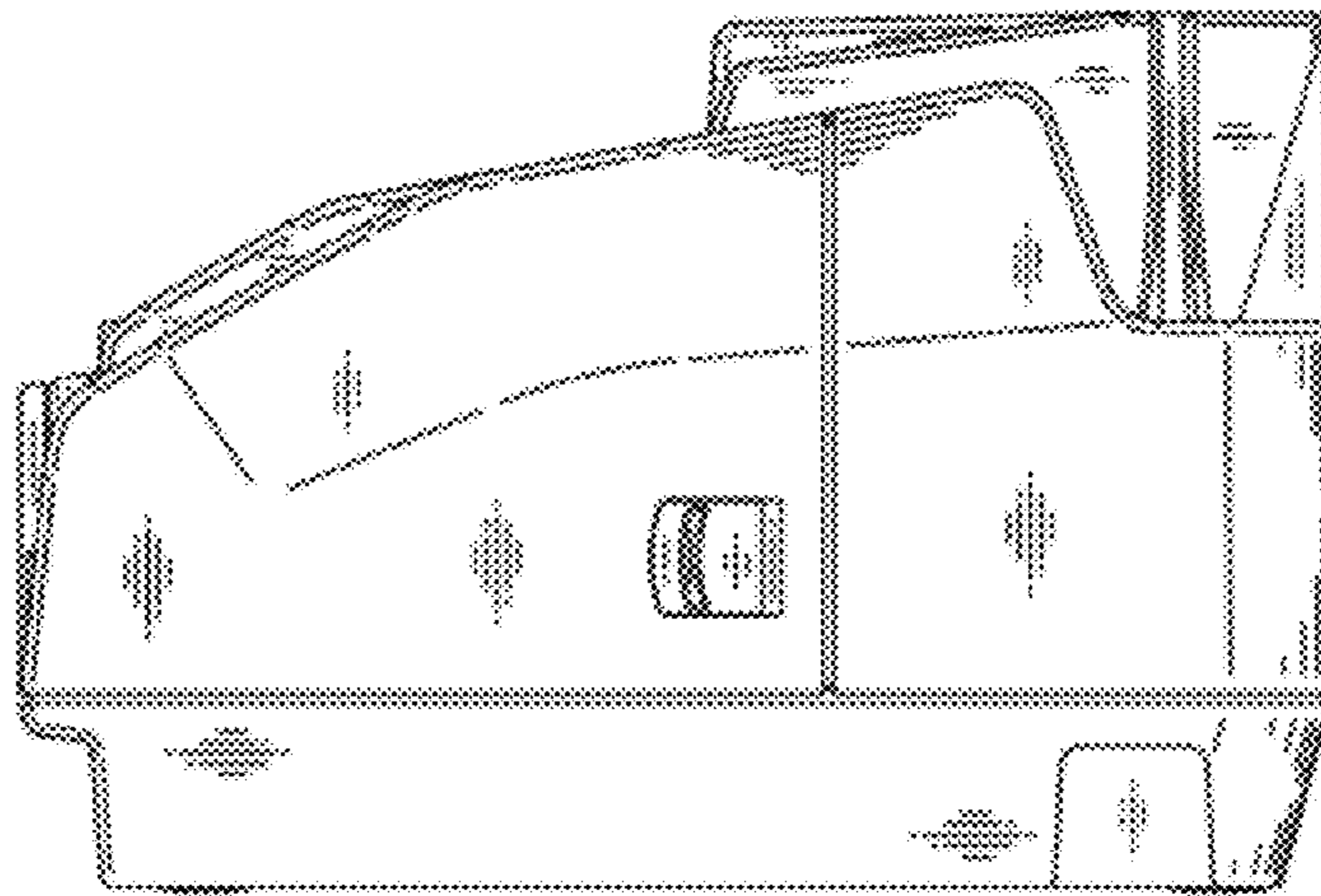


FIG. 6

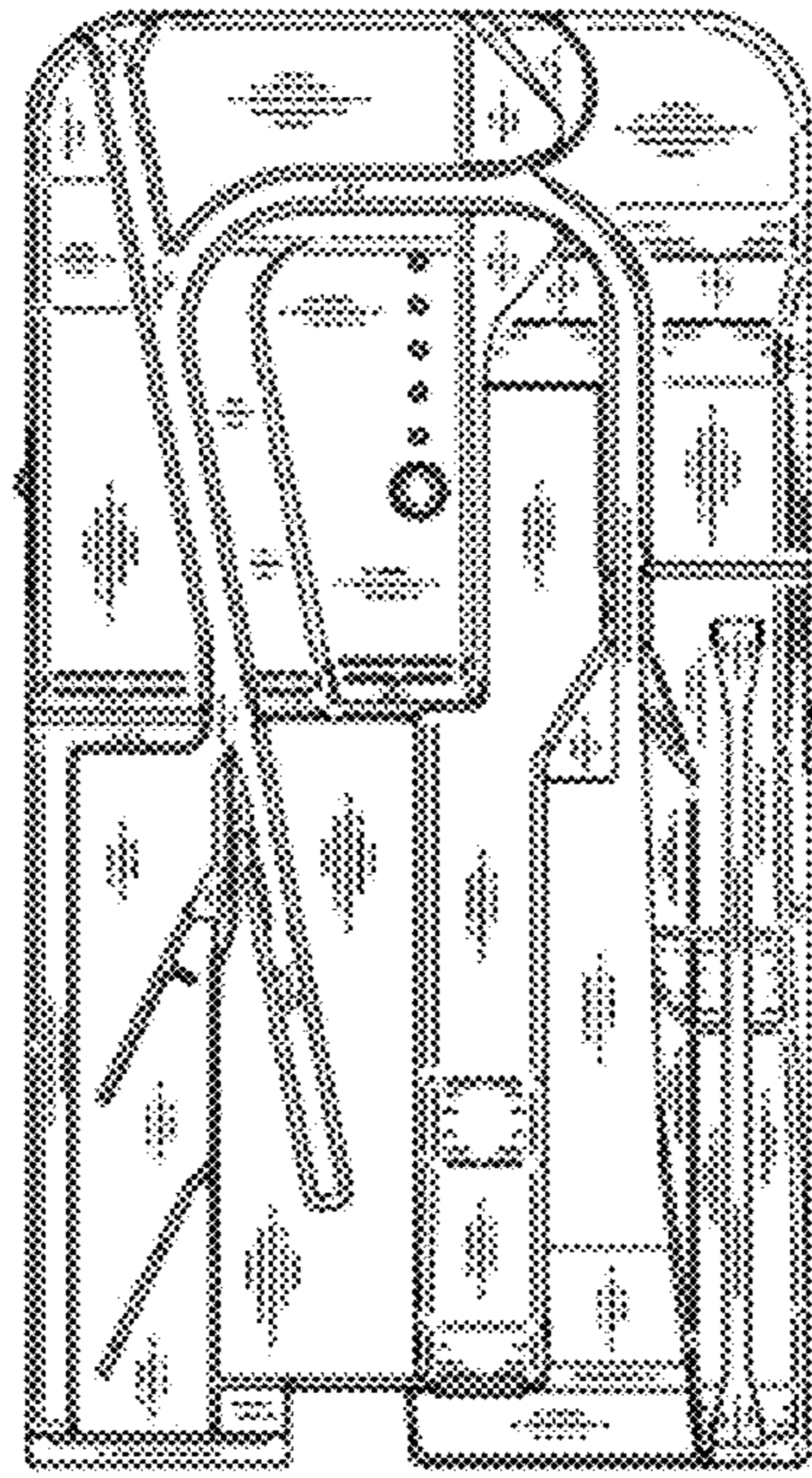


FIG. 7

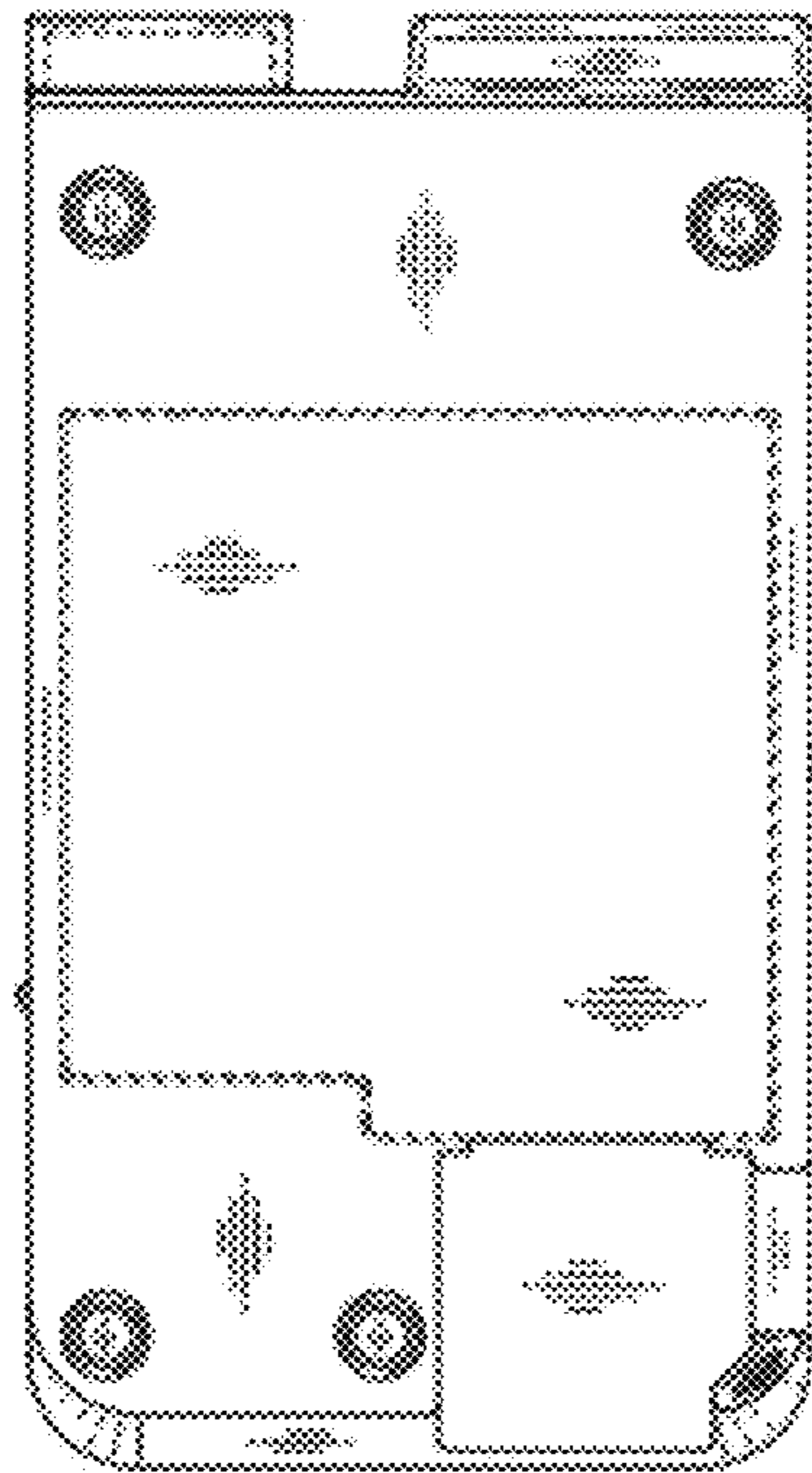


FIG. 8

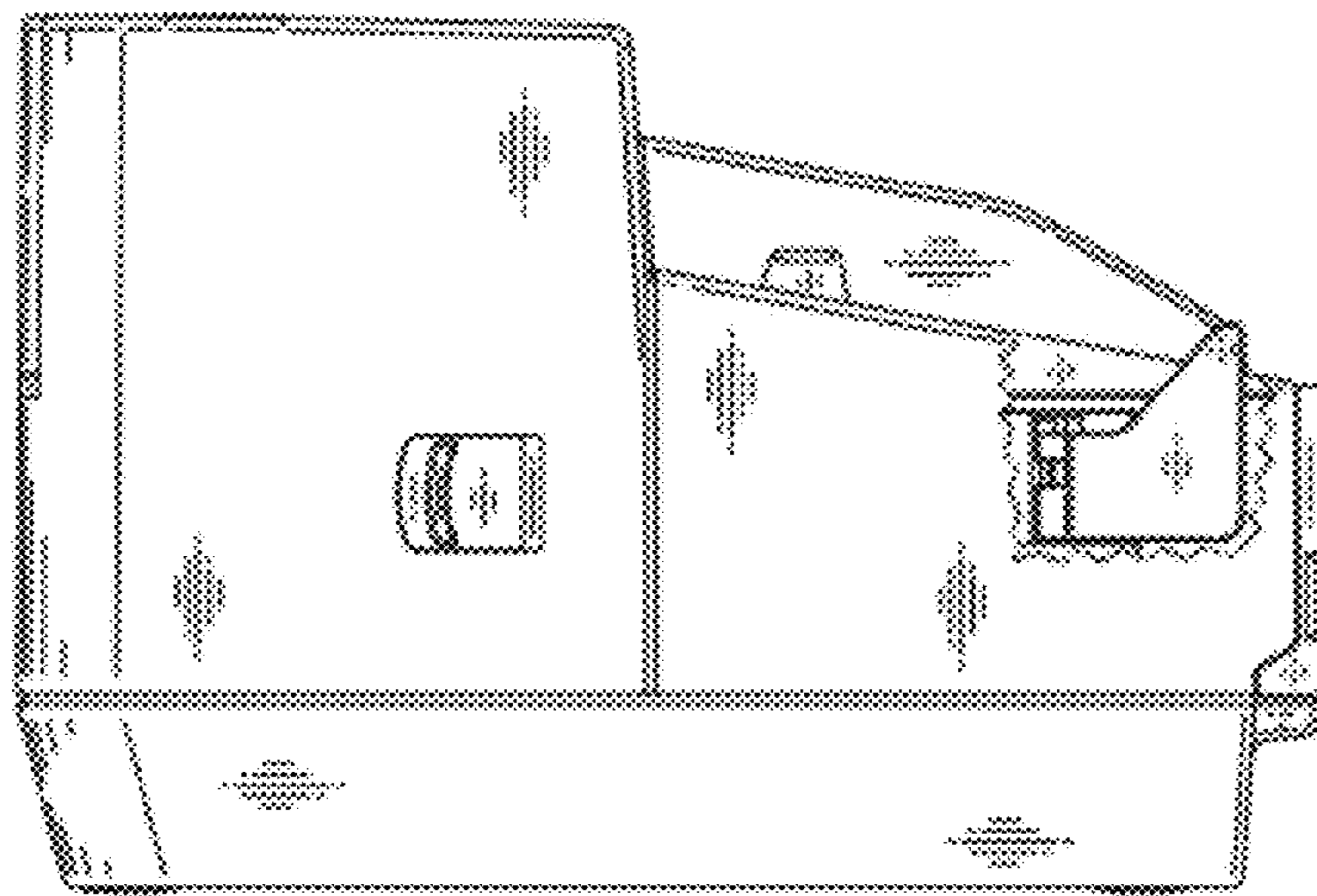


FIG. 9