



US00D671935S

(12) **United States Design Patent**  
**Mao**

(10) **Patent No.:** **US D671,935 S**  
(45) **Date of Patent:** **\*\* Dec. 4, 2012**

(54) **DOCKING STATION FOR CELL PHONE**

(75) Inventor: **Lianhua Mao**, Fujian (CN)

(73) Assignee: **Xiamen Maxa Engineering Co., Ltd.**,  
Xiamen, Fujian (CN)

(\*\*) Term: **14 Years**

(21) Appl. No.: **29/417,632**

(22) Filed: **Apr. 6, 2012**

(51) **LOC (9) Cl.** ..... **14-03**

(52) **U.S. Cl.** ..... **D14/253**

(58) **Field of Classification Search** ..... D14/140,  
D14/140.1, 142, 144, 145, 147-151, 217,  
D14/224, 229, 240, 242, 243, 252, 253, 299,  
D14/447, 483, 214, 224.1, 227, 434, 218,  
D14/216, 191, 496; D13/107-108, 168;  
361/679.41; 439/534; 320/10, 115, 116,  
320/107; D10/65

See application file for complete search history.

(56) **References Cited**

**U.S. PATENT DOCUMENTS**

D309,303 S *	7/1990	Appleby	.....	D14/144
D472,236 S *	3/2003	Schramm et al.	.....	D14/144
D561,177 S *	2/2008	Mittersinker et al.	.....	D14/217
D575,274 S *	8/2008	Donovan et al.	.....	D14/217
D588,573 S *	3/2009	West et al.	.....	D14/151
D608,335 S *	1/2010	Quiros et al.	.....	D14/149

D608,336 S *	1/2010	Quiros et al.	.....	D14/149
D653,232 S *	1/2012	Jones et al.	.....	D14/144
D658,627 S *	5/2012	Katori	.....	D14/142

\* cited by examiner

*Primary Examiner* — Raphael Barkai  
*Assistant Examiner* — Randall Gholson

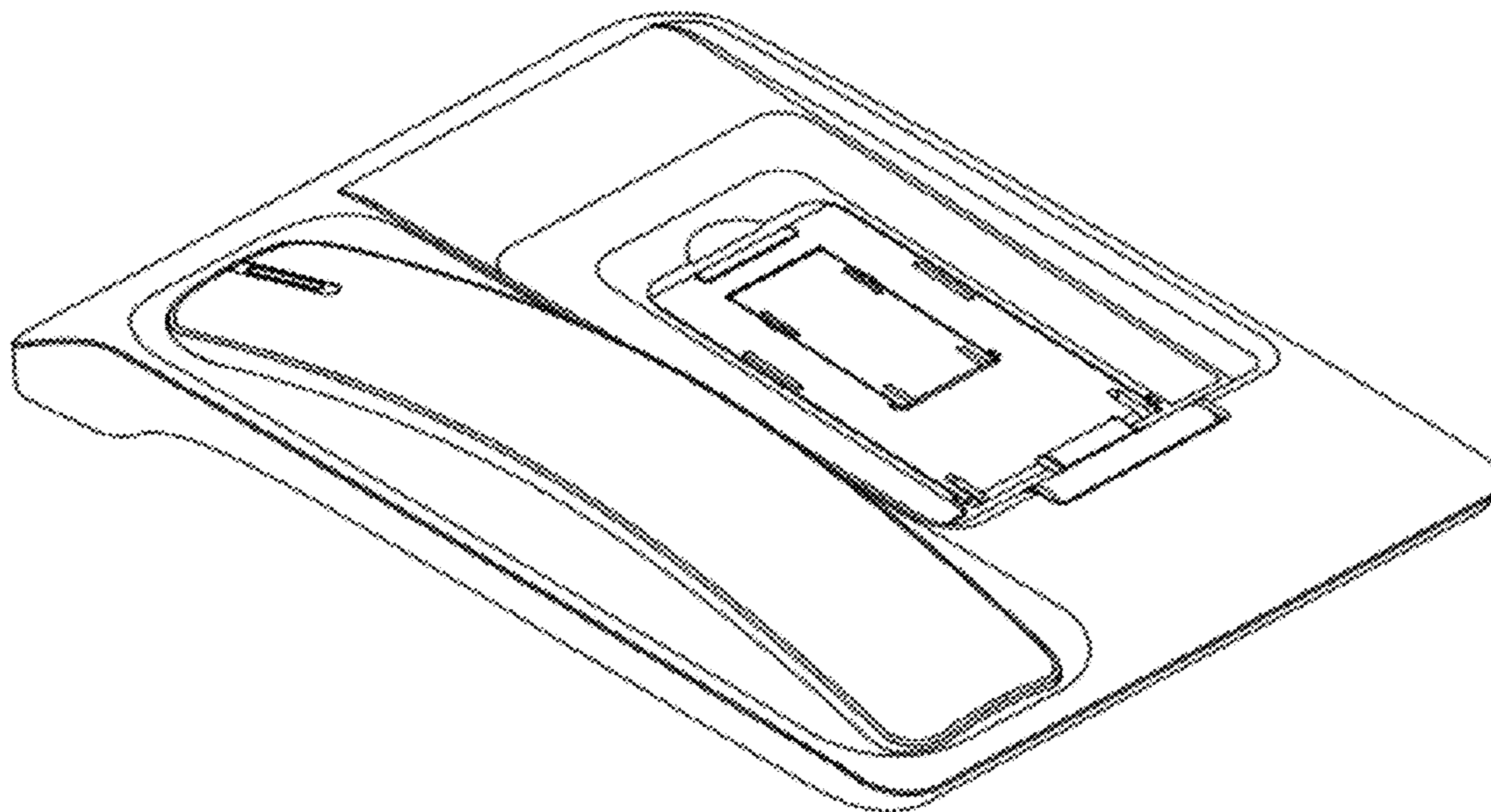
(57) **CLAIM**

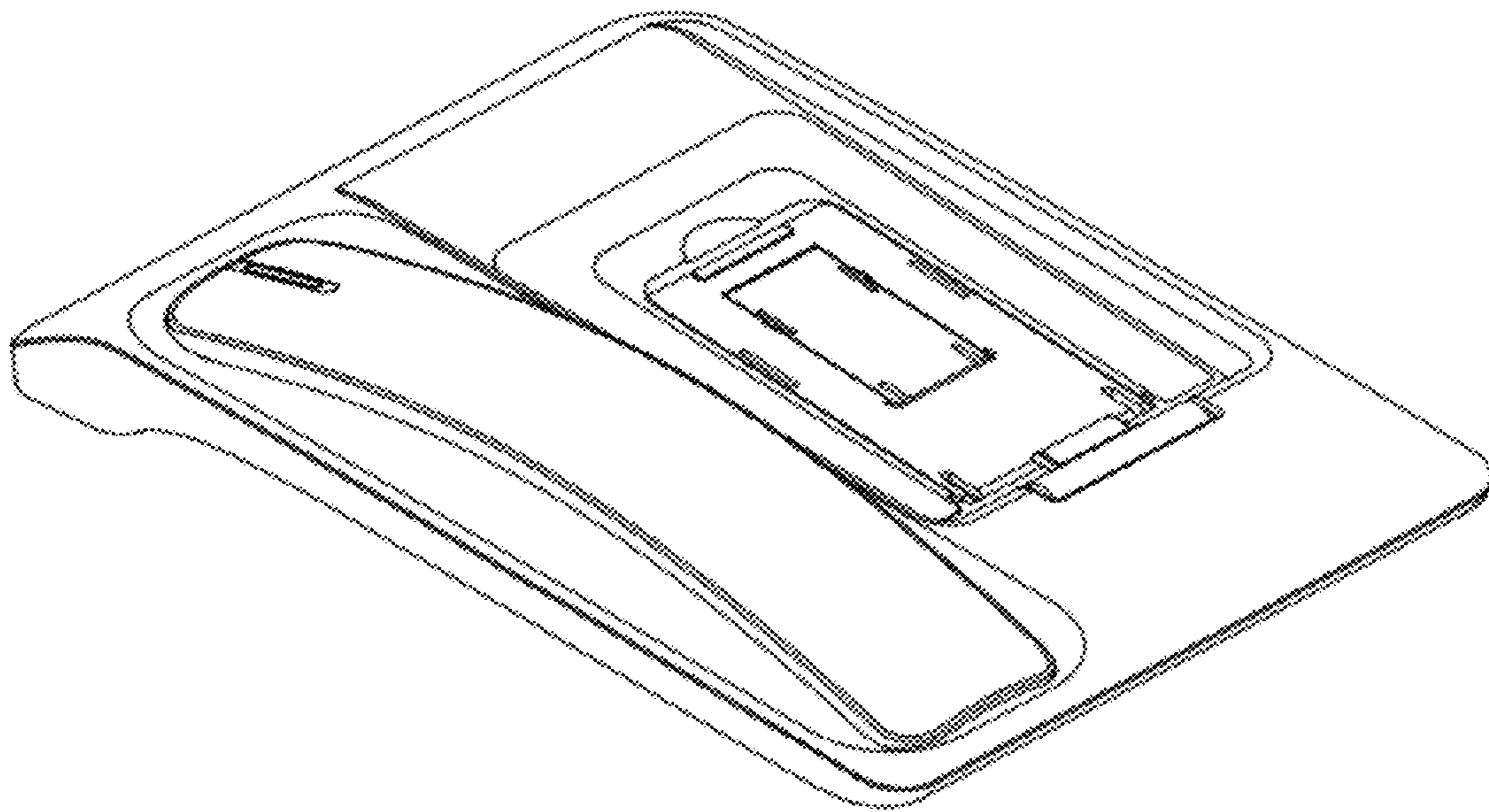
The ornamental design for a docking station for cell phone, as shown and described.

**DESCRIPTION**

FIG. 1 is a perspective view of docking station for cell phone showing my present design, FIG. 2 is a front view thereof; FIG. 3 is a rear view thereof; FIG. 4 is a left side view thereof; FIG. 5 is a right side view thereof; FIG. 6 is a top view thereof; FIG. 7 is a bottom view thereof; FIG. 8 is a perspective view of the docking station for cell phone with the supporter shown in a different position; FIG. 9 is a perspective view of the docking station for cell phone showing a cell phone places on the supporter of FIG. 8; and, FIG. 10 is a perspective view of the docking station for cell phone showing a cell phone rests with the present design. The broken lines shown in the drawings are for the purpose of illustration only and form no part of the claimed design.

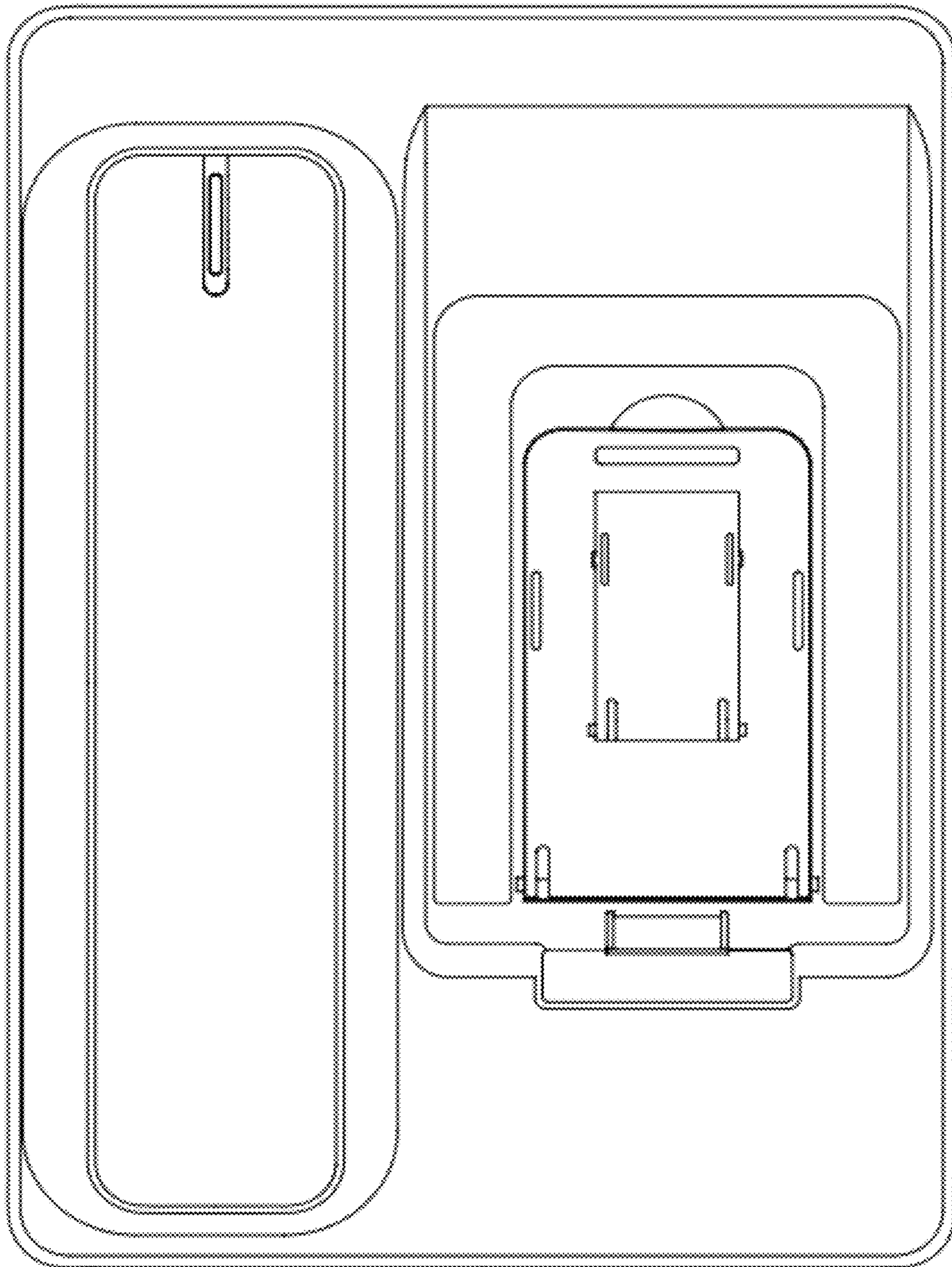
**1 Claim, 8 Drawing Sheets**



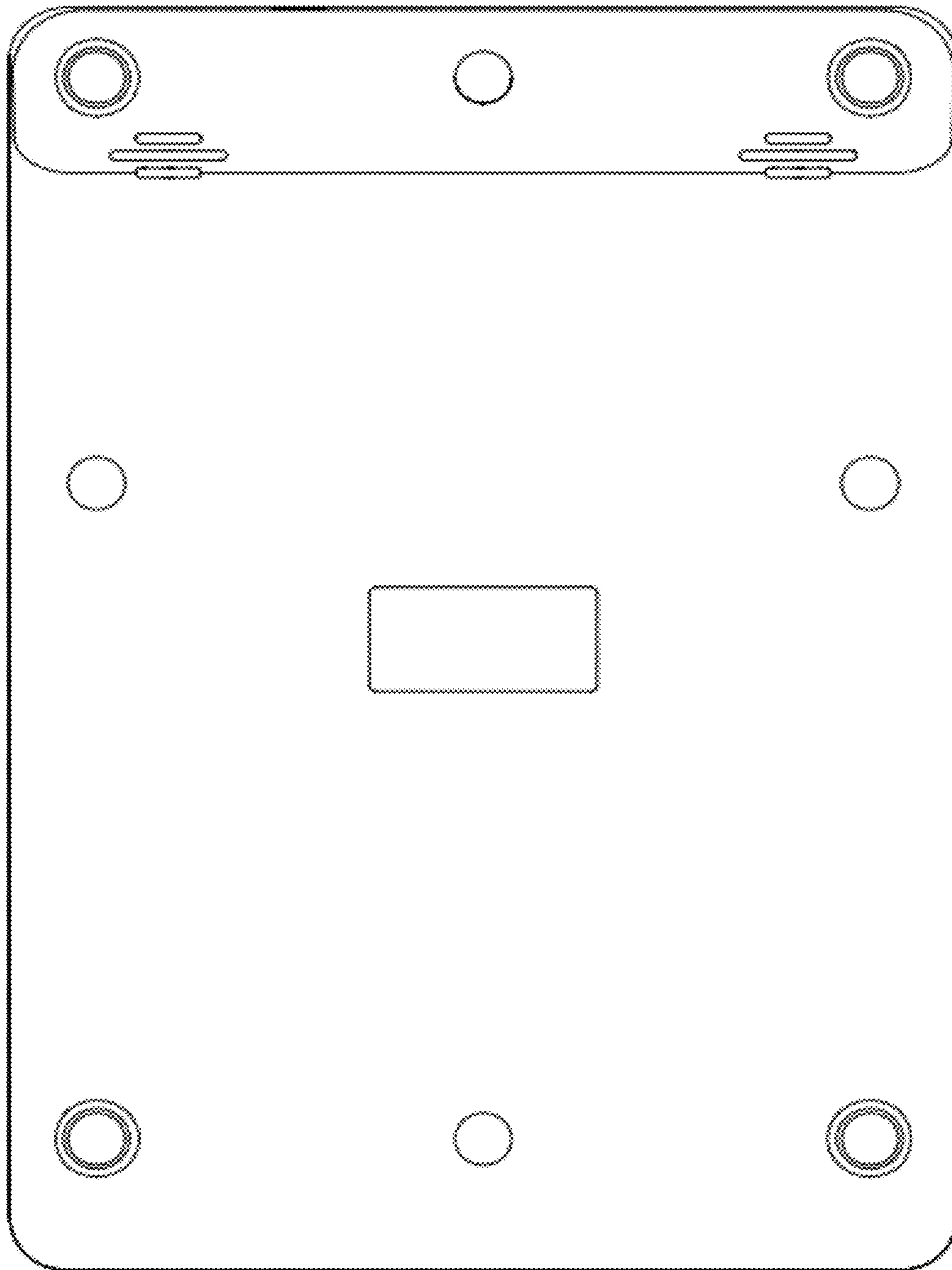


**FIG. 1**

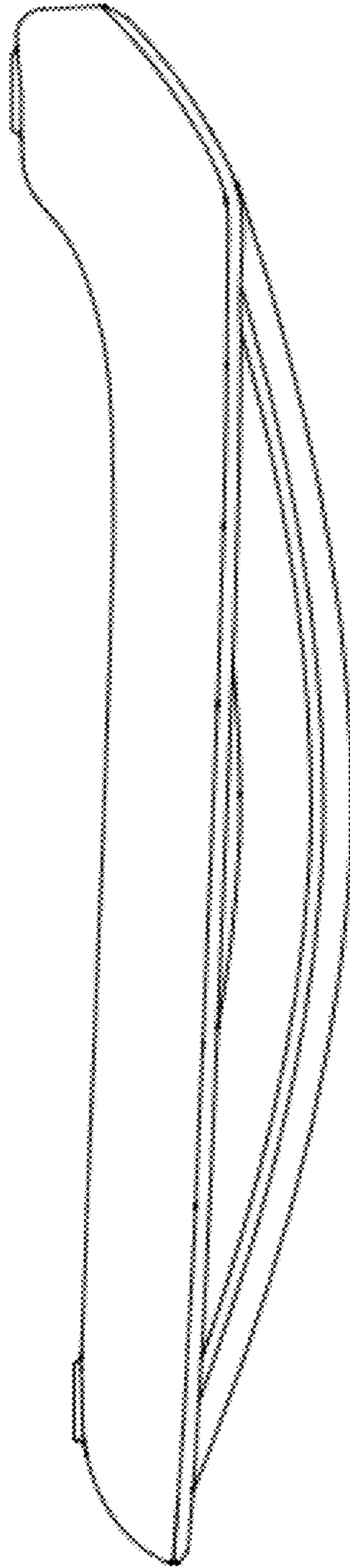




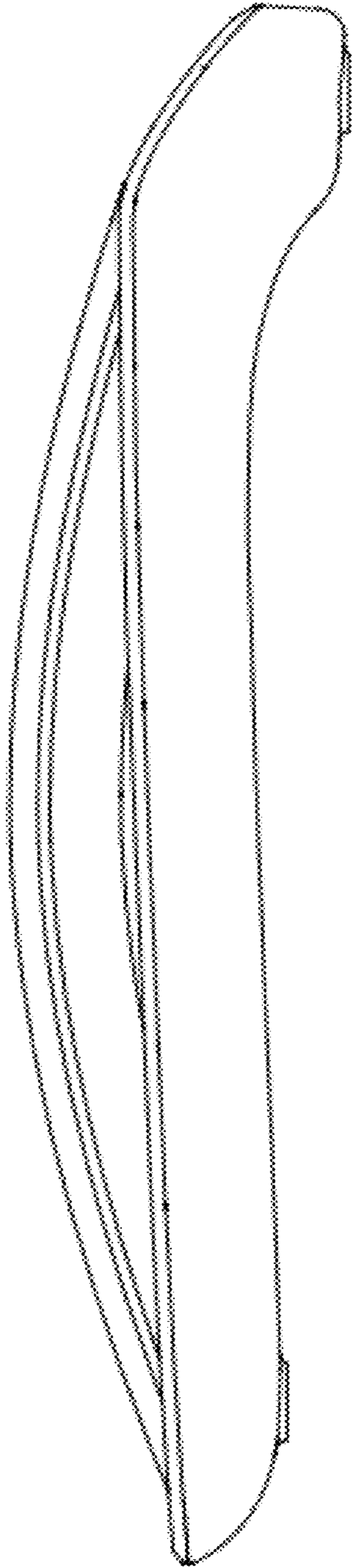
**FIG. 2**



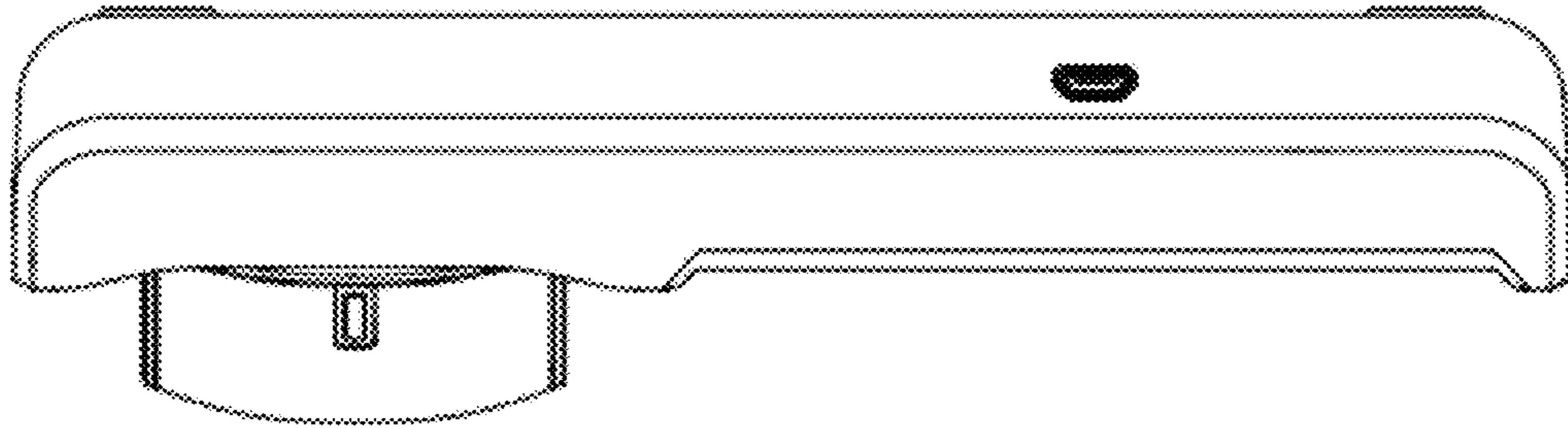
**FIG. 3**



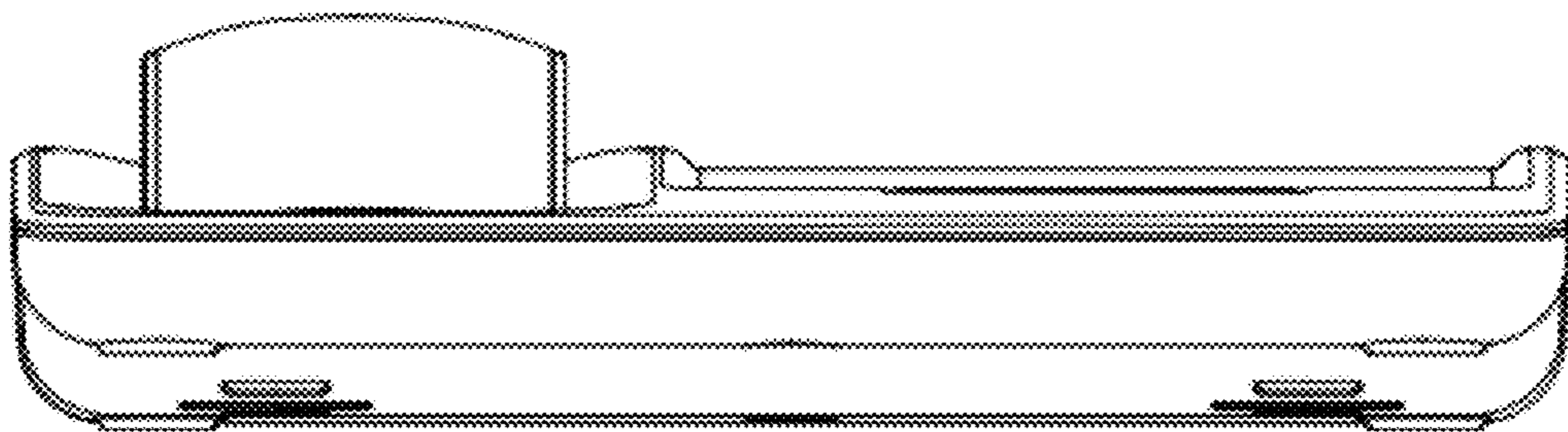
**FIG. 4**



**FIG. 5**

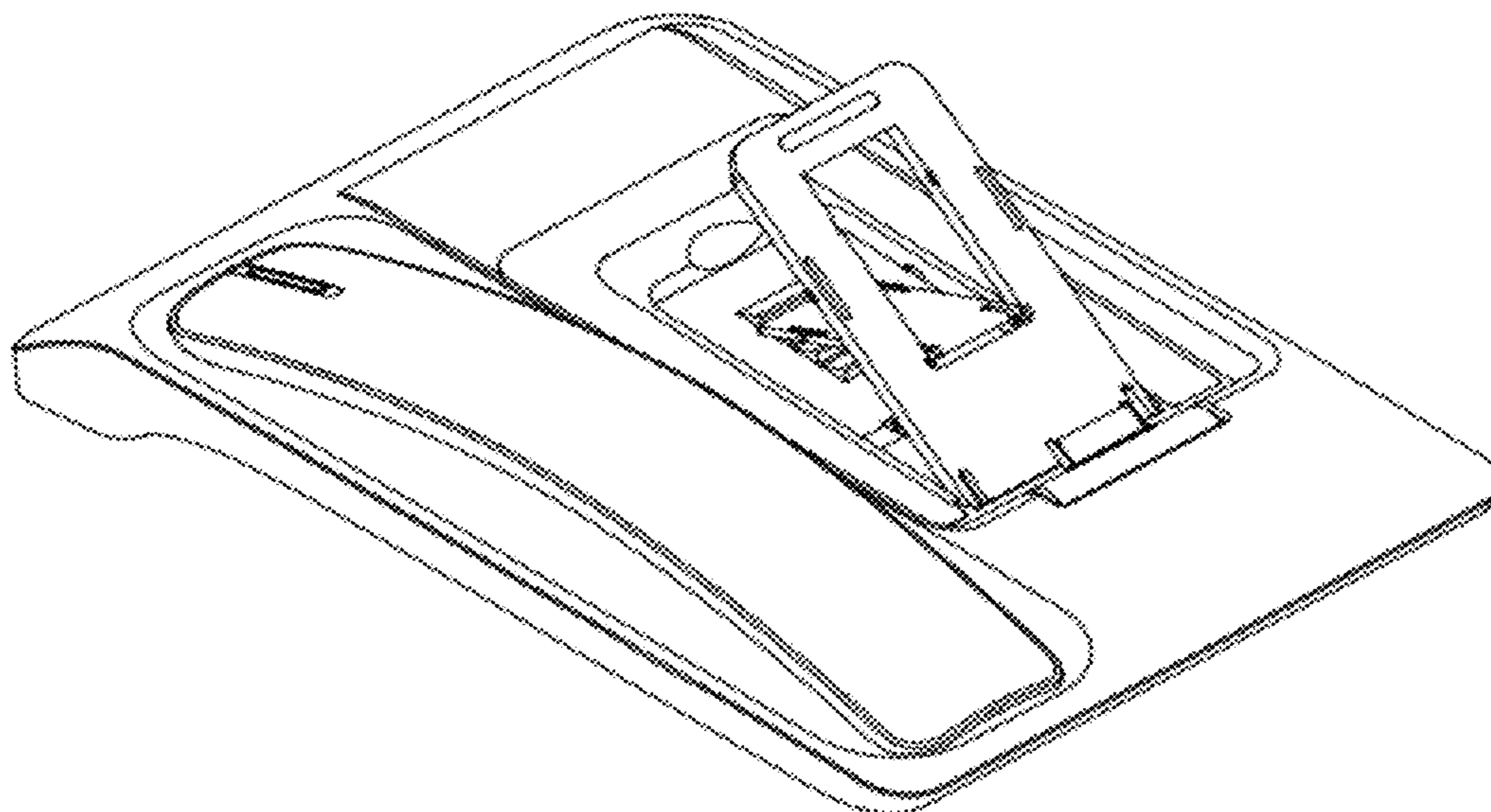


**FIG. 6**

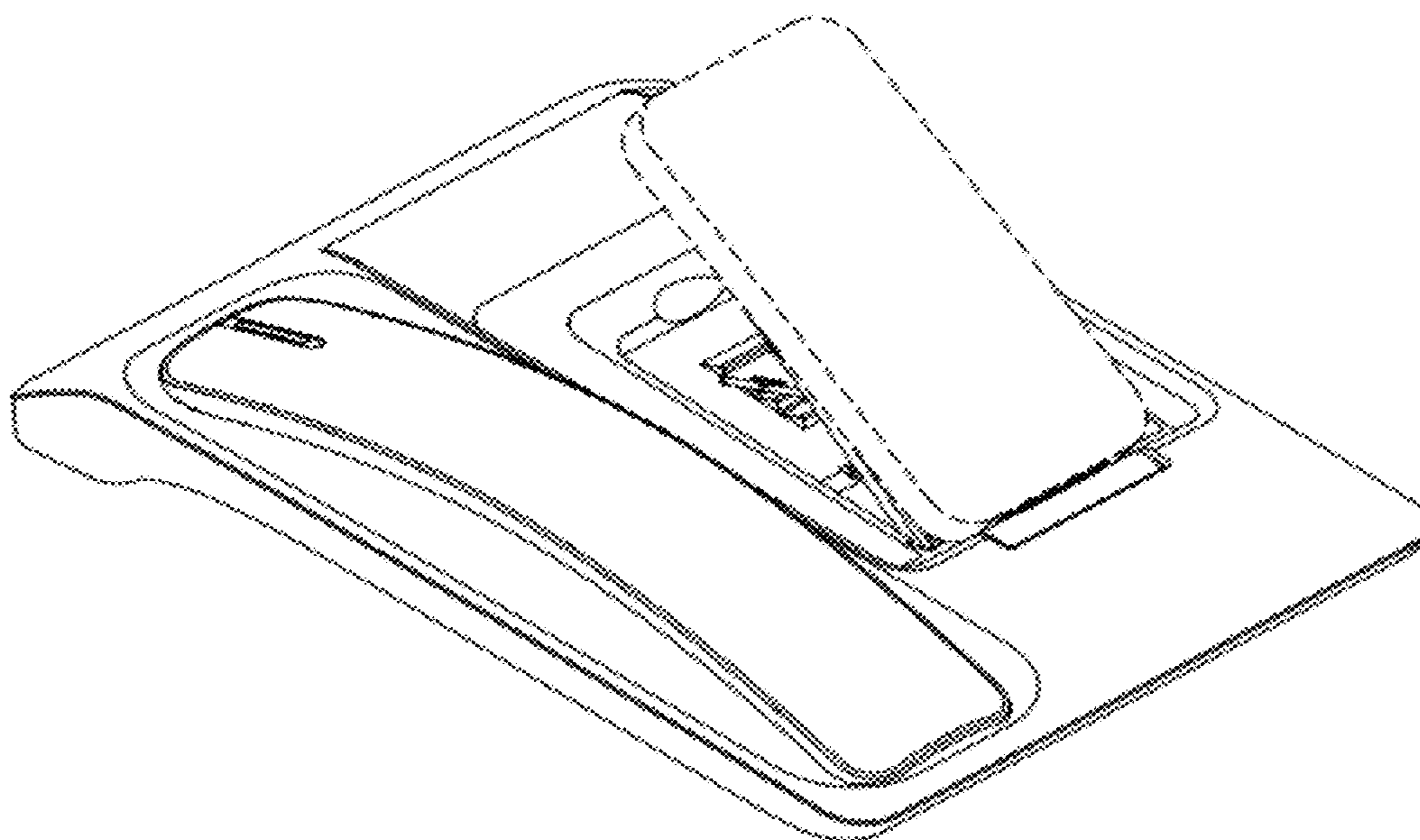


**FIG. 7**



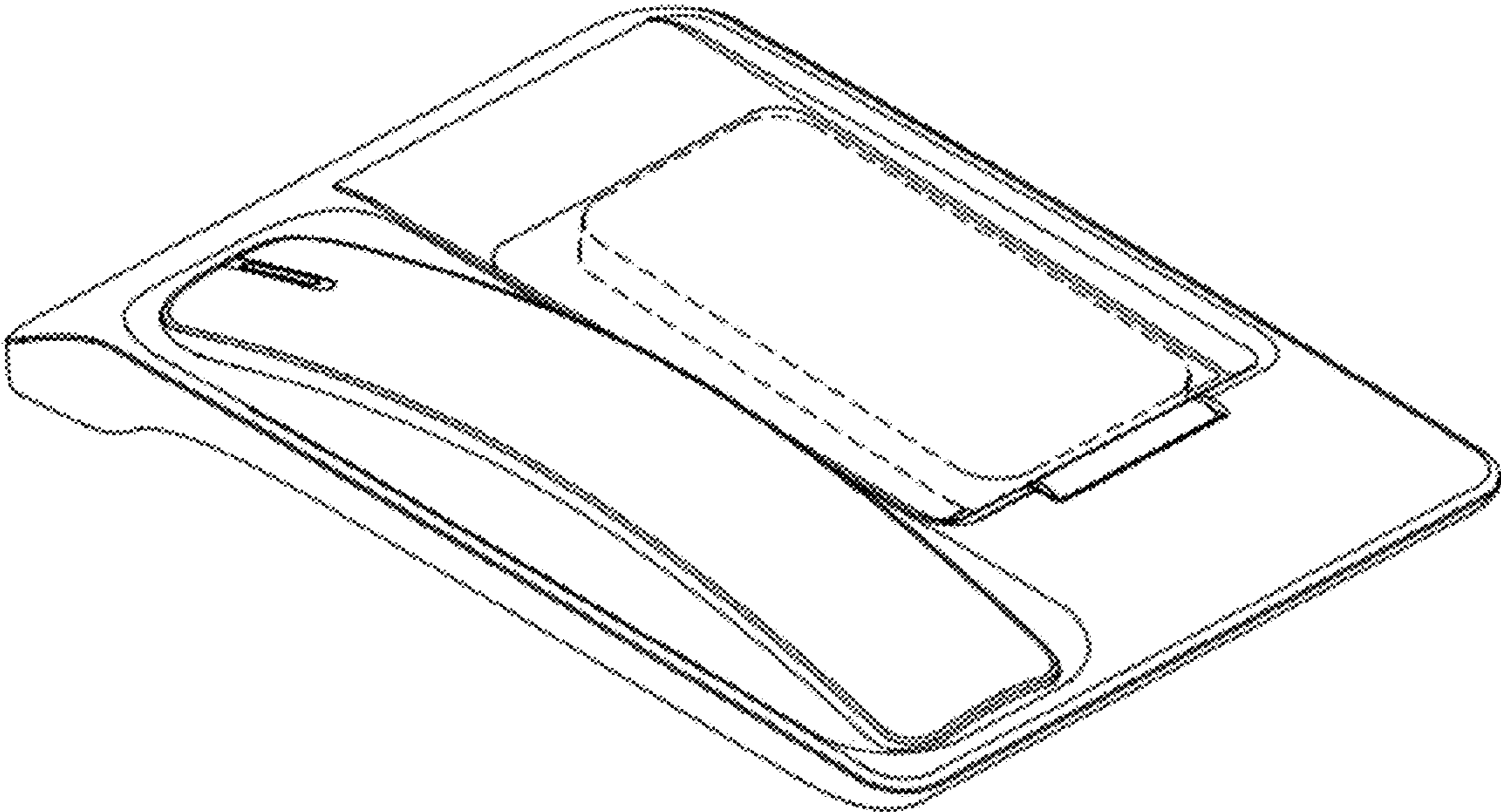


**FIG. 8**



**FIG. 9**





**FIG. 10**