

US00D671934S

(12) **United States Design Patent**  
**Alman et al.**

(10) **Patent No.:** **US D671,934 S**  
(45) **Date of Patent:** **\*\* Dec. 4, 2012**

- (54) **SMARTPHONE, E-READER, TABLET, OR PORTABLE MEDIA PLAYER DISPLAY STAND**
- (75) Inventors: **Norman H. Alman**, Coral Springs, FL (US); **Steve Block**, Plantation, FL (US); **Gerald Davis**, Davie, FL (US)
- (73) Assignee: **Caseworks International, Inc.**, Tamarac, FL (US)
- (\*\*) Term: **14 Years**
- (21) Appl. No.: **29/383,591**
- (22) Filed: **Jan. 19, 2011**
- (51) **LOC (9) Cl.** ..... **14-03**
- (52) **U.S. Cl.** ..... **D14/253**
- (58) **Field of Classification Search** ..... D14/140, D14/217, 224, 224.1, 229, 240, 243, 250–253, D14/299, 344, 434, 447, 451–452, 483, 496; D13/108; 361/679.41; 439/534; 320/115, 320/116, 107; D8/355, 363; D12/415, 418; 379/449, 455, 165; 248/122.1, 127, 157, 248/205.8, 206.2, 279.1, 205.5, 309.1, 309.3, 248/352; D3/201, 218, 269, 273, 301; D11/79; 63/26

See application file for complete search history.

(56) **References Cited**

U.S. PATENT DOCUMENTS

- D279,674 S \* 7/1985 Harley ..... D14/251
  - D602,913 S \* 10/2009 Han et al. .... D14/217
  - D604,418 S \* 11/2009 Jones et al. .... D24/169
  - D625,715 S \* 10/2010 Adams, II ..... D14/253
  - 2002/0193141 A1\* 12/2002 Wu ..... 455/556
- \* cited by examiner

*Primary Examiner* — Raphael Barkai  
*Assistant Examiner* — Randall Gholson  
(74) *Attorney, Agent, or Firm* — Jamin D. Rubenstein

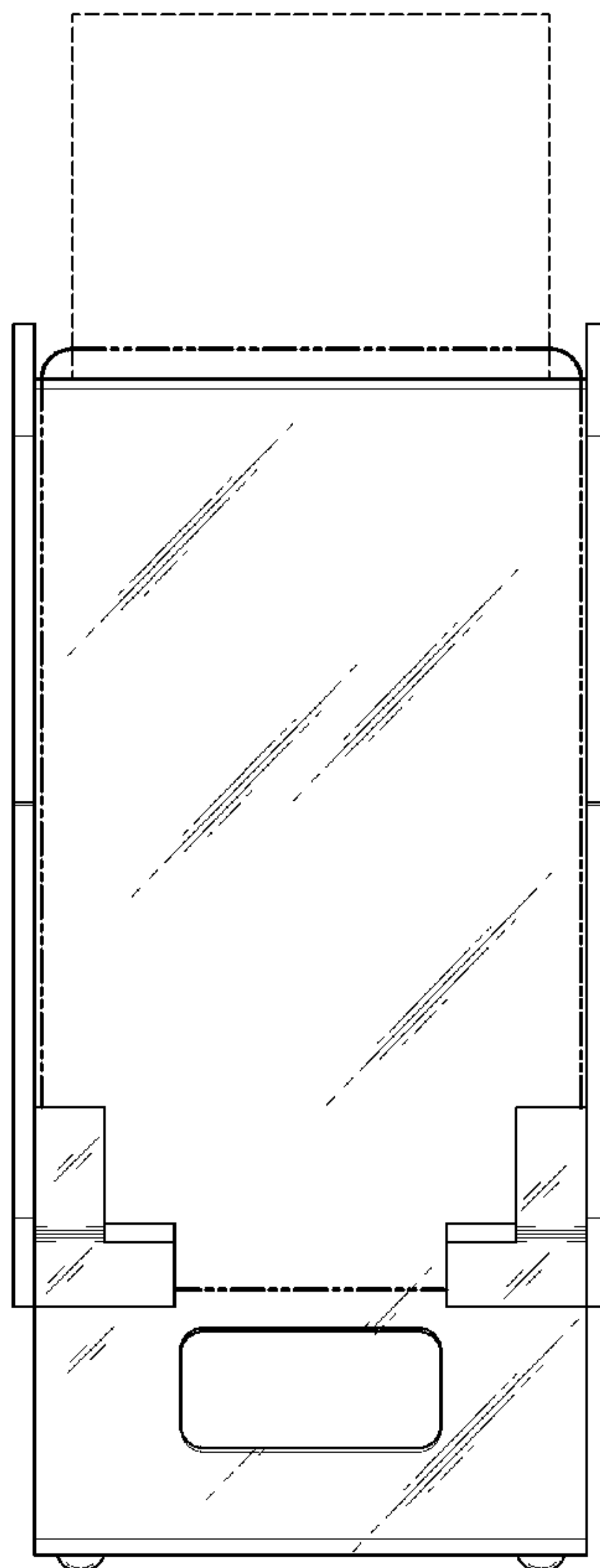
(57) **CLAIM**

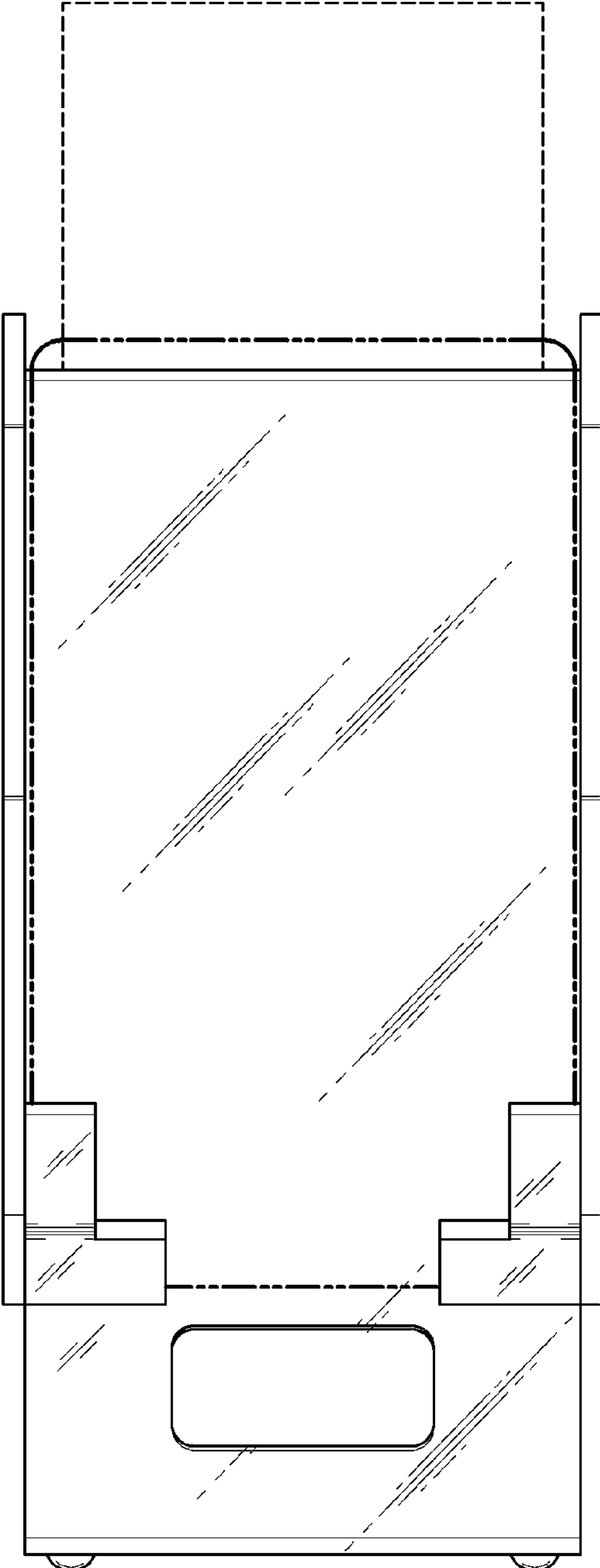
The ornamental design for a smartphone, e-reader, tablet, or portable media player display stand, as shown and described.

**DESCRIPTION**

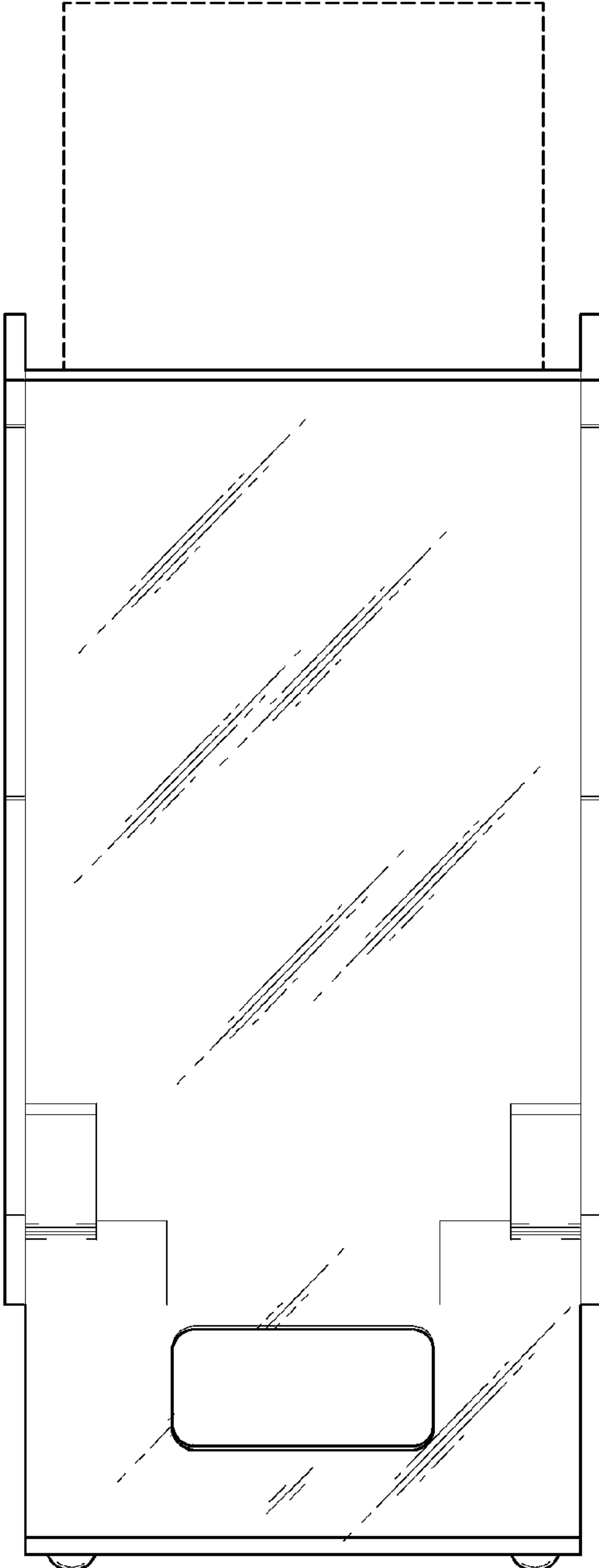
FIG. 1 is a front view of the display stand; FIG. 2 is a back view of the display stand; FIG. 3 is a side view of the display stand; FIG. 4 is a top view of the display stand; and FIG. 5 is a bottom view of the display stand. The areas within the dashed lines shown in FIG. 1, FIG. 2, FIG. 3, and FIG. 4 are for illustrative purposes only and form no part of the claimed design. Each display stand may have additional elements in this area. The phantom lines shown in FIG. 1 are for illustrative purposes only, and form no part of the claimed design.

**1 Claim, 3 Drawing Sheets**

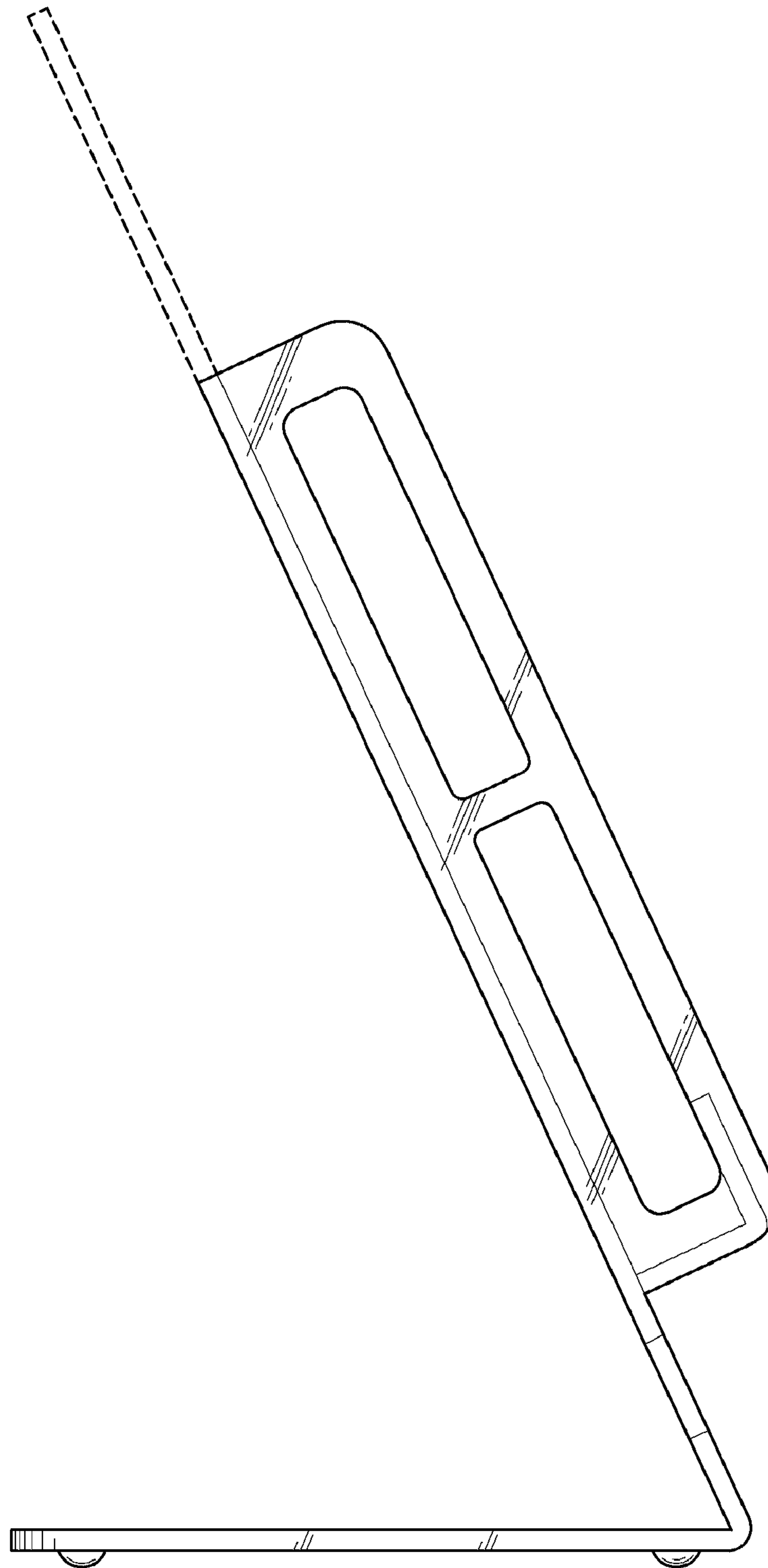




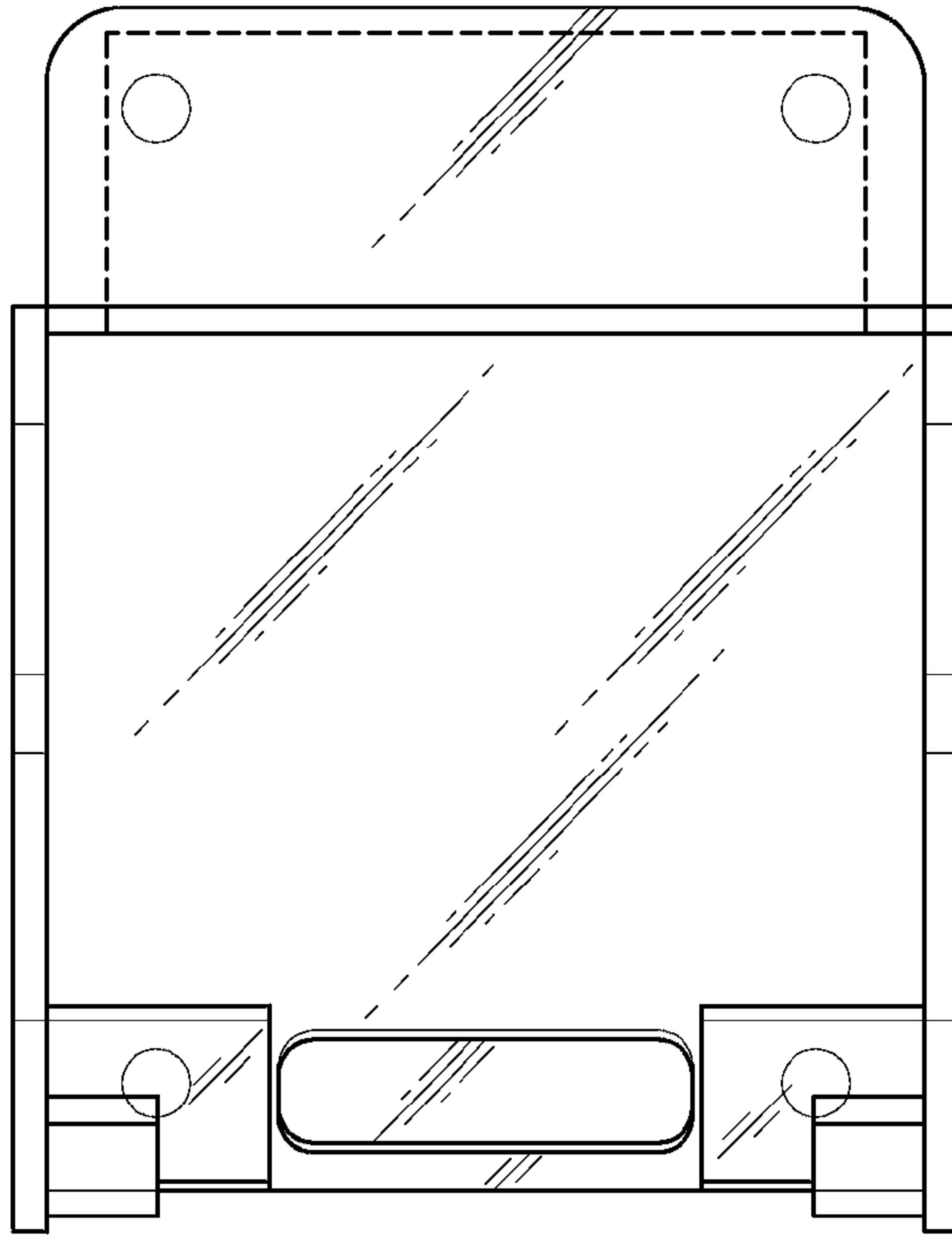
*Fig. 1*



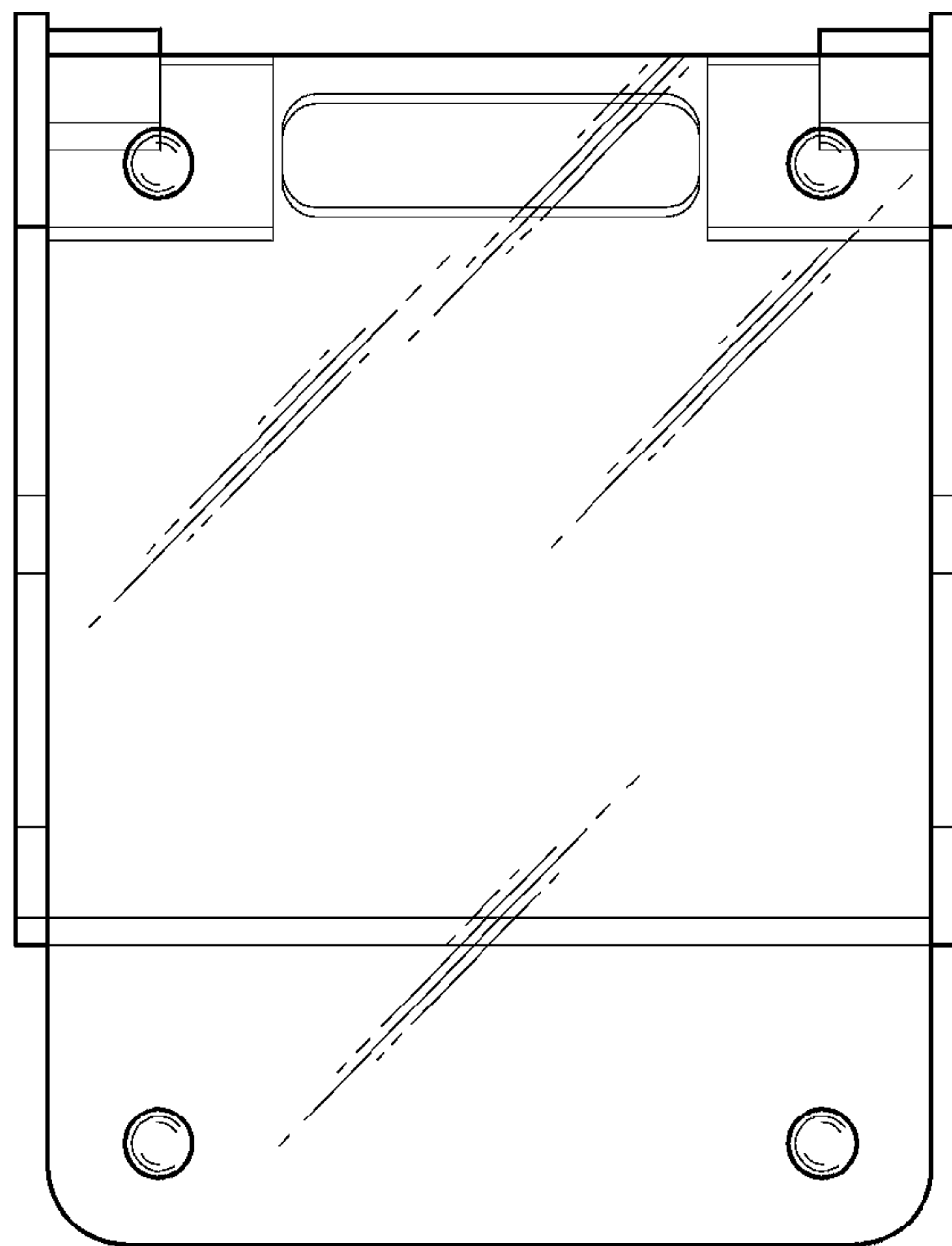
*Fig. 2*



*Fig. 3*



*Fig. 4*



*Fig. 5*