



US00D671925S

(12) **United States Design Patent**  
**Tsuda et al.**

(10) **Patent No.:** **US D671,925 S**  
(45) **Date of Patent:** **\*\* Dec. 4, 2012**

- (54) **MANAGEMENT STATION FOR WIRELESS FIELD DEVICE**
- (75) Inventors: **Toshiro Tsuda**, Tokyo (JP); **Noriaki Senba**, Tokyo (JP)
- (73) Assignee: **Yokogawa Electric Corporation**, Tokyo (JP)
- (\*\*) Term: **14 Years**
- (21) Appl. No.: **29/409,714**
- (22) Filed: **Dec. 28, 2011**
- (51) **LOC (9) Cl.** ..... **14-03**
- (52) **U.S. Cl.** ..... **D14/240; D14/358**
- (58) **Field of Classification Search** ..... D14/240, D14/242, 357, 358, 140-140.9, 155, 137, D14/139, 243, 348, 349, 351, 354, 355; 375/222; 455/557; 725/111  
See application file for complete search history.

(56) **References Cited**

**U.S. PATENT DOCUMENTS**

D474,772 S *	5/2003	Deguchi et al.	.....	D14/433
D485,550 S *	1/2004	Deguchi et al.	.....	D14/240
D541,263 S *	4/2007	Yao	.....	D14/240
D542,284 S *	5/2007	Kim	.....	D14/240
D597,519 S *	8/2009	Nakano et al.	.....	D14/140.3
D606,542 S *	12/2009	Lu et al.	.....	D14/356

D635,561 S *	4/2011	Nakashima	.....	D14/240
D654,066 S *	2/2012	Yi et al.	.....	D14/240
2006/0270451 A1 *	11/2006	Best et al.	.....	455/557
2007/0177615 A1 *	8/2007	Miliefsky	.....	370/401
2011/0117957 A1 *	5/2011	McManus et al.	.....	455/552.1

**FOREIGN PATENT DOCUMENTS**

CN 301633730 \* 8/2011  
\* cited by examiner

*Primary Examiner* — Bridget L Eland  
(74) *Attorney, Agent, or Firm* — Sughrue Mion, PLLC

(57) **CLAIM**

The ornamental design for a management station for wireless field device, as shown and described.

**DESCRIPTION**

FIG. 1 is a perspective view of front, top plan and right side of a management station for wireless field device according to our new design;  
FIG. 2 is a front view thereof;  
FIG. 3 is a rear view thereof;  
FIG. 4 is a left side view thereof;  
FIG. 5 is a right side view thereof;  
FIG. 6 is a top plan view thereof; and,  
FIG. 7 is a bottom view thereof.

**1 Claim, 5 Drawing Sheets**

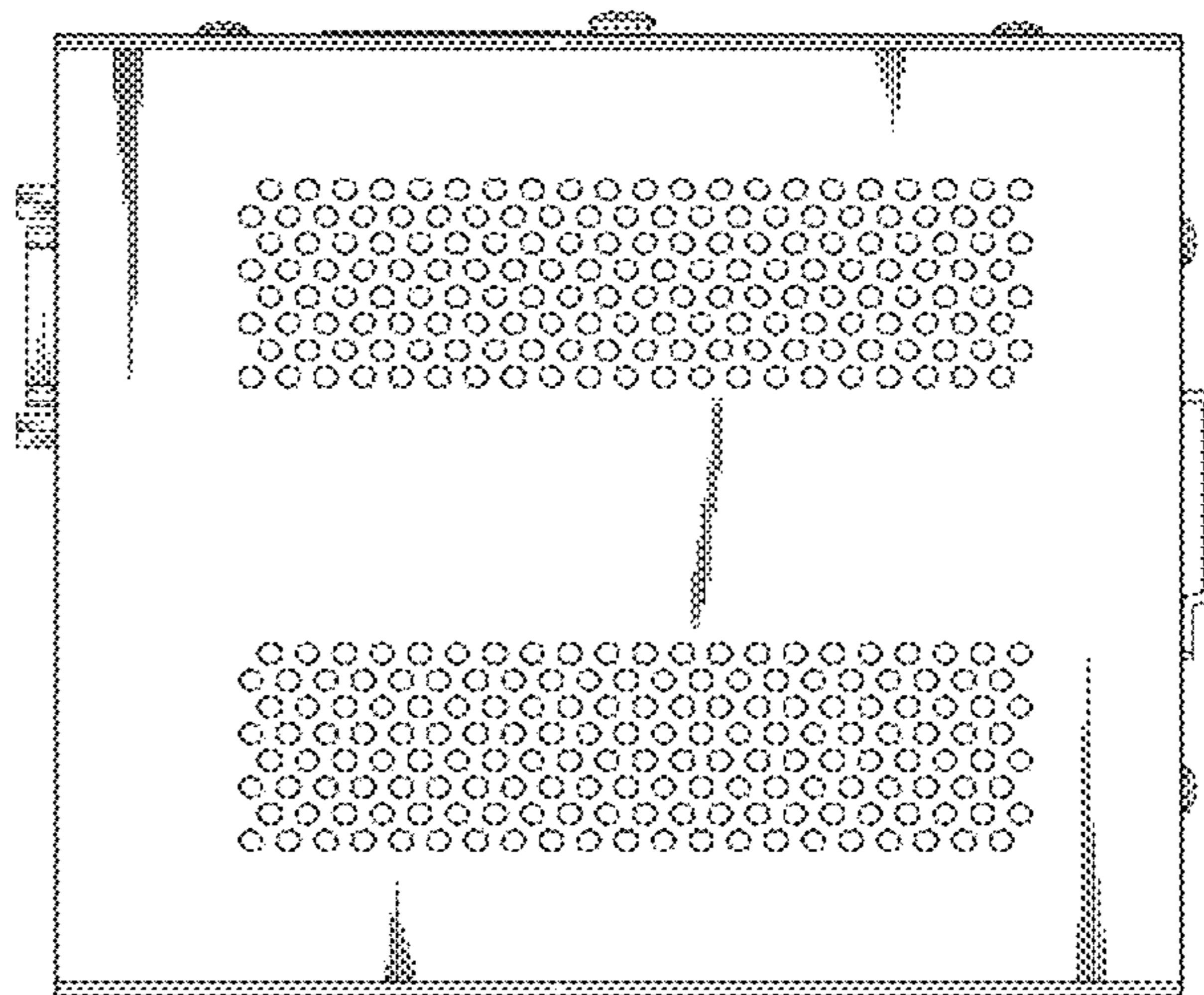
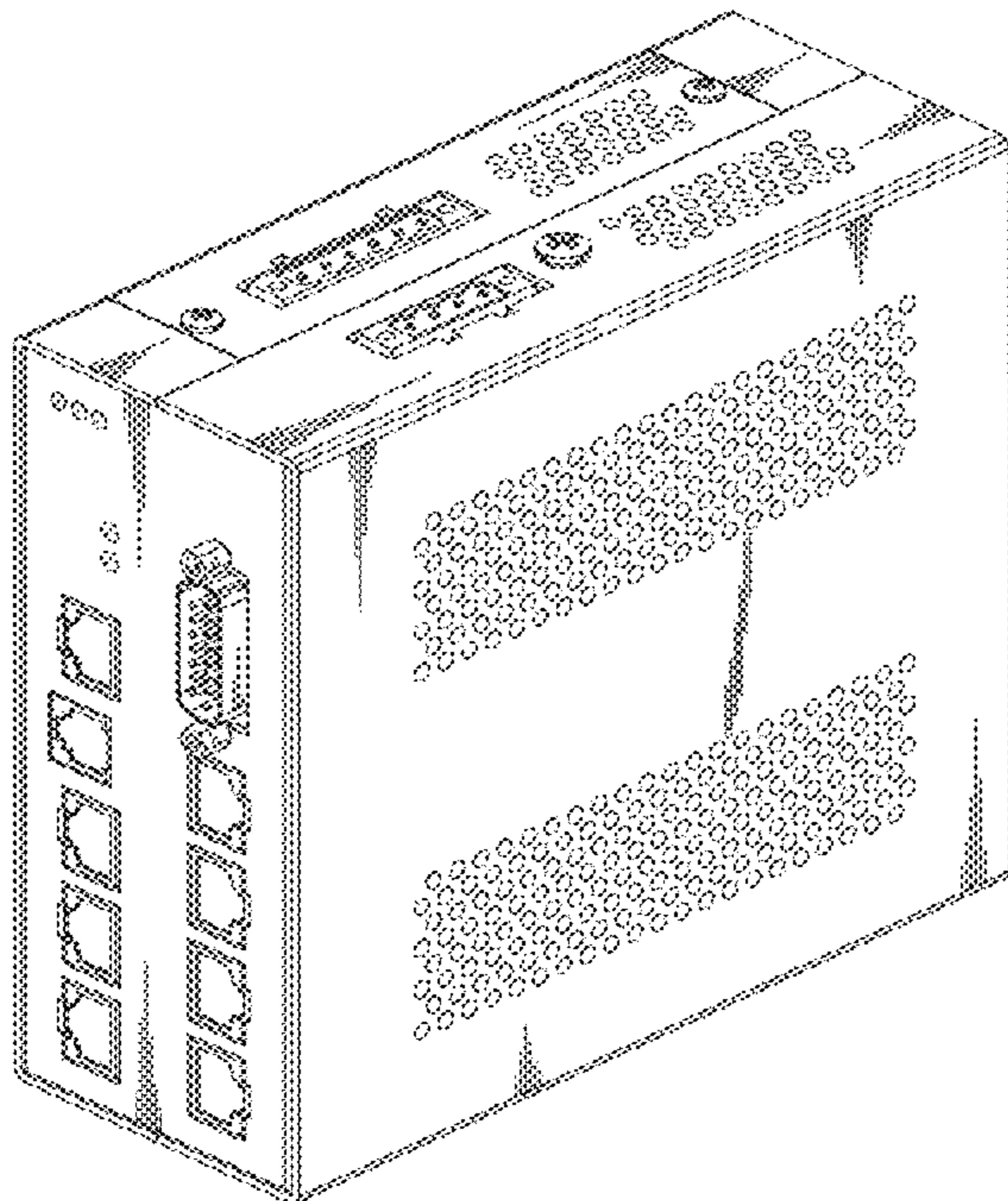


Fig. 1

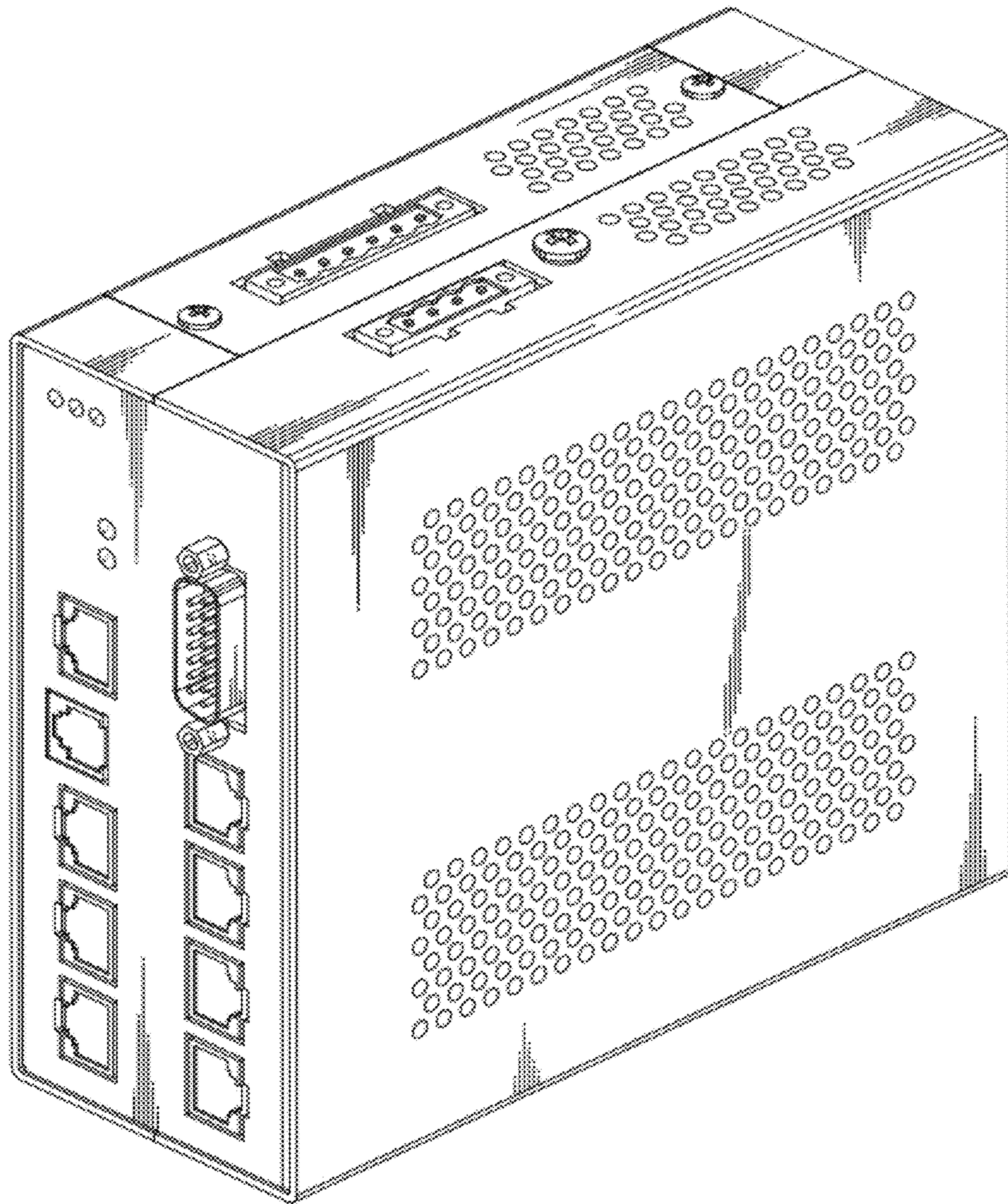


Fig. 2

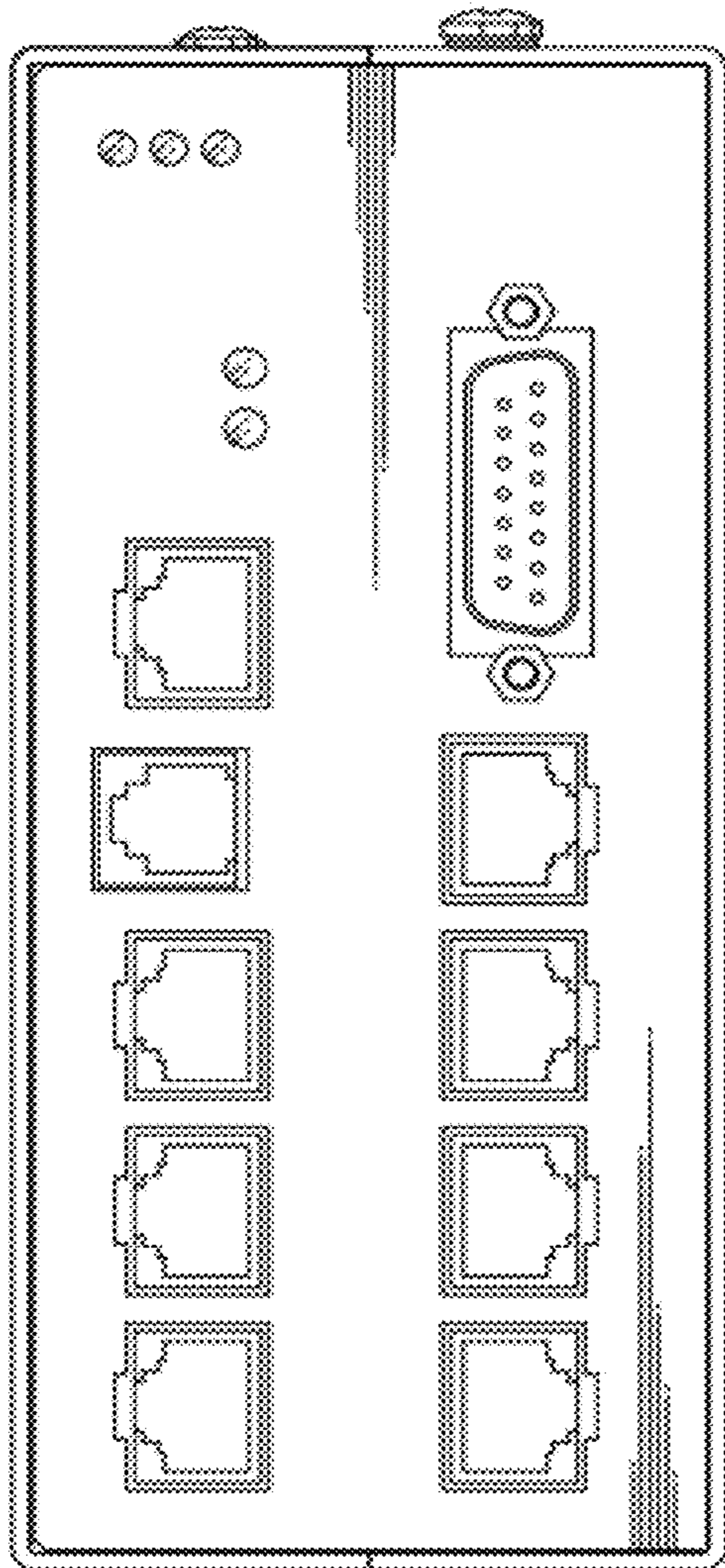


Fig. 3

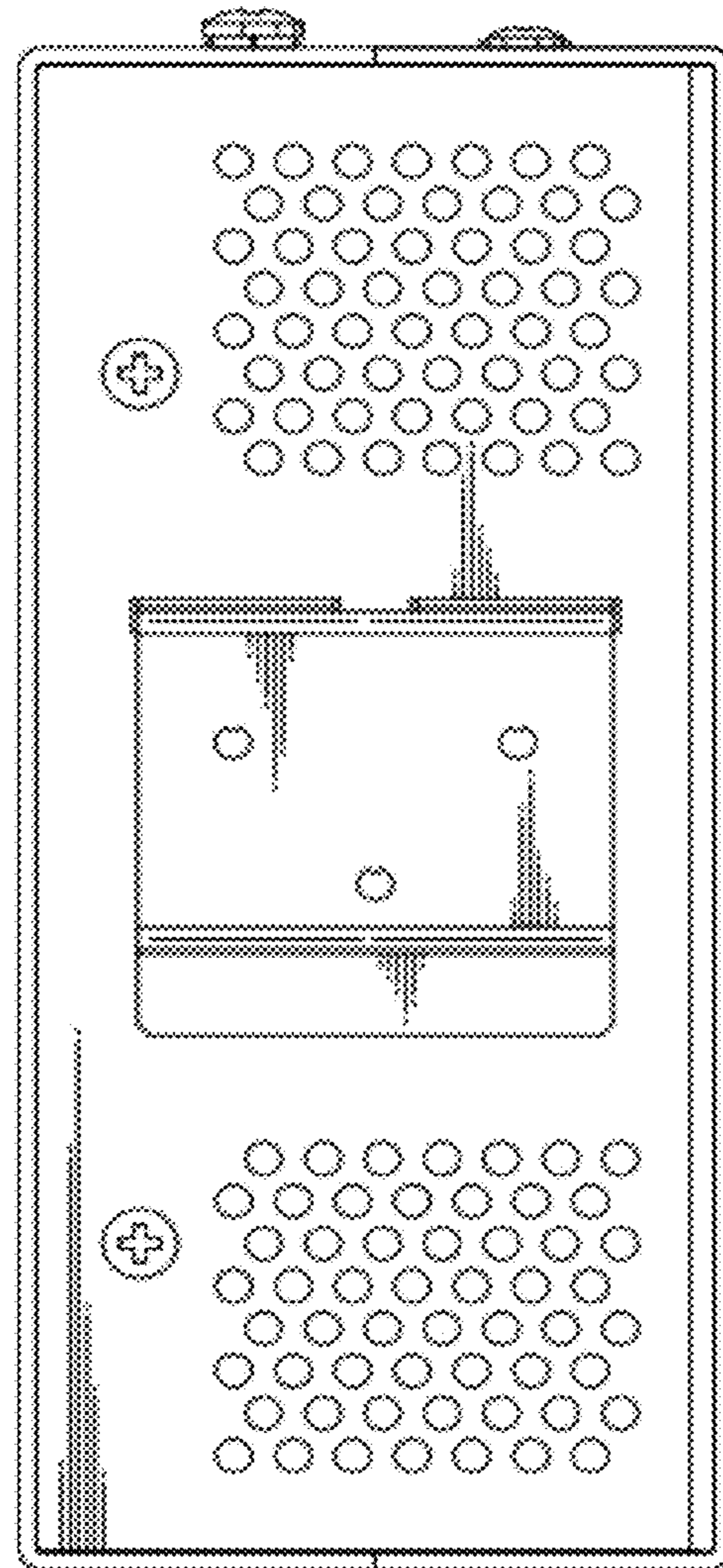


Fig. 4

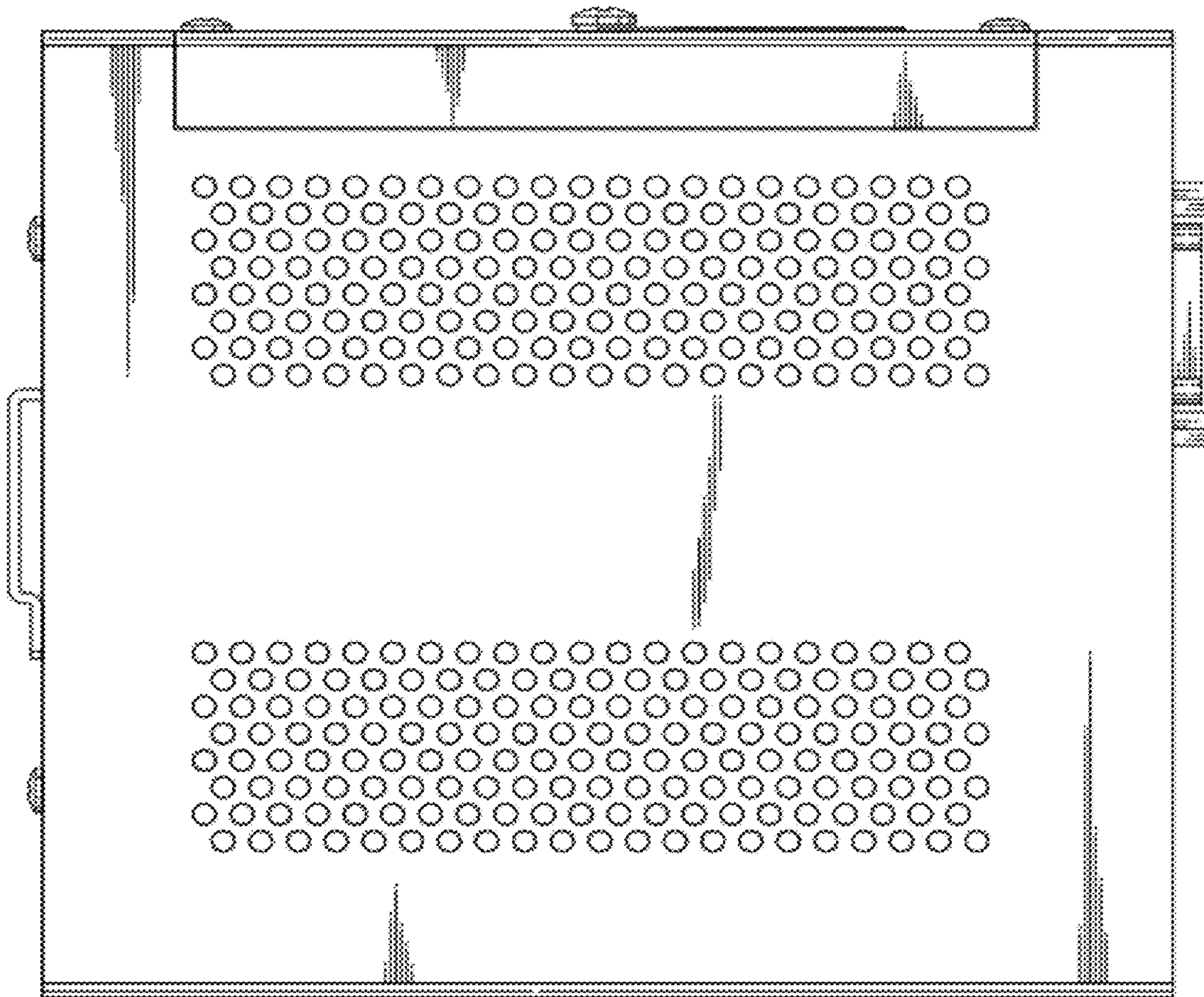


Fig. 5

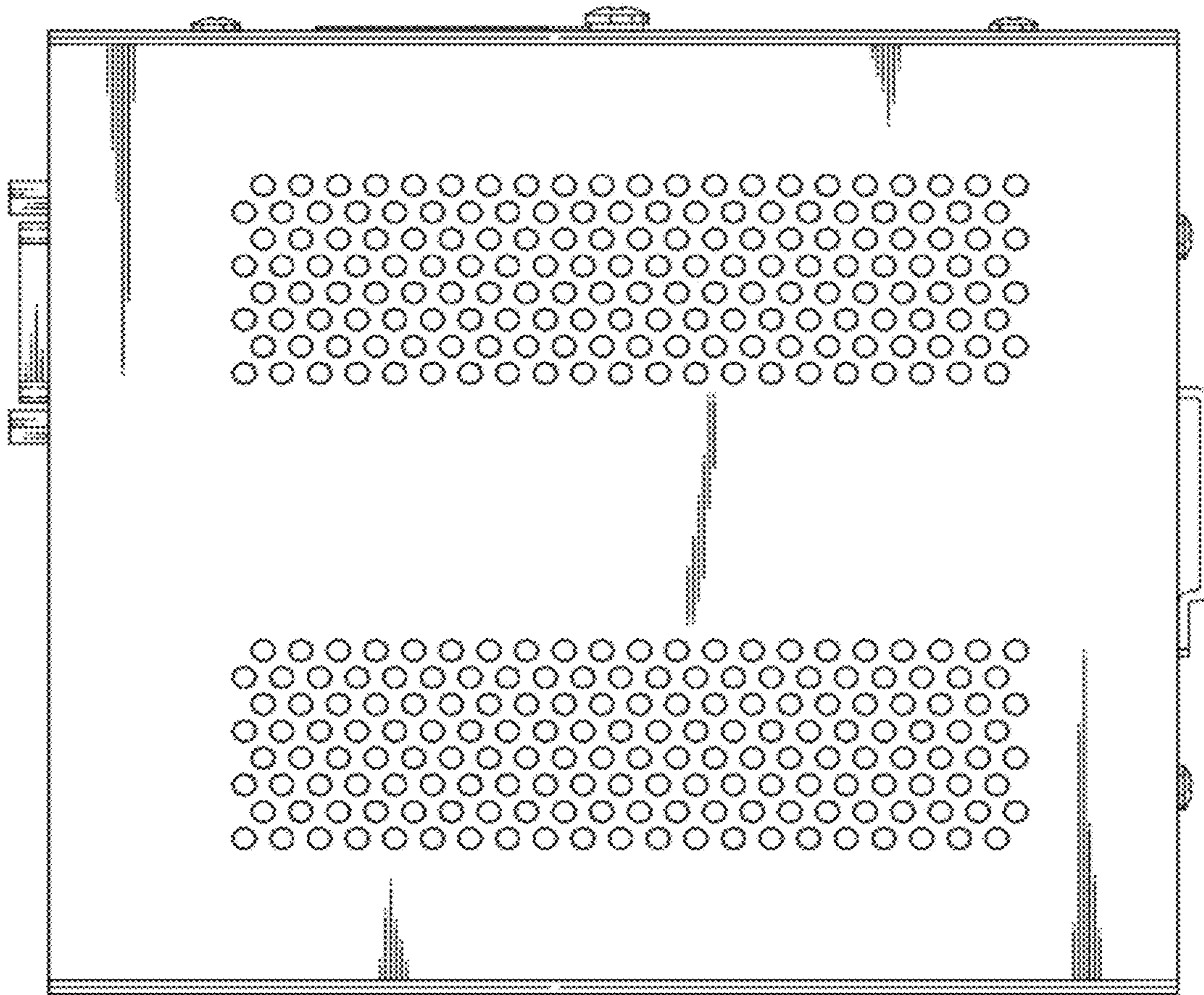


Fig. 6

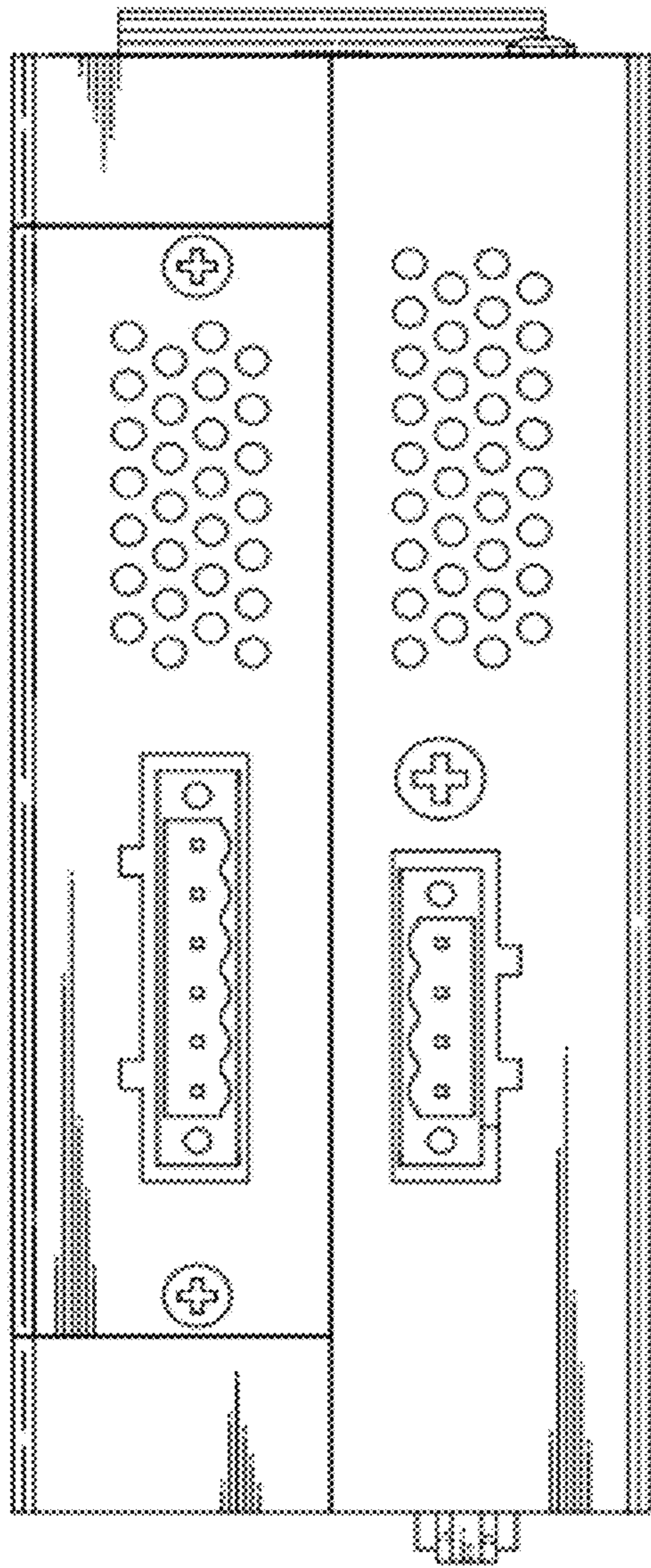


Fig. 7

