



US00D671923S

(12) **United States Design Patent**  
**Seong et al.**

(10) **Patent No.:** **US D671,923 S**  
(45) **Date of Patent:** **\*\* Dec. 4, 2012**

- (54) **STAND FOR A DISPLAY DEVICE**
- (75) Inventors: **Bo-Kyung Seong**, Seoul (KR); **Eui-Seok Kim**, Kyunggi-do (KR)
- (73) Assignee: **Samsung Electronics Co., Ltd.**, Suwon-si (KR)
- (\*\*) Term: **14 Years**
- (21) Appl. No.: **29/422,967**
- (22) Filed: **May 25, 2012**

- D656,115 S 3/2012 Kim et al.
- D656,116 S 3/2012 Kim et al.
- D656,471 S 3/2012 Han et al.
- D656,913 S 4/2012 Ann et al.
- D656,915 S 4/2012 Hwangbo et al.

**OTHER PUBLICATIONS**

- U.S. Appl. No. 29/422,326, Applicant: Jung-Hyun Lee, et al., filed May 18, 2012 entitled Monitor.
- U.S. Appl. No. 29/422,068, Applicant: Dong-Hee Won, et al., filed May 16, 2012 entitled TV Receiver.
- U.S. Appl. No. 29/415,213, Applicant: Kyoung-Hoon, Kim, et al., filed Mar. 8, 2012 entitled TV Receiver.
- U.S. Appl. No. 29/418,384, Applicant: Chae-Joo Son, et al., filed Apr. 16, 2012 entitled Rim for a TV Receiver.

(30) **Foreign Application Priority Data**

Dec. 20, 2011 (KR) ..... 30-2011-0054248

- (51) **LOC (9) Cl.** ..... **14-03**
- (52) **U.S. Cl.** ..... **D14/239**
- (58) **Field of Classification Search** ..... D14/447,  
D14/451, 452, 239, 432, 434, 439, 448, 457,  
D14/251, 253, 224, 224.1, 126, 127, 371,  
D14/373, 374, 375; D8/363, 373, 380; 248/917,  
248/918, 919, 920, 921, 922, 923, 924, 441.1,  
248/460, 122.1, 125.7, 371, 176.1, 176.3,  
248/222.52, 276.1, 324; 361/679.06, 679.04,  
361/679.21, 679.22, 679.56

See application file for complete search history.

\* cited by examiner

*Primary Examiner* — Raphael Barkai

*Assistant Examiner* — Randall Gholson

(74) *Attorney, Agent, or Firm* — Flynn, Thiel, Boutell & Tanis, P.C.

(57) **CLAIM**

The ornamental design for a stand for a display device, as shown and described.

**DESCRIPTION**

FIG. 1 is a top front perspective view of a stand for a display device showing our new design;  
 FIG. 2 is a front elevational view thereof;  
 FIG. 3 is a rear elevational view thereof;  
 FIG. 4 is a left side elevational view thereof;  
 FIG. 5 is a right side elevational view thereof;  
 FIG. 6 is a top plan view thereof;  
 FIG. 7 is a bottom plan view thereof; and,  
 FIG. 8 is a front view thereof when the present stand is combined with a TV body.

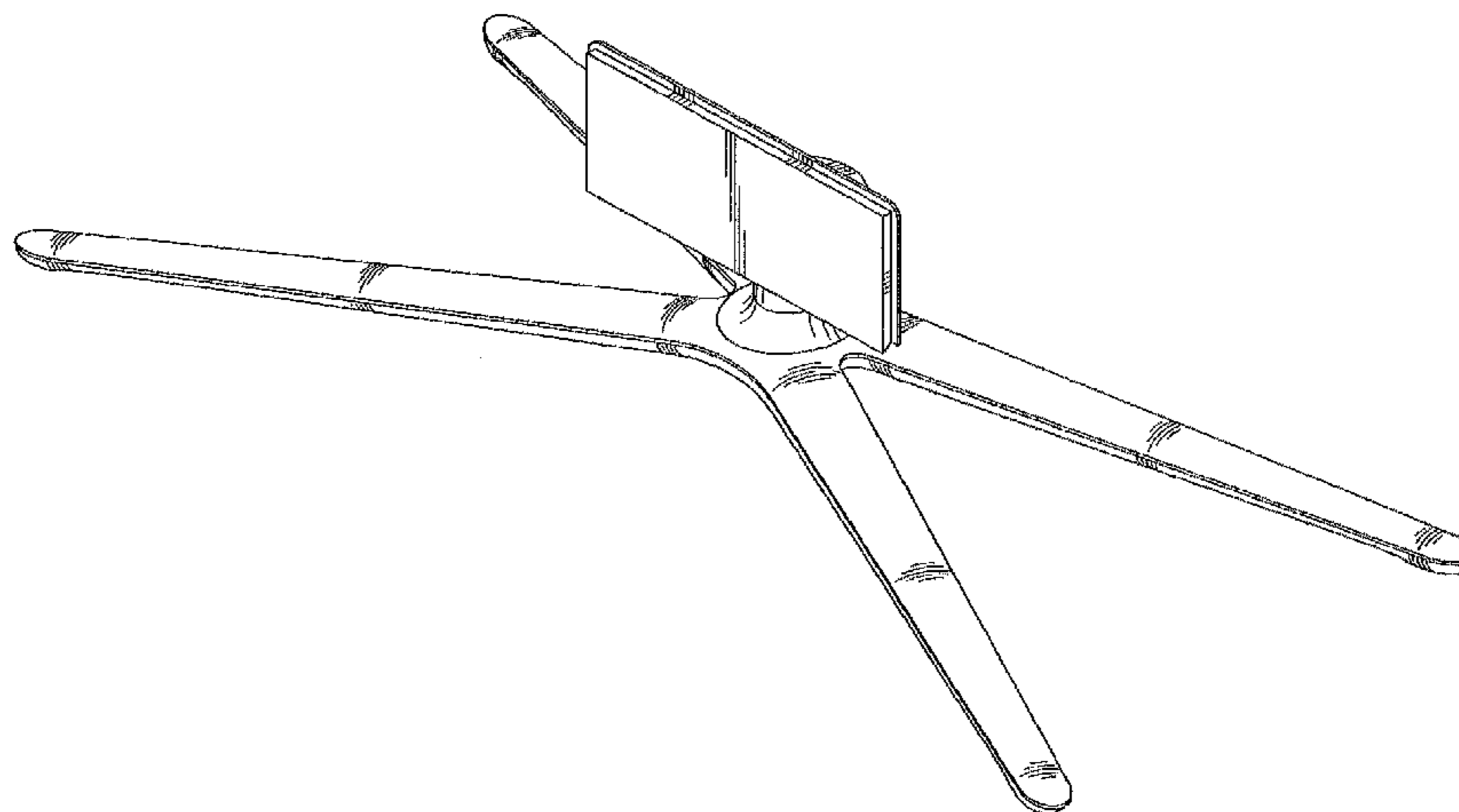
The broken lines shown on the stand for a display device are included for the purpose of illustration only and form no part of the claimed design.

**1 Claim, 4 Drawing Sheets**

(56) **References Cited**

**U.S. PATENT DOCUMENTS**

- D243,346 S \* 2/1977 Samuels ..... D27/192
- D427,169 S \* 6/2000 Saeki et al. .... D14/126
- D439,225 S \* 3/2001 Kita ..... D14/126
- D453,747 S \* 2/2002 Kita ..... D14/126
- D469,432 S \* 1/2003 Tsuji ..... D14/375
- D492,269 S \* 6/2004 Kita ..... D14/126
- D497,599 S \* 10/2004 Kita ..... D14/126
- D620,901 S 8/2010 Won et al.
- D620,903 S 8/2010 Song et al.
- D643,389 S 8/2011 Lee et al.
- D643,390 S 8/2011 Han et al.
- D644,620 S 9/2011 Song et al.



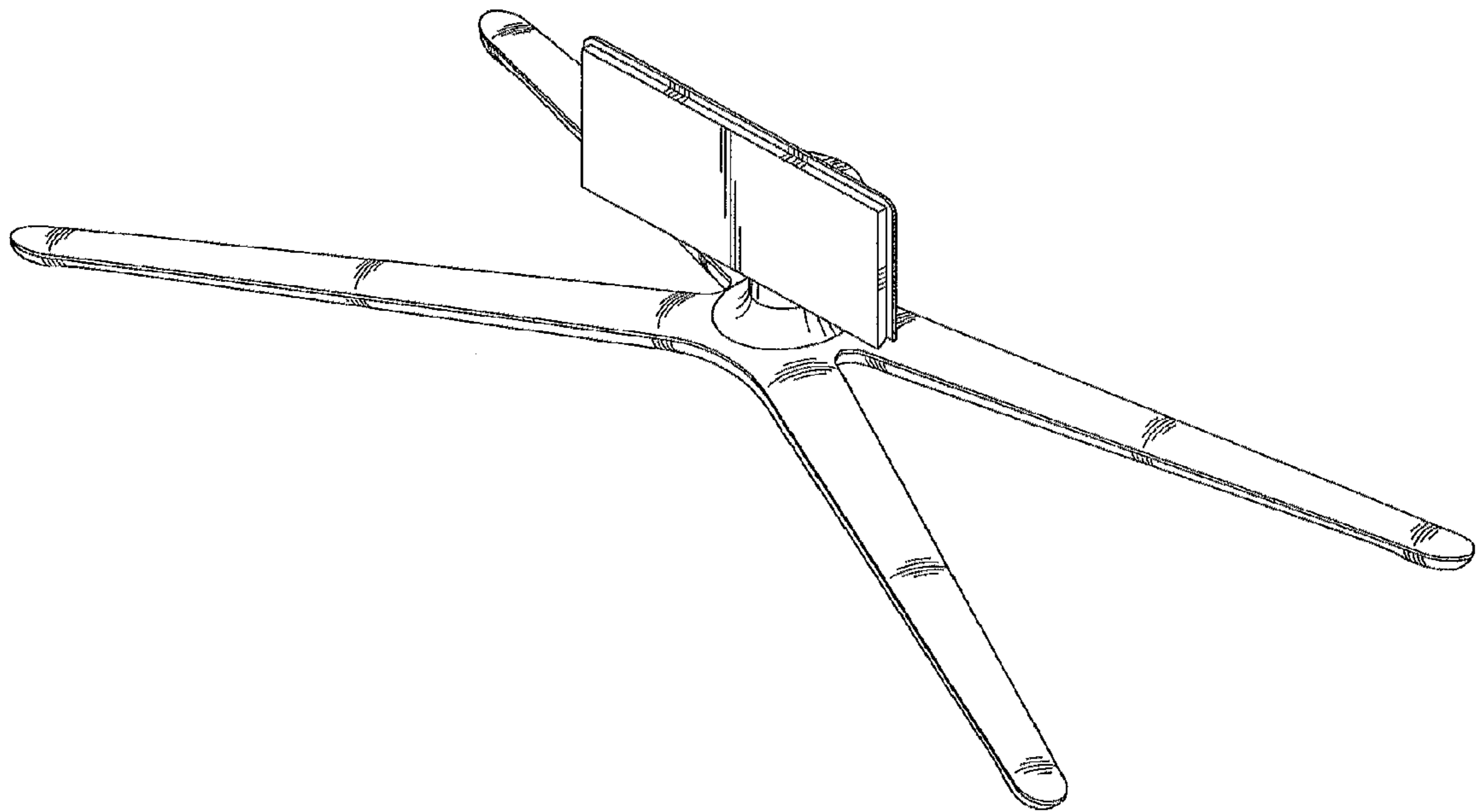


FIG.1

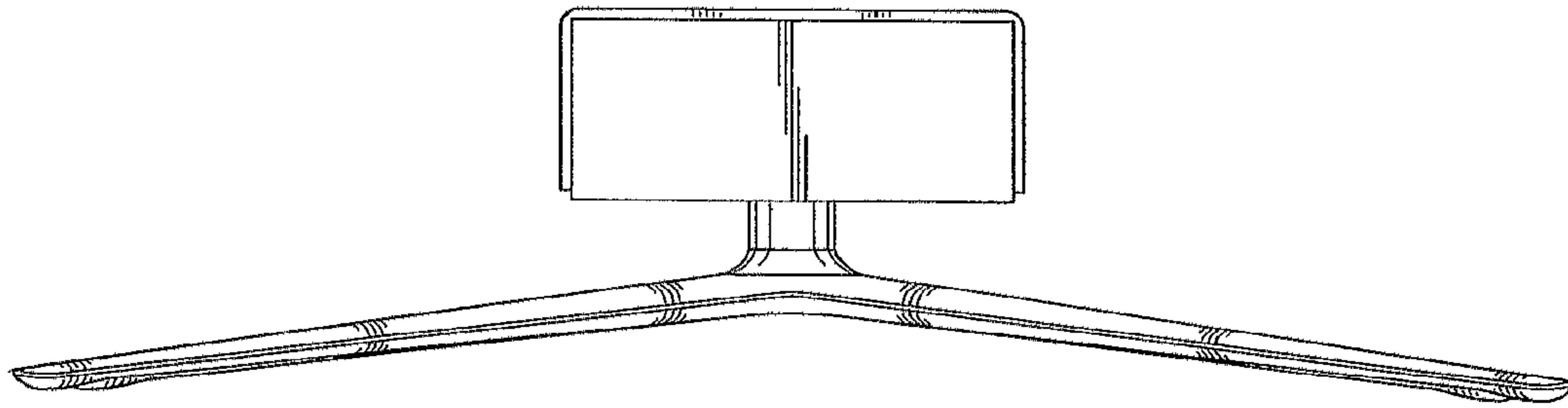


FIG. 2

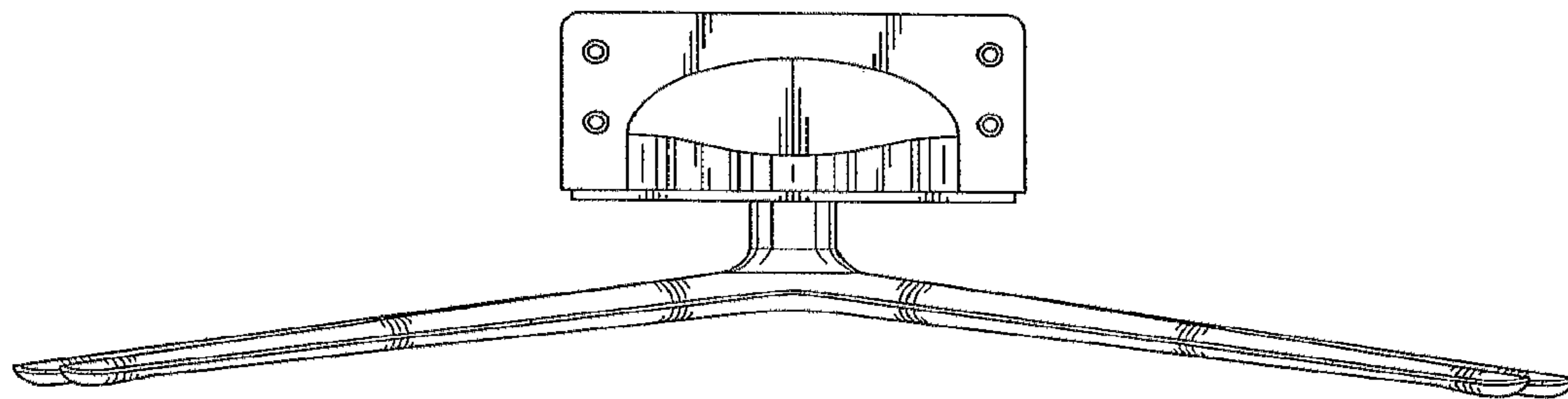


FIG. 3

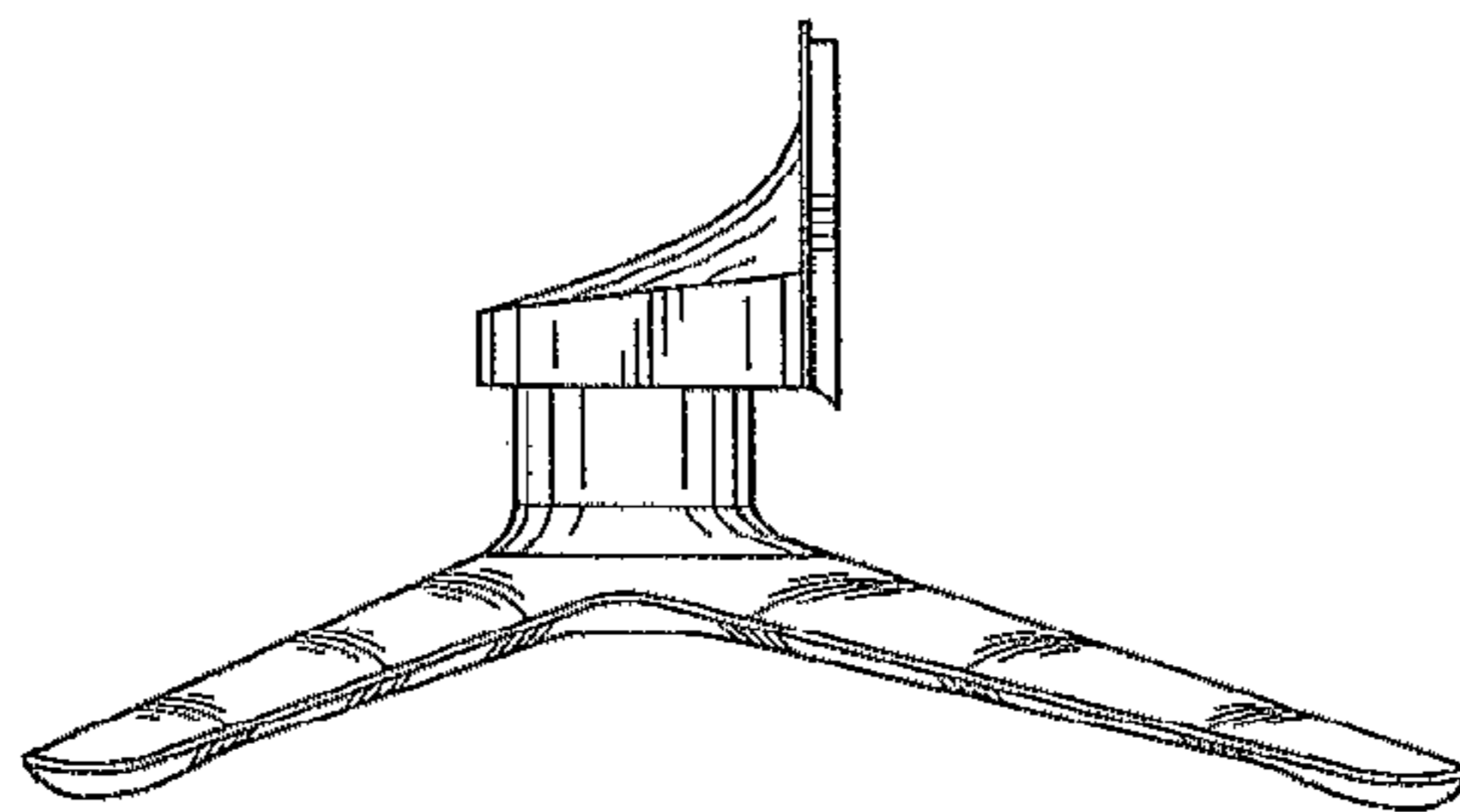


FIG. 4

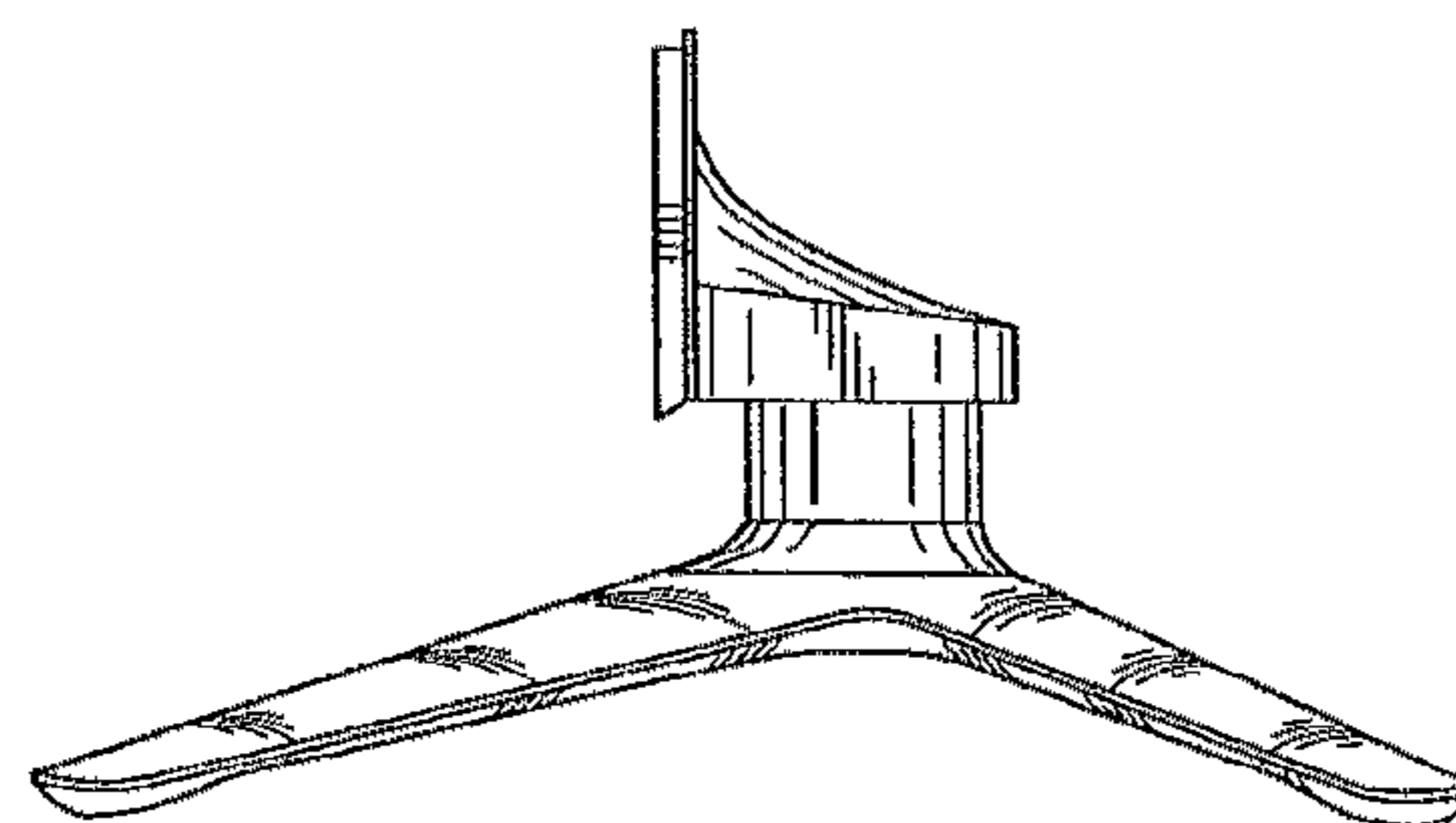


FIG. 5

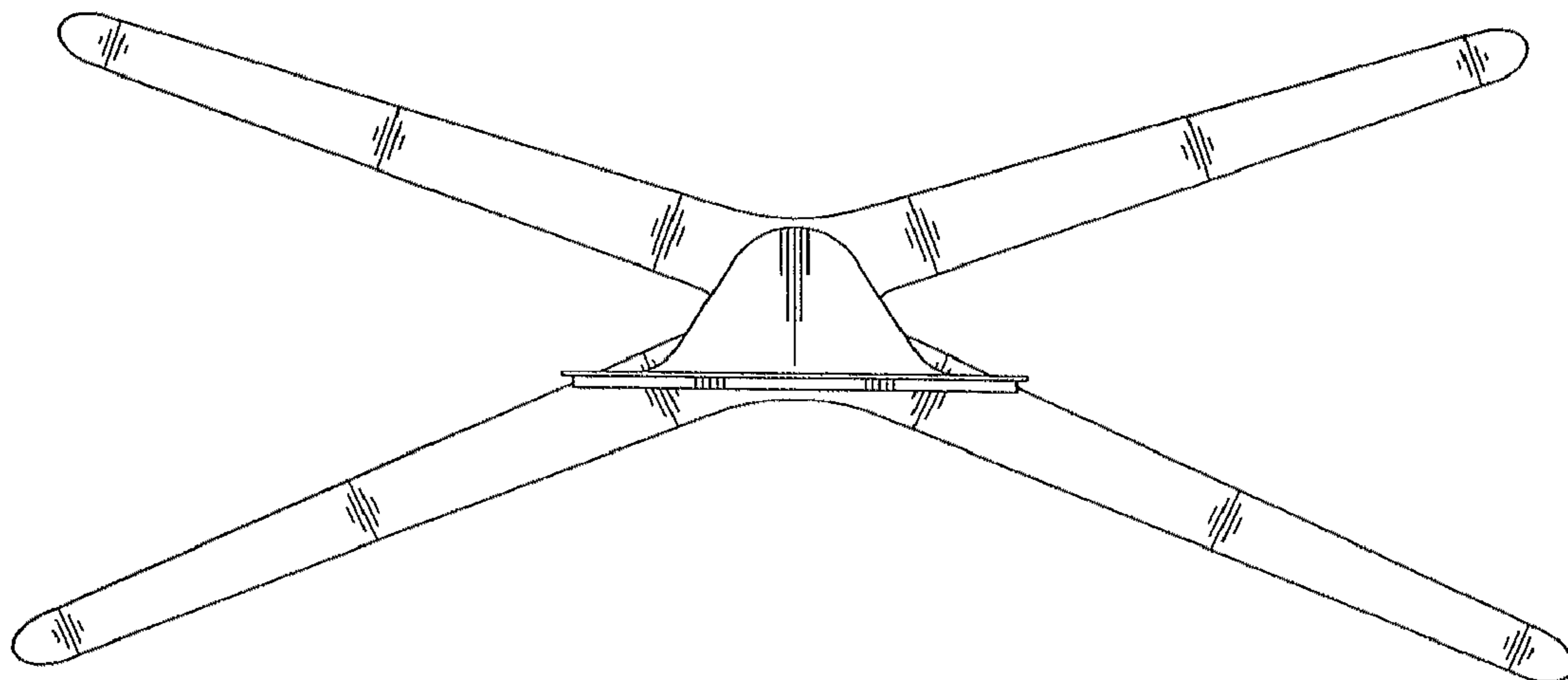


FIG. 6

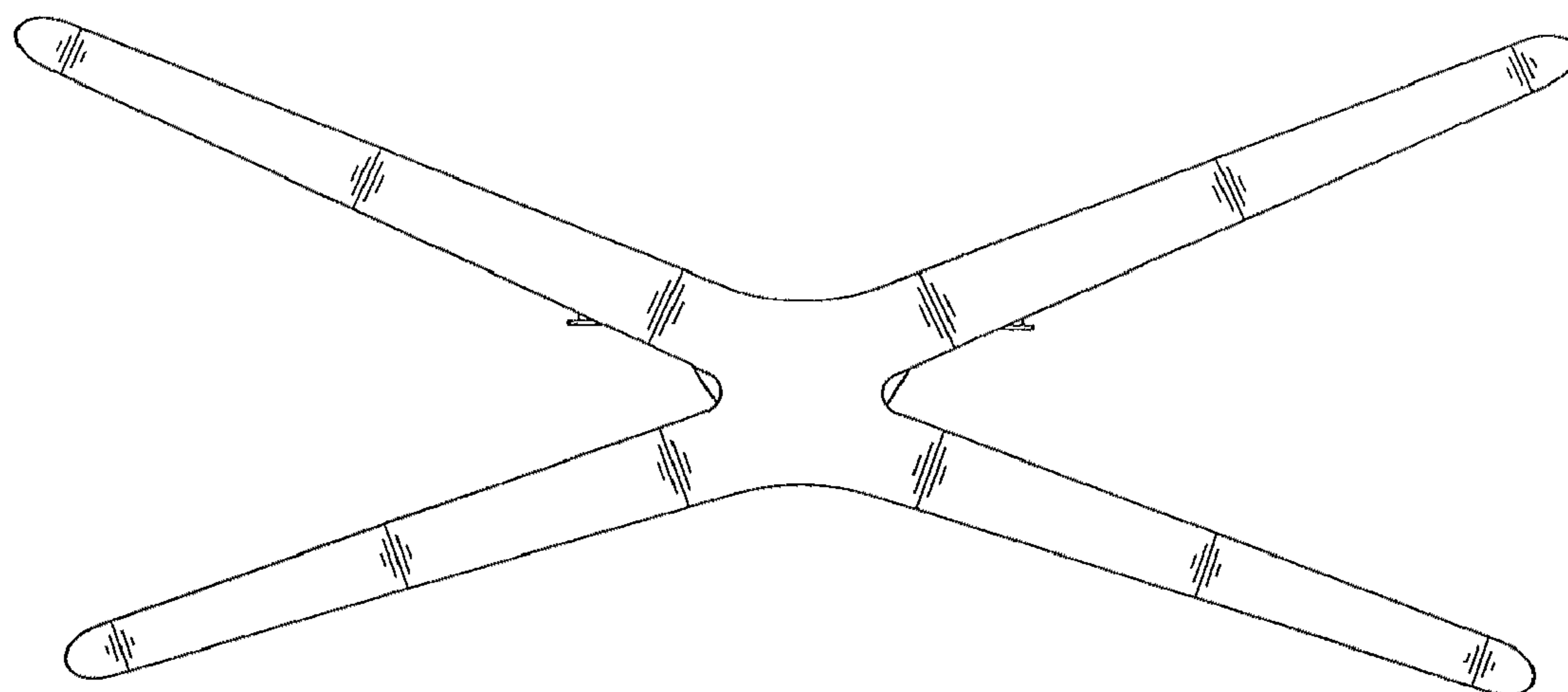


FIG. 7

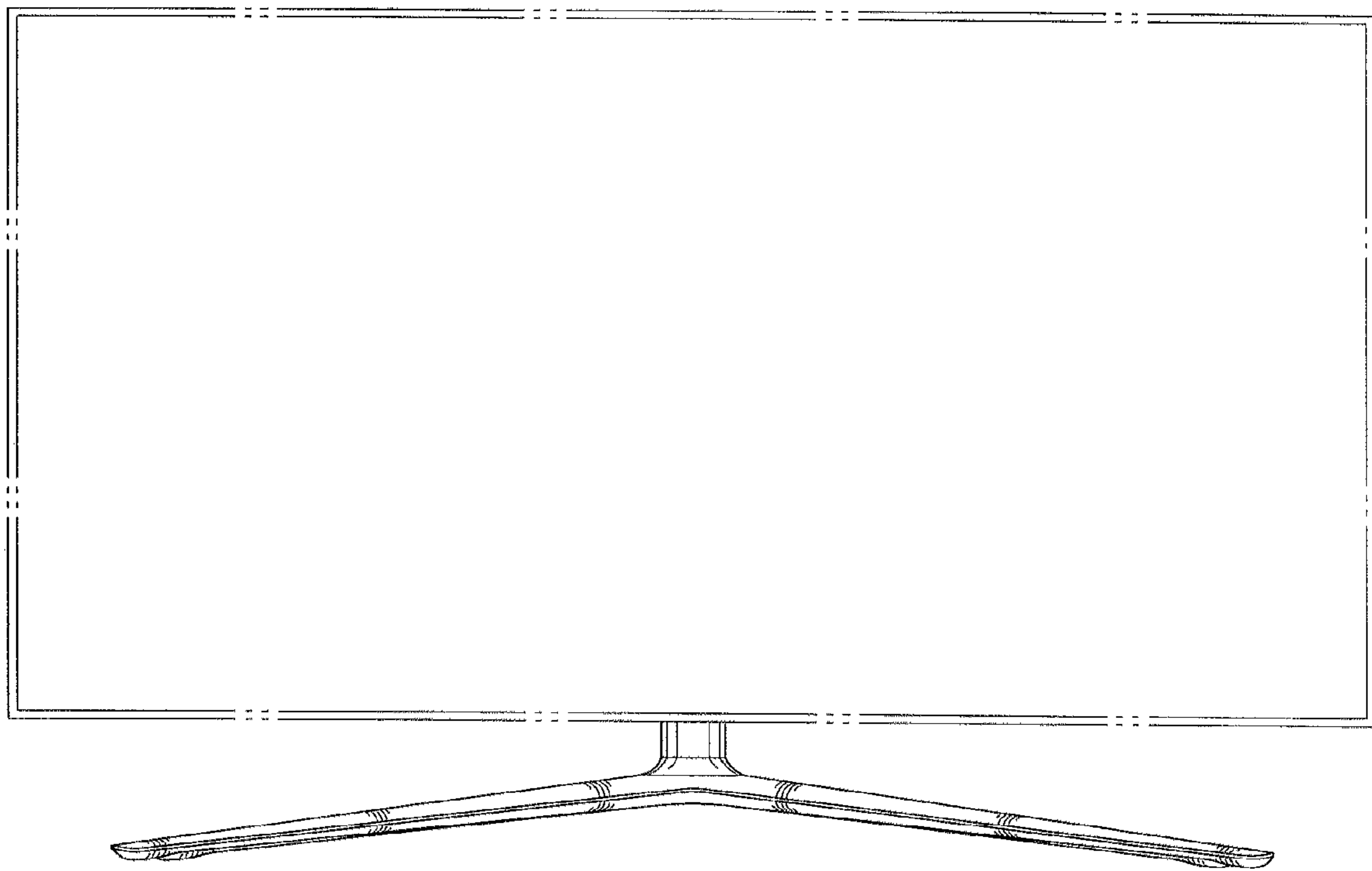


FIG. 8