



US00D671922S

(12) **United States Design Patent**
Sexton

(10) **Patent No.:** **US D671,922 S**
(45) **Date of Patent:** **** Dec. 4, 2012**

(54) **TV MOUNT**

(75) Inventor: **James S. Sexton**, San Ramon, CA (US)

(73) Assignee: **Z-Line Designs, Inc.**, San Ramon, CA (US)

(**) Term: **14 Years**

(21) Appl. No.: **29/414,169**

(22) Filed: **Feb. 24, 2012**

(51) **LOC (9) Cl.** **14-03**

(52) **U.S. Cl.** **D14/239**

(58) **Field of Classification Search** D14/125-134, D14/239, 371, 136, 374-377; D8/363, 373, D8/349, 394; 248/465, 917-924, 123.11; 348/825, 827, 836, 837, 838, 180, 184, 325, 348/739; 600/443; D6/477-479, 407, 474, D6/460, 461, 468; 312/7.2; 341/12; 345/87, 345/104, 133, 156, 168, 169, 173; 720/605, 720/669, 600, 655; 369/99, 197; 455/344-347; 349/1, 2, 11, 62; 108/59, 91, 92, 96; 211/40, 211/41.12, 42, 49.1, 50, 85.2, 90.04, 187, 211/190, 119.003, 134.153, 87.01, 71.01
See application file for complete search history.

(56) **References Cited**

U.S. PATENT DOCUMENTS

D286,495 S * 11/1986 Blomdahl D8/373
D342,015 S * 12/1993 Andrejew D8/373
D493,800 S * 8/2004 Pfister et al. D14/451

D494,596 S * 8/2004 Pfister D14/451
7,086,543 B2 * 8/2006 Remmers 211/94.01
D530,595 S * 10/2006 Lam et al. D8/373
7,401,705 B2 * 7/2008 Craft 211/90.01
D594,001 S * 6/2009 Sexton D14/239
D595,702 S * 7/2009 Bremmon et al. D14/239
D598,458 S * 8/2009 Li D14/451
D605,185 S * 12/2009 Russell et al. D14/239
D621,820 S * 8/2010 Liang D14/239
2005/0109901 A1 * 5/2005 Stitchick et al. 248/235
2008/0054147 A1 * 3/2008 Muday et al. 248/316.8
2008/0258029 A1 * 10/2008 Zhang 248/284.1
2009/0139943 A1 * 6/2009 Fernandez 211/94.01

* cited by examiner

Primary Examiner — Raphael Barkai

Assistant Examiner — Randall Gholson

(74) *Attorney, Agent, or Firm* — Kilpatrick Townsend & Stockton LLP

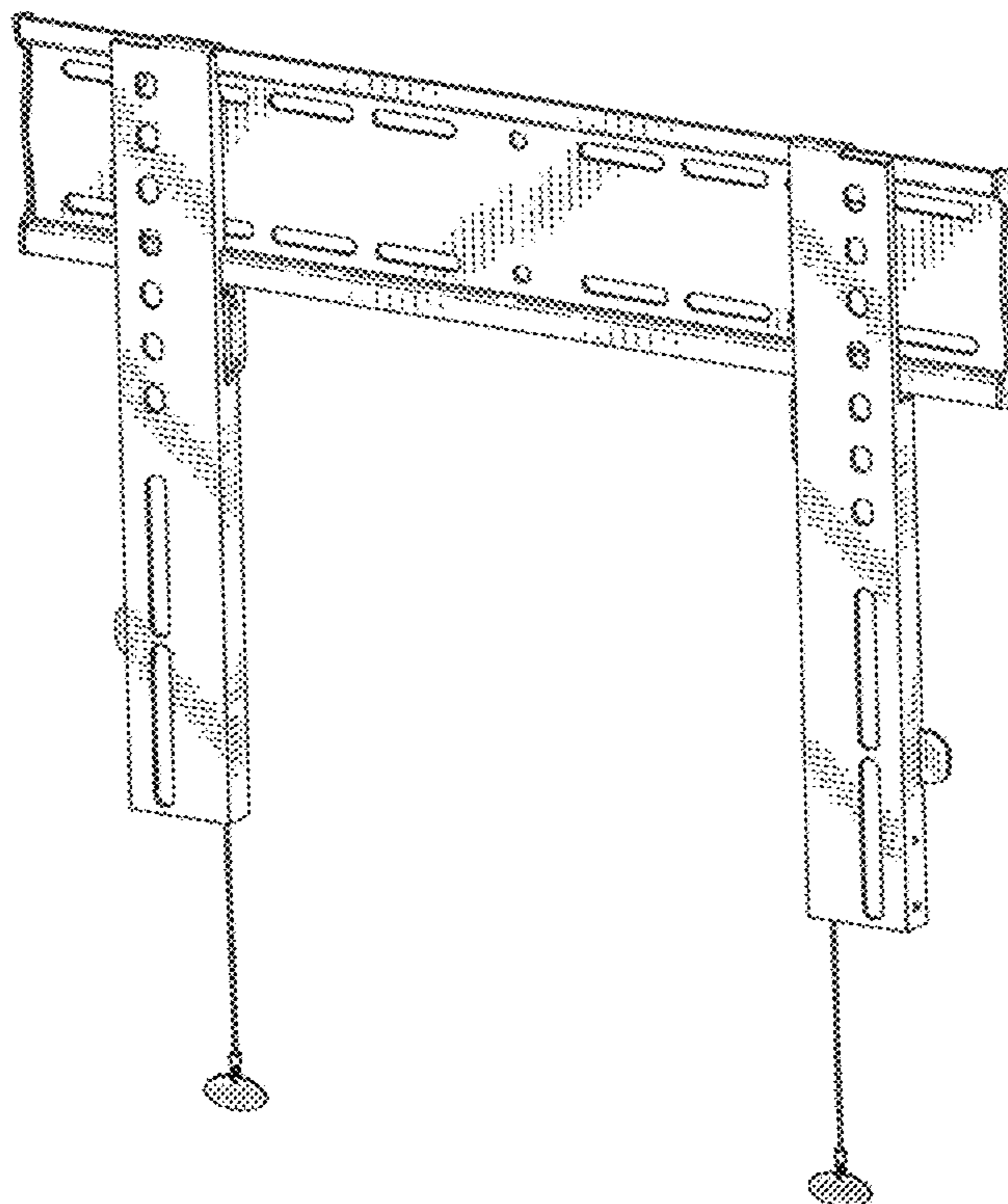
(57) **CLAIM**

The ornamental design for a TV mount, as shown and described.

DESCRIPTION

FIG. 1 is a perspective view of a TV mount showing my new design;
FIG. 2 is a front elevational view thereof;
FIG. 3 is a rear elevational view thereof;
FIG. 4 is a top plan view thereof;
FIG. 5 is a bottom plan view thereof;
FIG. 6 is a left side elevational view thereof; and,
FIG. 7 is a right side elevational view thereof.

1 Claim, 5 Drawing Sheets



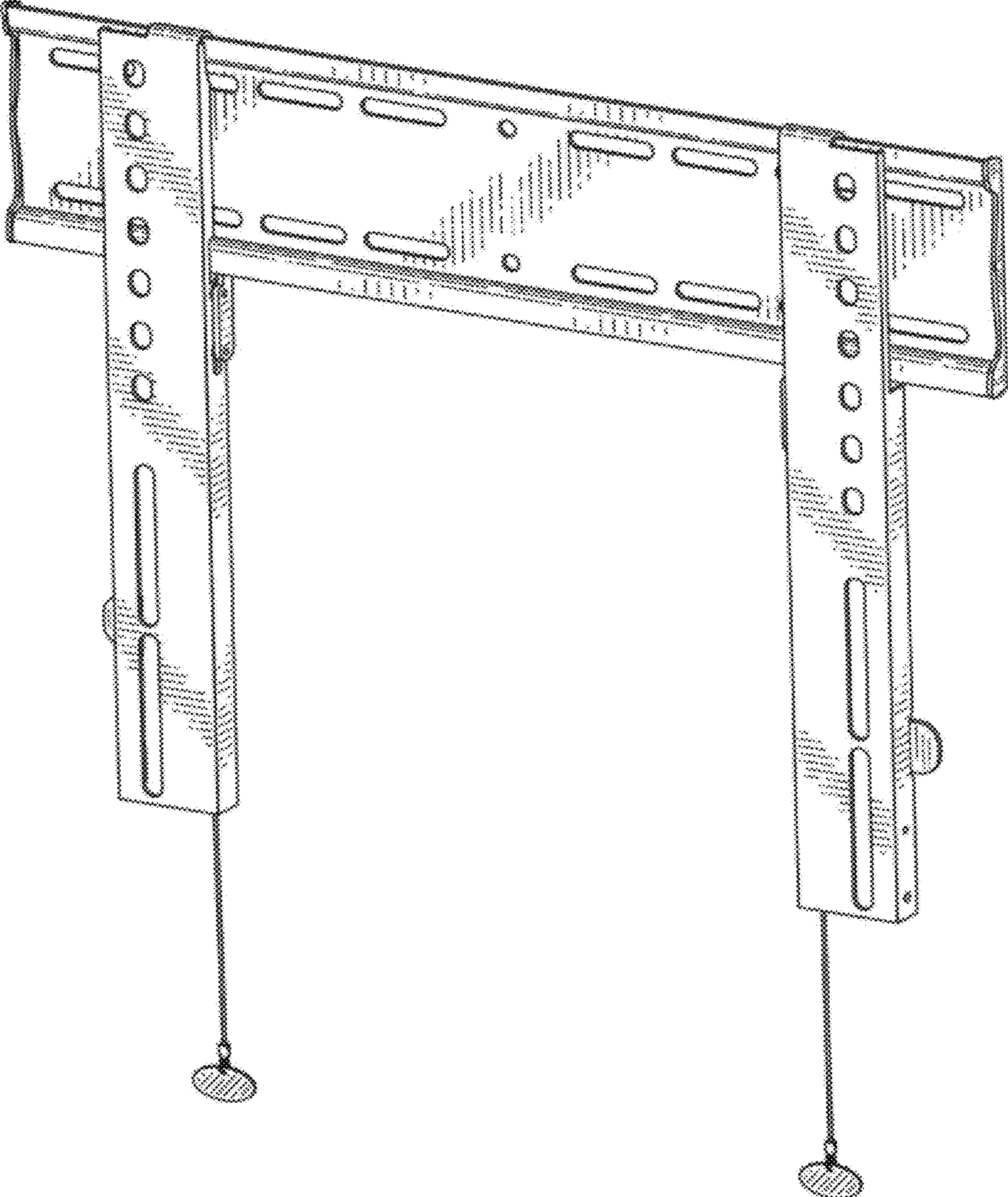


FIG. 1

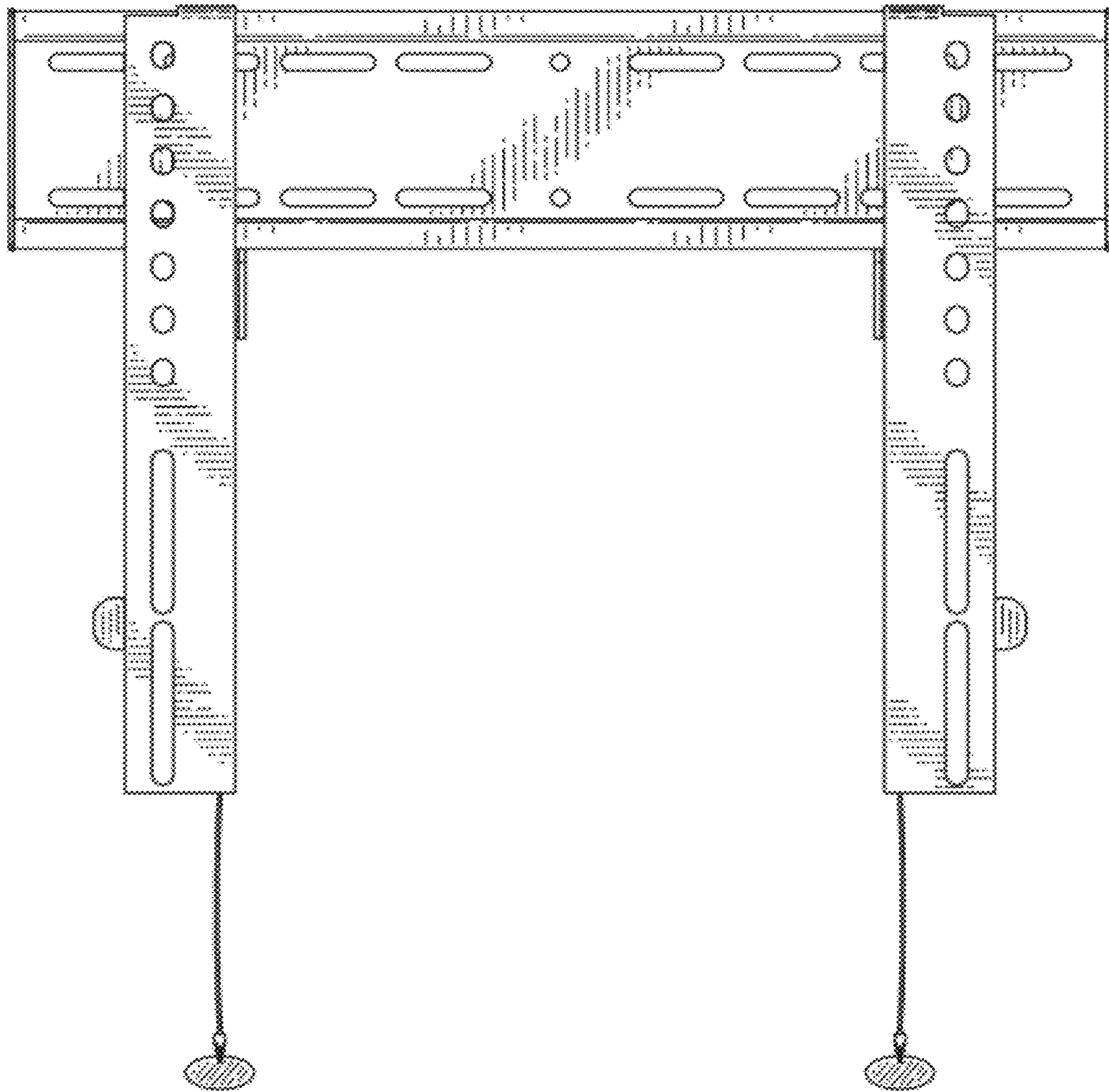


FIG. 2

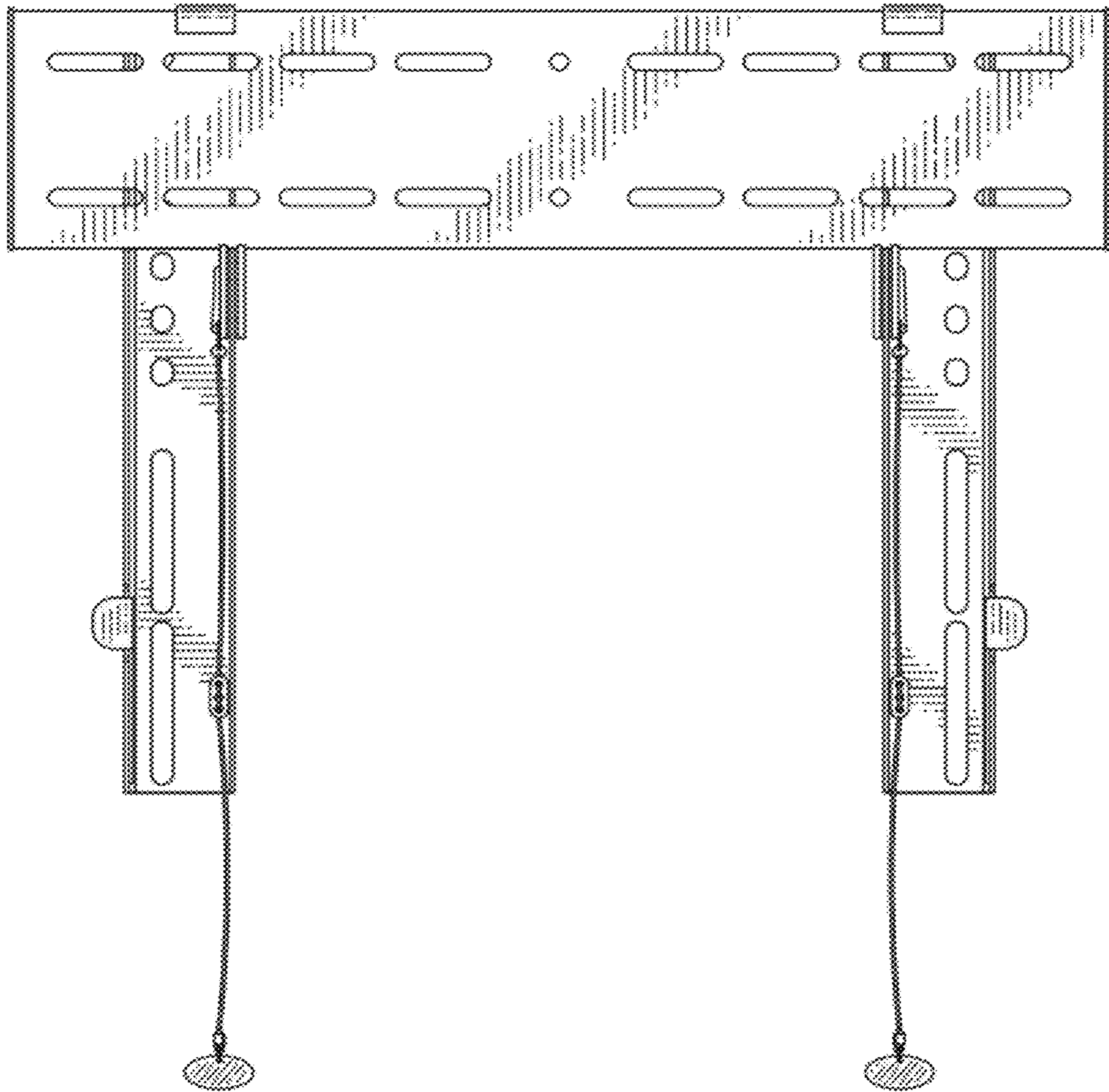


FIG. 3

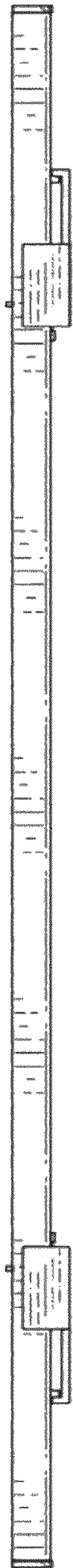


FIG. 4

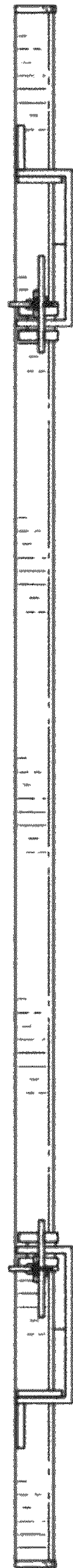


FIG. 5



FIG. 6

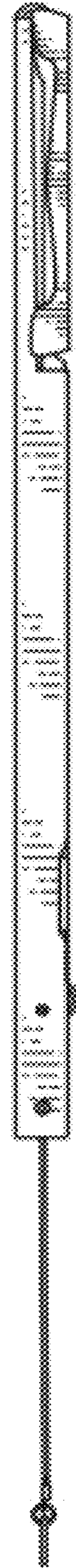


FIG. 7