



US00D671919S

(12) **United States Design Patent**
Kim et al.

(10) **Patent No.:** **US D671,919 S**
(45) **Date of Patent:** **** Dec. 4, 2012**

(54) **REMOTE CONTROL FOR TELEVISION RECEIVERS**

(75) Inventors: **Tae Uk Kim**, Seoul (KR); **Yong Seock Kim**, Suwon-si (KR); **Byung Lok Jeon**, Anyang-si (KR)

(73) Assignee: **LG Electronics Inc.**, Seoul (KR)

(**) Term: **14 Years**

(21) Appl. No.: **29/417,282**

(22) Filed: **Apr. 2, 2012**

(30) **Foreign Application Priority Data**

Feb. 15, 2012 (KR) 30-2012-0006812

(51) **LOC (9) Cl.** **14-03**

(52) **U.S. Cl.** **D14/218**

(58) **Field of Classification Search** D14/218,
D14/455; D13/168; D21/566; D10/104,
D10/106; 345/169; 348/14.05, 114, 211.99,
348/734; 340/825.24; 341/22; 455/92, 95,
455/128, 151.1–151.4, 352, 355, FOR. 121;
700/65

See application file for complete search history.

(56) **References Cited**

U.S. PATENT DOCUMENTS

D333,636 S * 3/1993 Issa D10/106.1
D392,944 S * 3/1998 Issa D13/168

D479,708 S * 9/2003 Hwang et al. D13/168
D489,053 S * 4/2004 Nakamura D14/480.5
D495,674 S * 9/2004 Yoo et al. D14/138 AB
D504,676 S * 5/2005 Borsboom D14/218
D580,432 S * 11/2008 Yun et al. D14/345
D605,635 S * 12/2009 Edahiro et al. D14/218
D614,230 S * 4/2010 Hidaka D18/12
D624,552 S * 9/2010 Lee et al. D14/480.5
D633,488 S * 3/2011 Kim et al. D14/315
D643,842 S * 8/2011 Marshall et al. D14/434
D654,476 S * 2/2012 Weitgasser D14/218
D657,785 S * 4/2012 Lee et al. D14/315

* cited by examiner

Primary Examiner — John Windmuller

(74) *Attorney, Agent, or Firm* — Morgan, Lewis & Bockius LLP

(57) **CLAIM**

We claim the ornamental design for a remote control for television receivers, as shown and described.

DESCRIPTION

FIG. 1 is a perspective view of a remote control for television receivers showing our new design;
FIG. 2 is a front elevation view thereof;
FIG. 3 is a rear elevation view thereof;
FIG. 4 is a left-side elevation view thereof;
FIG. 5 is a right-side elevation view thereof;
FIG. 6 is a top plan view thereof; and,
FIG. 7 is a bottom plan view thereof.

1 Claim, 4 Drawing Sheets

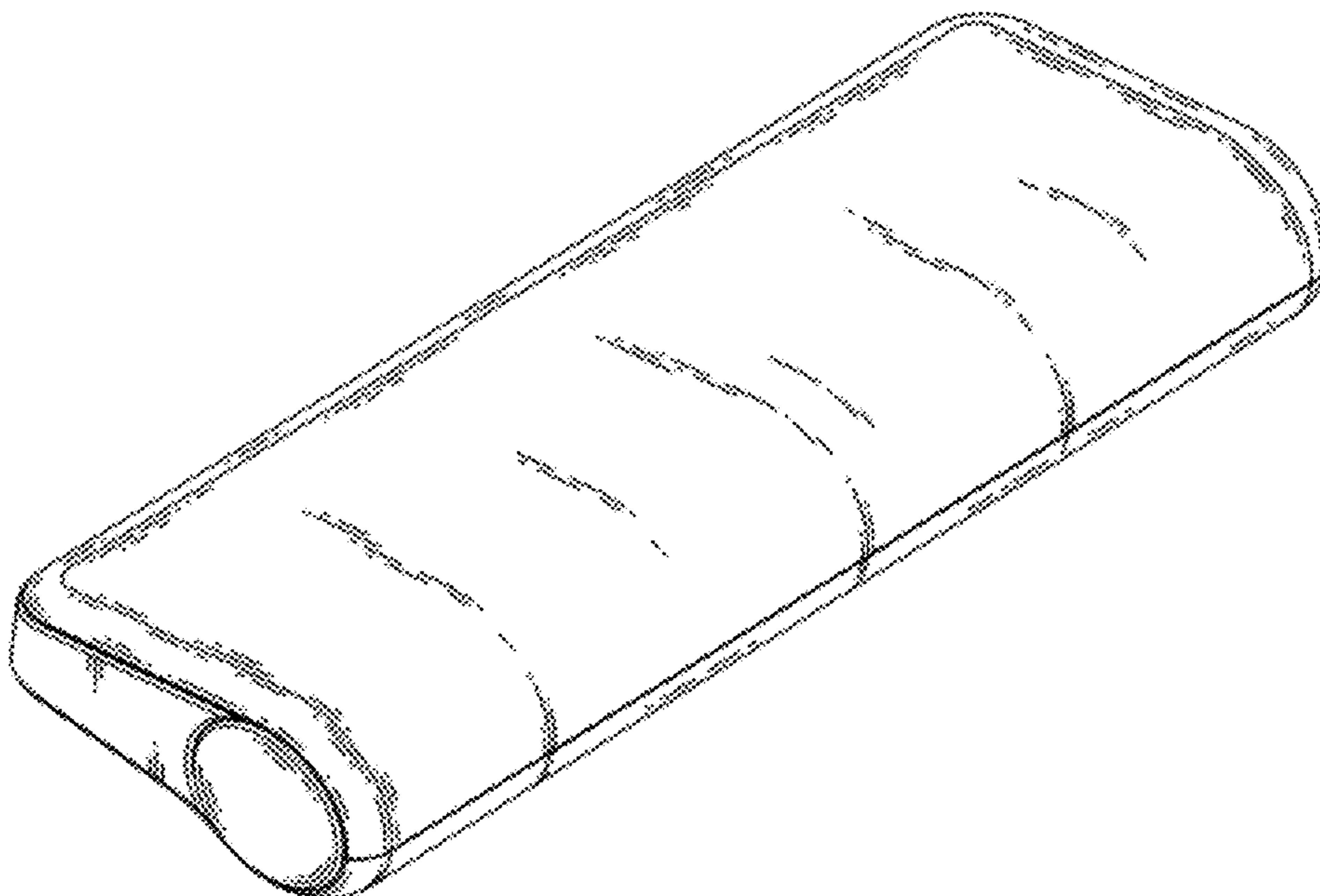


FIG. 1

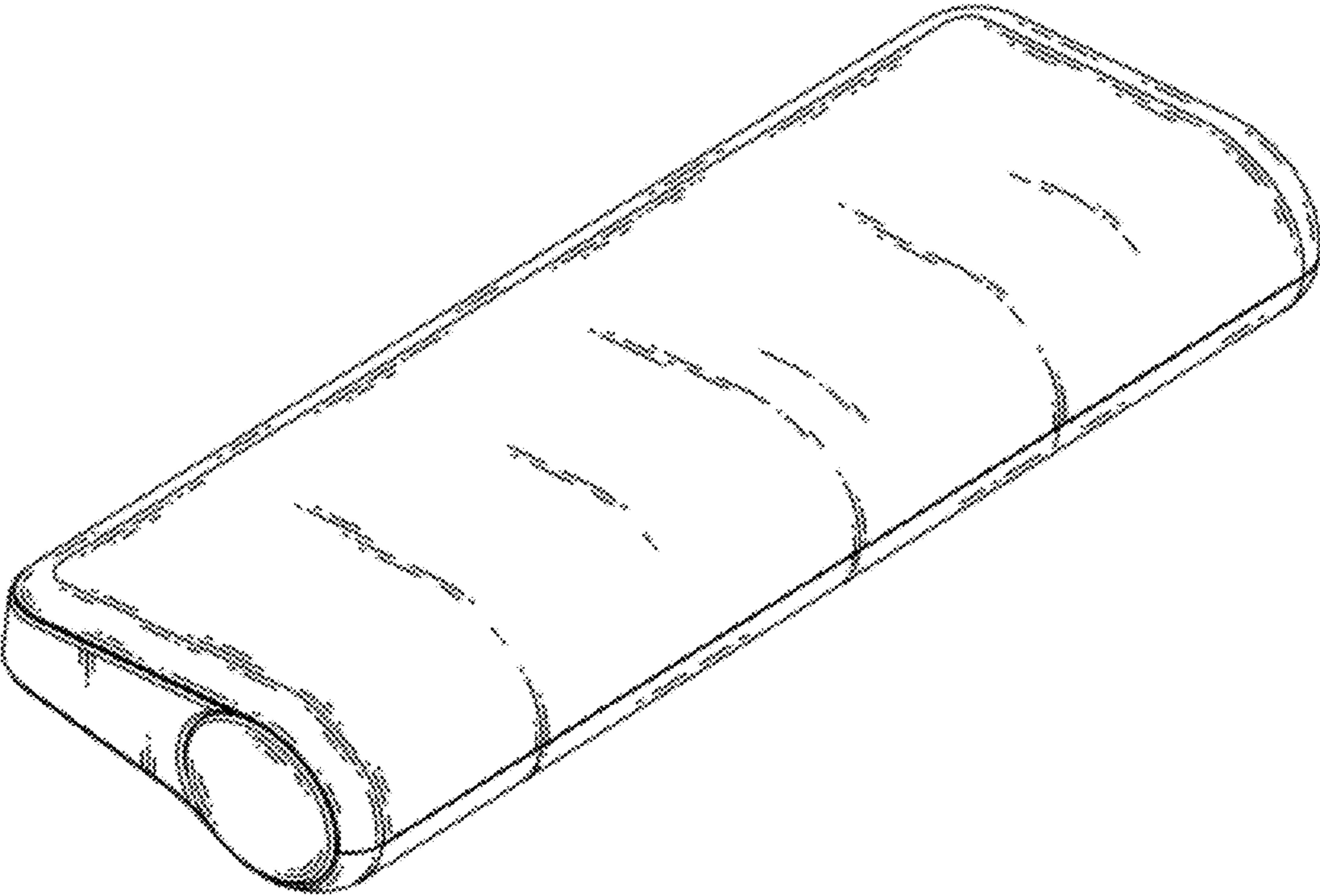


FIG. 2

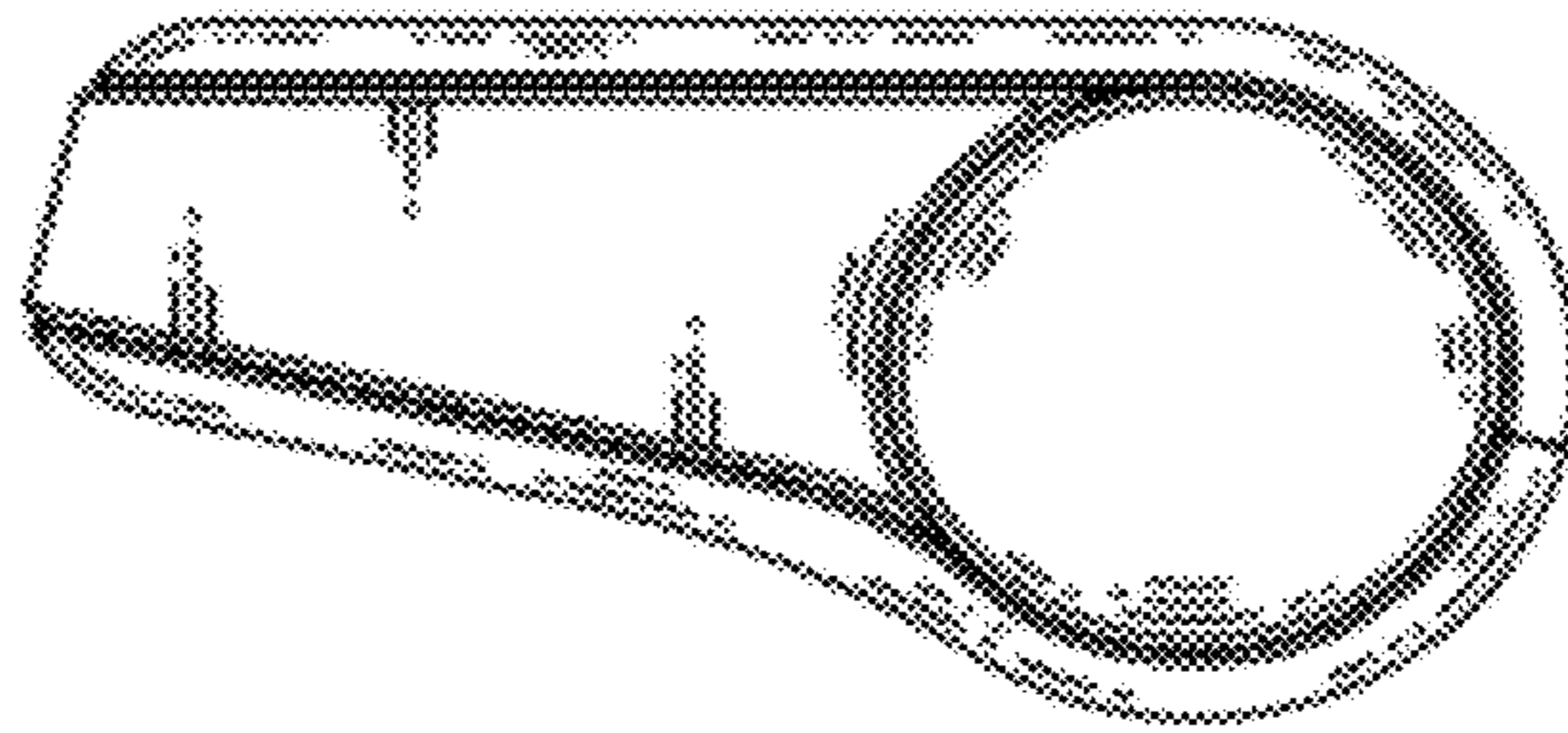


FIG. 3

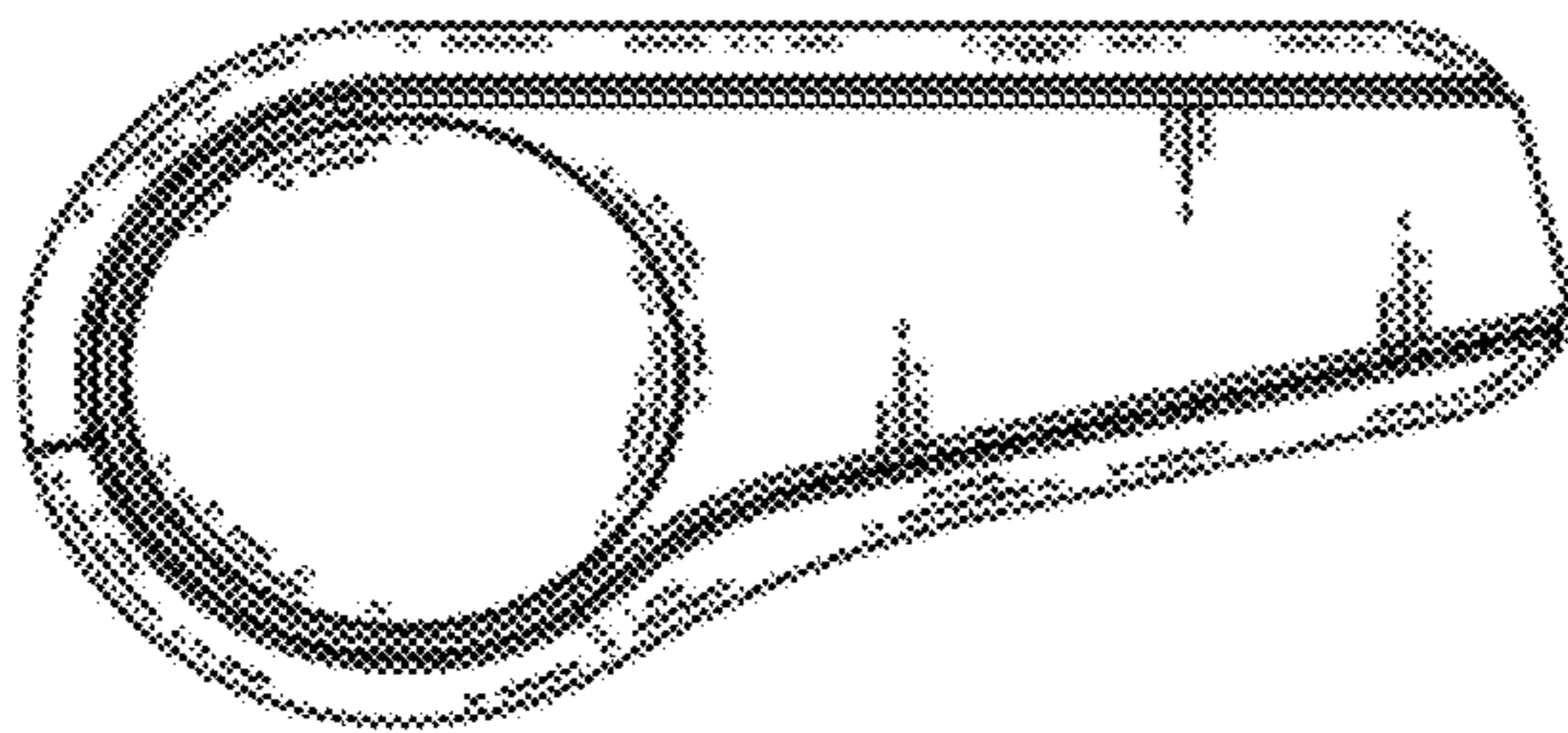


FIG. 4

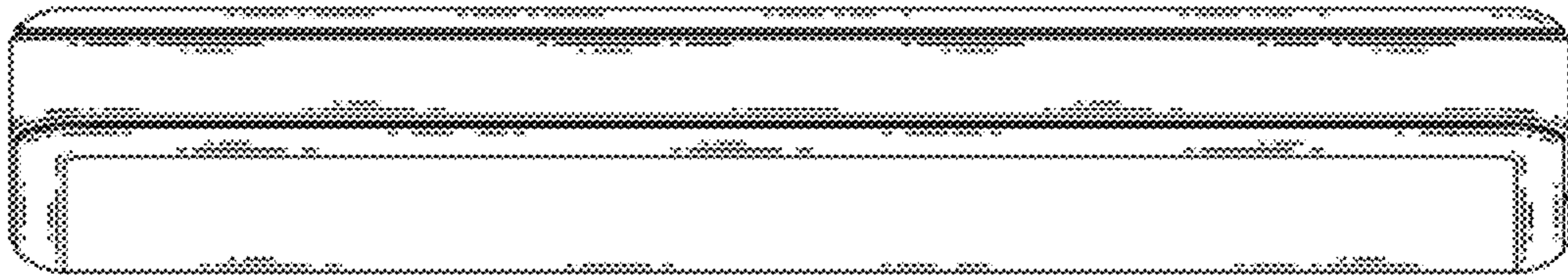


FIG. 5

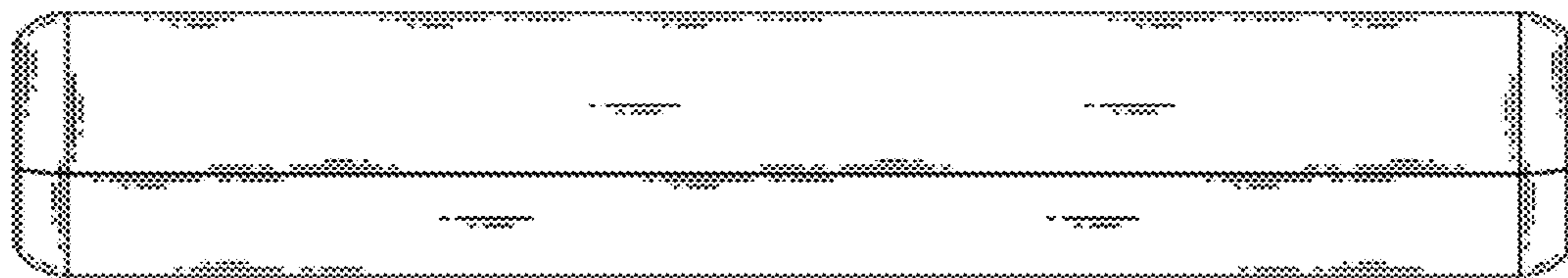


FIG. 6



FIG. 7

