



US00D671914S

(12) **United States Design Patent**
Lee et al.

(10) **Patent No.:** **US D671,914 S**
(45) **Date of Patent:** **** *Dec. 4, 2012**

(54) **PAIR OF HEADPHONES**

(75) Inventors: **Noel Lee**, Las Vegas, NV (US);
Kendrew Lee, Tsing Yi (HK)

(73) Assignee: **Monster Cable Products, Inc.**,
Brisbane, CA (US)

(*) Notice: This patent is subject to a terminal disclaimer.

(**) Term: **14 Years**

(21) Appl. No.: **29/400,640**

(22) Filed: **Aug. 31, 2011**

(51) **LOC (9) Cl.** **14-01**

(52) **U.S. Cl.** **D14/205**

(58) **Field of Classification Search** D14/205,
D14/206, 223; 181/129, 130, 135; 379/430,
379/431; 381/380, 381, 322, 338, 360; D29/112;
2/209; 455/90.3, 575.1

See application file for complete search history.

(56) **References Cited**

U.S. PATENT DOCUMENTS

D484,485 S *	12/2003	Matsuoka	D14/205
D512,417 S *	12/2005	Hirakawa et al.	D14/223
7,072,483 B2 *	7/2006	Lenhard-Backhaus	381/383
D534,155 S *	12/2006	Obata	D14/205
D552,077 S *	10/2007	Brunner et al.	D14/205
D573,581 S *	7/2008	Gondo et al.	D14/205
D594,441 S	6/2009	Lee et al.		
D598,901 S	8/2009	Lee et al.		
D599,781 S	9/2009	Lee et al.		

D600,675 S	9/2009	Lee et al.		
D625,705 S *	10/2010	Ohuri et al.	D14/205
D632,668 S *	2/2011	Brunner et al.	D14/205
D637,176 S *	5/2011	Brunner et al.	D14/205
D637,182 S	5/2011	Lee et al.		
D641,008 S	7/2011	Lee et al.		
D642,163 S	7/2011	Lee et al.		
D643,417 S	8/2011	Lee et al.		
D643,418 S	8/2011	Lee et al.		
D643,833 S	8/2011	Lee et al.		
D652,406 S *	1/2012	Lee et al.	D14/205
D657,344 S *	4/2012	Brunner et al.	D14/205
D657,776 S *	4/2012	Lee et al.	D14/205

* cited by examiner

Primary Examiner — Paula Greene

(74) *Attorney, Agent, or Firm* — LaRiviere, Grubman & Payne, LLP

(57) **CLAIM**

The ornamental design for a pair of headphones, as shown and described.

DESCRIPTION

FIG. 1 is a perspective view of a pair of headphones, showing our design;

FIG. 2 is front view thereof;

FIG. 3 is a rear view thereof;

FIG. 4 is a side view thereof;

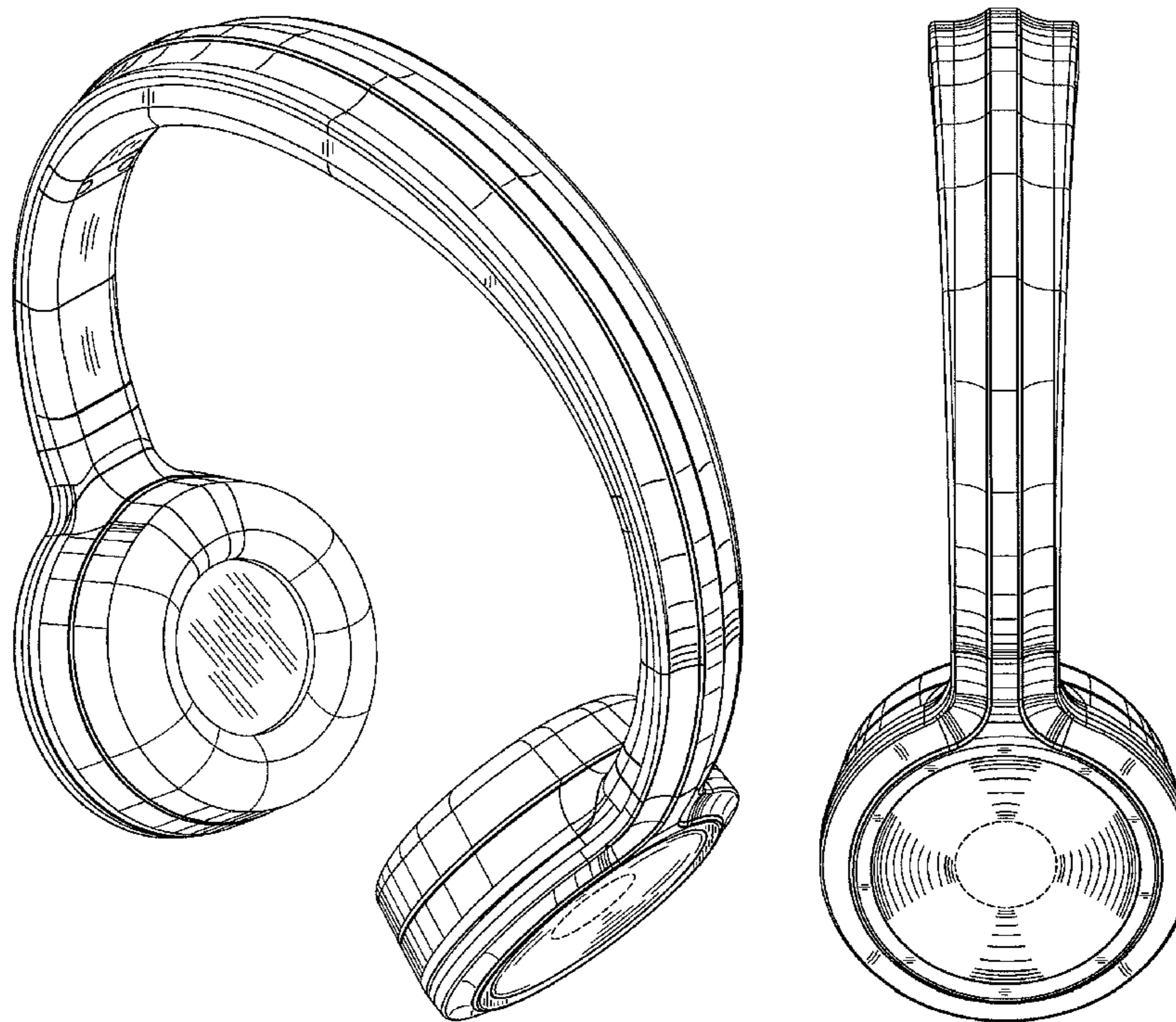
FIG. 5 is an opposing side view thereof;

FIG. 6 is a top view thereof; and,

FIG. 7 is a bottom view thereof.

The broken lines showing the environment are for illustrative purposes only and form no part of the claimed design.

1 Claim, 5 Drawing Sheets



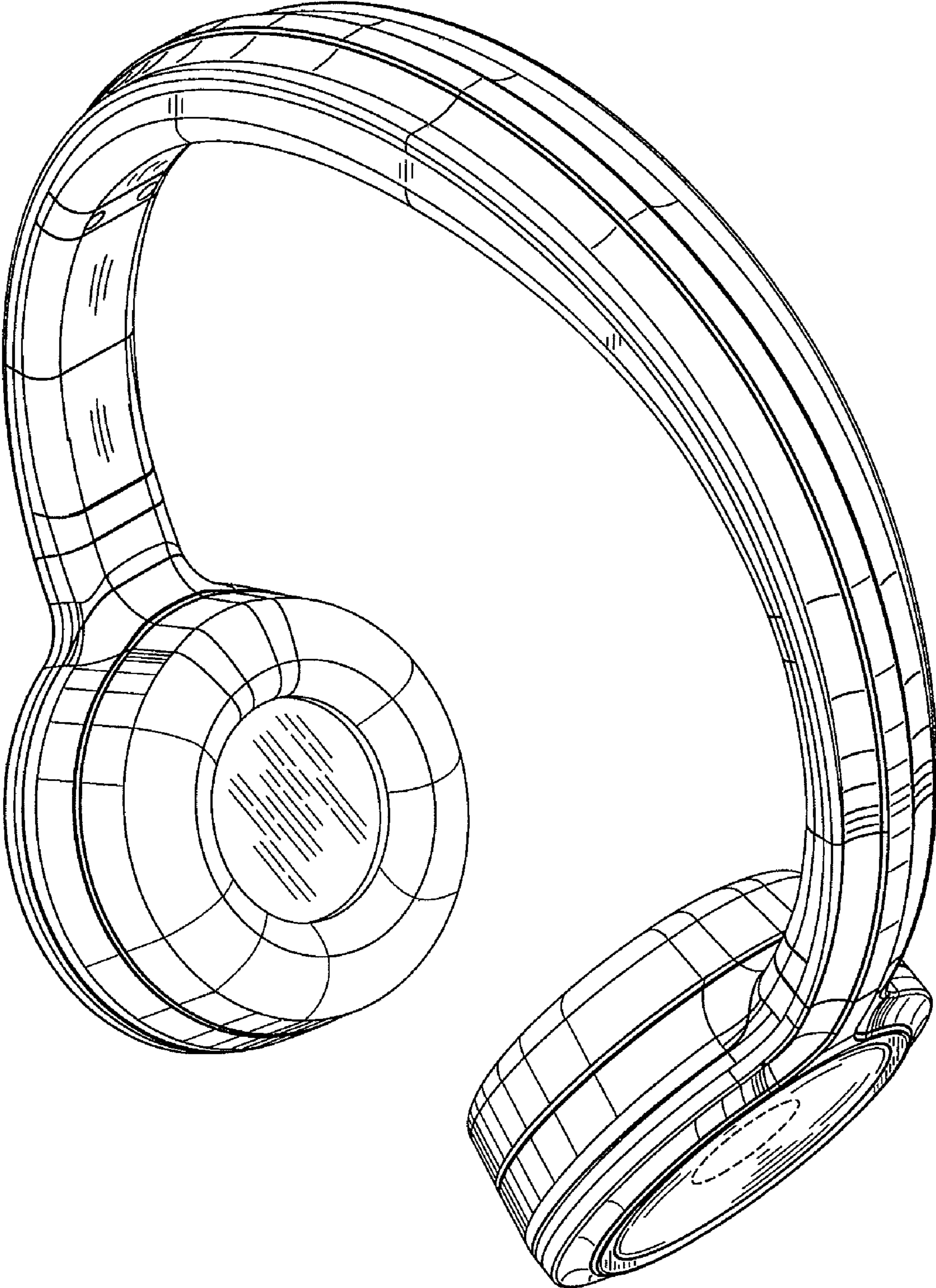


Figure 1

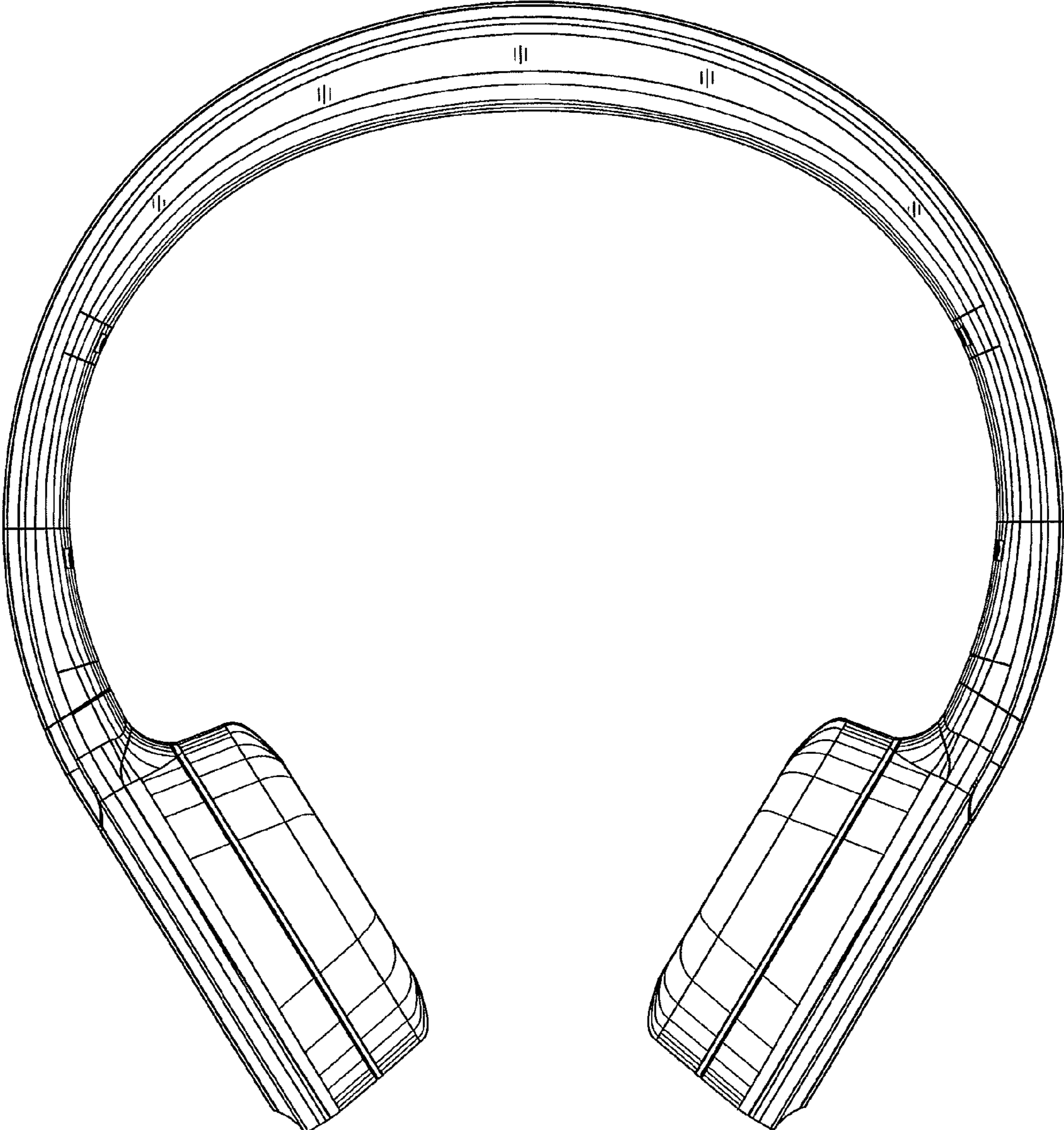


Figure 2

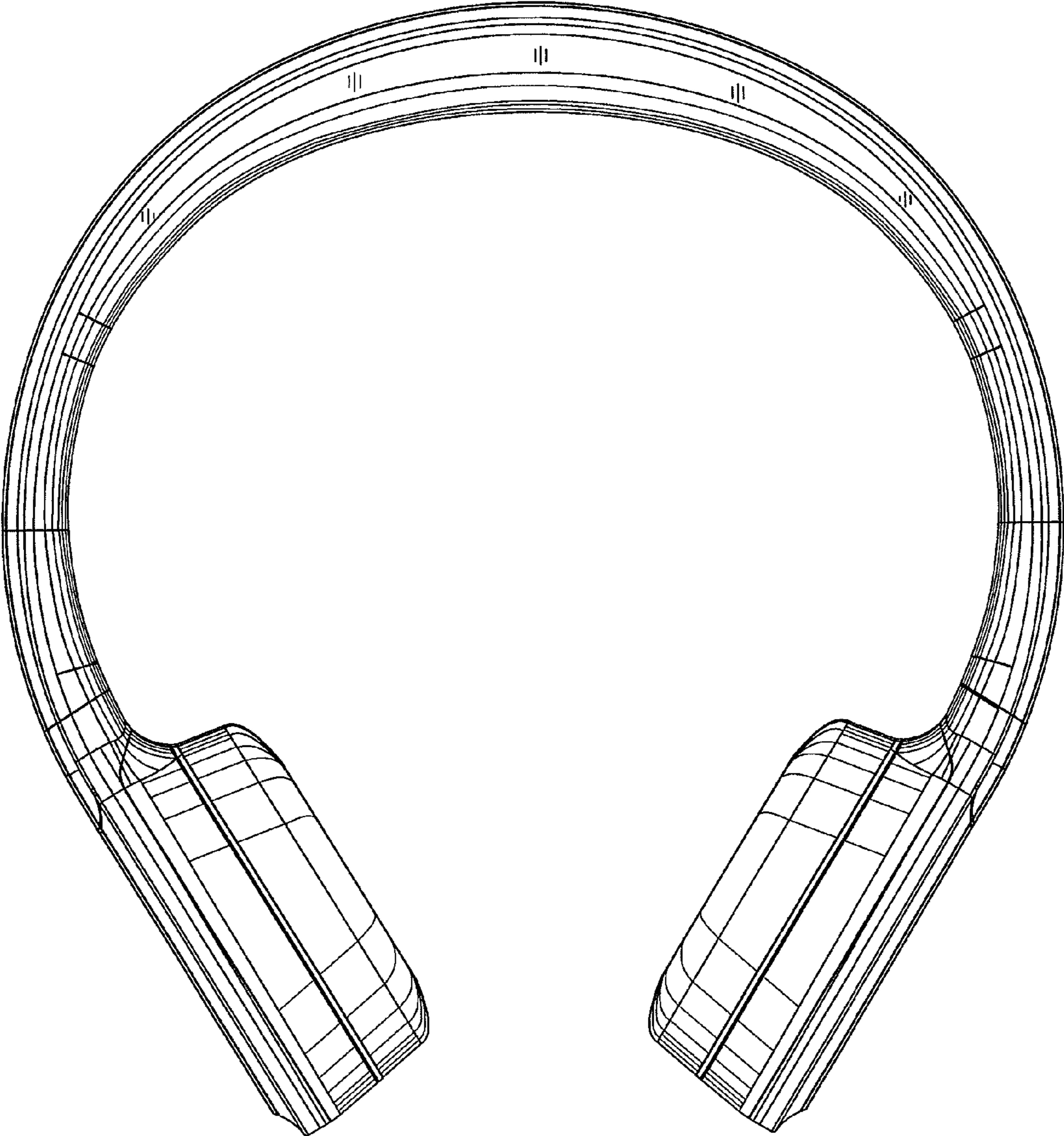


Figure 3

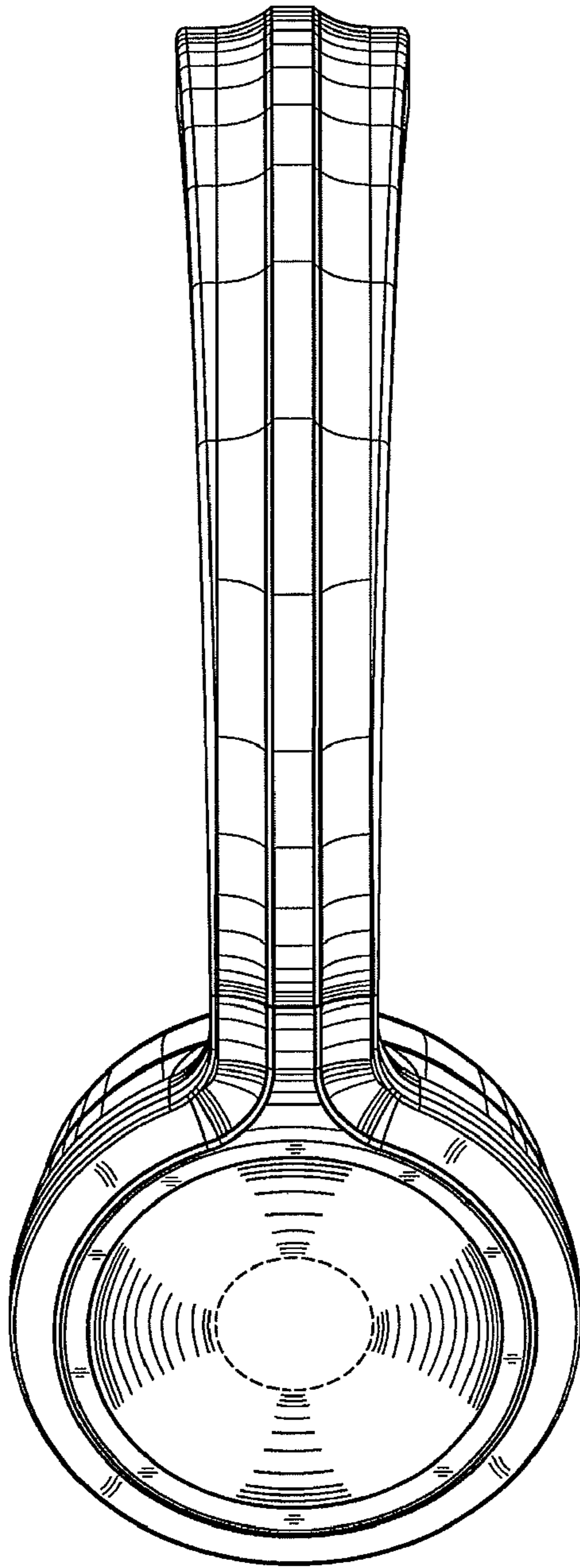


Figure 4

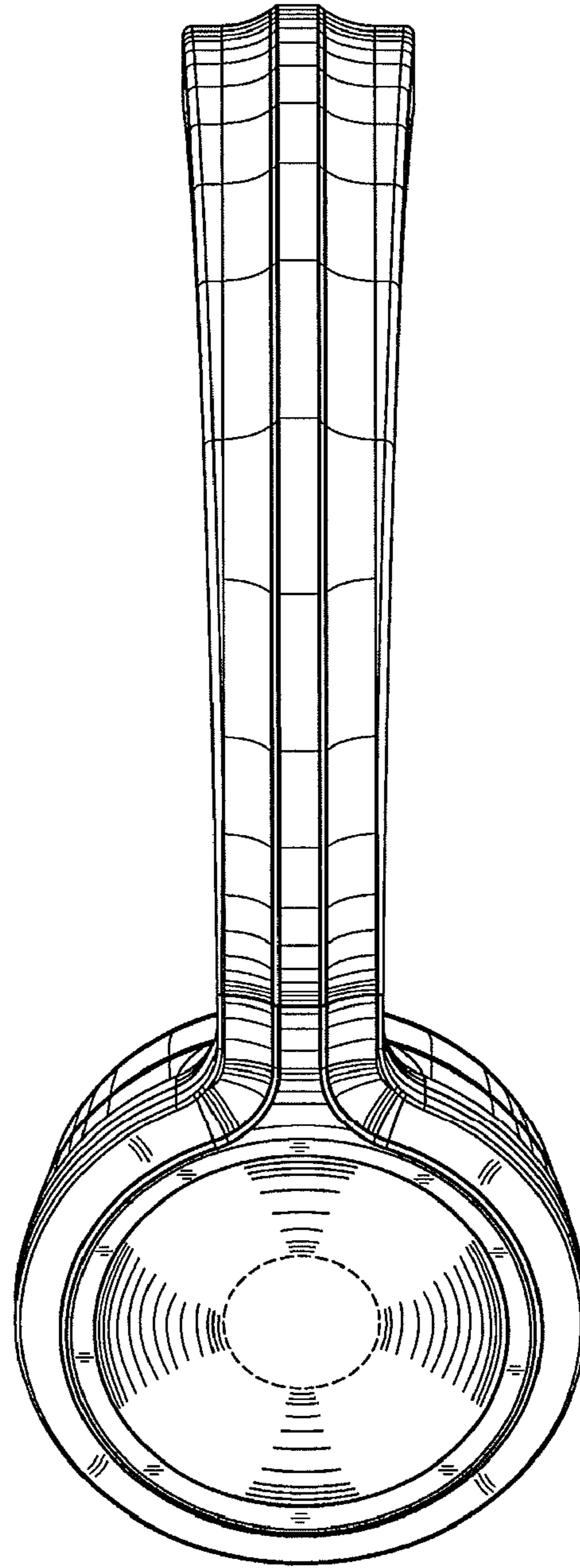


Figure 5

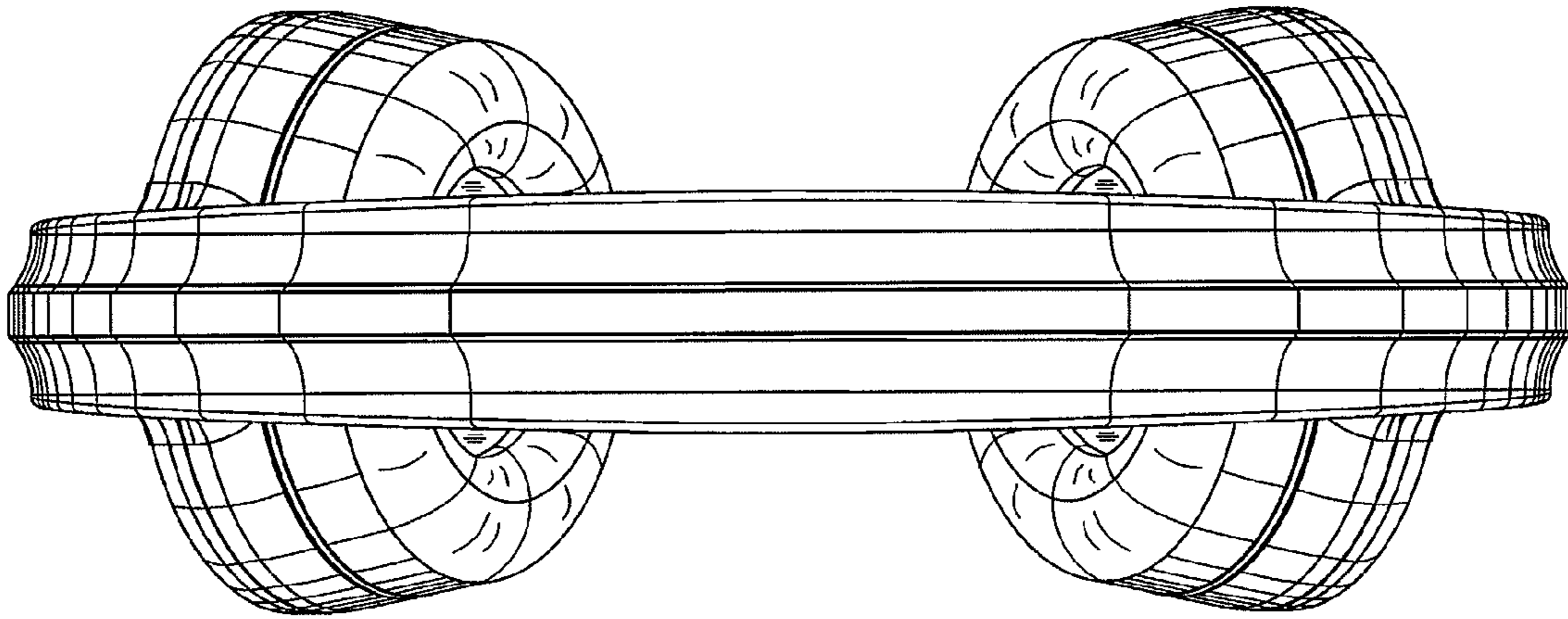


Figure 6

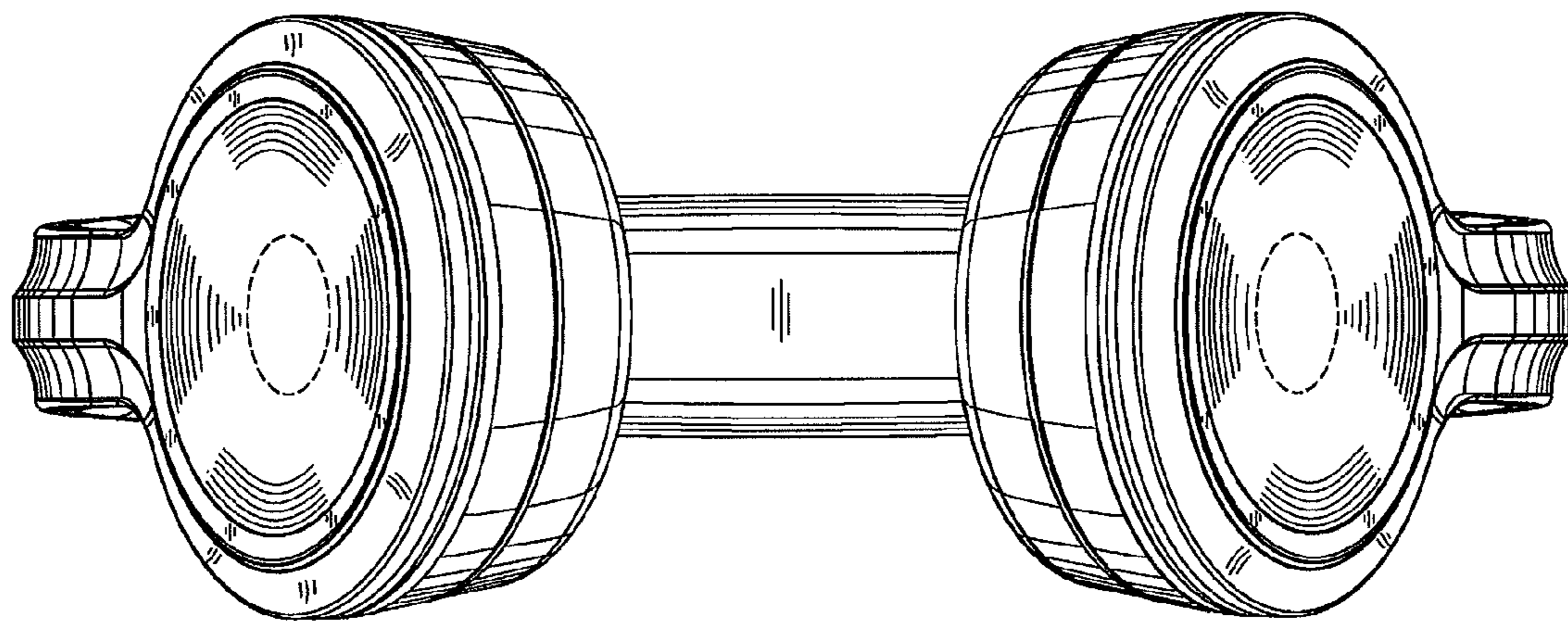


Figure 7