



US00D671913S

(12) **United States Design Patent**  
**Warden et al.**

(10) **Patent No.:** **US D671,913 S**  
(45) **Date of Patent:** **\*\* Dec. 4, 2012**

- (54) **LOUDSPEAKER**
- (75) Inventors: **Robert A. Warden**, Southborough, MA (US); **Randy J. Kulchy**, Shrewsbury, MA (US); **Peter C. Santoro**, Shirley, MA (US); **Willy Chung**, Waltham, MA (US)
- (73) Assignee: **Bose Corporation**, Framingham, MA (US)
- (\*\*) Term: **14 Years**
- (21) Appl. No.: **29/411,221**
- (22) Filed: **Jan. 18, 2012**

5,749,137 A	5/1998	Martin	
5,781,645 A	7/1998	Beale	
D410,006 S	5/1999	Miyazaki	
D418,139 S	12/1999	Matsuoka	
D434,750 S	12/2000	Childers et al.	
D462,065 S *	8/2002	Silverstein et al.	D14/214
D484,484 S *	12/2003	Green	D14/204
D500,025 S	12/2004	Vincenot et al.	
D500,306 S	12/2004	Noselli	
6,978,030 B2 *	12/2005	Reich	381/124
7,206,427 B2	4/2007	Simidian, II et al.	
7,324,684 B2 *	1/2008	Enokido et al.	382/145
7,328,769 B1 *	2/2008	Adamson	181/199
D569,844 S *	5/2008	Thompson et al.	D14/214
7,415,124 B2	8/2008	Colich	
7,516,932 B2	4/2009	Engbretson et al.	
D637,580 S *	5/2011	Aranda et al.	D14/214
D641,339 S *	7/2011	Miller	D14/214
D660,285 S *	5/2012	Lee et al.	D14/214

\* cited by examiner

**Related U.S. Application Data**

- (62) Division of application No. 29/376,288, filed on Oct. 5, 2010, now Pat. No. Des. 654,906.
- (51) **LOC (9) Cl.** ..... **14-01**
- (52) **U.S. Cl.** ..... **D14/204**
- (58) **Field of Classification Search** ..... D14/204, D14/210, 218, 172; 181/143, 147, 148, 150, 181/153, 157, 198, 199, 166, 144; 381/300-303, 381/306, 332, 333, 336, 345, 361-364, 370, 381/386-388  
See application file for complete search history.

*Primary Examiner* — Prabhakar Deshmukh

(57) **CLAIM**

The ornamental design for a loudspeaker, substantially as shown and described.

**DESCRIPTION**

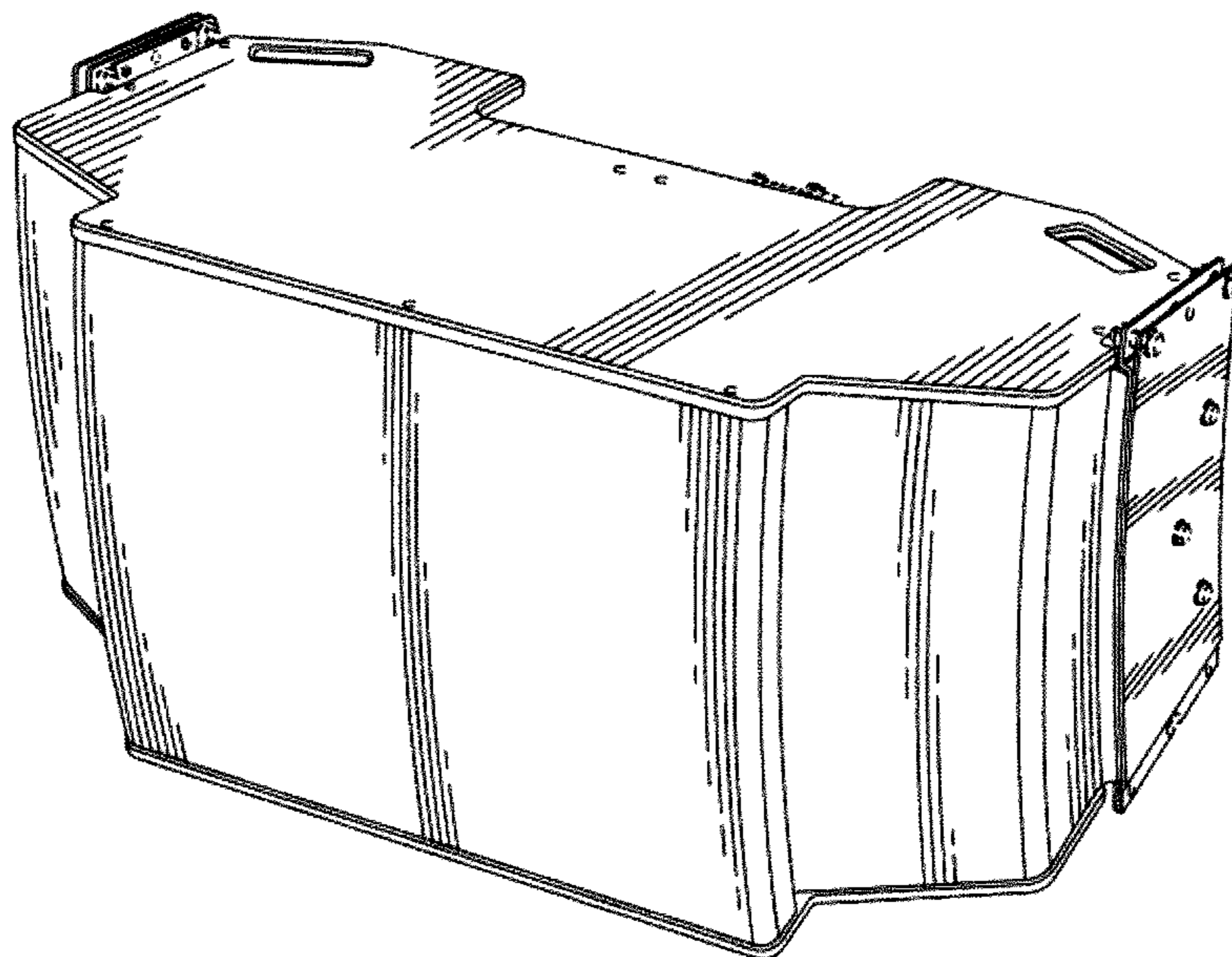
FIG. 1 is a perspective view of our new design as seen from the front, top and right side of the loudspeaker;  
 FIG. 2 is a front view thereof;  
 FIG. 3 is a back view thereof;  
 FIG. 4 is a top view thereof;  
 FIG. 5 is a bottom view thereof;  
 FIG. 6 is a left side view thereof; and,  
 FIG. 7 is a right side view thereof.  
 The broken lines shown in the figures are for environmental purposes only and form no part of the claimed design.

(56) **References Cited**

**U.S. PATENT DOCUMENTS**

4,165,797 A *	8/1979	Spetalnik	181/147
D295,857 S *	5/1988	Nagashima	D14/210
4,805,730 A *	2/1989	O'Neill et al.	181/148
4,843,624 A *	6/1989	Rashak	381/91
5,646,378 A	7/1997	Van Haaff et al.	

**1 Claim, 6 Drawing Sheets**



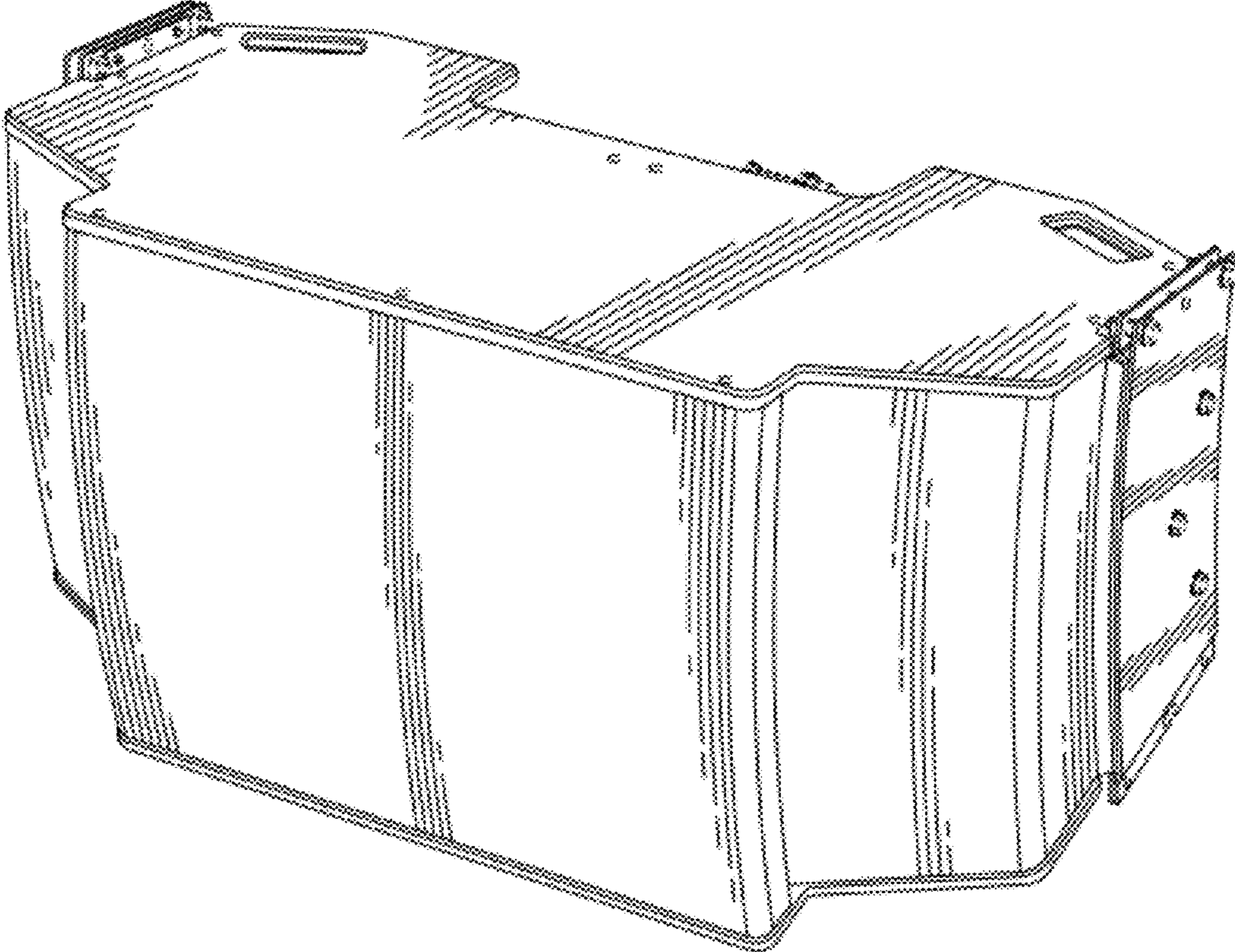


FIG. 1

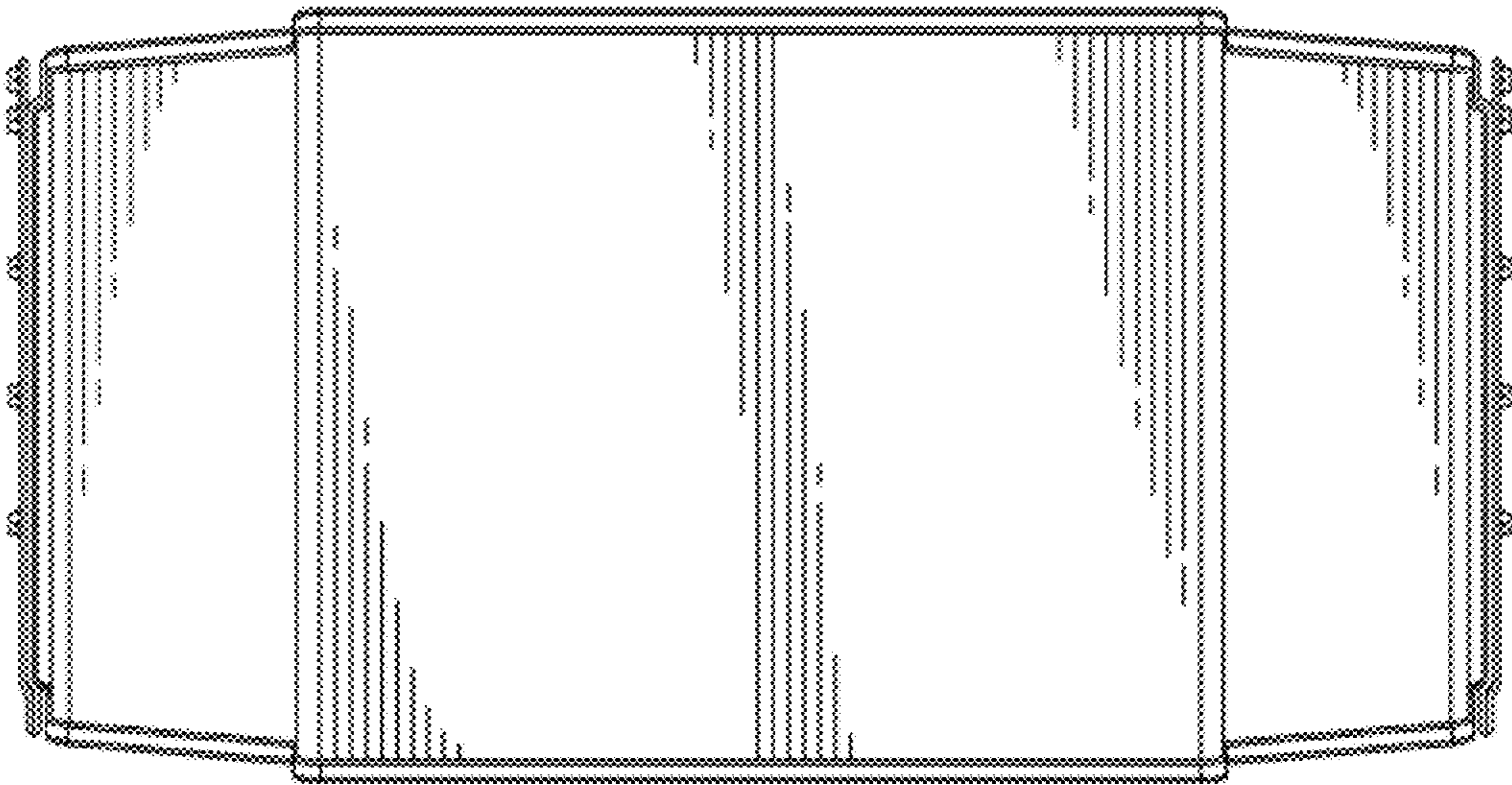


FIG. 2

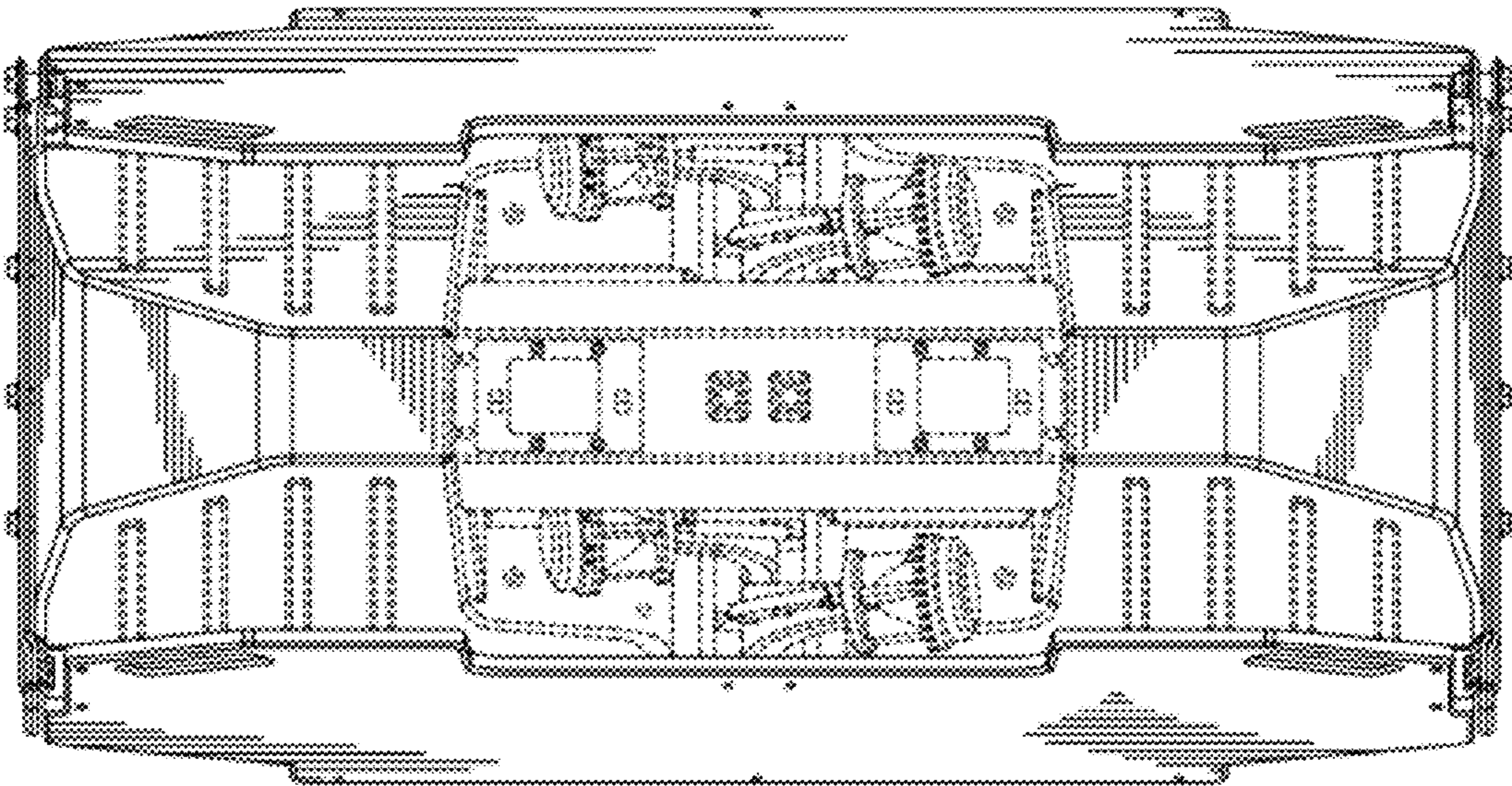


FIG. 3

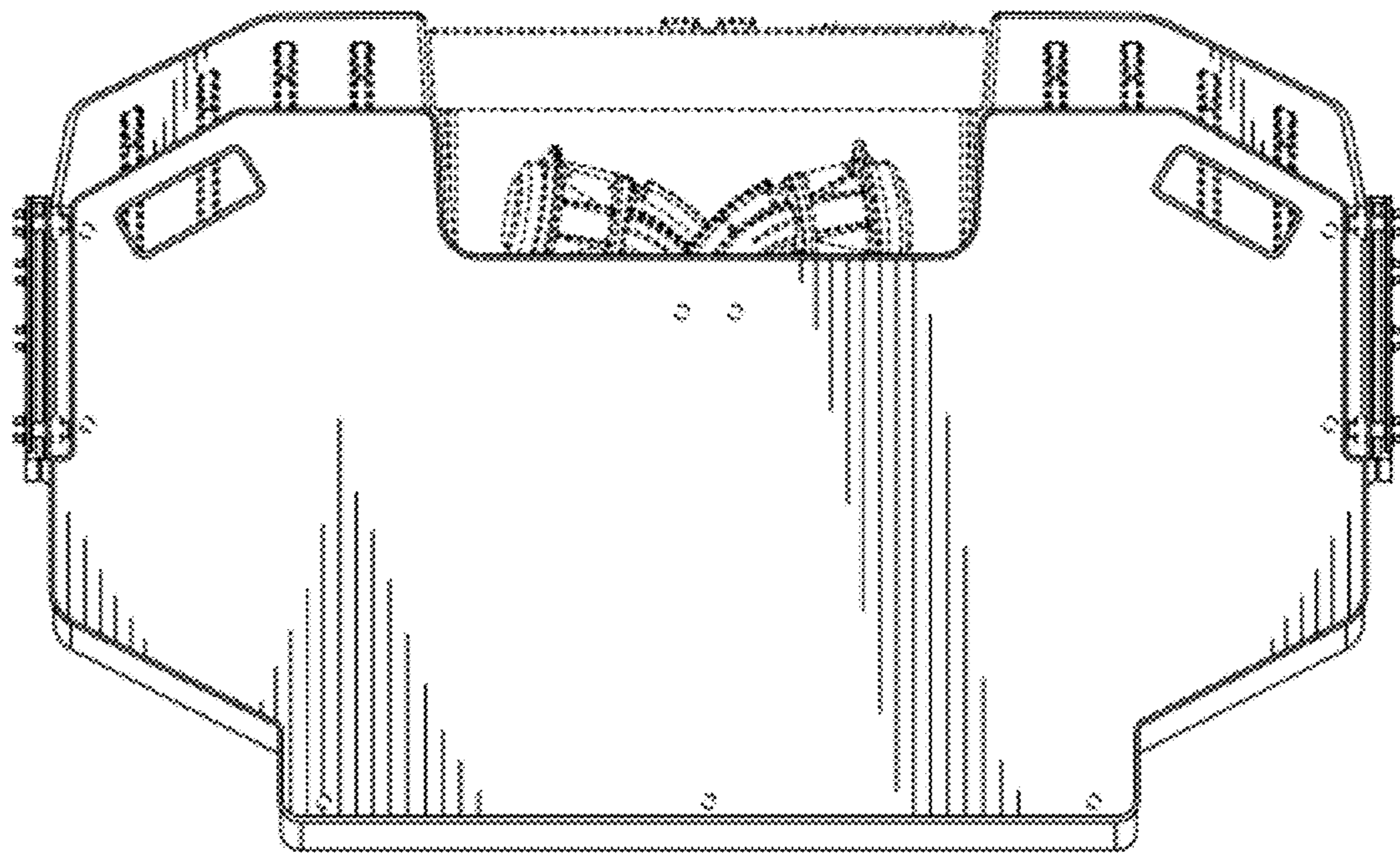


FIG. 4

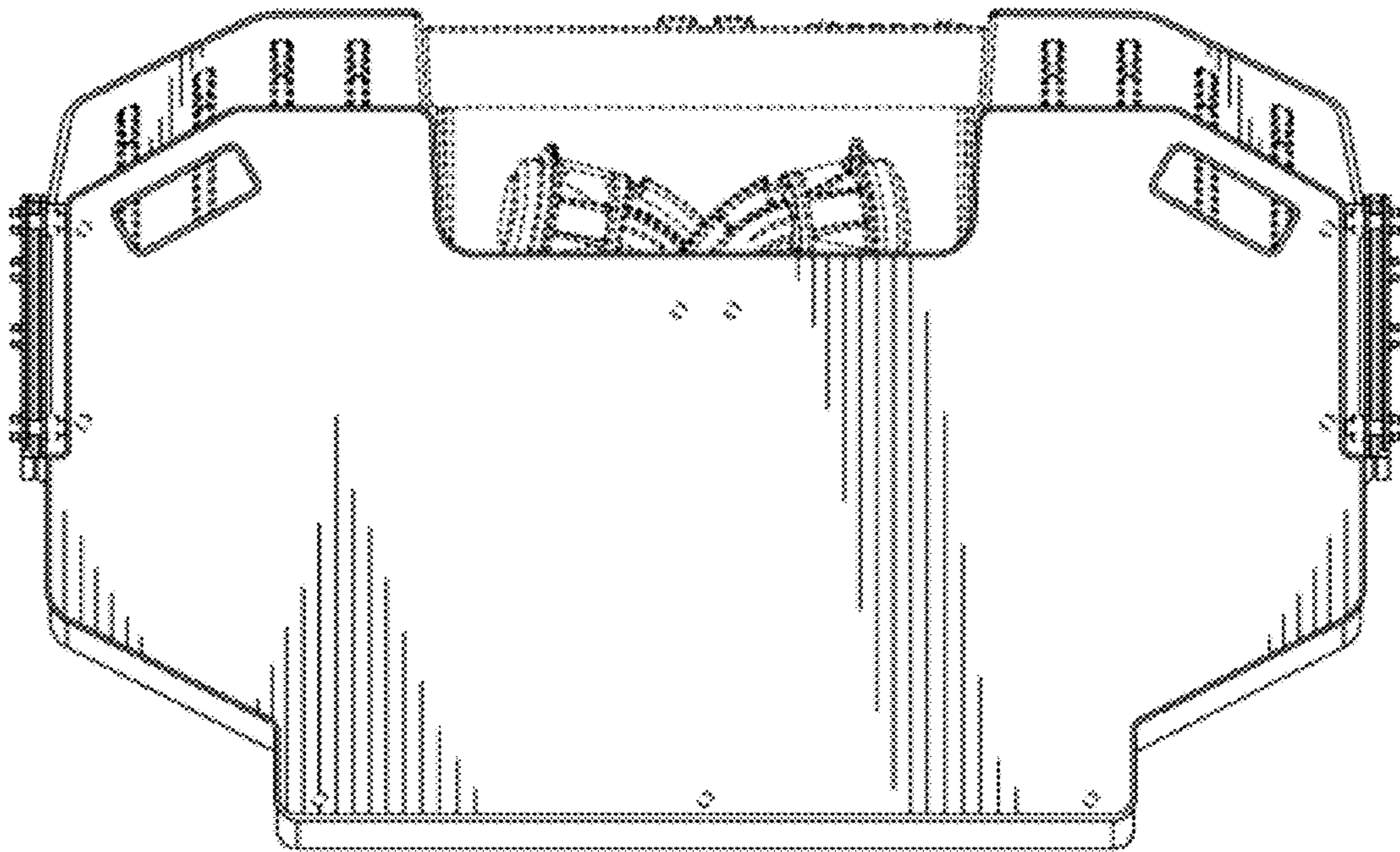


FIG. 5

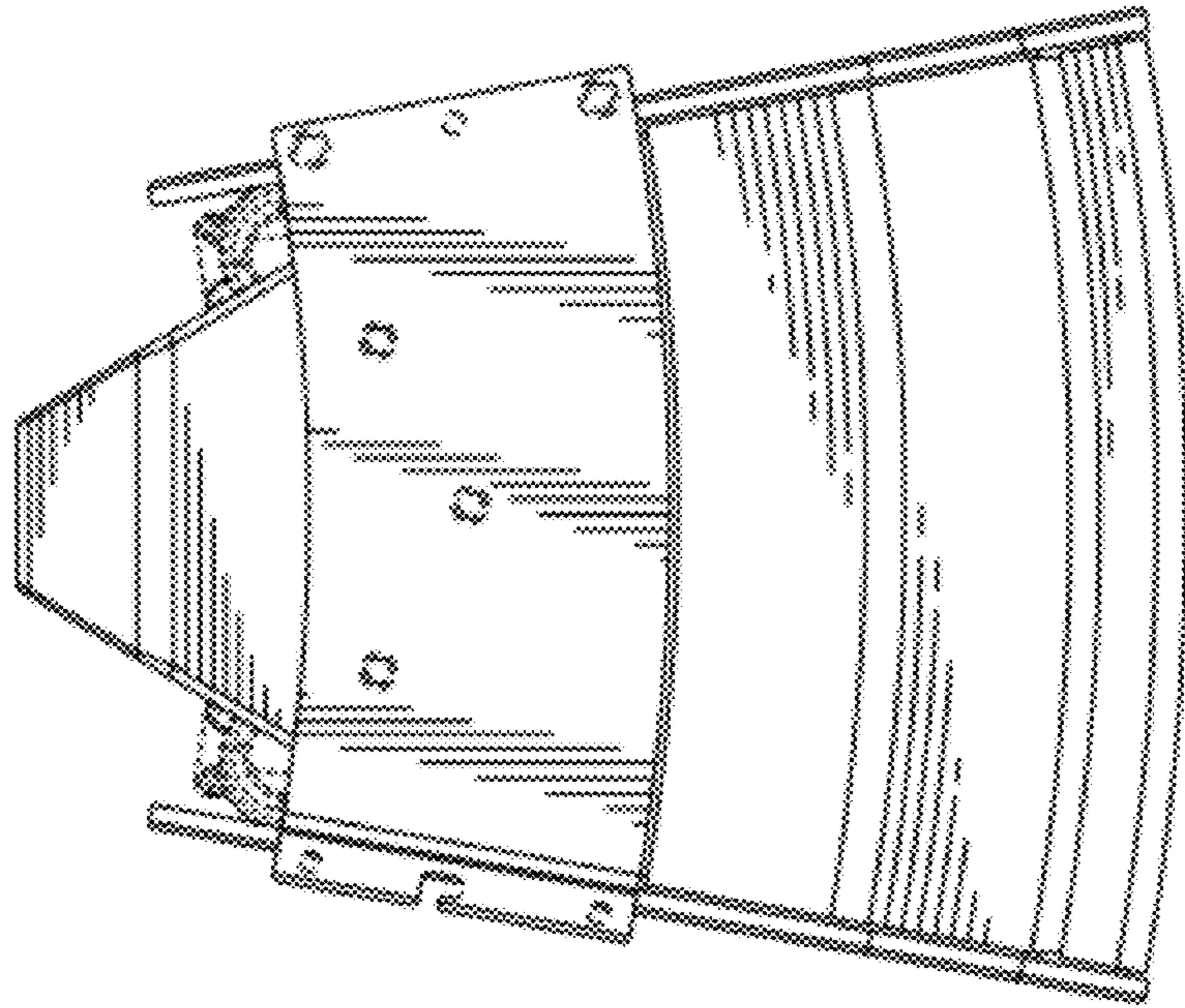


FIG. 6

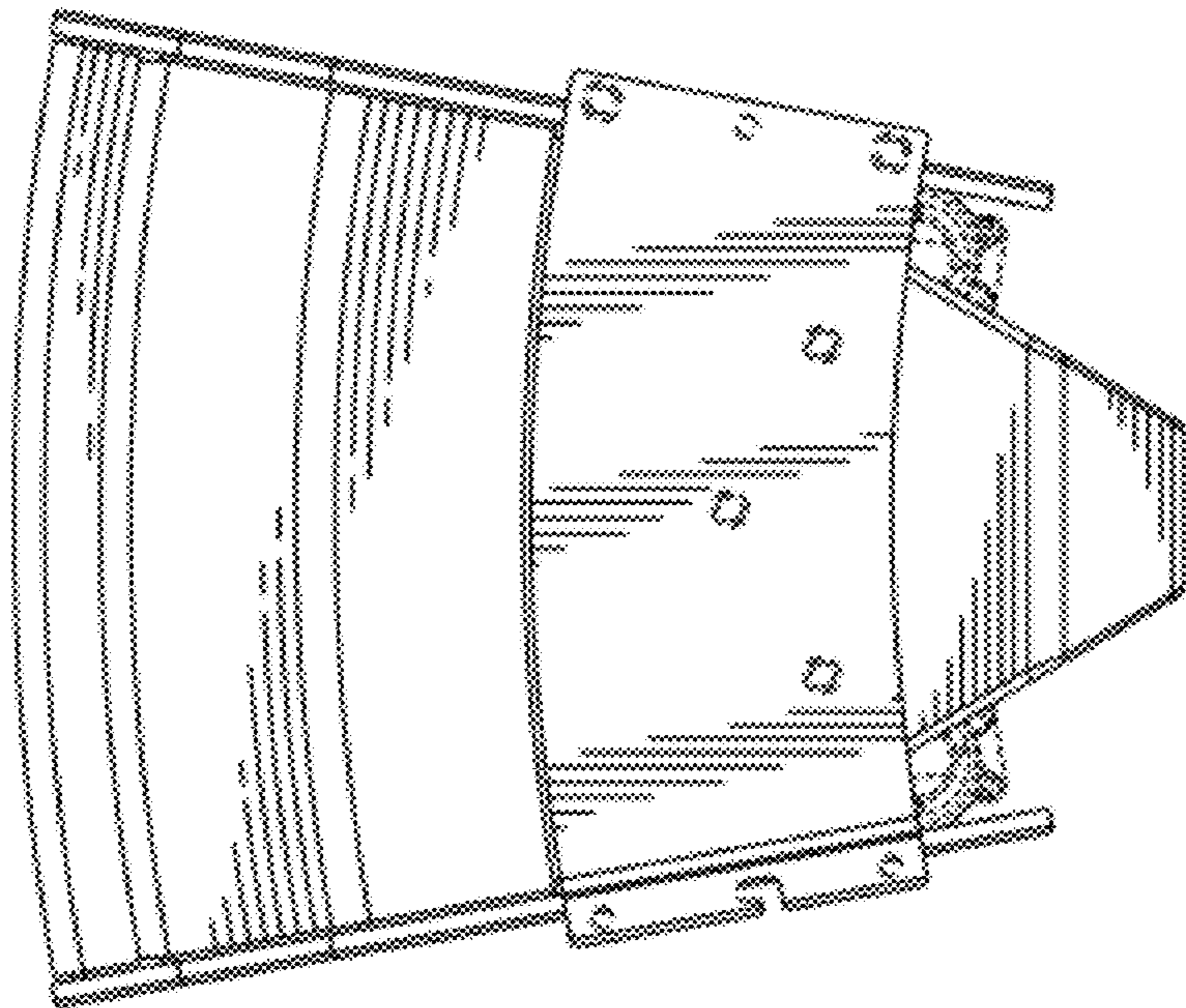


FIG. 7