



US00D671910S

(12) **United States Design Patent**  
**Warden et al.**

(10) **Patent No.:** **US D671,910 S**  
(45) **Date of Patent:** **\*\* Dec. 4, 2012**

(54) **LOUDSPEAKER**

(75) Inventors: **Robert A. Warden**, Southborough, MA (US); **Randy J. Kulchy**, Shrewsbury, MA (US); **Peter C. Santoro**, Shirley, MA (US); **Willy Chung**, Waltham, MA (US)

(73) Assignee: **Bose Corporation**, Framingham, MA (US)

(\*\*) Term: **14 Years**

(21) Appl. No.: **29/411,204**

(22) Filed: **Jan. 18, 2012**

**Related U.S. Application Data**

(62) Division of application No. 29/376,288, filed on Oct. 5, 2010, now Pat. No. Des. 654,906.

(51) **LOC (9) Cl.** ..... **14-01**

(52) **U.S. Cl.** ..... **D14/204**

(58) **Field of Classification Search** ..... D14/204, D14/210, 218, 172; 181/143, 147, 148, 150, 181/153, 157, 198, 199, 166, 144; 381/300–303, 381/306, 332, 333, 336, 345, 361–364, 370, 381/386–388

See application file for complete search history.

(56) **References Cited**

**U.S. PATENT DOCUMENTS**

4,165,797	A	8/1979	Spetalnik	
D295,857	S	5/1988	Nagashima	
4,805,730	A	2/1989	O'Neill et al.	
4,843,624	A *	6/1989	Rashak	381/91
5,646,378	A *	7/1997	Van Haaff et al.	181/30
5,749,137	A *	5/1998	Martin	29/434
5,781,645	A *	7/1998	Beale	381/370
D410,006	S *	5/1999	Miyazaki	D14/214
D418,139	S *	12/1999	Matsuoka	D14/214
D434,750	S *	12/2000	Childers et al.	D14/204
D462,065	S	8/2002	Silverstein et al.	

D484,484	S	12/2003	Green	
D500,025	S *	12/2004	Vincenot et al.	D14/215
D500,306	S *	12/2004	Noselli	D14/217
6,978,030	B2	12/2005	Reich	
7,206,427	B2 *	4/2007	Simidian et al.	381/335
7,324,684	B2	1/2008	Enokido et al.	
7,328,769	B1	2/2008	Adamson	
D569,844	S	5/2008	Thompson et al.	
7,415,124	B2 *	8/2008	Colich	381/335
7,516,932	B2 *	4/2009	Engbretson et al.	248/317
D637,580	S	5/2011	Aranda, Jr. et al.	
D641,339	S	7/2011	Miller	
D660,285	S	5/2012	Lee et al.	

\* cited by examiner

*Primary Examiner* — Prabhakar Deshmukh

(57) **CLAIM**

The ornamental design for a loudspeaker, substantially as shown and described.

**DESCRIPTION**

FIG. 1 is a perspective view of a first embodiment of our new design as seen from the front, bottom and right side of the loudspeaker;

FIG. 2 is a front view thereof;

FIG. 3 is a back view thereof;

FIG. 4 is a top view thereof;

FIG. 5 is a bottom view thereof;

FIG. 6 is a right side view thereof;

FIG. 7 is a left side view thereof;

FIG. 8 is a perspective view of a second embodiment of our new design as seen from the front, bottom and right side of the loudspeaker;

FIG. 9 is a front view thereof;

FIG. 10 is a back view thereof;

FIG. 11 is a top view thereof;

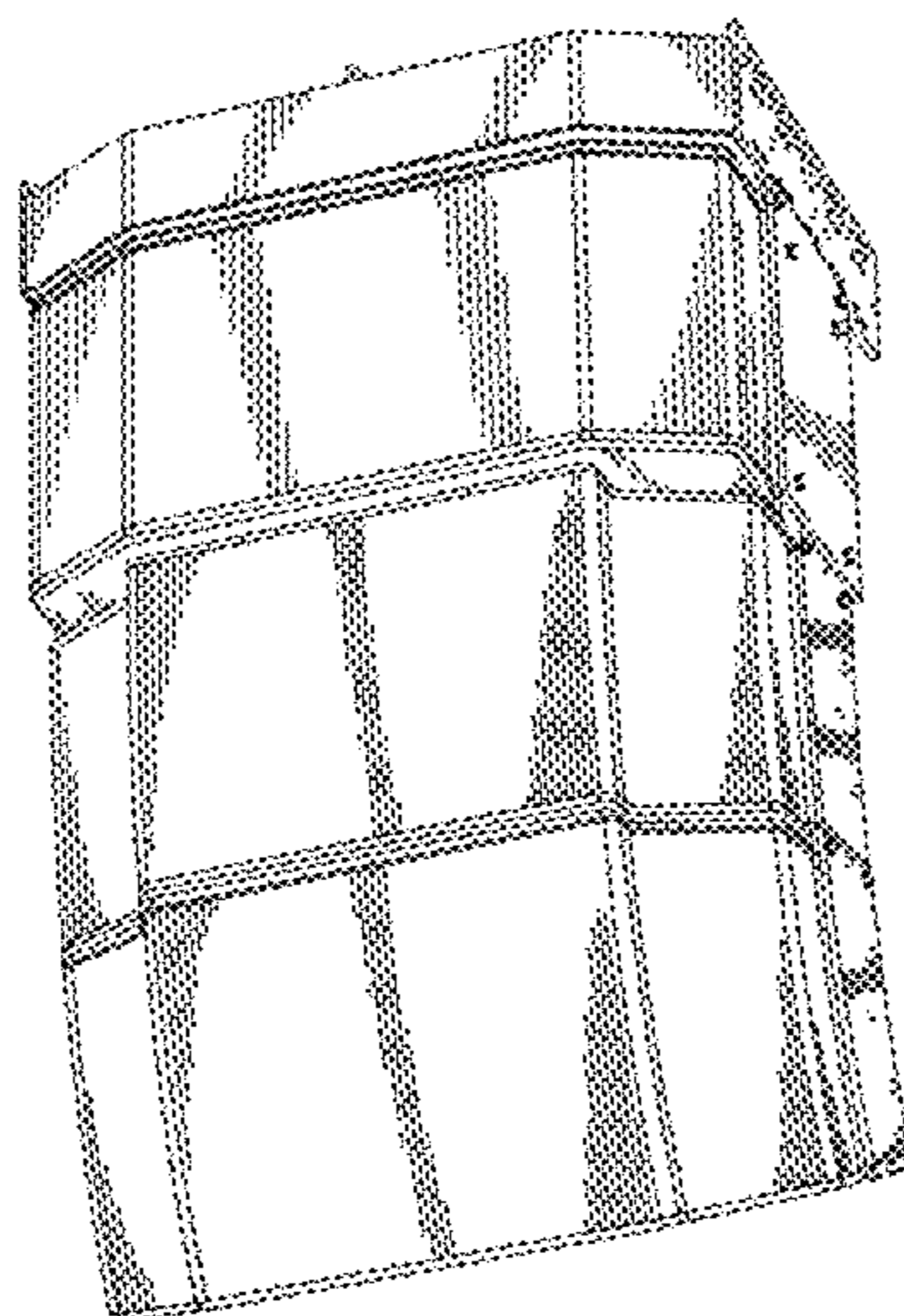
FIG. 12 is a bottom view thereof;

FIG. 13 is a left side view thereof; and,

FIG. 14 is a right side view thereof.

The broken lines shown in the figures are for environmental purposes only and form no part of the claimed design.

**1 Claim, 14 Drawing Sheets**





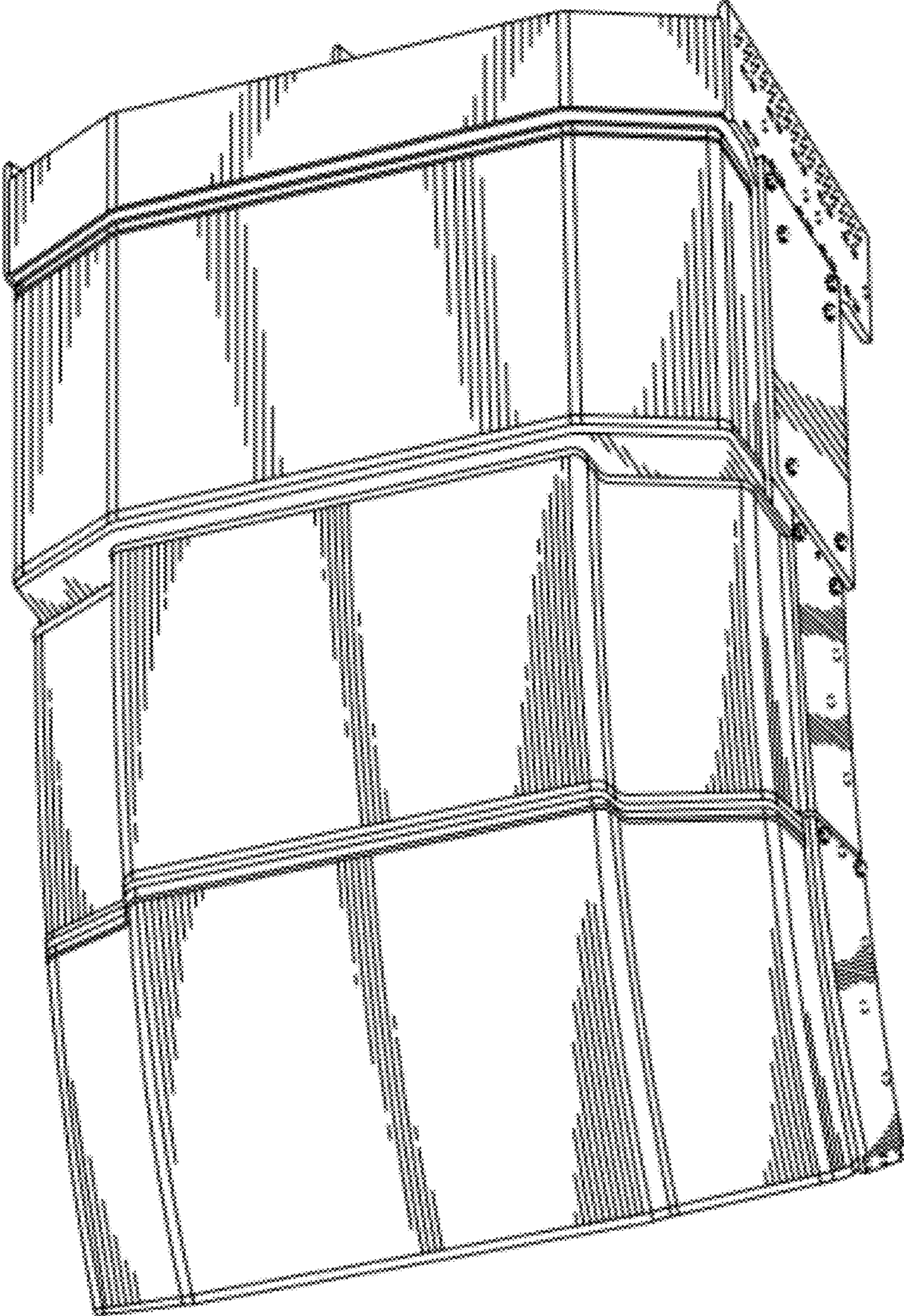


FIG. 1



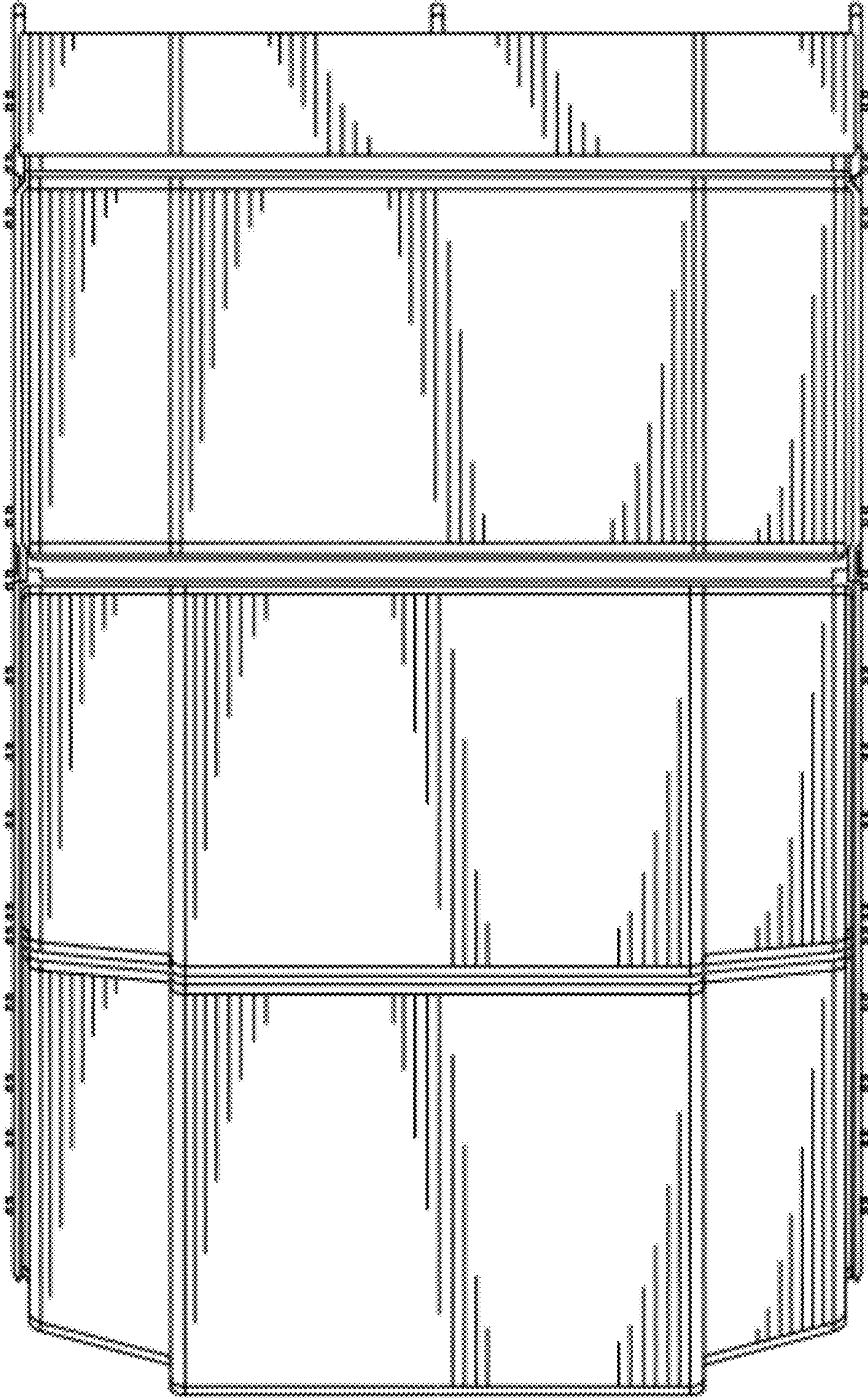


FIG. 2



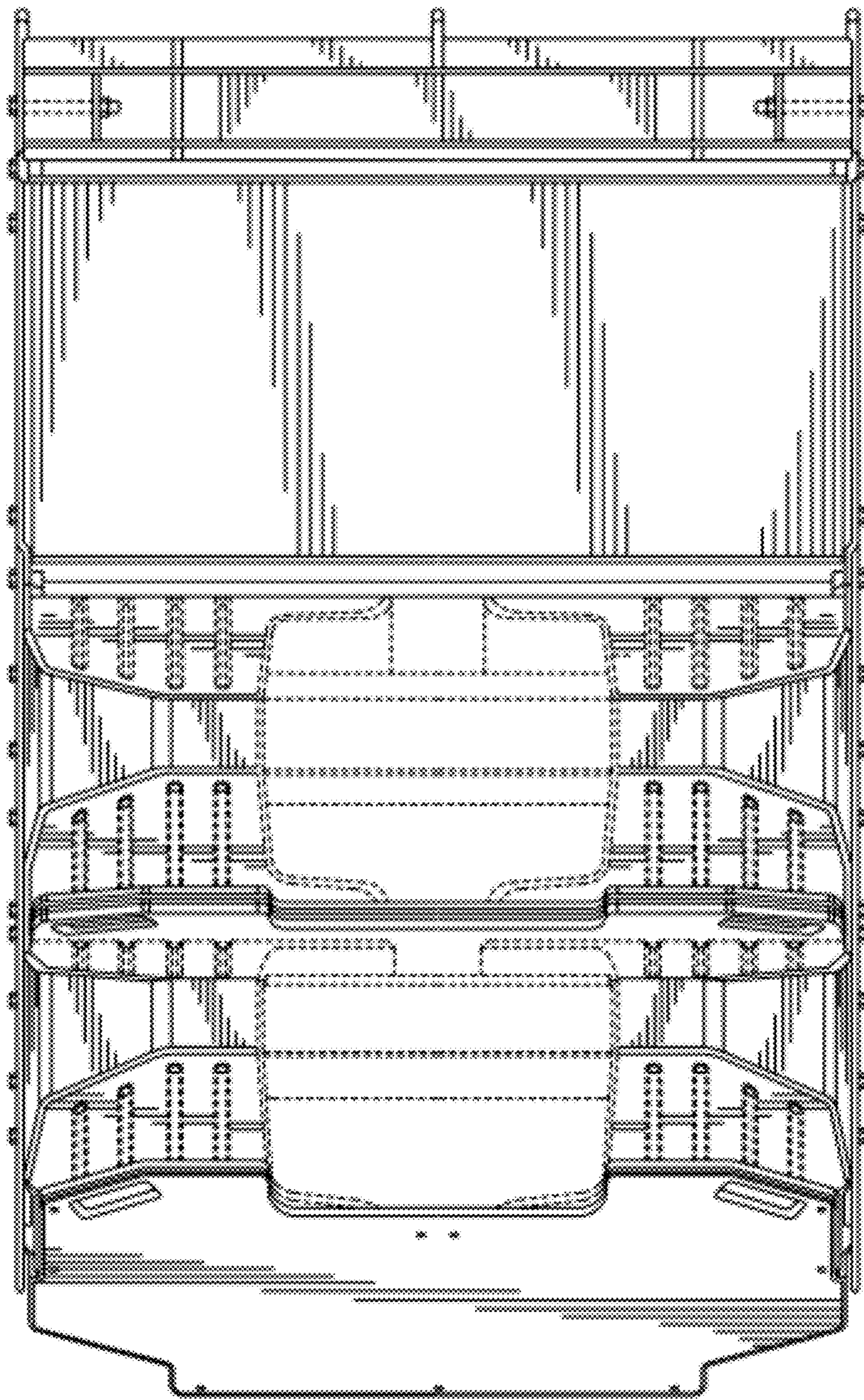


FIG. 3

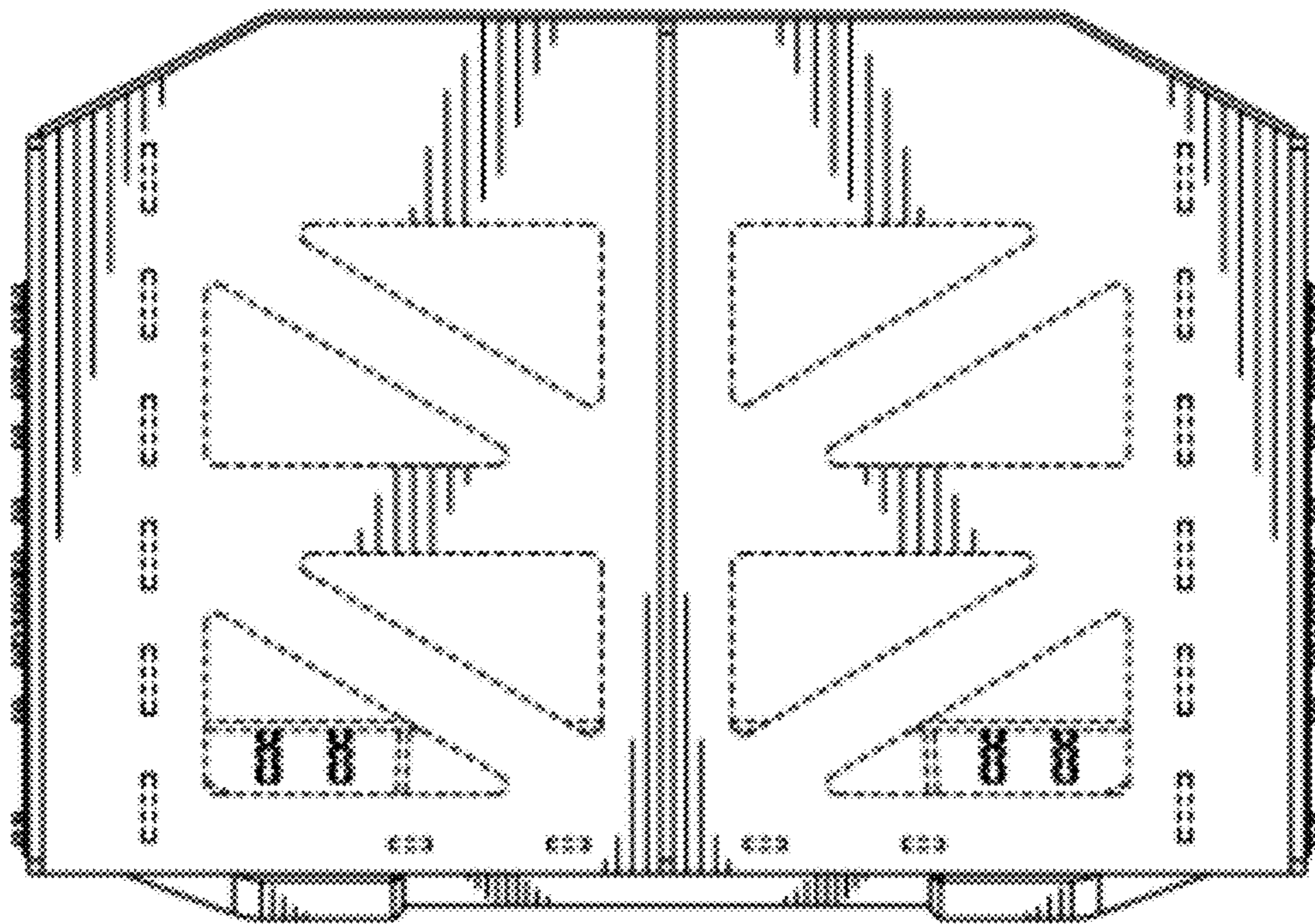


FIG. 4



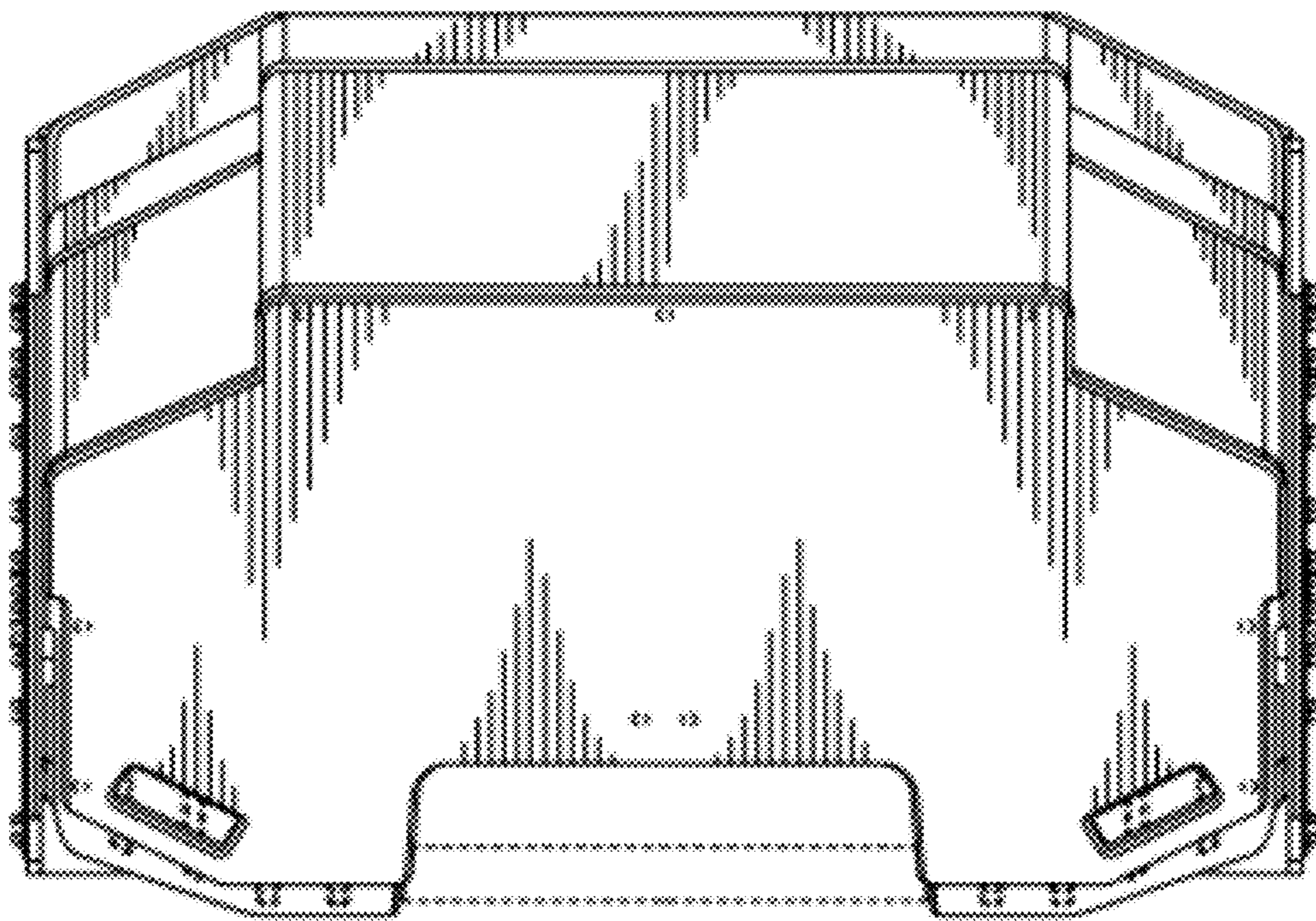


FIG. 5

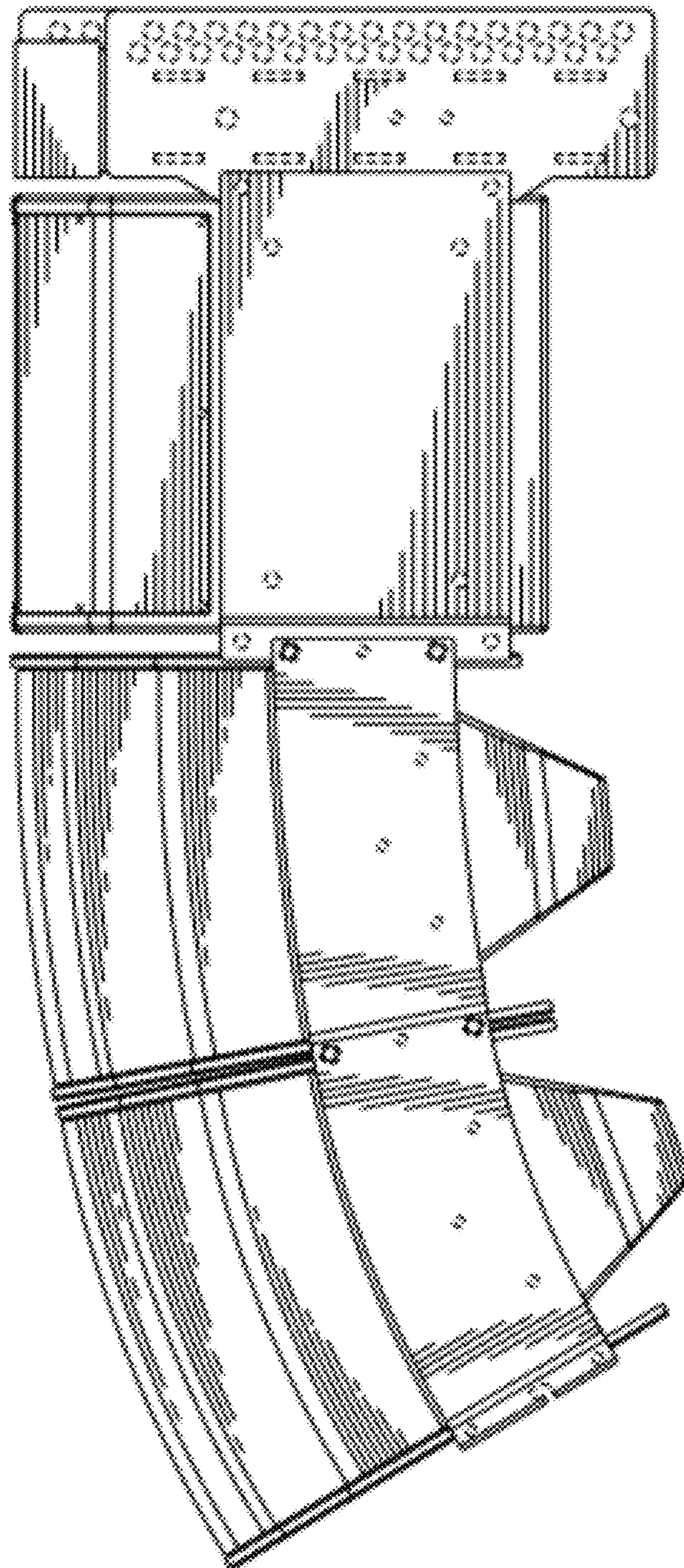


FIG. 6



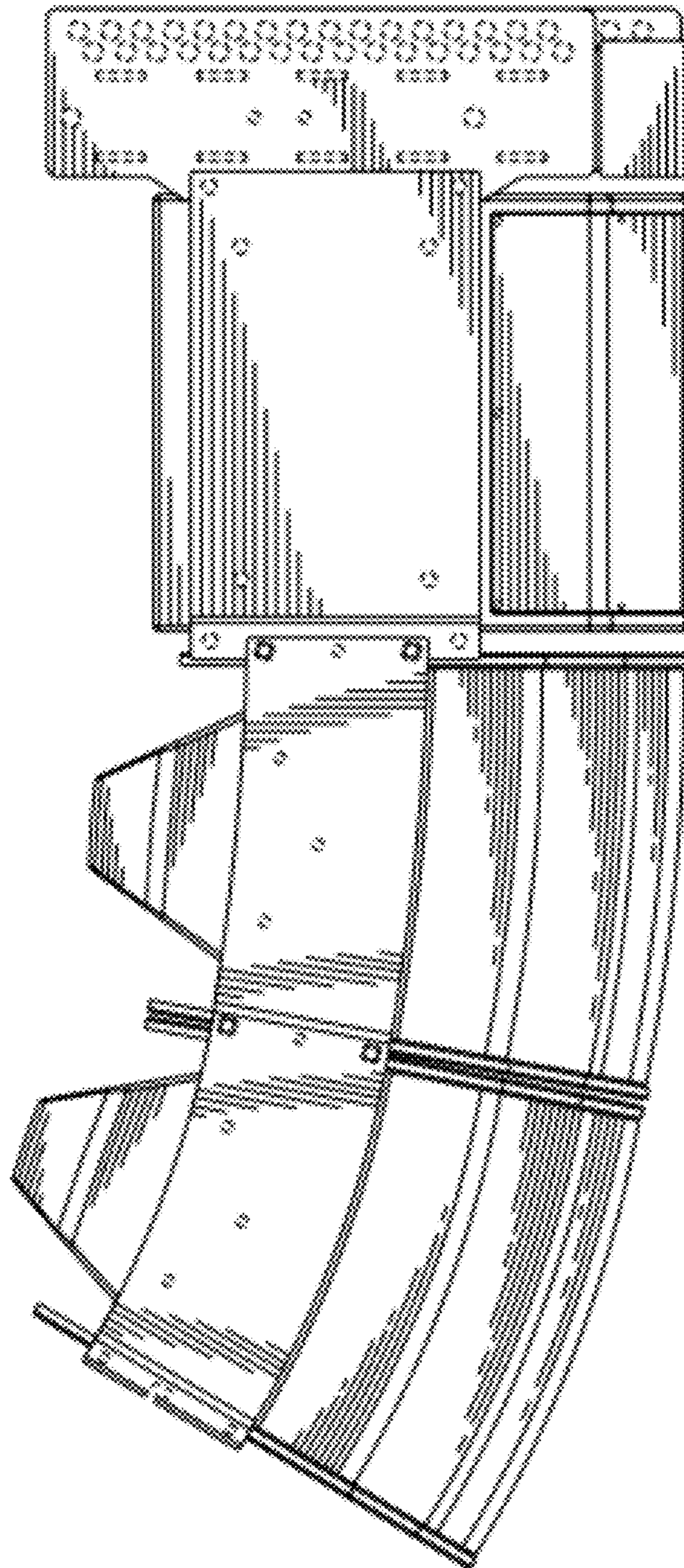


FIG. 7



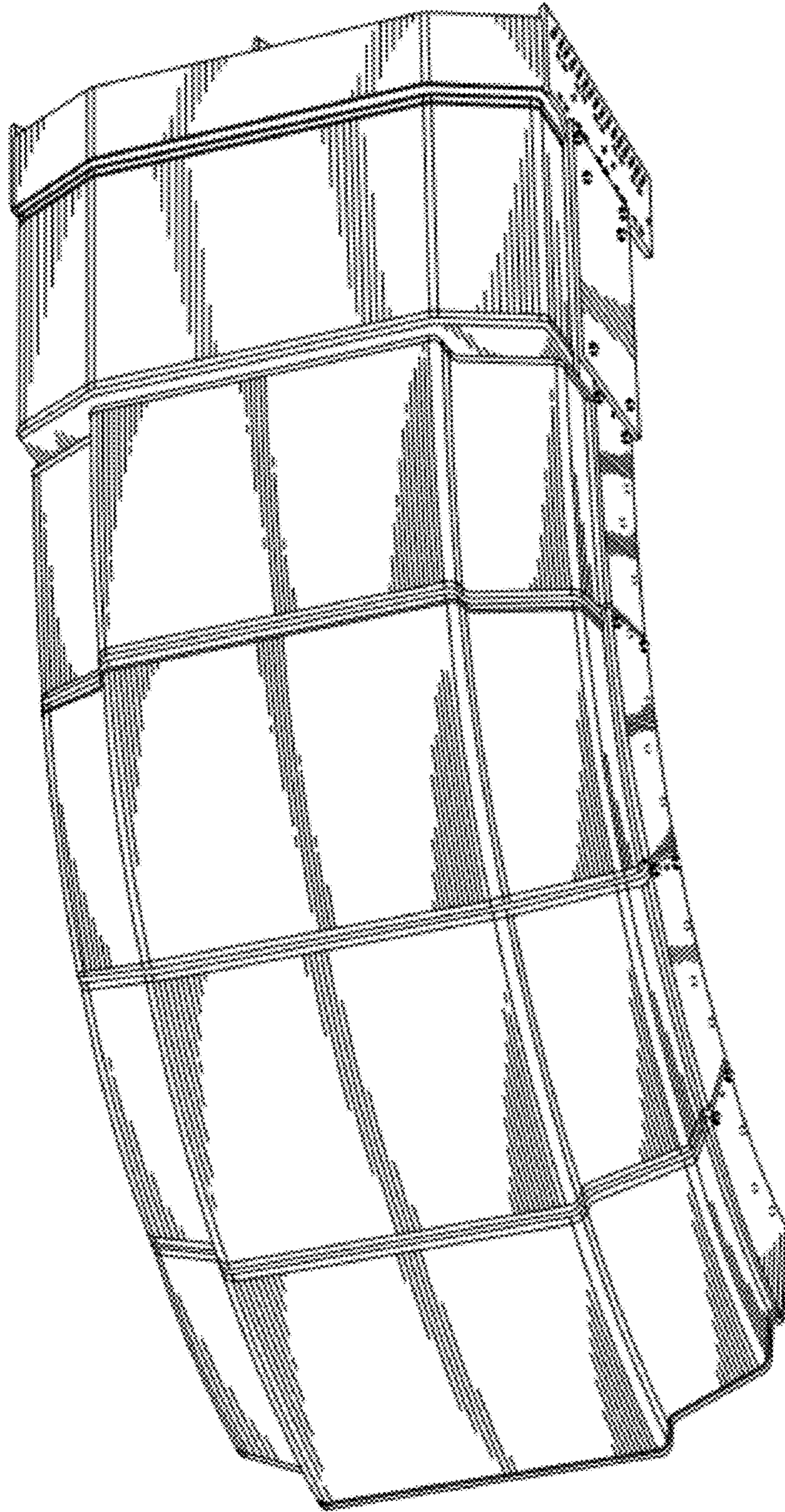


FIG. 8



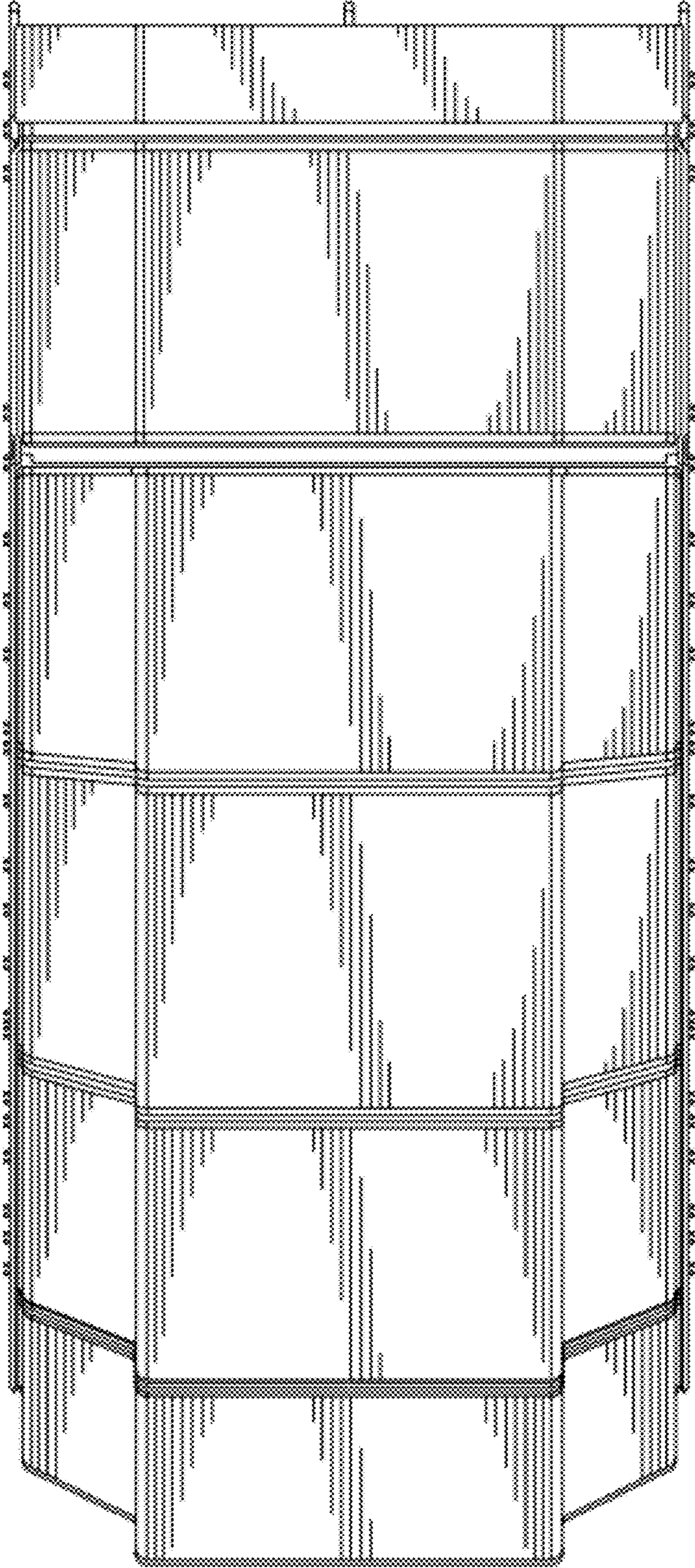


FIG. 9



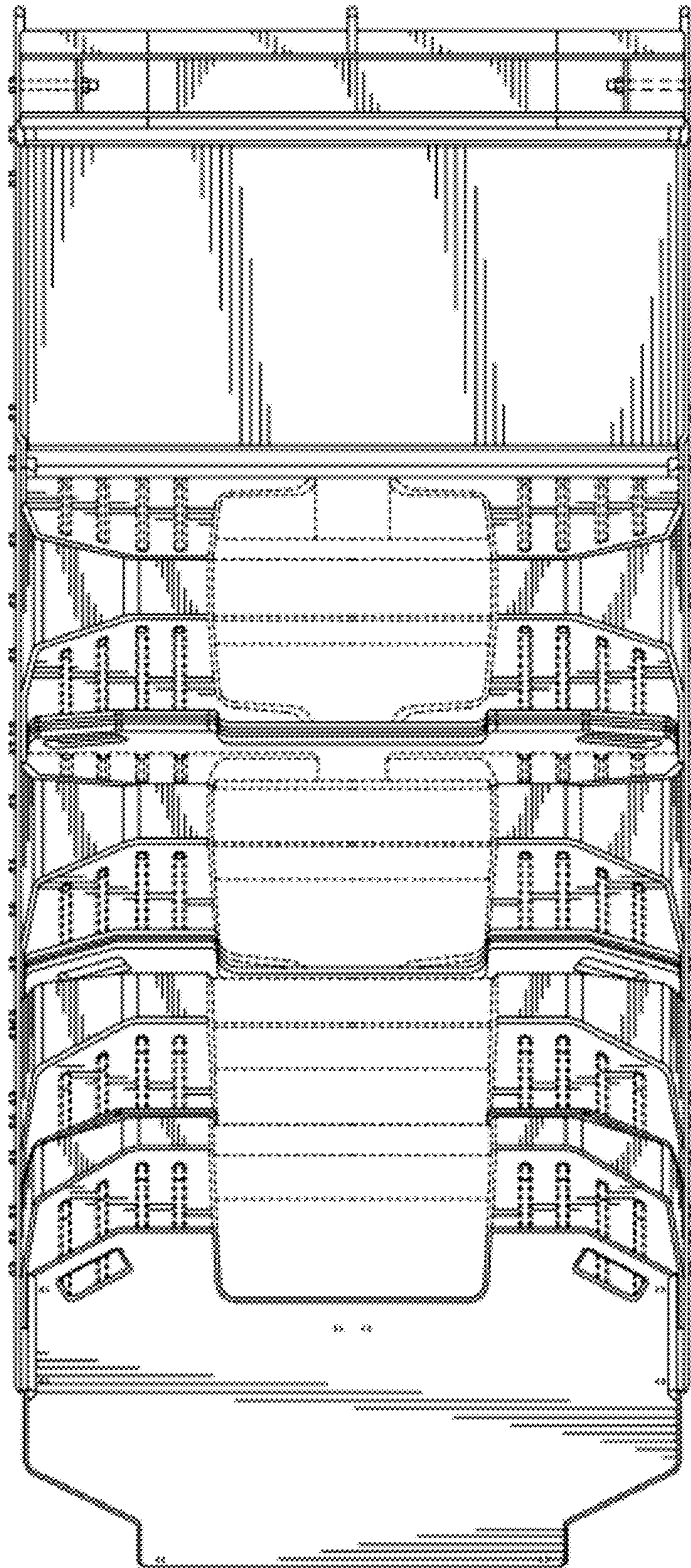


FIG. 10



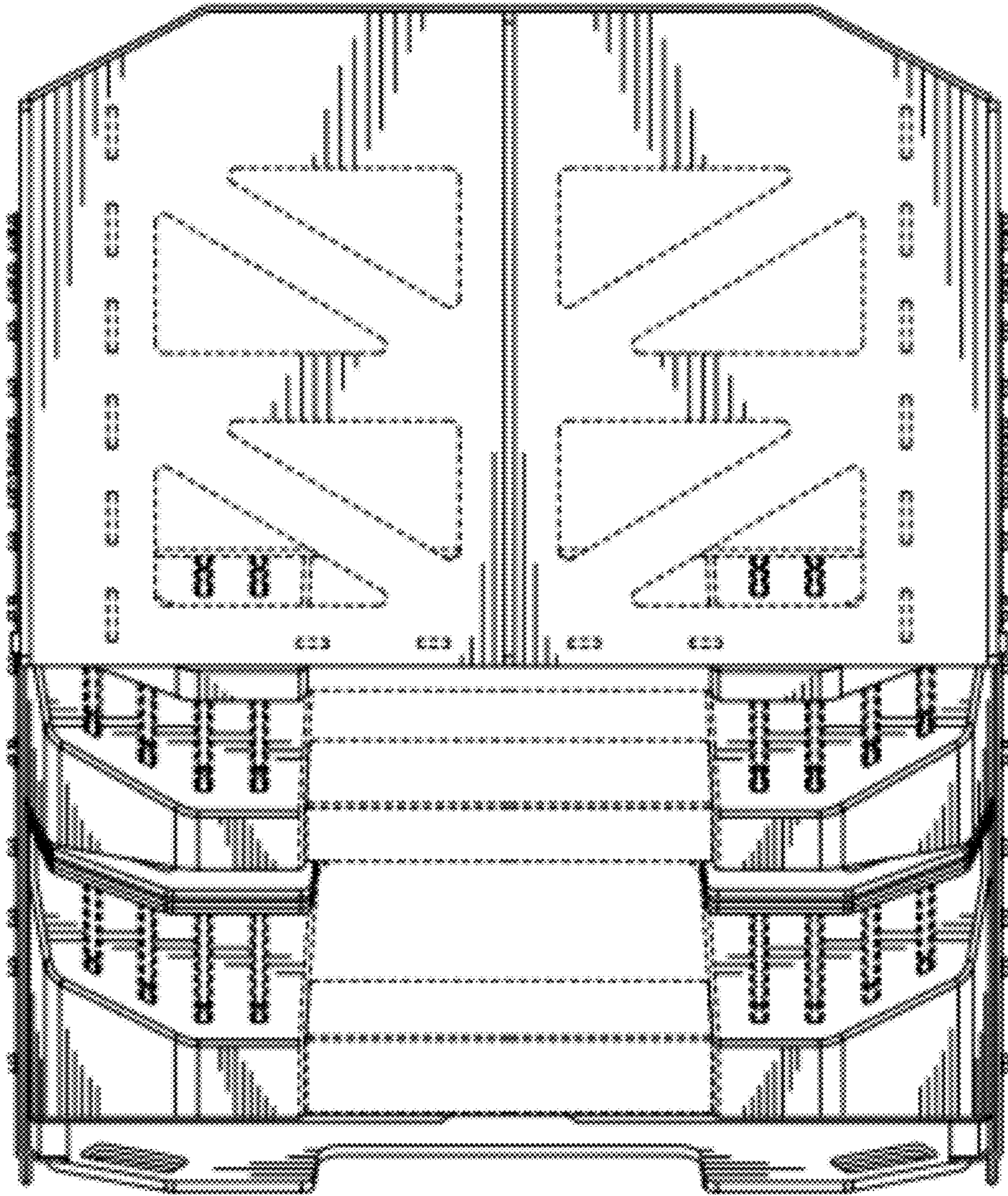


FIG. 11



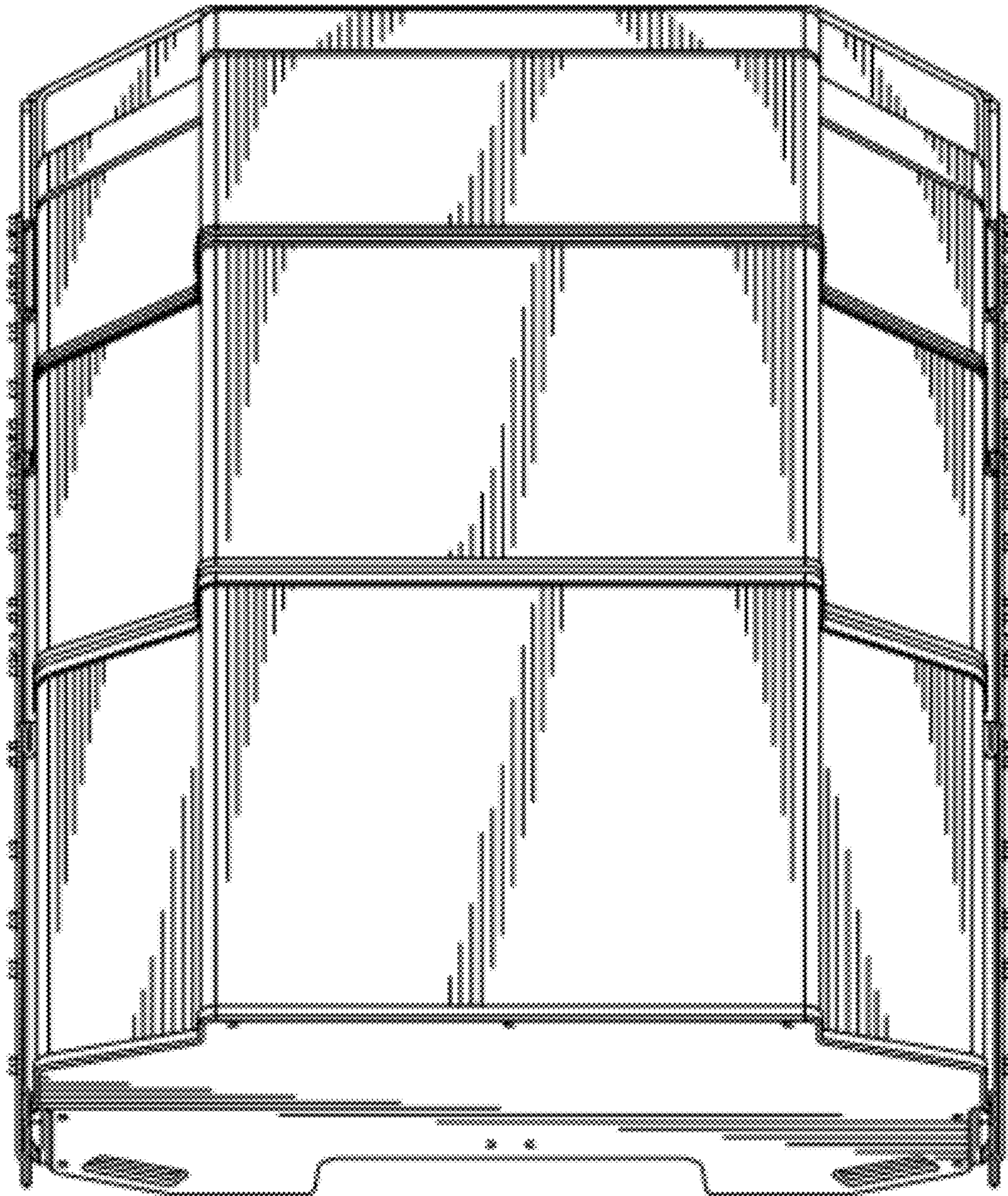


FIG. 12



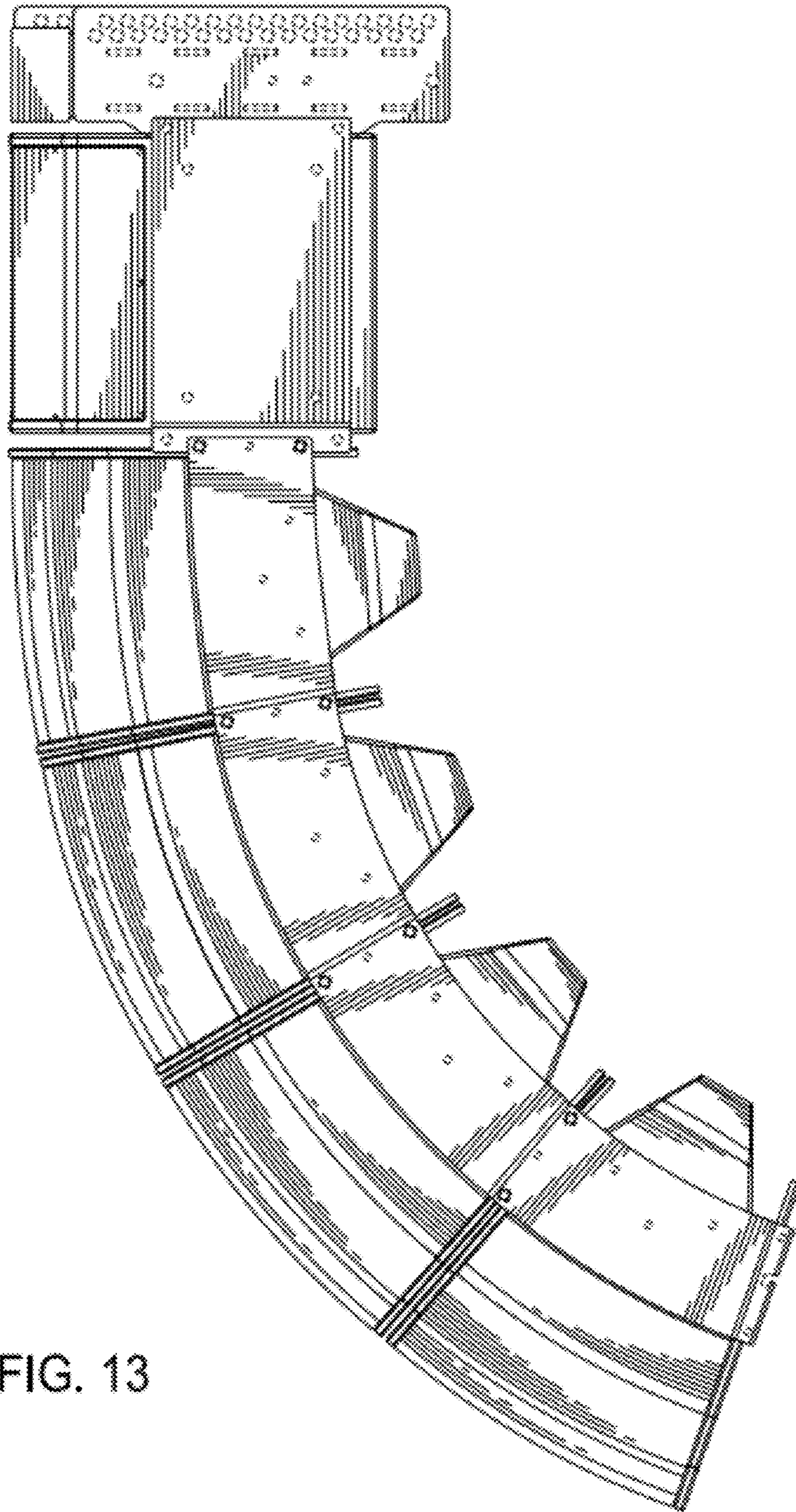


FIG. 13



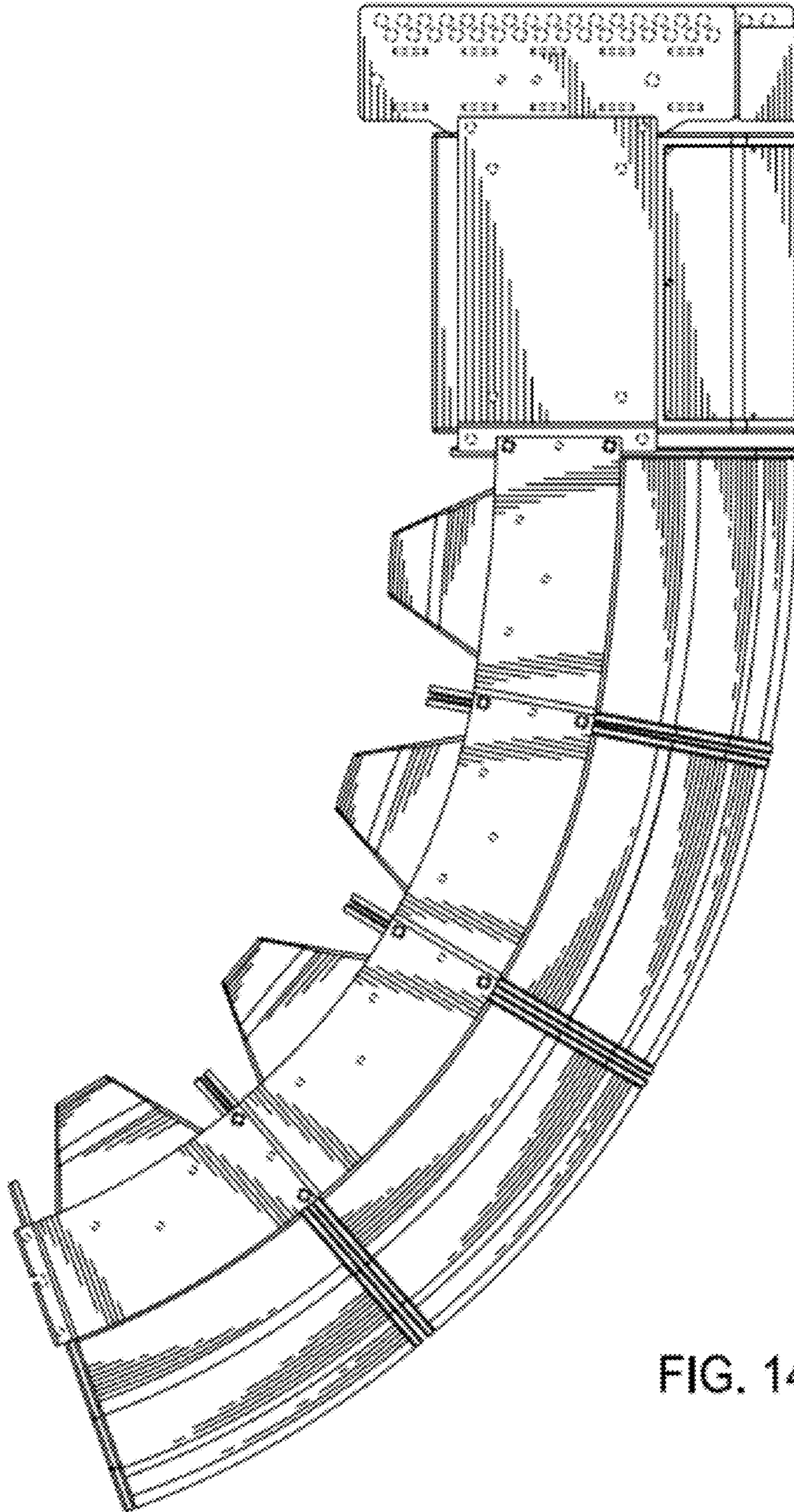


FIG. 14