

US00D671907S

(12) **United States Design Patent**
Behringer et al.

(10) **Patent No.:** **US D671,907 S**
(45) **Date of Patent:** **** *Dec. 4, 2012**

(54) **AUDIO COMPONENT WITH HONEYCOMB PATTERN**

D608,341 S * 1/2010 Nakagawa D14/198
D625,279 S * 10/2010 Boudreau et al. D14/137
D644,623 S * 9/2011 Behringer et al. D14/188

(75) Inventors: **Ulrich Behringer**, Makati (PH); **Costa Lakoumentas**, Surrey (CA); **David Czarnecki**, Seattle, WA (US)

* cited by examiner

(73) Assignee: **Red Chip Company Ltd.**, Tortola (VG)

Primary Examiner — Keli L Hill

(*) Notice: This patent is subject to a terminal disclaimer.

(74) *Attorney, Agent, or Firm* — Seed IP Law Group PLLC

(**) Term: **14 Years**

(57) **CLAIM**
The ornamental design for the audio component with honeycomb pattern, as shown and described.

(21) Appl. No.: **29/363,141**

DESCRIPTION

(22) Filed: **Jun. 4, 2010**

(51) **LOC (9) Cl.** **14-03**

(52) **U.S. Cl.** **D14/188; D14/197**

(58) **Field of Classification Search** D14/162, D14/167–169, 175, 179, 188, 194–198, 215, D14/217, 257, 258, 265, 299, 496; D13/163, D13/164; 84/625, 660, 697; 455/344–351; 330/1 R, 3, 4, 250; 381/86, 120
See application file for complete search history.

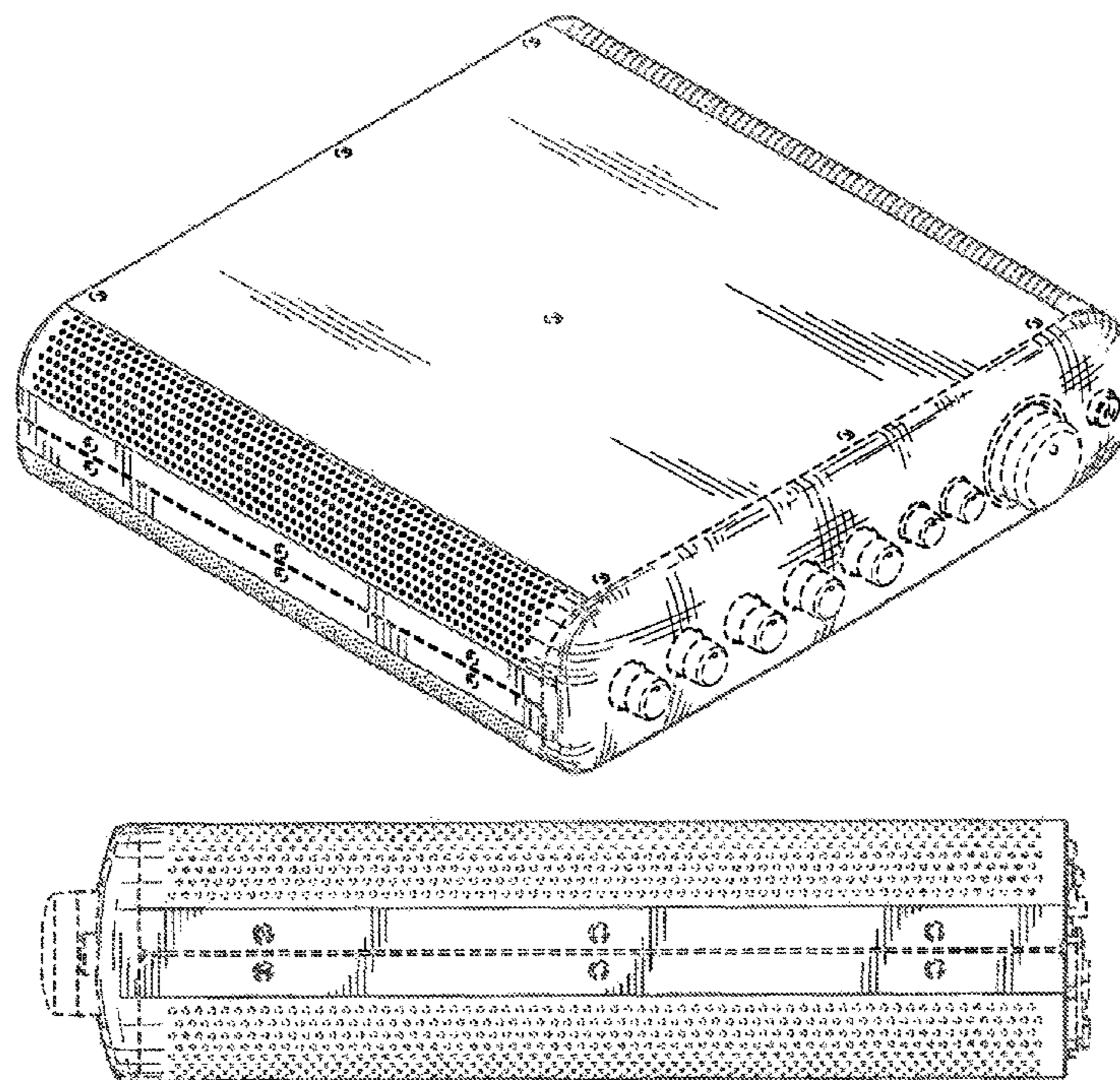
FIG. 1 is a perspective view of the audio component with honeycomb pattern showing the new design.
FIG. 2 is a top plan view of the audio component with honeycomb pattern of FIG. 1.
FIG. 3 is a front elevational view of the audio component with honeycomb pattern of FIG. 1.
FIG. 4 is a bottom plan view of the audio component with honeycomb pattern of FIG. 1.
FIG. 5 is a back elevational view of the audio component with honeycomb pattern of FIG. 1.
FIG. 6 is a right-side elevational view of the audio component with honeycomb pattern of FIG. 1; and,
FIG. 7 is a left-side elevational view of the audio component with honeycomb pattern of FIG. 1.
The broken lines shown are included for purpose of illustrating the unclaimed portions of the article and form no part of the claim.

(56) **References Cited**

U.S. PATENT DOCUMENTS

D331,406 S	*	12/1992	Goatman	D14/137
D454,110 S	*	3/2002	Andre et al.	D13/110
D508,478 S	*	8/2005	Nakajima	D14/188
D536,333 S	*	2/2007	McRae et al.	D14/240
D557,694 S	*	12/2007	Bey et al.	D14/257
D569,840 S	*	5/2008	Tejima	D14/188
D606,094 S	*	12/2009	Kimura	D14/496

1 Claim, 4 Drawing Sheets



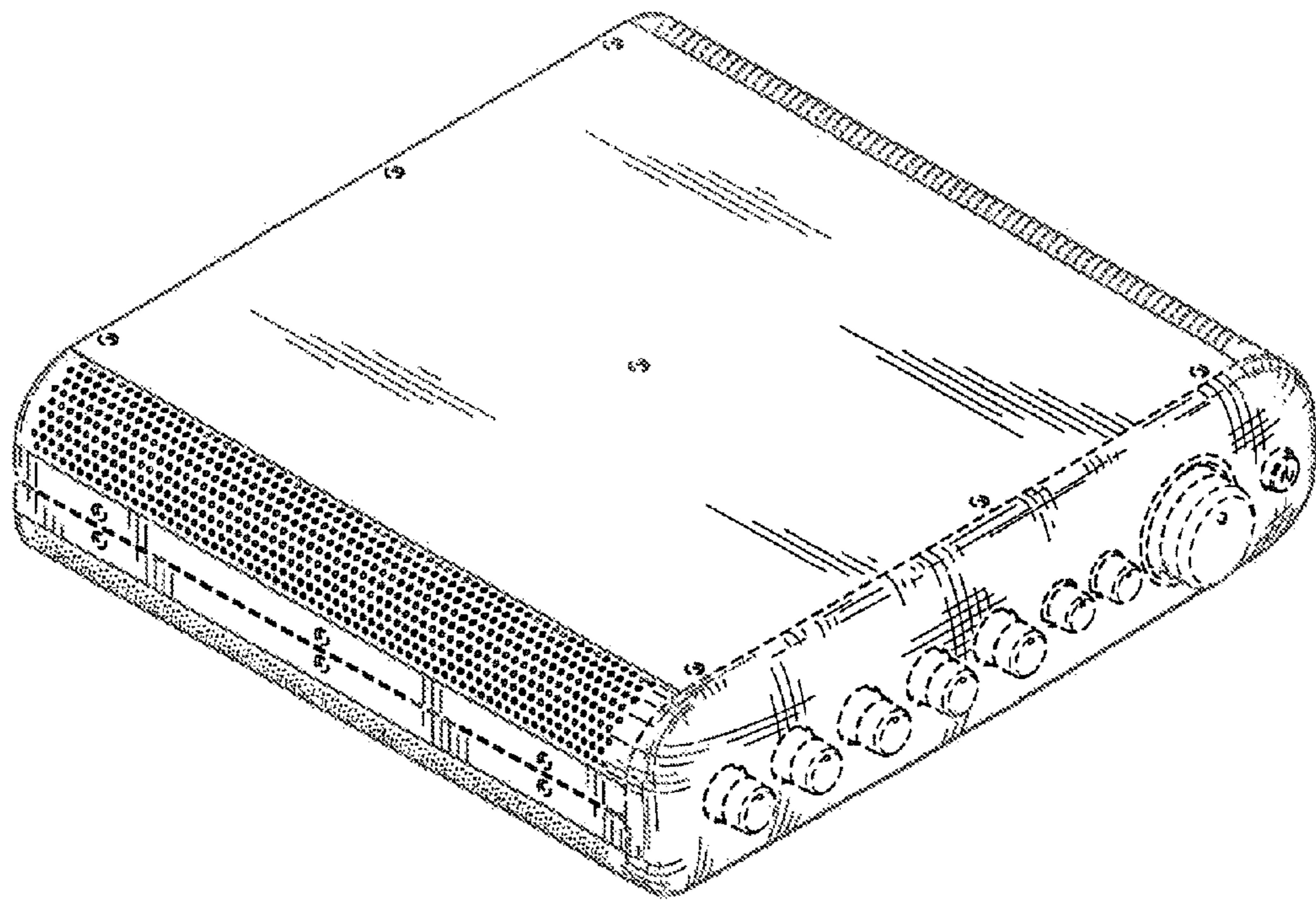


FIG. 1

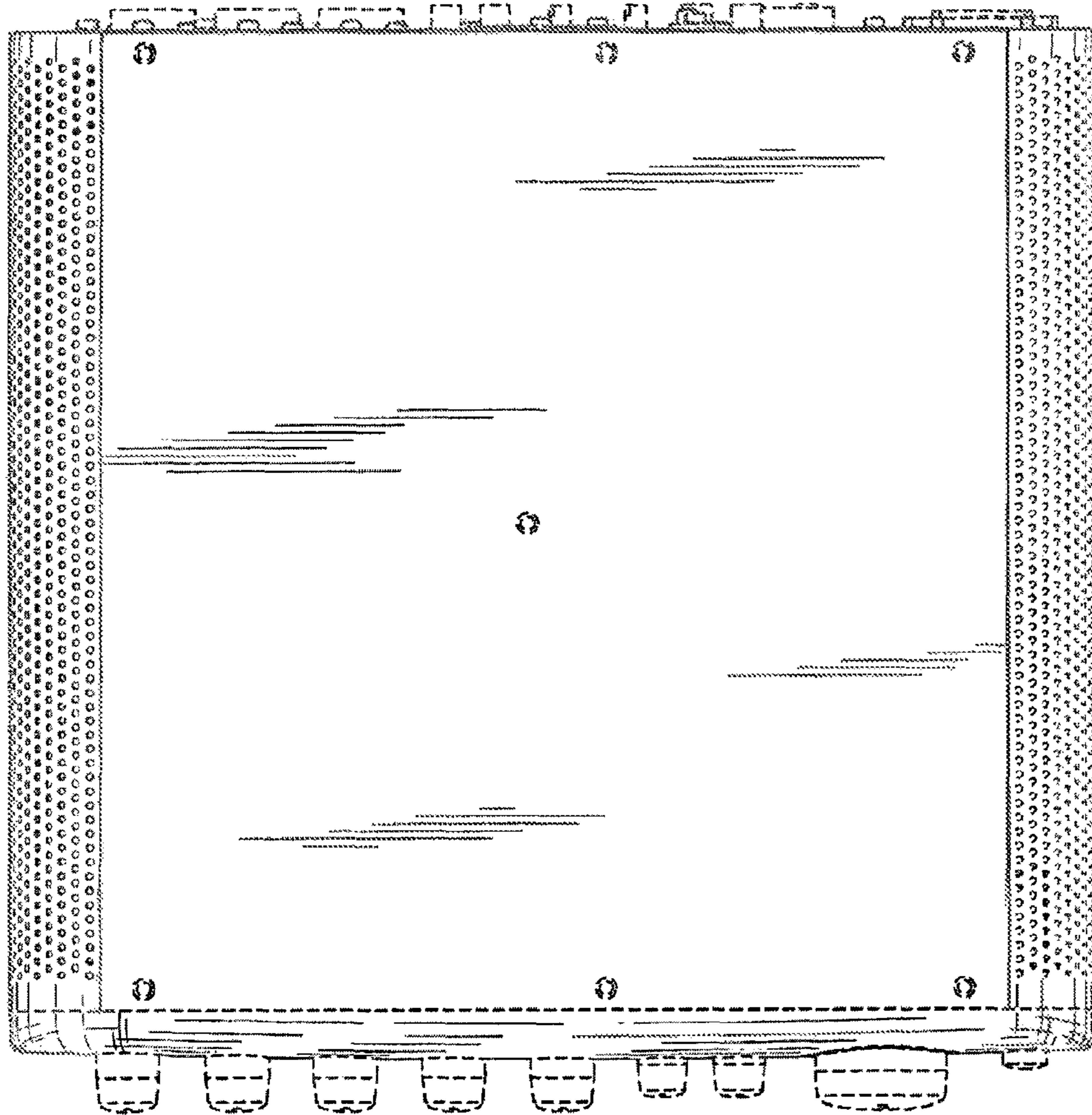


FIG. 2

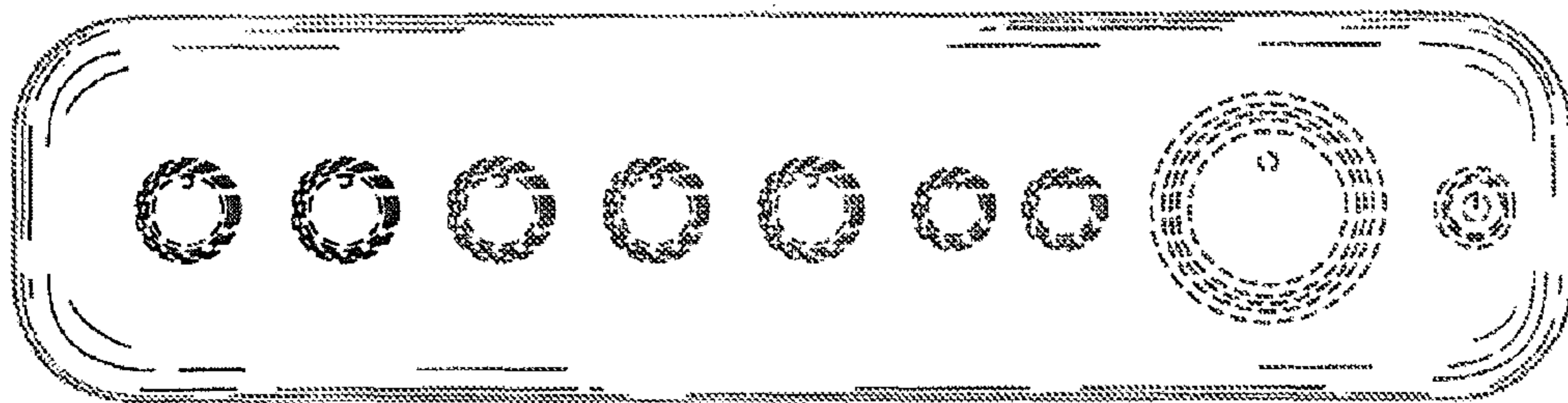


FIG. 3

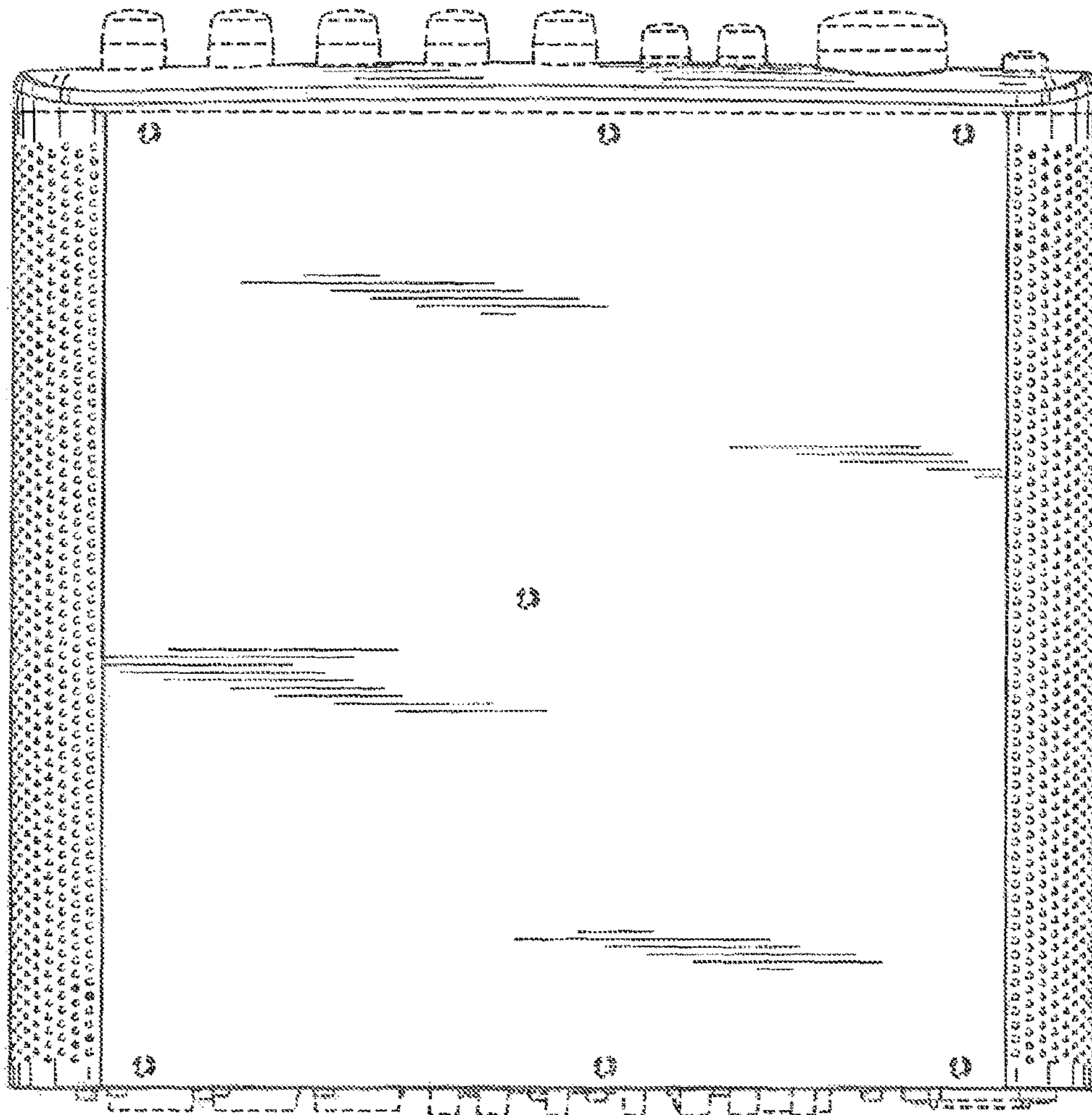


FIG. 4

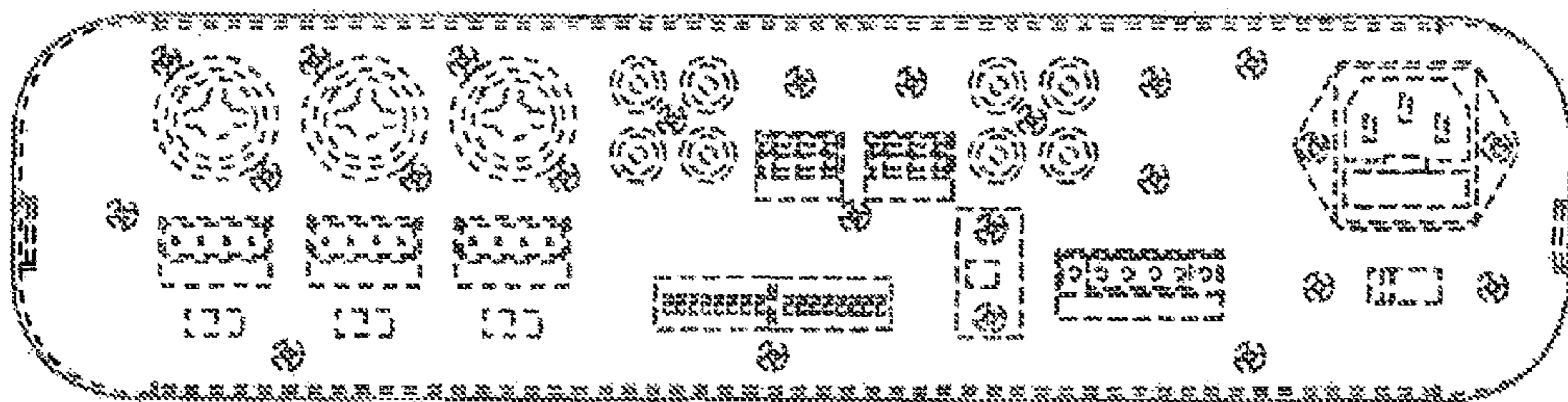


FIG. 5

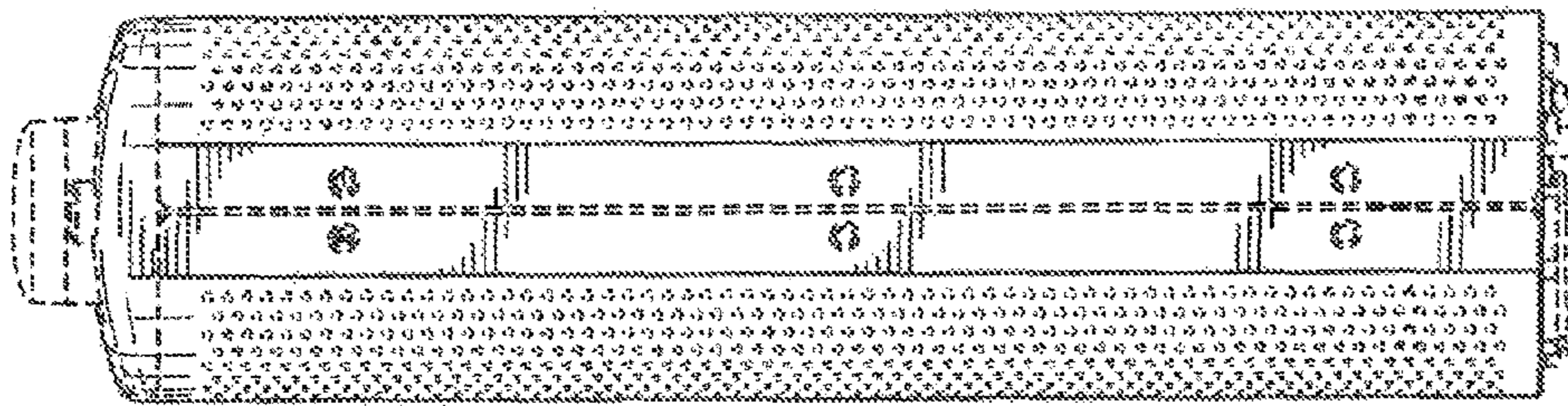


FIG. 6

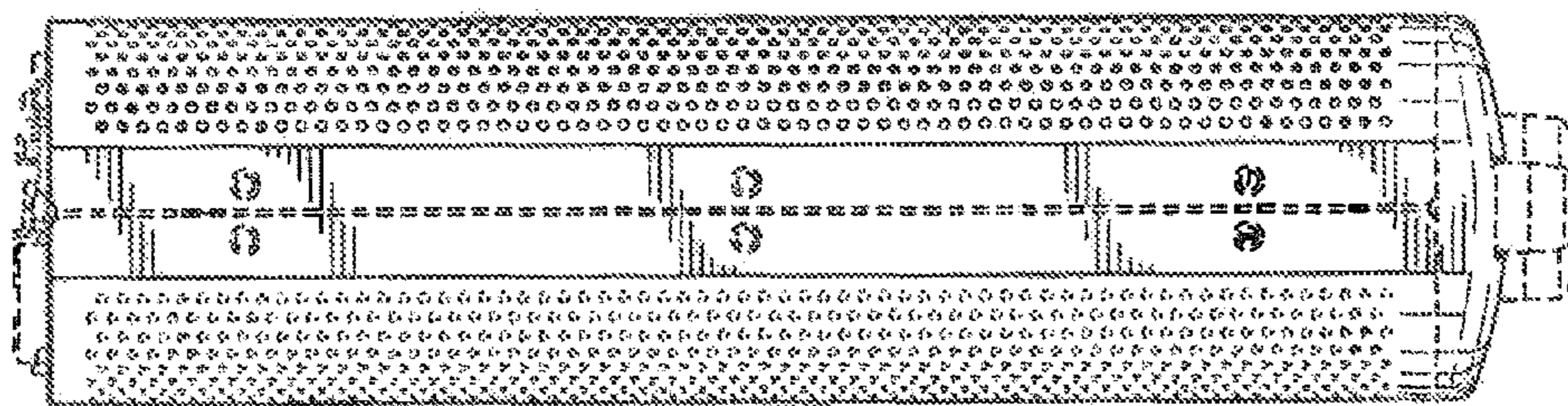


FIG. 7