



US00D671906S

(12) **United States Design Patent**
Kimura

(10) **Patent No.:** **US D671,906 S**
(45) **Date of Patent:** **** Dec. 4, 2012**

(54) **DIGITAL AUDIO DISC PLAYER WITH RADIO
TUNER FOR AUTOMOBILE**

(75) Inventor: **Hideyuki Kimura**, Kanagawa (JP)

(73) Assignee: **JVC Kenwood Corporation**,
Yokohama-shi (JP)

(**) Term: **14 Years**

(21) Appl. No.: **29/399,051**

(22) Filed: **Aug. 9, 2011**

(30) **Foreign Application Priority Data**

Mar. 11, 2011 (JP) D2011-005647

(51) **LOC (9) Cl.** **14-03**

(52) **U.S. Cl.** **D14/157; D14/258; D14/505**

(58) **Field of Classification Search** D14/131,
D14/132, 137, 155, 157, 168-171, 188, 194,
D14/197, 198, 239, 257, 258, 496, 498-508;
455/90.1-90.3, 344-355; 369/6-12

See application file for complete search history.

(56) **References Cited**

U.S. PATENT DOCUMENTS

D522,489 S * 6/2006 Yoshihara D14/157
D565,535 S * 4/2008 Muto D14/157
D585,403 S * 1/2009 Wada D14/500
D587,674 S * 3/2009 Uehara et al. D14/157

D611,059 S * 3/2010 Sugita D14/505
D637,993 S * 5/2011 Yamamoto D14/157
D645,464 S * 9/2011 Kimura D14/257

* cited by examiner

Primary Examiner — Keli L Hill

(74) *Attorney, Agent, or Firm* — Osha Liang LLP

(57) **CLAIM**

The ornamental design for a digital audio disc player with radio tuner for automobile, as shown and described.

DESCRIPTION

FIG. 1 is a perspective view of the front, right, and top of a digital audio disc player with a radio tuner for an automobile illustrating the present design.

FIG. 2 is a front view of the digital audio disc player with a radio tuner for an automobile of FIG. 1.

FIG. 3 is a rear view of the digital audio disc player with a radio tuner for an automobile of FIG. 1.

FIG. 4 is a left side view of the digital audio disc player with a radio tuner for an automobile of FIG. 1.

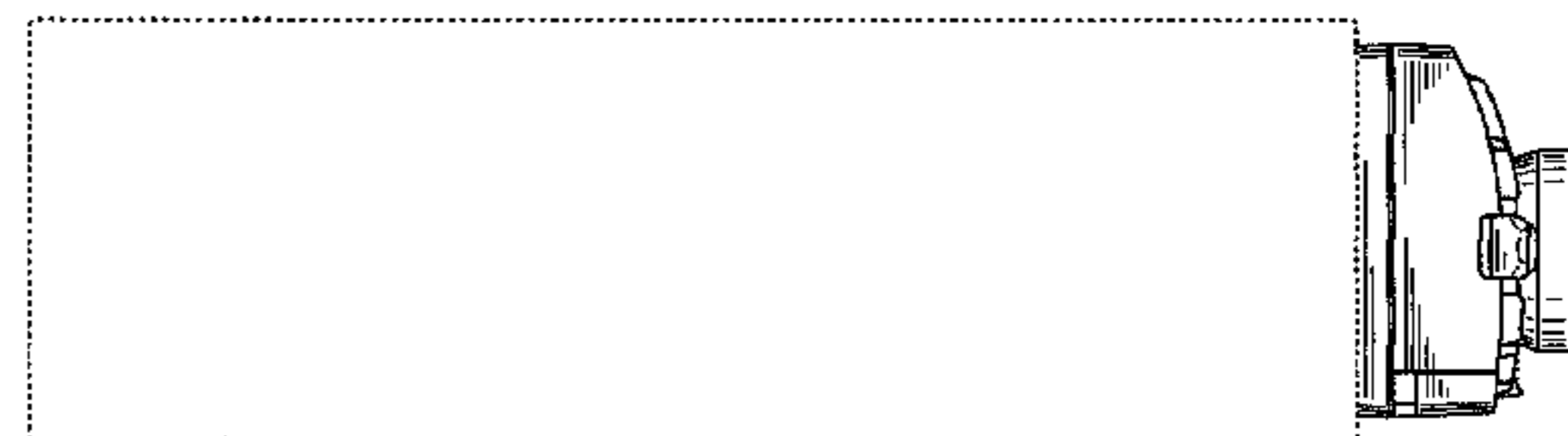
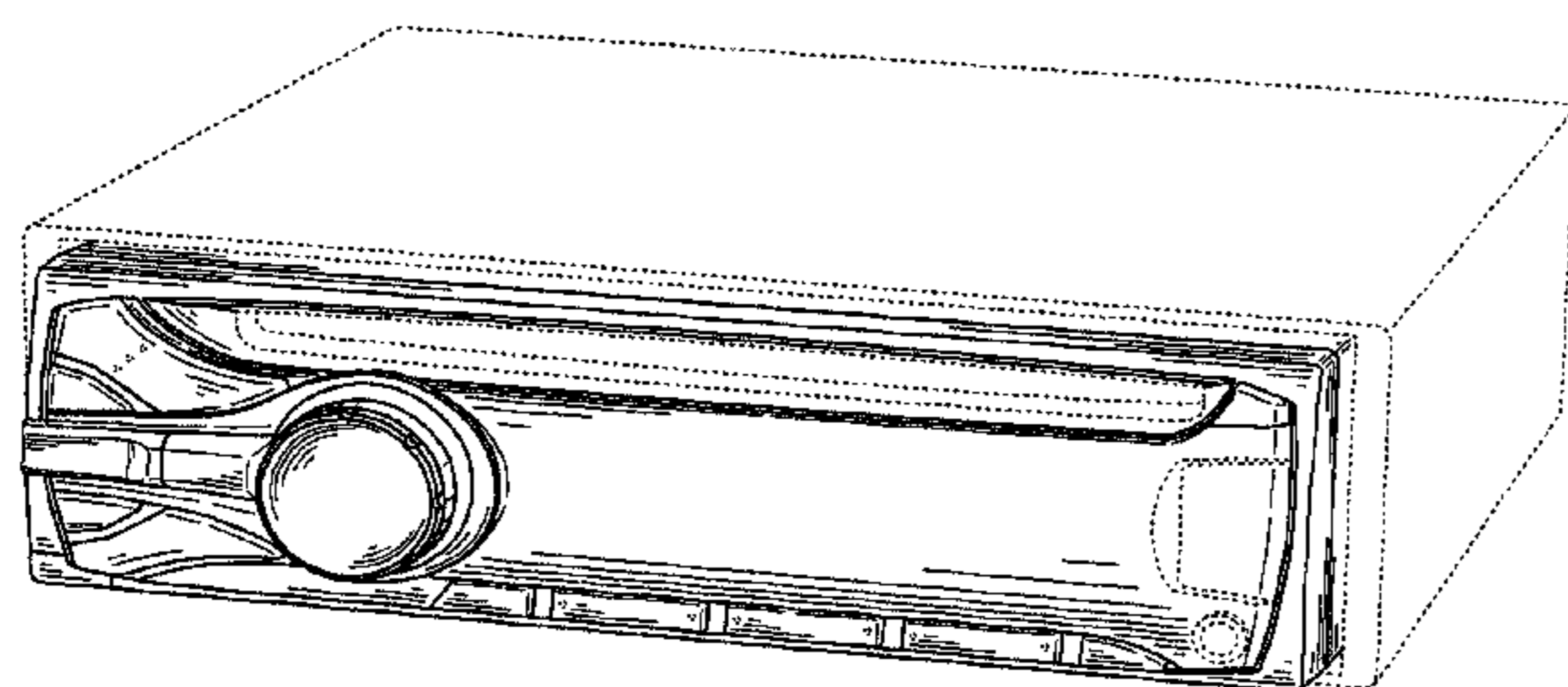
FIG. 5 is a right side view of the digital audio disc player with a radio tuner for an automobile of FIG. 1.

FIG. 6 is a top view of the digital audio disc player with a radio tuner for an automobile of FIG. 1; and,

FIG. 7 is a bottom view of the digital audio disc player with a radio tuner for an automobile of FIG. 1.

The broken lines shown are included for the purpose of illustrating the unclaimed portions of the digital audio disc player with radio tuner for automobile and form no part of the claim.

1 Claim, 4 Drawing Sheets



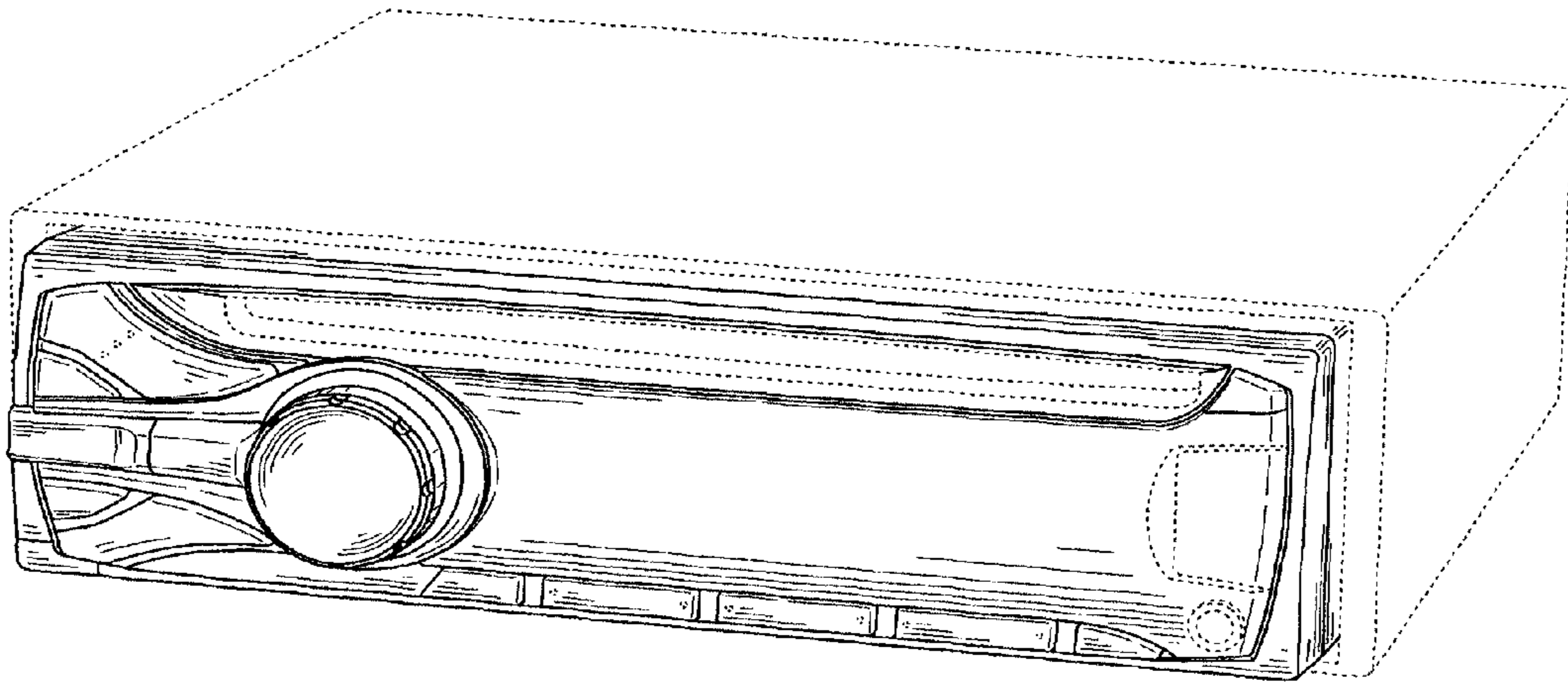


FIG. 1

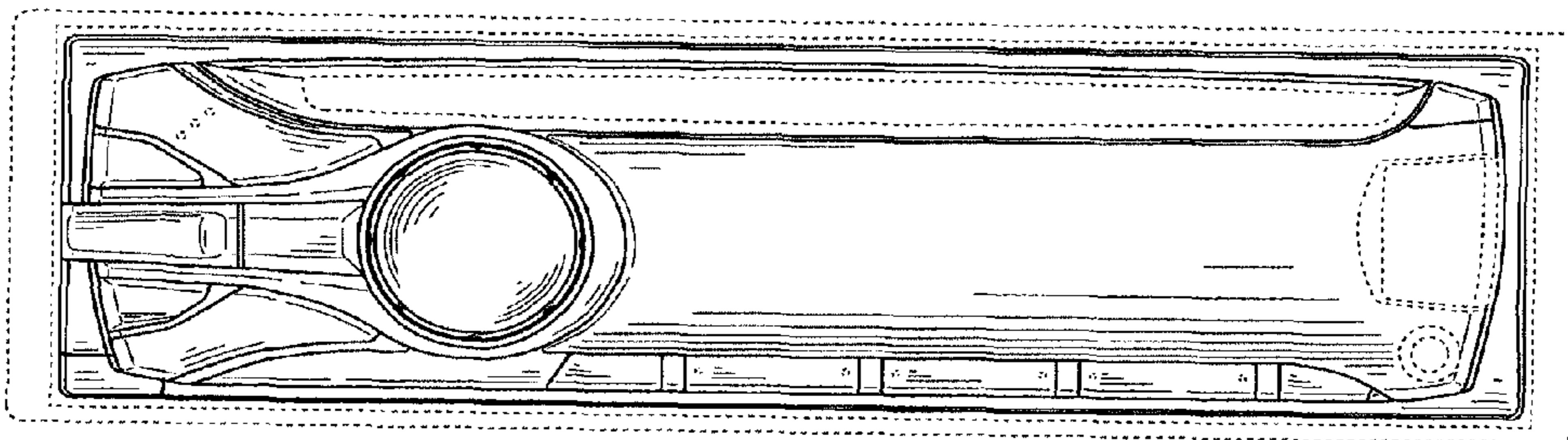


FIG. 2

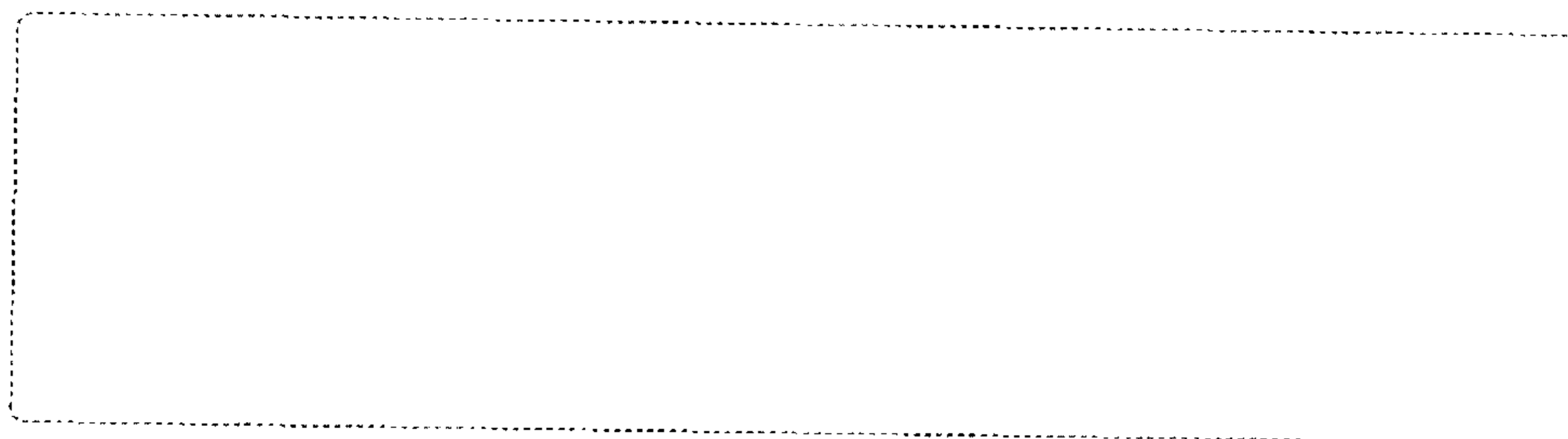


FIG. 3



FIG. 4



FIG. 5

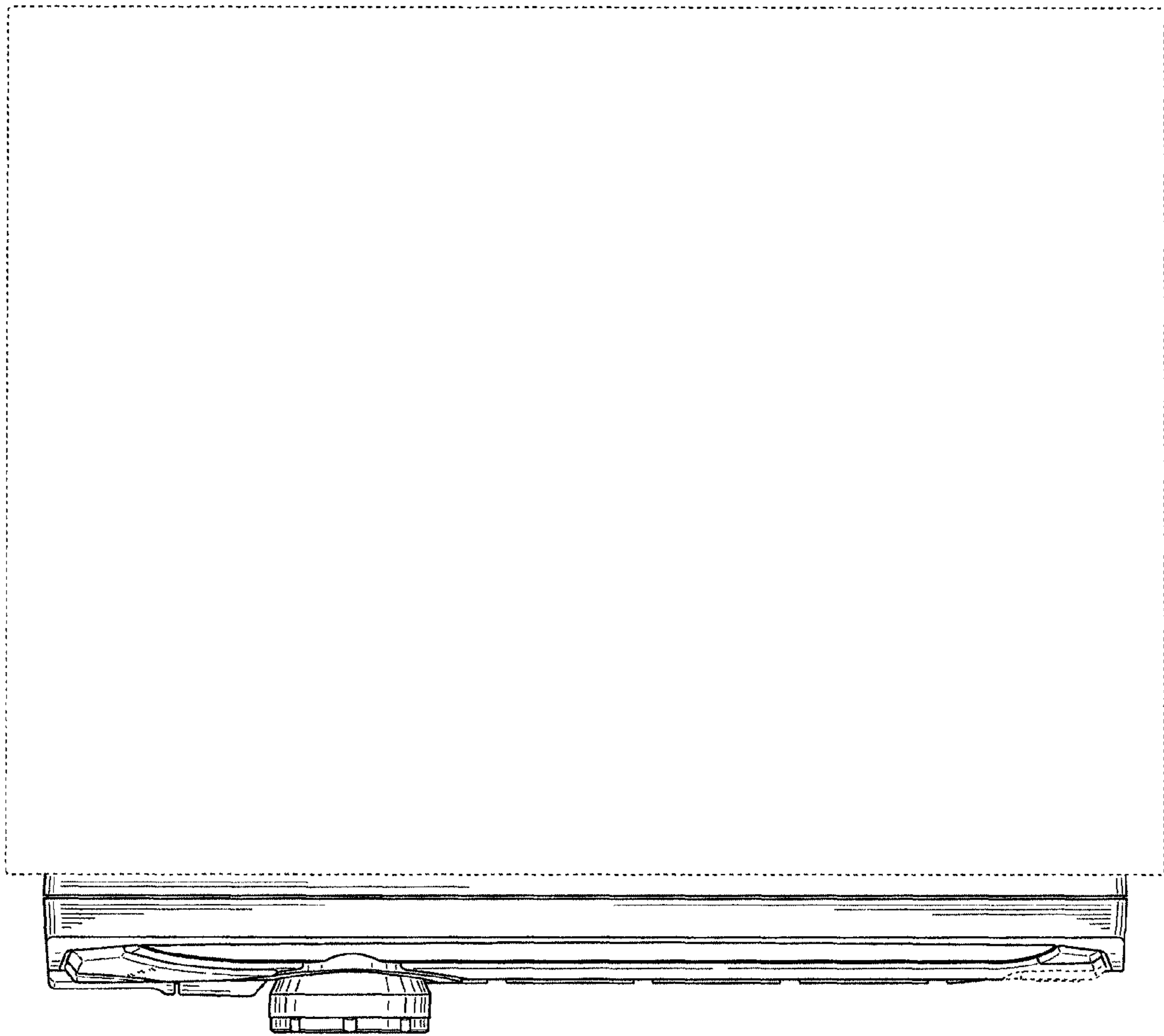


FIG. 6

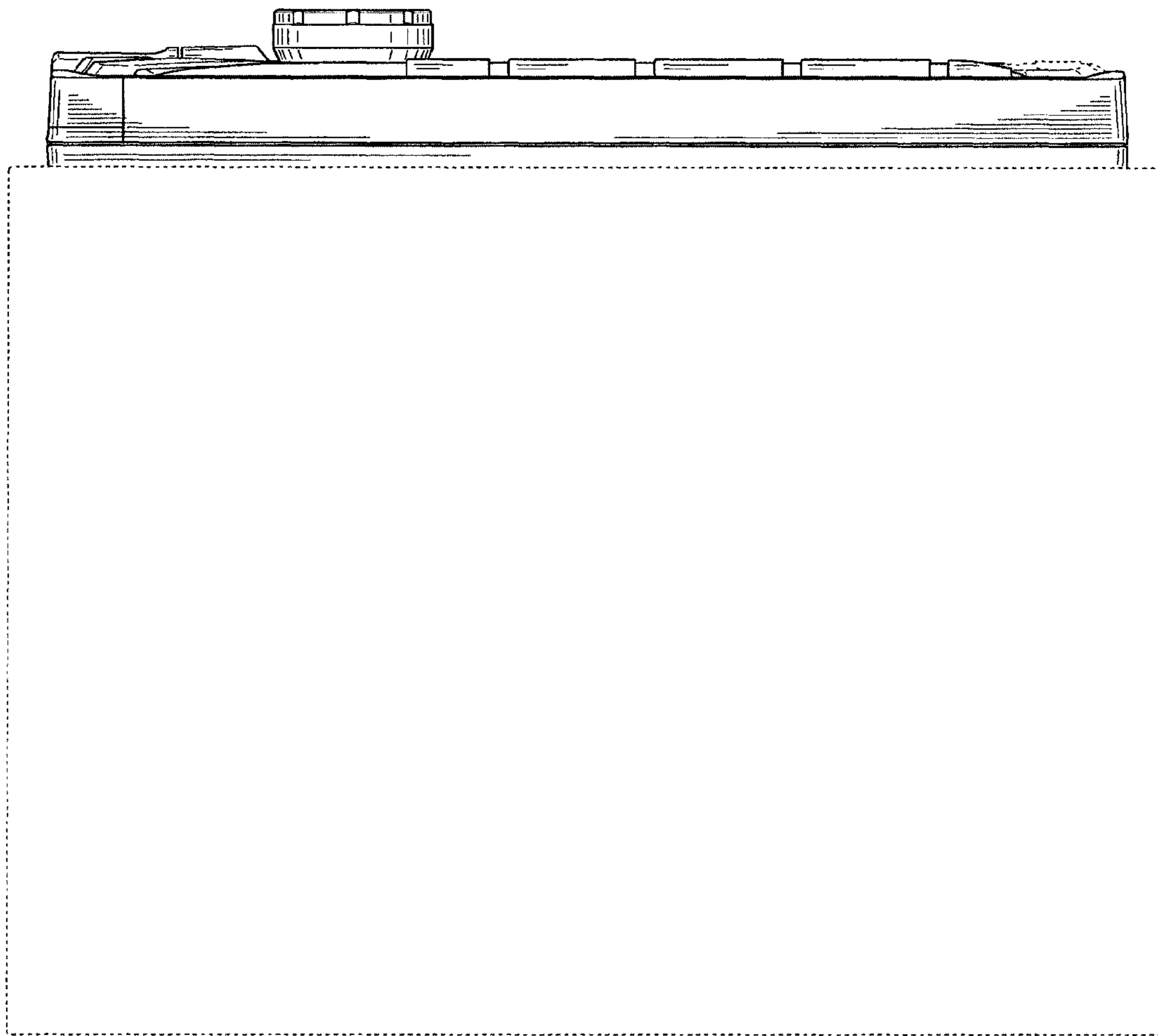


FIG. 7