



US00D671899S

(12) **United States Design Patent**
Verhoeven et al.

(10) **Patent No.:** **US D671,899 S**
(45) **Date of Patent:** **** Dec. 4, 2012**

(54) **CONNECTOR HOUSING**

(75) Inventors: **Jarno Verhoeven**, Rosmalen (NL);
Jacco Elenbaas, Heyningen (NL)

(73) Assignee: **Tyco Electronics Nederland BV**,
S-Hertogenbosch (NL)

(**) Term: **14 Years**

(21) Appl. No.: **29/396,318**

(22) Filed: **Jun. 28, 2011**

(30) **Foreign Application Priority Data**

May 10, 2011 (DE) 20 2011 050 094

(51) **LOC (9) Cl.** **13-03**

(52) **U.S. Cl.** **D13/156**

(58) **Field of Classification Search** D13/156,
D13/133, 154, 155, 184, 199; D8/349, 382,
D8/499; 439/252, 314, 315, 372, 374, 378,
439/533, 668, 675, 750, 889, 892, 894
See application file for complete search history.

(56) **References Cited**

U.S. PATENT DOCUMENTS

D405,056 S *	2/1999	Lee	D13/154
D405,057 S *	2/1999	Martin et al.	D13/154
D412,885 S *	8/1999	Toly	D13/154
D437,294 S *	2/2001	Amin	D13/156
D461,448 S *	8/2002	Amin	D13/133

D473,194 S *	4/2003	Lee	D13/154
D589,458 S *	3/2009	Keeven et al.	D13/156
D590,701 S *	4/2009	Hockman et al.	D8/382
D614,584 S *	4/2010	Neitzel et al.	D13/156
D626,091 S *	10/2010	Neitzel et al.	D13/156

* cited by examiner

Primary Examiner — Derrick Holland

(74) *Attorney, Agent, or Firm* — Faegre Baker Daniels LLP

(57) **CLAIM**

The ornamental design for a connector housing, as shown and described.

DESCRIPTION

We further expressly incorporate by reference the specification and drawings of related application U.S. patent application Ser. No. 13/171,288, filed Jun. 28, 2011, entitled "End Fitting for a Cable With Sealing Protrusion and Enclosure Assembly With End Fitting," the disclosure of which is expressly incorporated by reference herein.

FIG. 1 is a top and left side perspective view of a connector housing showing our new design in environmental use;

FIG. 2 is another top and left side perspective view thereof;

FIG. 3 is a bottom and left side perspective view thereof;

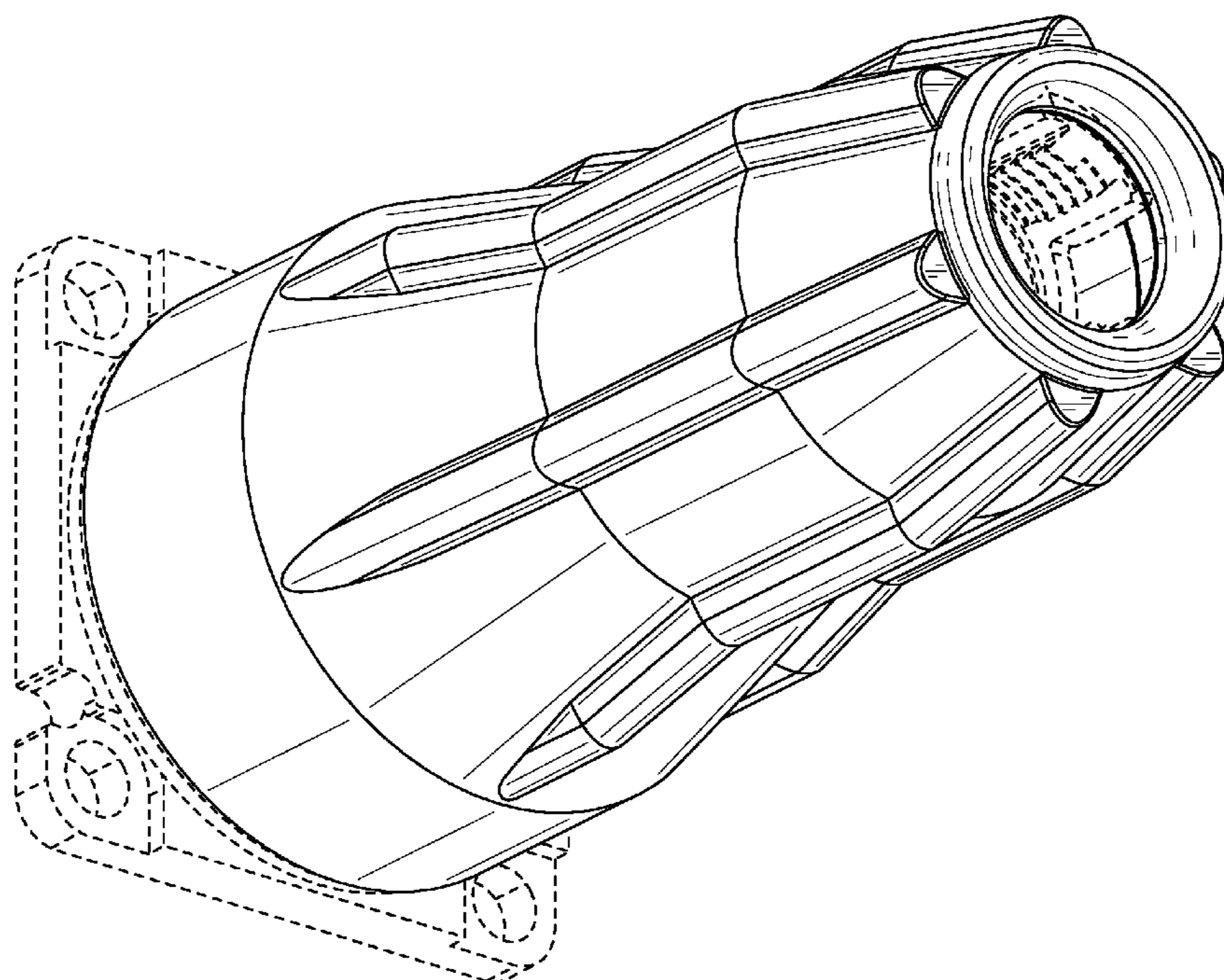
FIG. 4 is a bottom and right side perspective view thereof;

FIG. 5 is a top plan view thereof; and,

FIG. 6 is a side elevation view thereof.

The broken lines shown represent unclaimed subject matter and form no part of the claimed design.

1 Claim, 6 Drawing Sheets



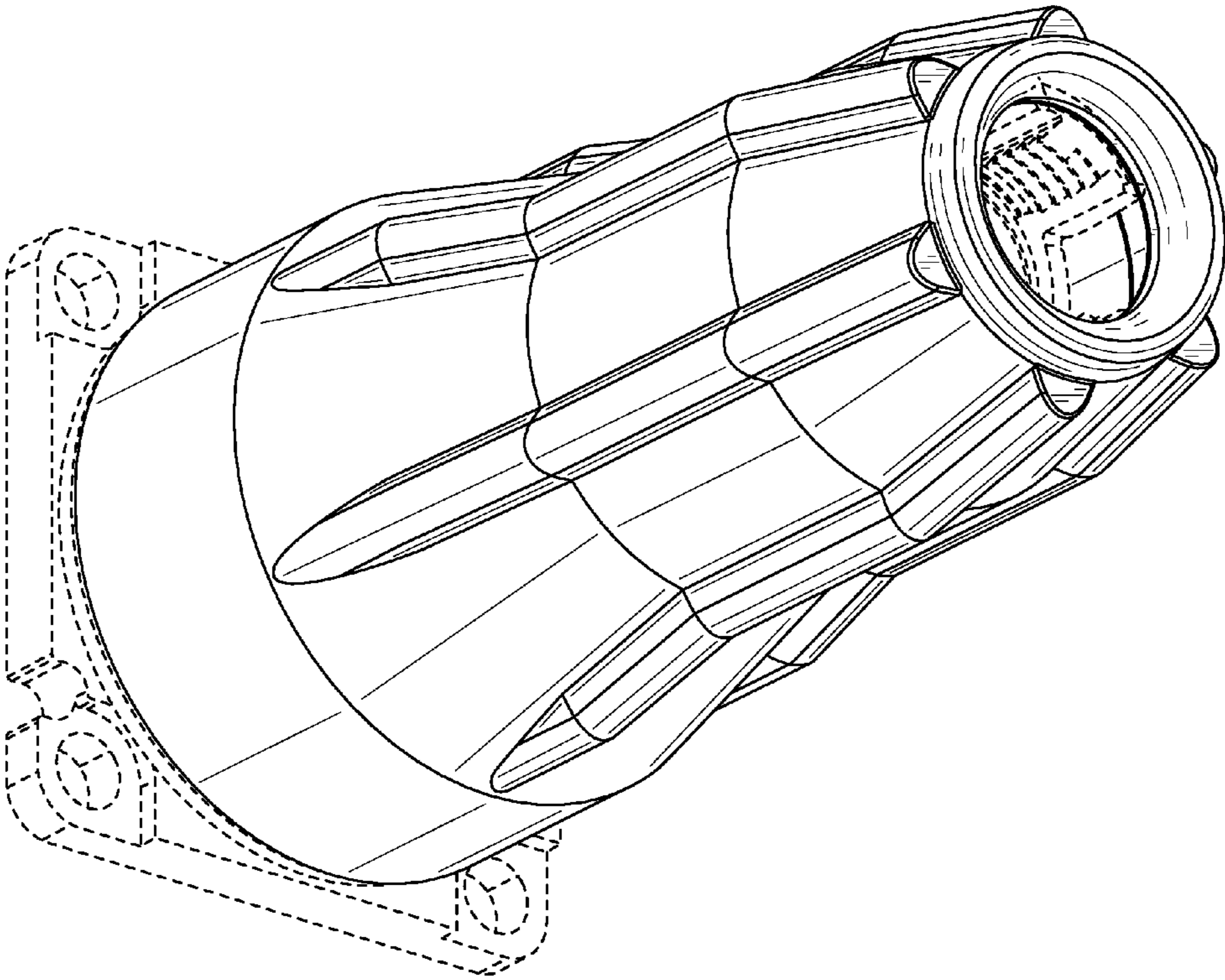


FIG. 1

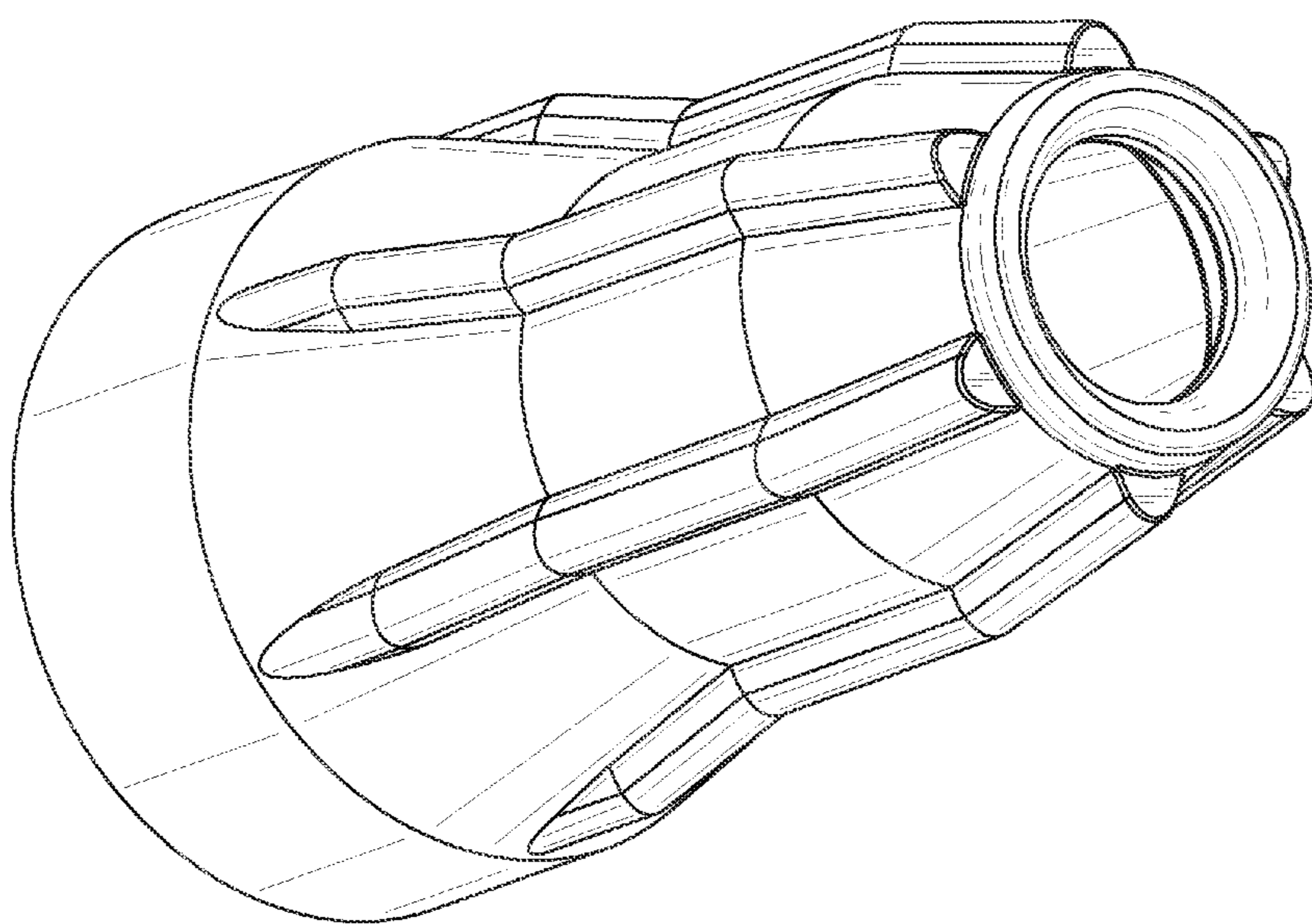


FIG. 2

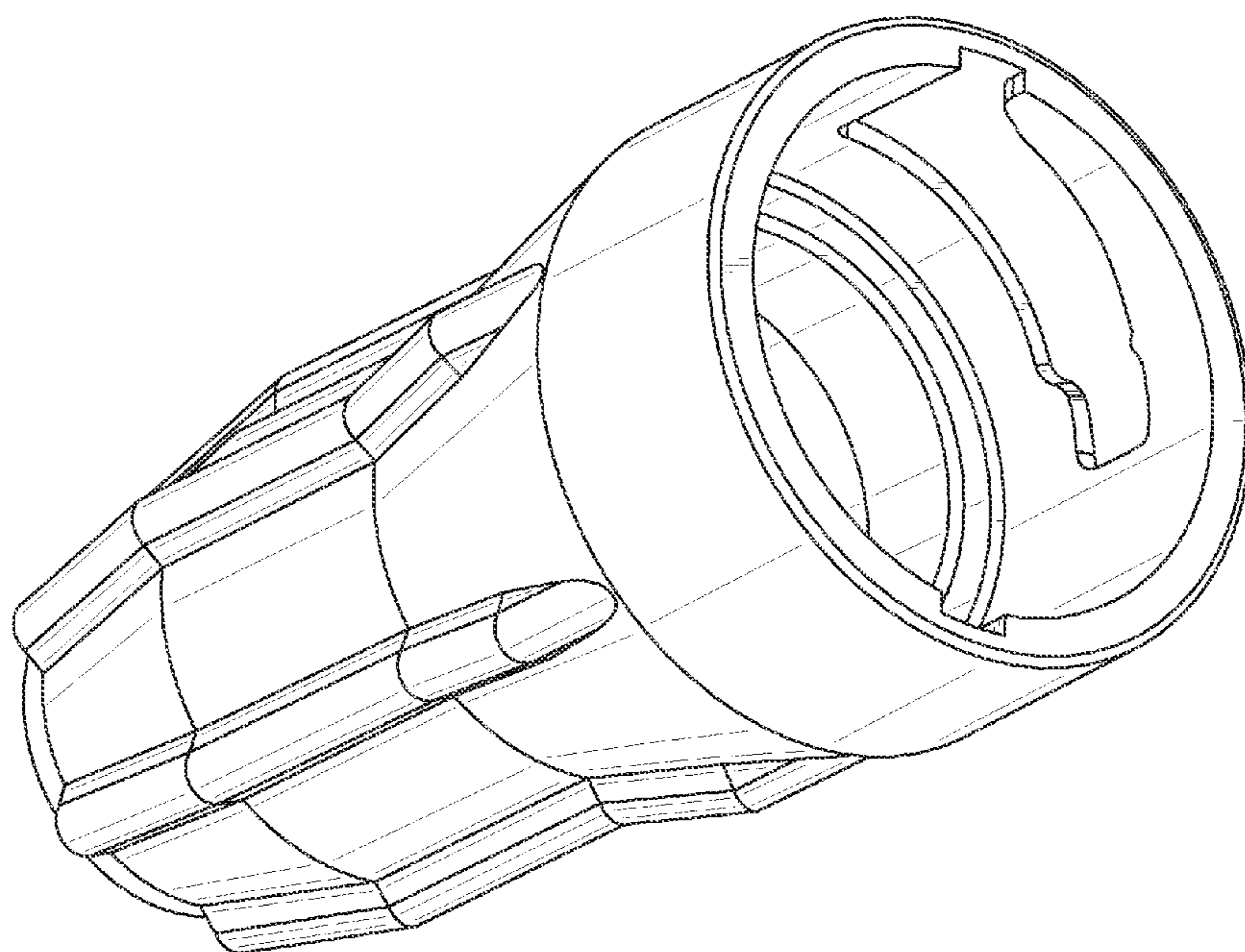


FIG. 3

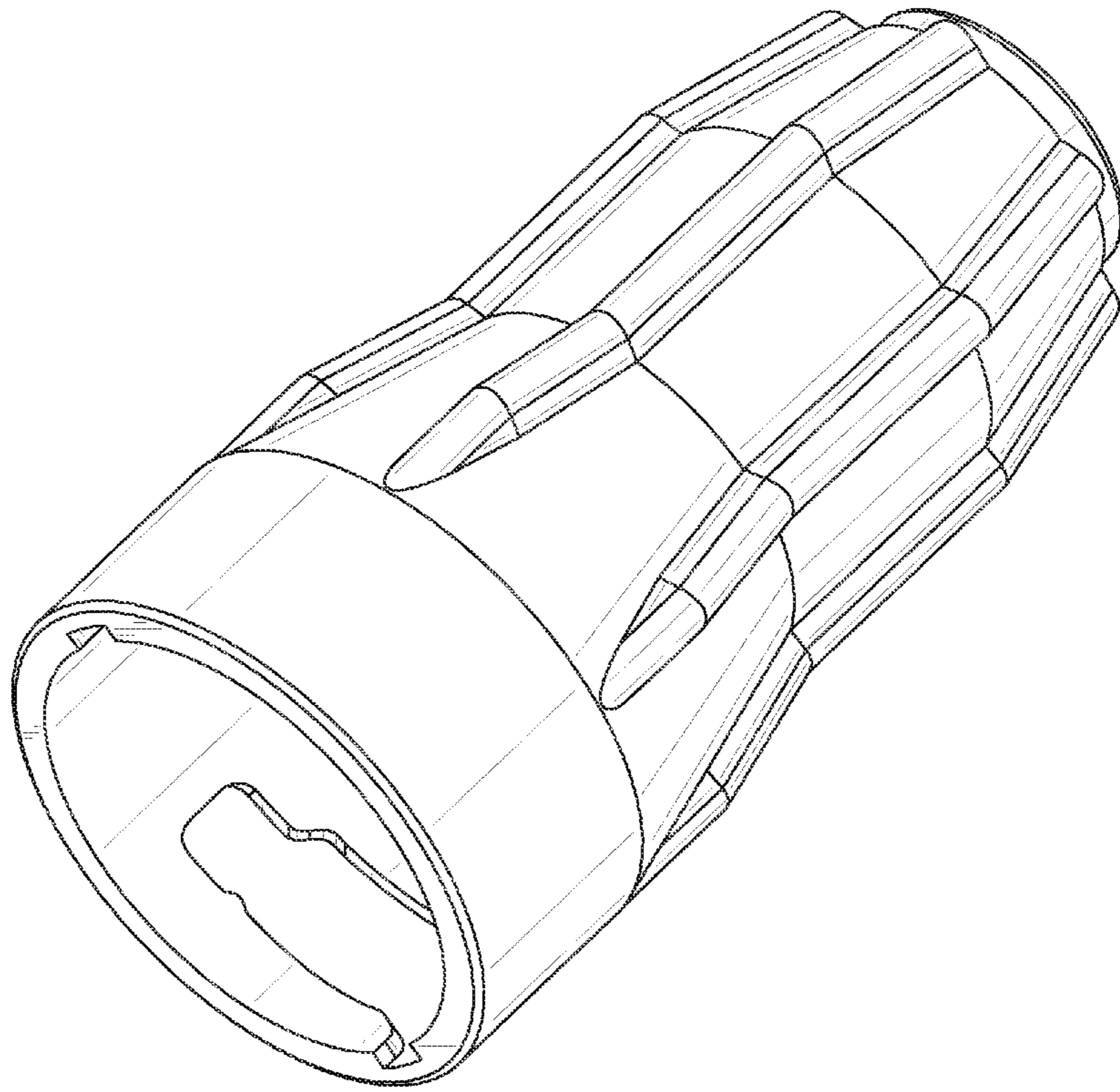


FIG. 4

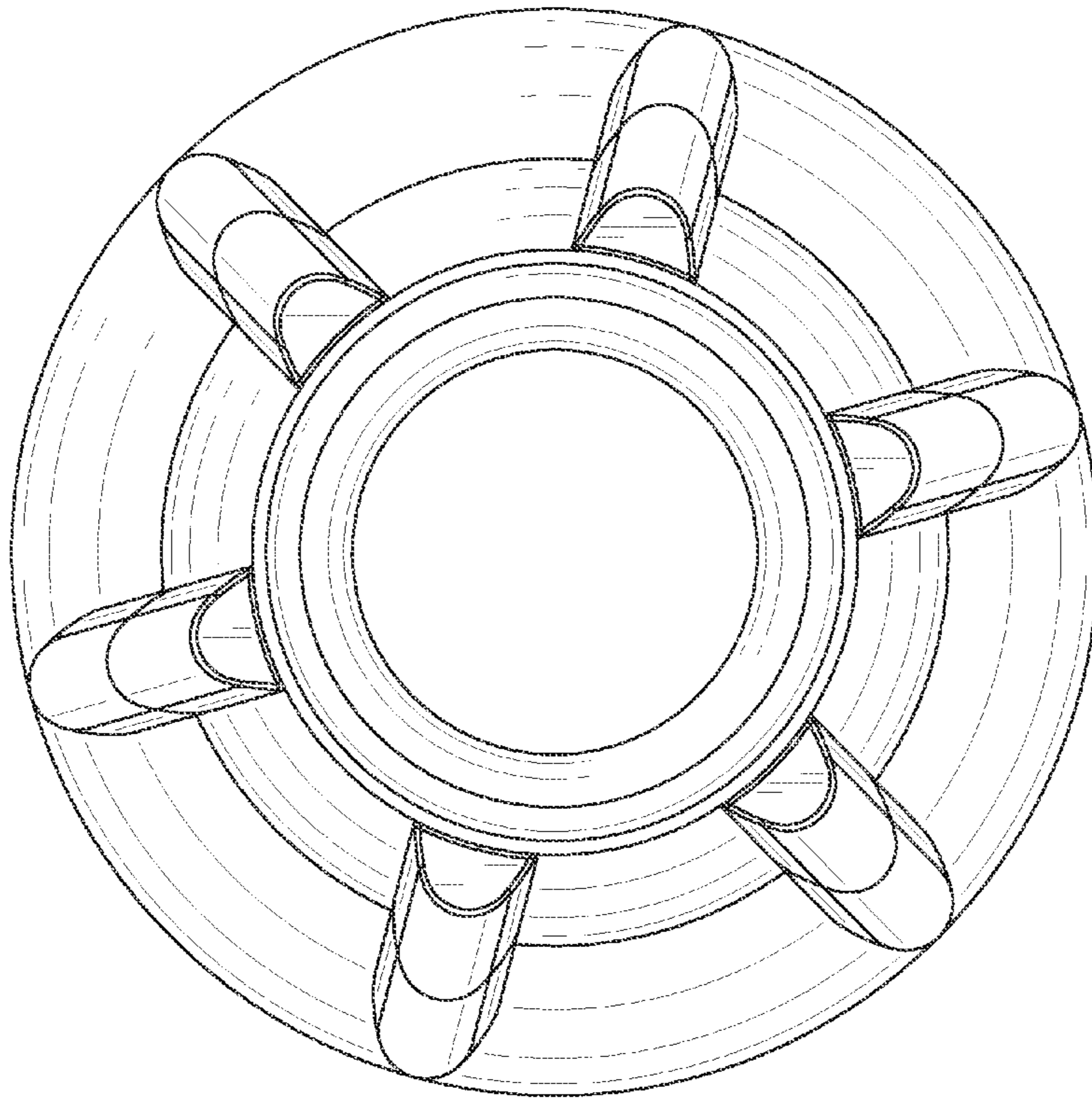


FIG. 5

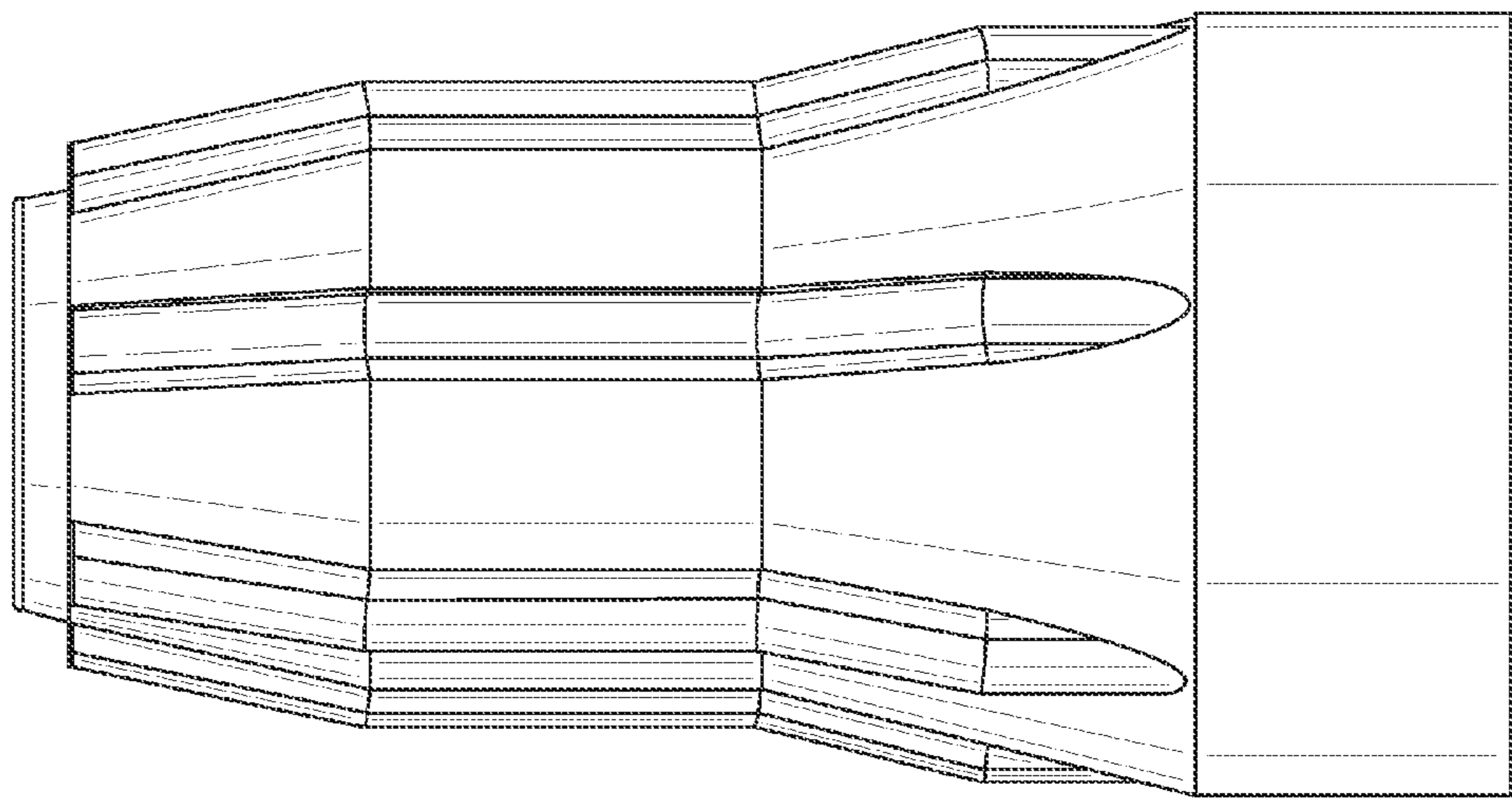


FIG. 6