



US00D671898S

(12) **United States Design Patent**
Andre et al.

(10) **Patent No.:** **US D671,898 S**
(45) **Date of Patent:** **** Dec. 4, 2012**

(54) **CONNECTOR**

(56) **References Cited**

(75) Inventors: **Bartley K. Andre**, Menlo Park, CA (US); **Daniel J. Coster**, San Francisco, CA (US); **Daniele De Iuliis**, San Francisco, CA (US); **Evans Hankey**, San Francisco, CA (US); **Richard P. Howarth**, San Francisco, CA (US); **Jonathan P. Ive**, San Francisco, CA (US); **Duncan Robert Kerr**, San Francisco, CA (US); **Shin Nishibori**, Portola Valley, CA (US); **Matthew Dean Rohrbach**, San Francisco, CA (US); **Peter Russell-Clarke**, San Francisco, CA (US); **Douglas B. Satzger**, Menlo Park, CA (US); **Christopher J. Stringer**, Woodside, CA (US); **Eugene Antony Whang**, San Francisco, CA (US); **Rico Zorkendorfer**, San Francisco, CA (US)

U.S. PATENT DOCUMENTS

D349,099	S	7/1994	Robertson, Jr. et al.
D415,111	S	10/1999	Lee
D447,121	S	8/2001	Yim
D514,524	S	2/2006	Suckle
D550,158	S	9/2007	Victor
D553,092	S	10/2007	Arai et al.
7,540,773	B2	6/2009	Ko
D607,831	S	1/2010	Andre et al.
D618,178	S	6/2010	Andre et al.
D620,450	S	7/2010	Andre et al.
2007/0072442	A1	3/2007	DiFonzo et al.
2007/0072443	A1	3/2007	Rohrbach et al.

OTHER PUBLICATIONS

Apple Inc., MacBook Pro, www.apple.com, available as early as Jan. 14, 2006.
U.S. Appl. No. 29/362,038, filed May 19, 2010, entitled "Connector".
U.S. Appl. No. 29/345,272, filed Oct. 13, 2009, entitled "Magnetic Connector".

Primary Examiner — Daniel Bui

(74) *Attorney, Agent, or Firm* — SAIDMAN DesignLaw Group

(73) Assignee: **Apple Inc.**, Cupertino, CA (US)

(**) Term: **14 Years**

(21) Appl. No.: **29/378,752**

(22) Filed: **Nov. 9, 2010**

(57) **CLAIM**

The ornamental design for a connector, as shown and described.

DESCRIPTION

FIG. 1 is a top, front perspective view of a connector showing our new design;
FIG. 2 is a bottom, front perspective view thereof;
FIG. 3 is a front view thereof;
FIG. 4 is a rear view thereof;
FIG. 5 is a left side view thereof;
FIG. 6 is a right side view thereof;
FIG. 7 is a top view thereof; and,
FIG. 8 is a bottom view thereof.
The broken lines illustrate environmental structure and form no part of the claimed design.

Related U.S. Application Data

(60) Continuation of application No. 29/362,038, filed on May 19, 2010, now Pat. No. Des. 632,261, which is a division of application No. 29/294,334, filed on Jan. 4, 2008, now Pat. No. Des. 607,831.

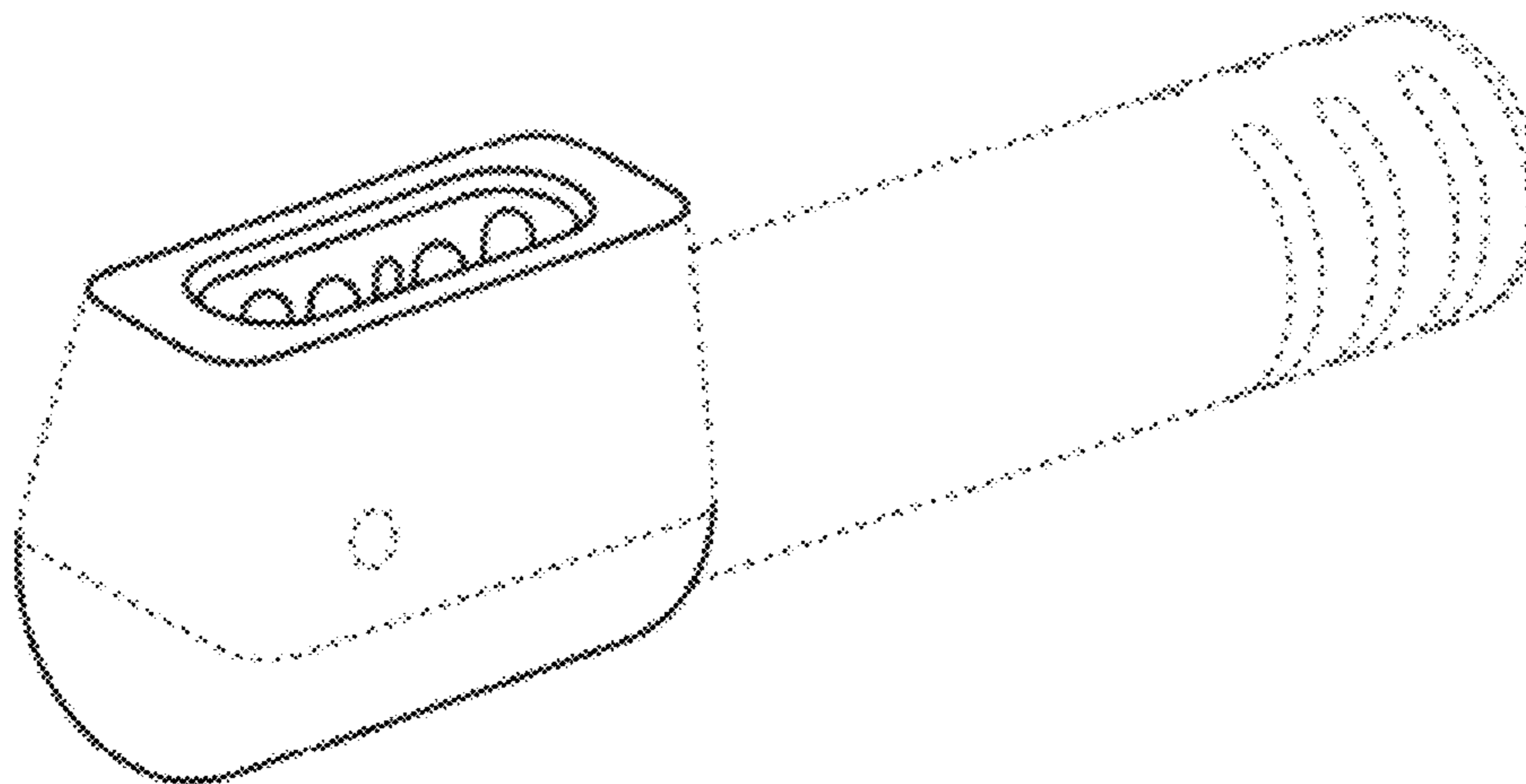
(51) **LOC (9) Cl.** **13-03**

(52) **U.S. Cl.** **D13/154; D13/147**

(58) **Field of Classification Search** D13/133, D13/147, 154, 184; 439/350, 352, 607.01, 439/607.04, 607.05, 607.17, 607.25, 607.34, 439/607.41, 607.53, 660, 680

See application file for complete search history.

1 Claim, 4 Drawing Sheets



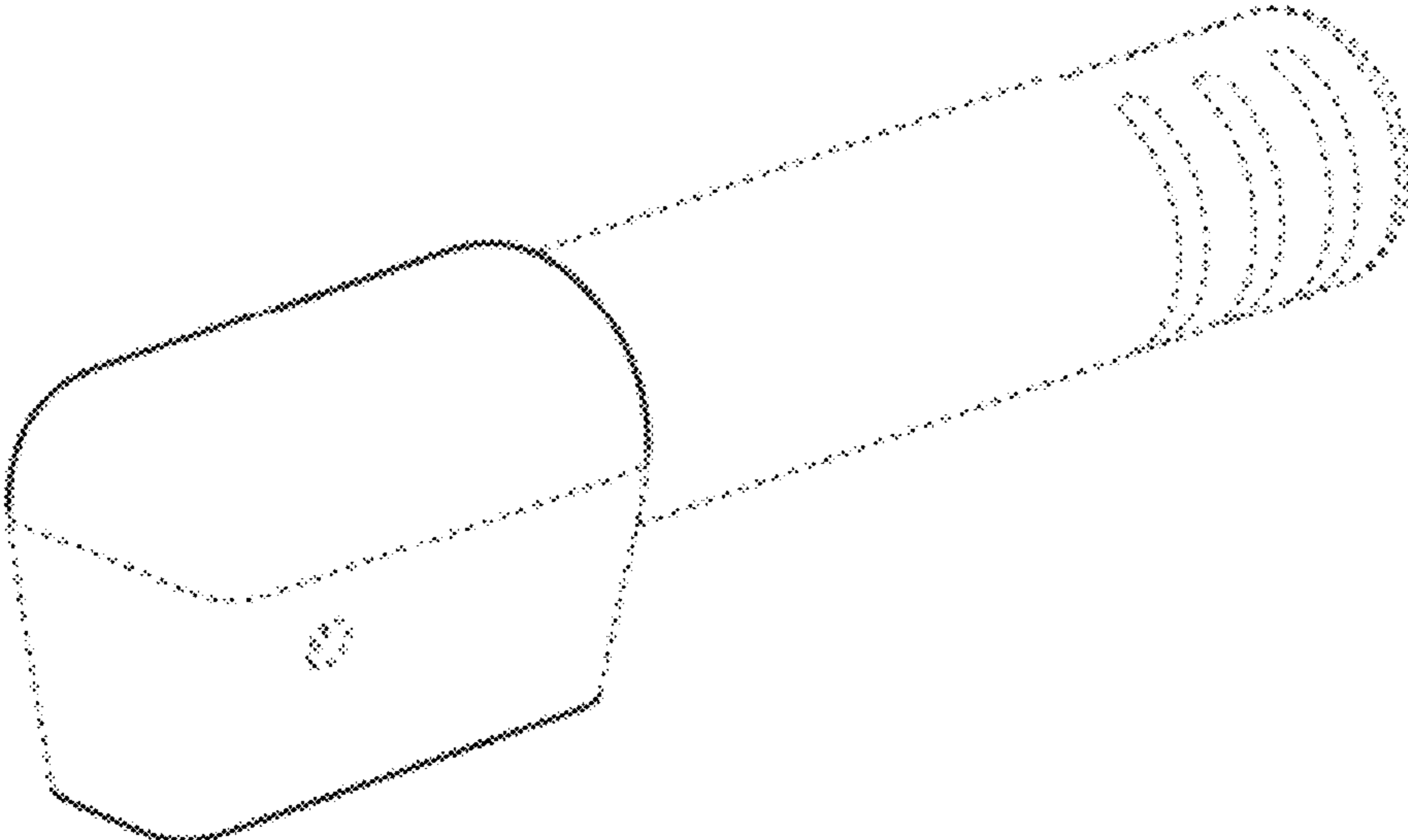


Fig. 1

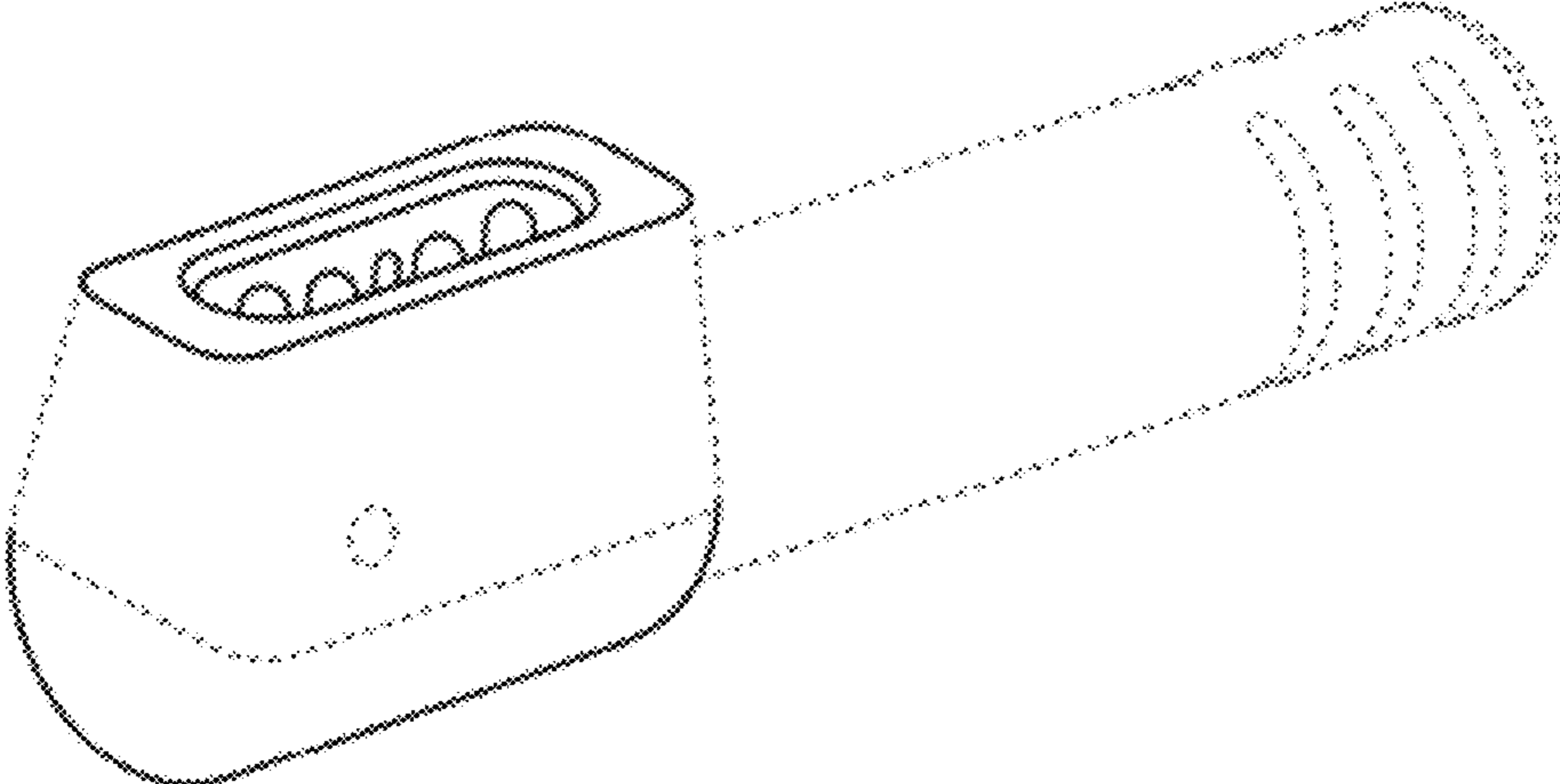


Fig. 2

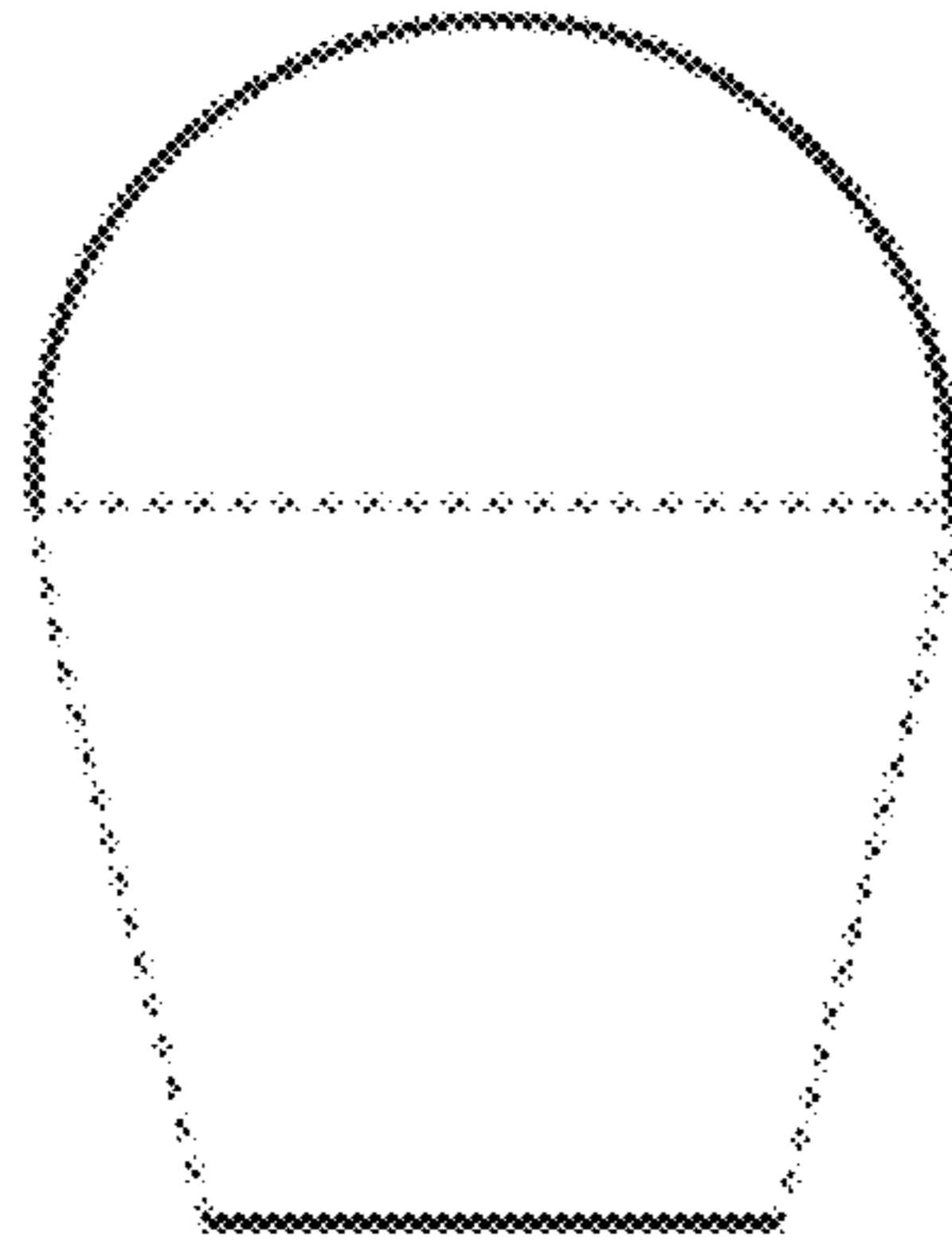


Fig. 3

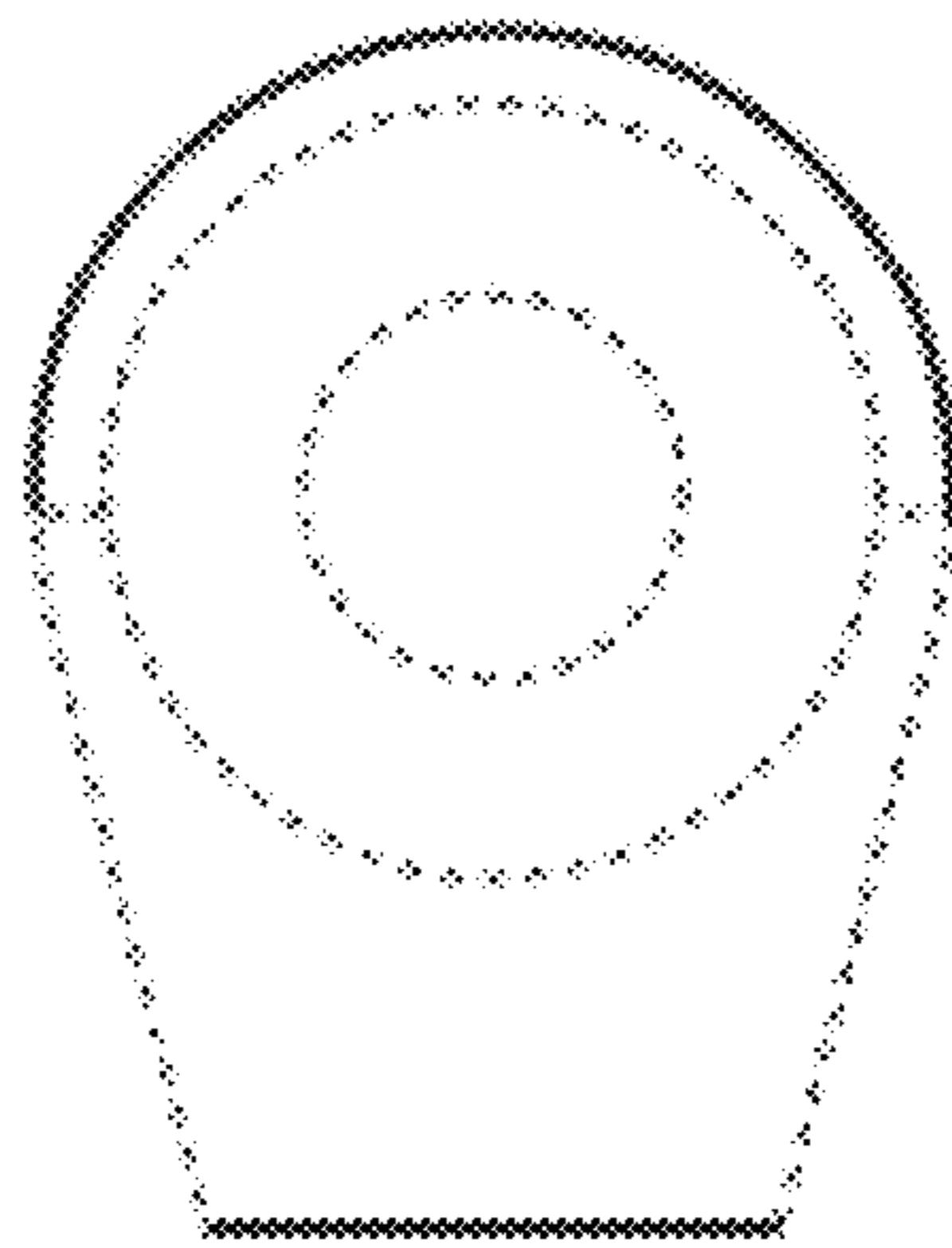


Fig. 4

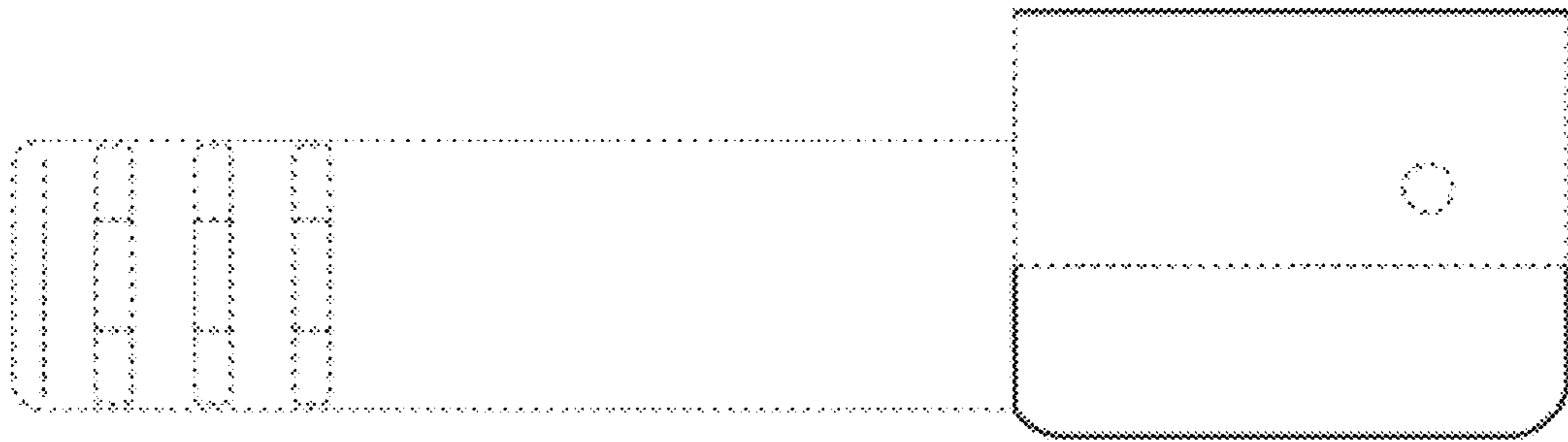


Fig. 5



Fig. 6



Fig. 7

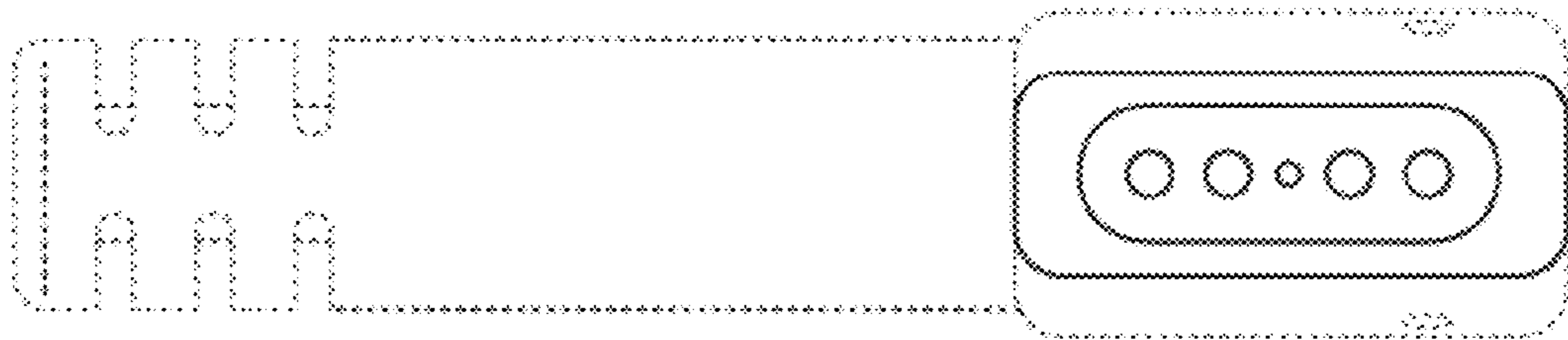


Fig. 8