



US00D671897S

(12) **United States Design Patent**
Kettern et al.

(10) **Patent No.:** **US D671,897 S**

(45) **Date of Patent:** **** Dec. 4, 2012**

(54) **ELECTRICAL CONNECTOR WITH A LOCK AND RELEASE AID**

D637,965 S * 5/2011 Canning D13/154
D637,971 S * 5/2011 Canning D13/154
D637,973 S * 5/2011 Canning D13/154
D637,975 S * 5/2011 Canning D13/154

(75) Inventors: **Markus Kettern**, Lemgo (DE);
Alexander Bender, Lemgo (DE)

OTHER PUBLICATIONS

(73) Assignee: **Phoenix Contact GmbH & Co. KG**,
Blomberg (DE)

Copending U.S. Appl. No. 29/402,399, filed Sep. 23, 2011, entitled
“Lock and Release Aid for an Electrical Connector”.
Copending U.S. Appl. No. 29/402,417, filed Sep. 23, 2011, entitled
“Lock and Release Aid for an Electrical Connector”.
Copending U.S. Appl. No. 29/402,418, filed Sep. 23, 2011, entitled
“Electrical Connector with a Lock and Release Aid”.

(**) Term: **14 Years**

* cited by examiner

(21) Appl. No.: **29/402,420**

(22) Filed: **Sep. 23, 2011**

Primary Examiner — Thomas Johannes

(30) **Foreign Application Priority Data**

(74) *Attorney, Agent, or Firm* — Leydig, Voit & Mayer, Ltd.

Mar. 25, 2011 (EM) 001840968

(51) **LOC (9) Cl.** **13-03**

(57) **CLAIM**

(52) **U.S. Cl.** **D13/149**

The ornamental design for an electrical connector with a lock and release aid, as shown and described.

(58) **Field of Classification Search** D13/133,
D13/146, 147, 149, 151, 153, 154, 184, 199;
439/409, 412, 417, 441, 709, 715, 716, 717,
439/721, 729, 835, 260, 329, 492, 495, 570,
439/68, 73, 135, 331, 526, 862; 361/823
See application file for complete search history.

DESCRIPTION

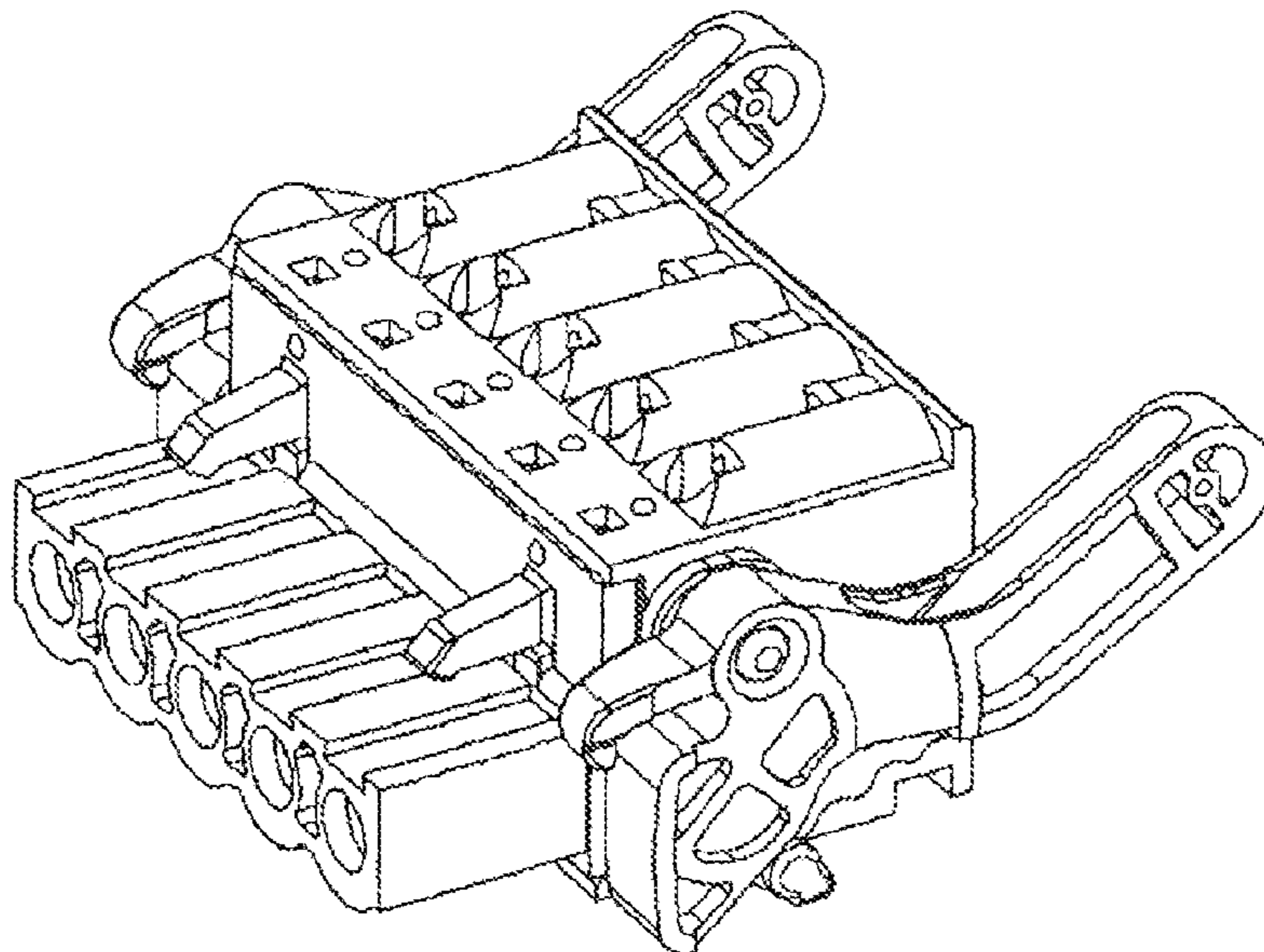
(56) **References Cited**

FIG. 1 is a top, front, and right side perspective view of an electrical connector with a lock and release aid, showing our new design;
FIG. 2 is a front elevation view thereof;
FIG. 3 is a rear elevation view thereof;
FIG. 4 is a left side elevation view thereof;
FIG. 5 is a top plan view thereof;
FIG. 6 is a right side elevation view thereof;
FIG. 7 is a bottom plan view thereof; and,
The broken line portion of the figure drawings is included to show unclaimed subject matter only and forms no part of the claimed design.

U.S. PATENT DOCUMENTS

5,474,461 A * 12/1995 Saito et al. 439/157
D459,702 S * 7/2002 Watanabe D13/147
D500,989 S * 1/2005 Stadler D13/149
D505,921 S * 6/2005 Ma D13/149
D509,476 S * 9/2005 Ma et al. D13/149
D533,509 S * 12/2006 Wu D13/149
D575,230 S * 8/2008 Bishop et al. D13/133
D625,270 S * 10/2010 Schafmeister D13/147

1 Claim, 3 Drawing Sheets



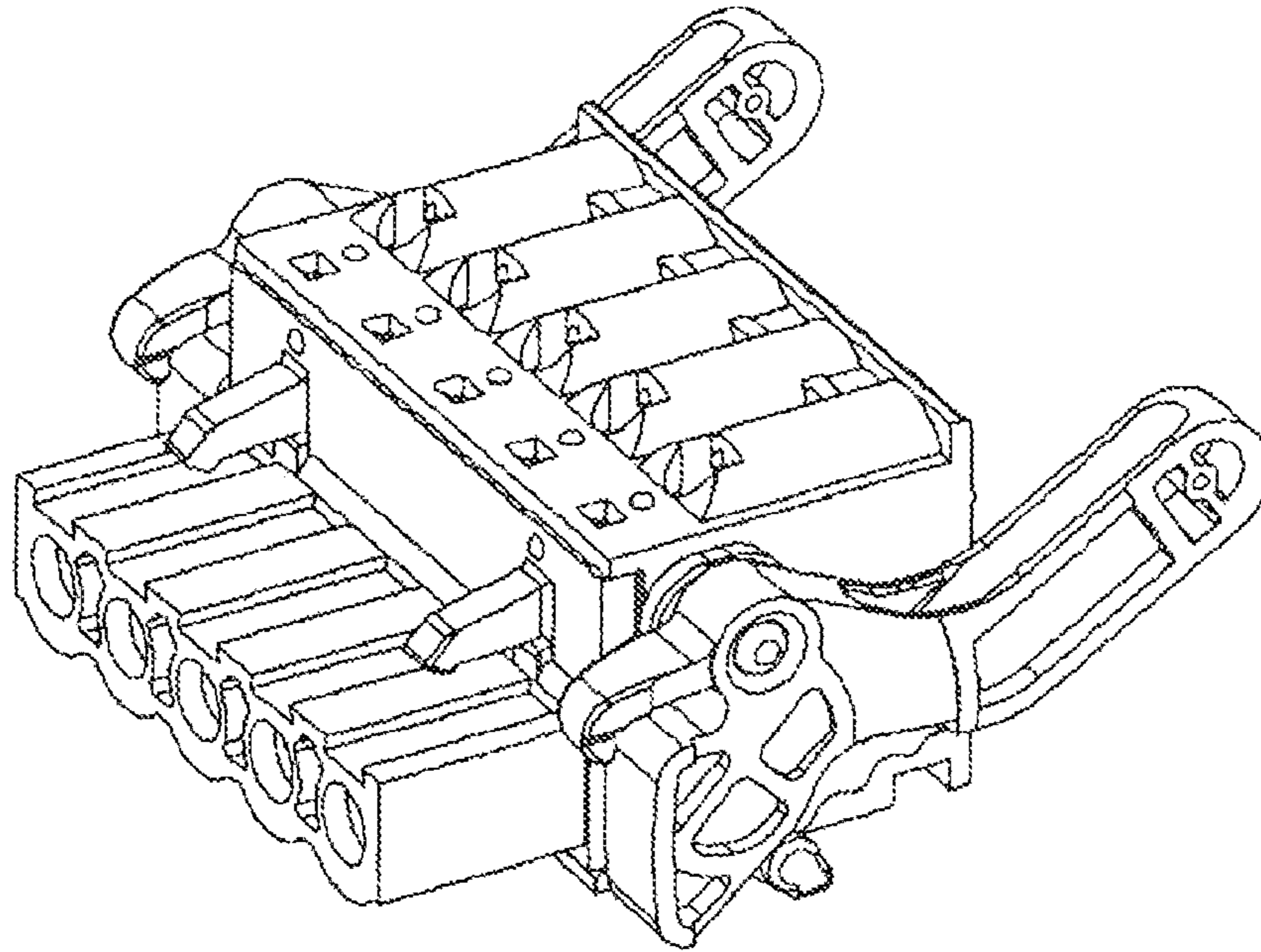


FIG. 1

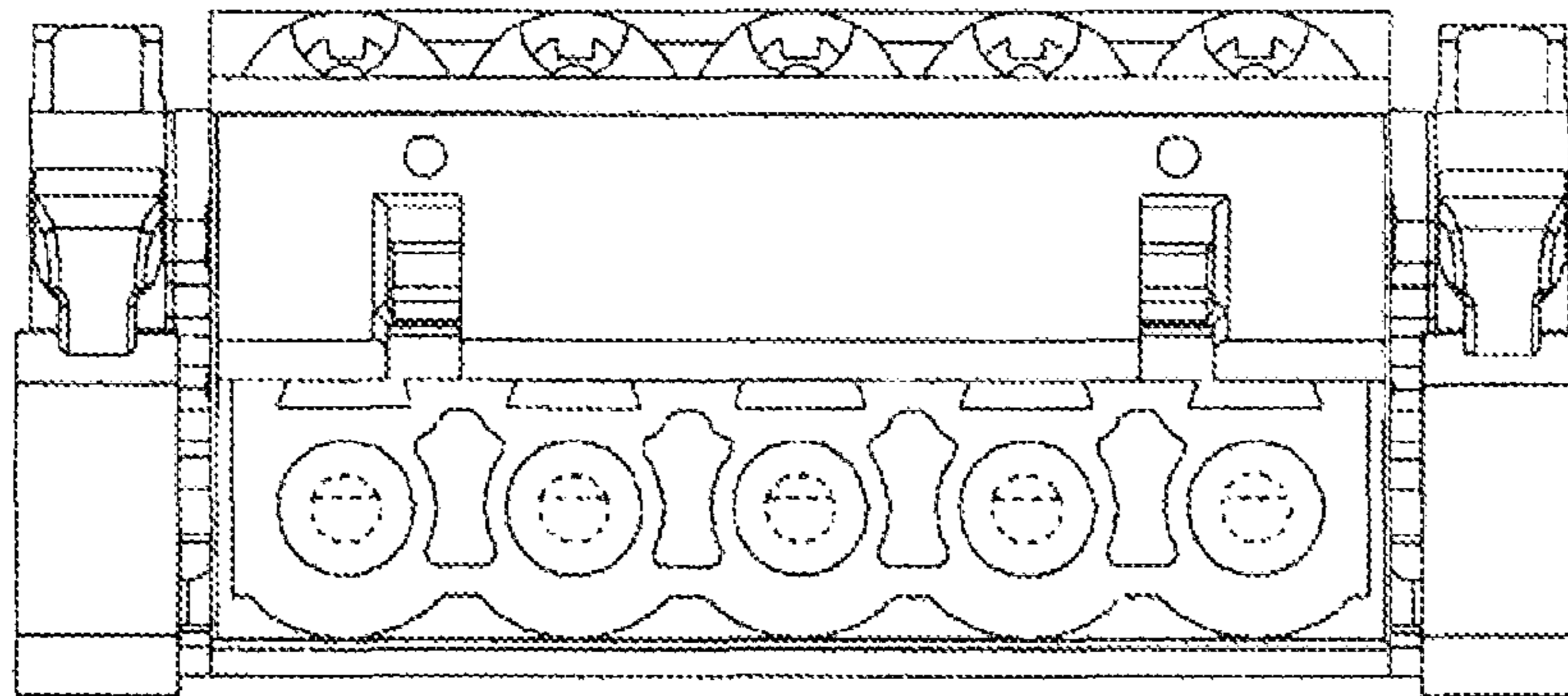


FIG. 2

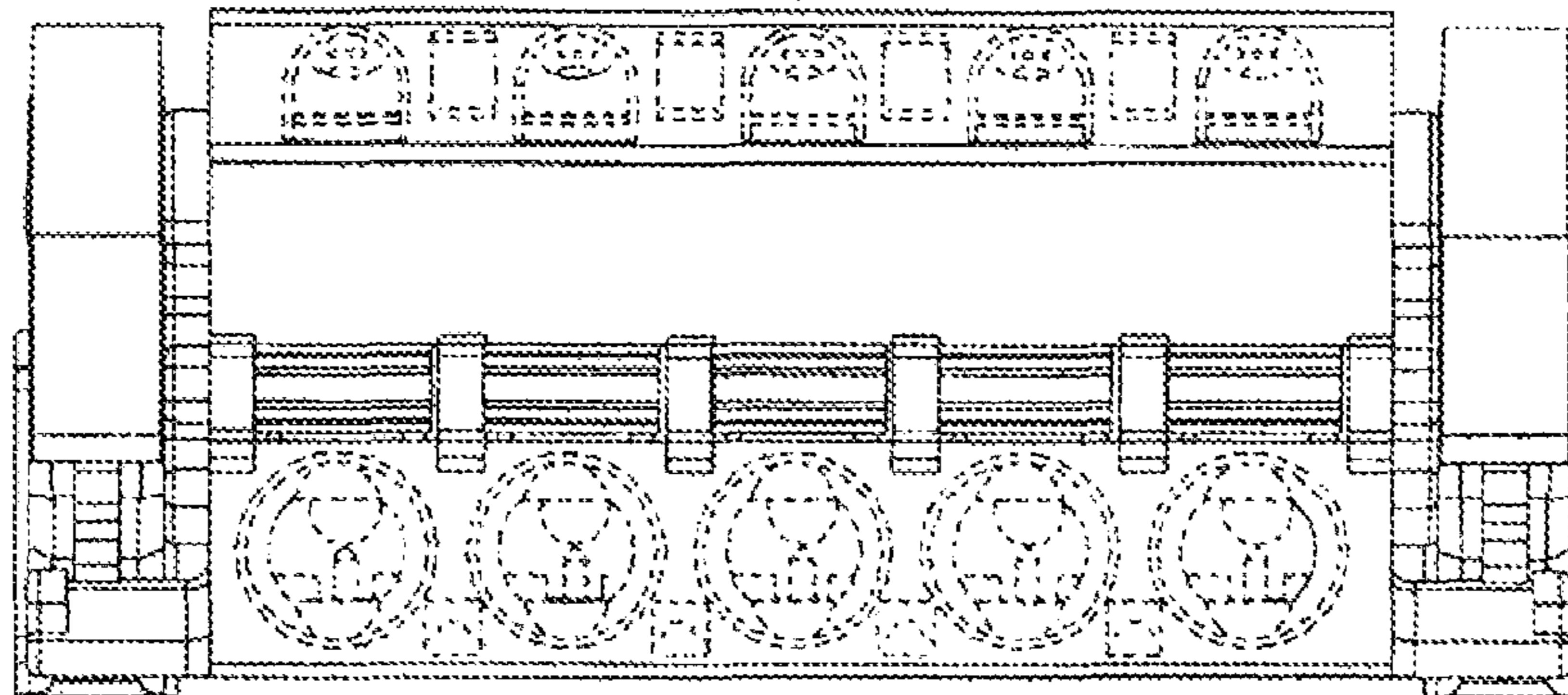


FIG. 3

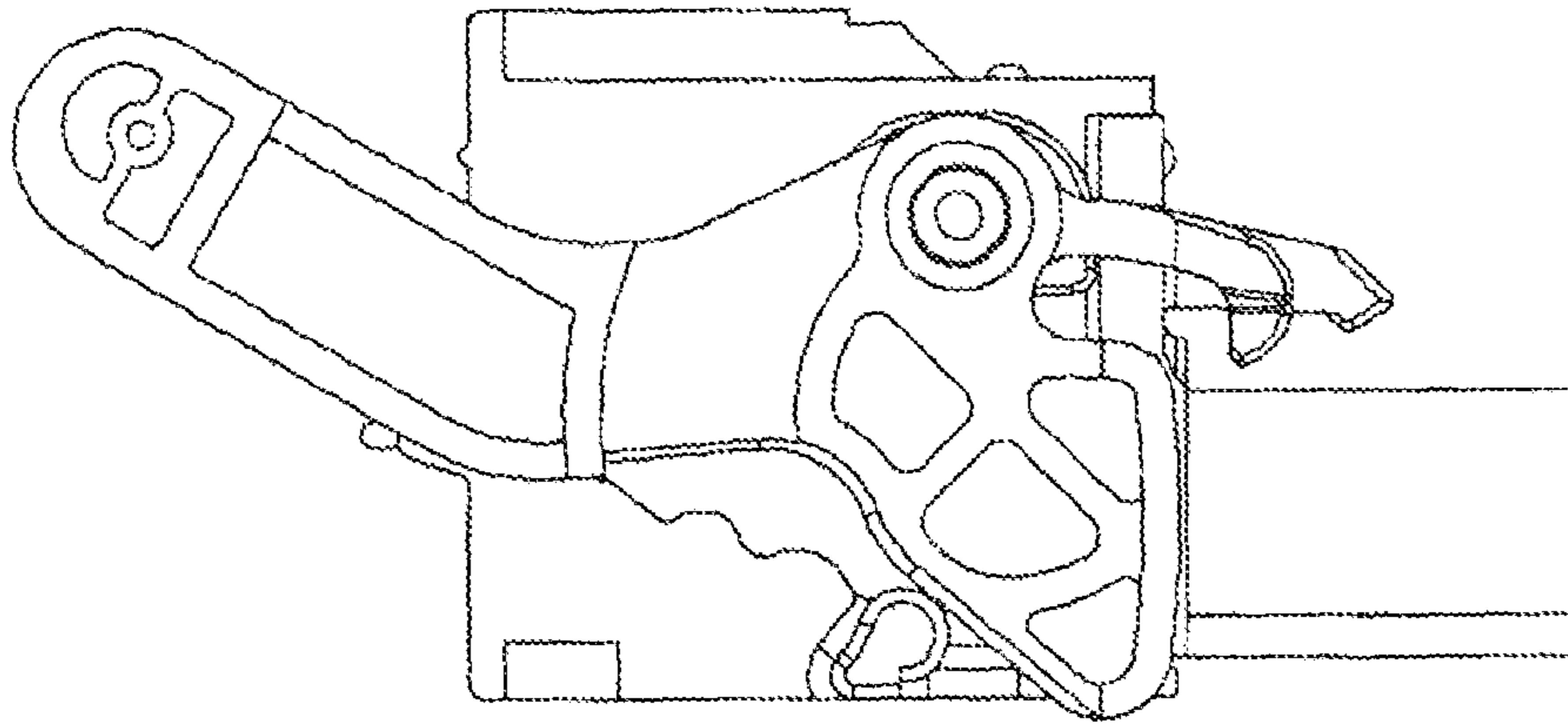


FIG. 4

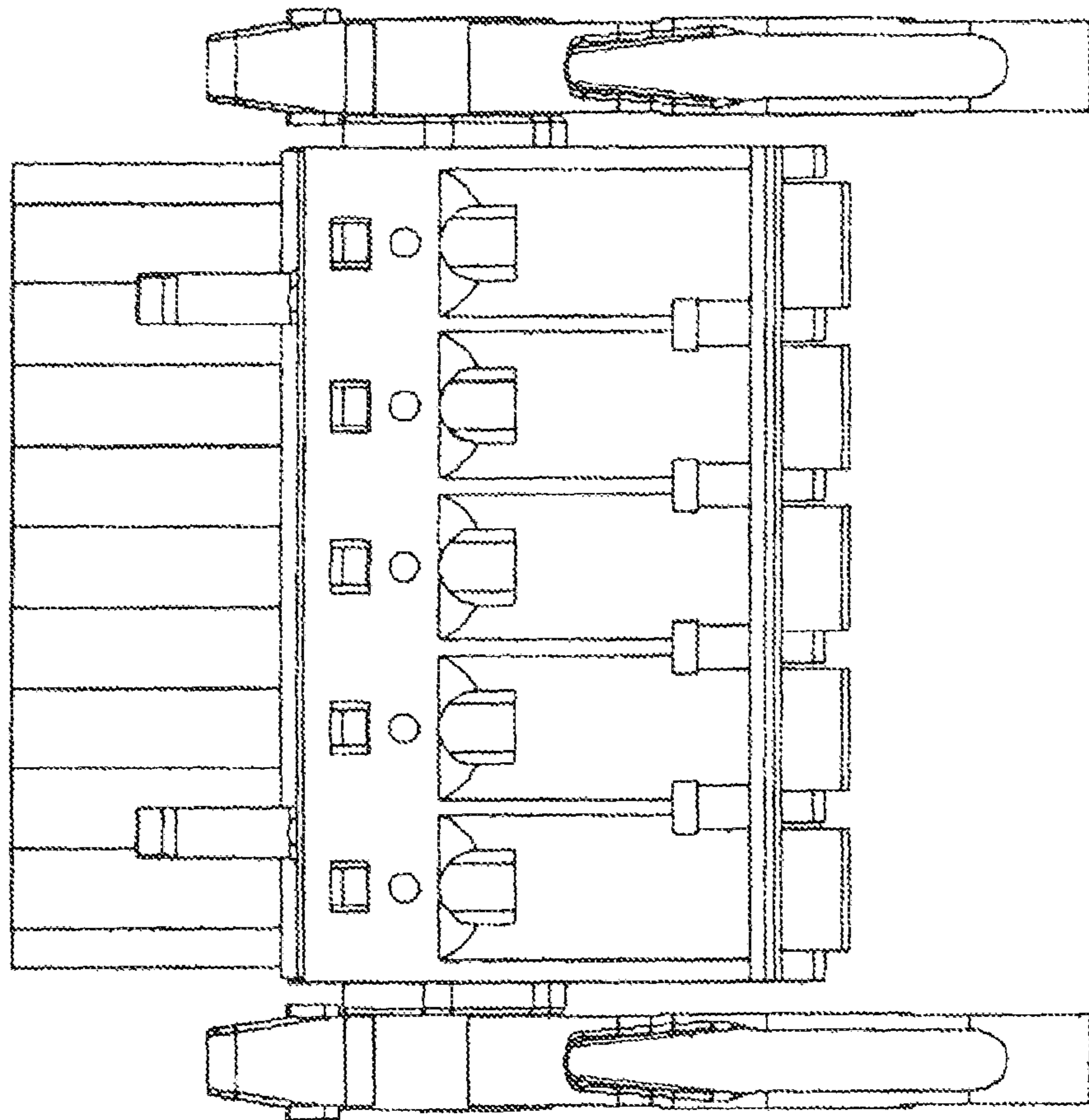


FIG. 5

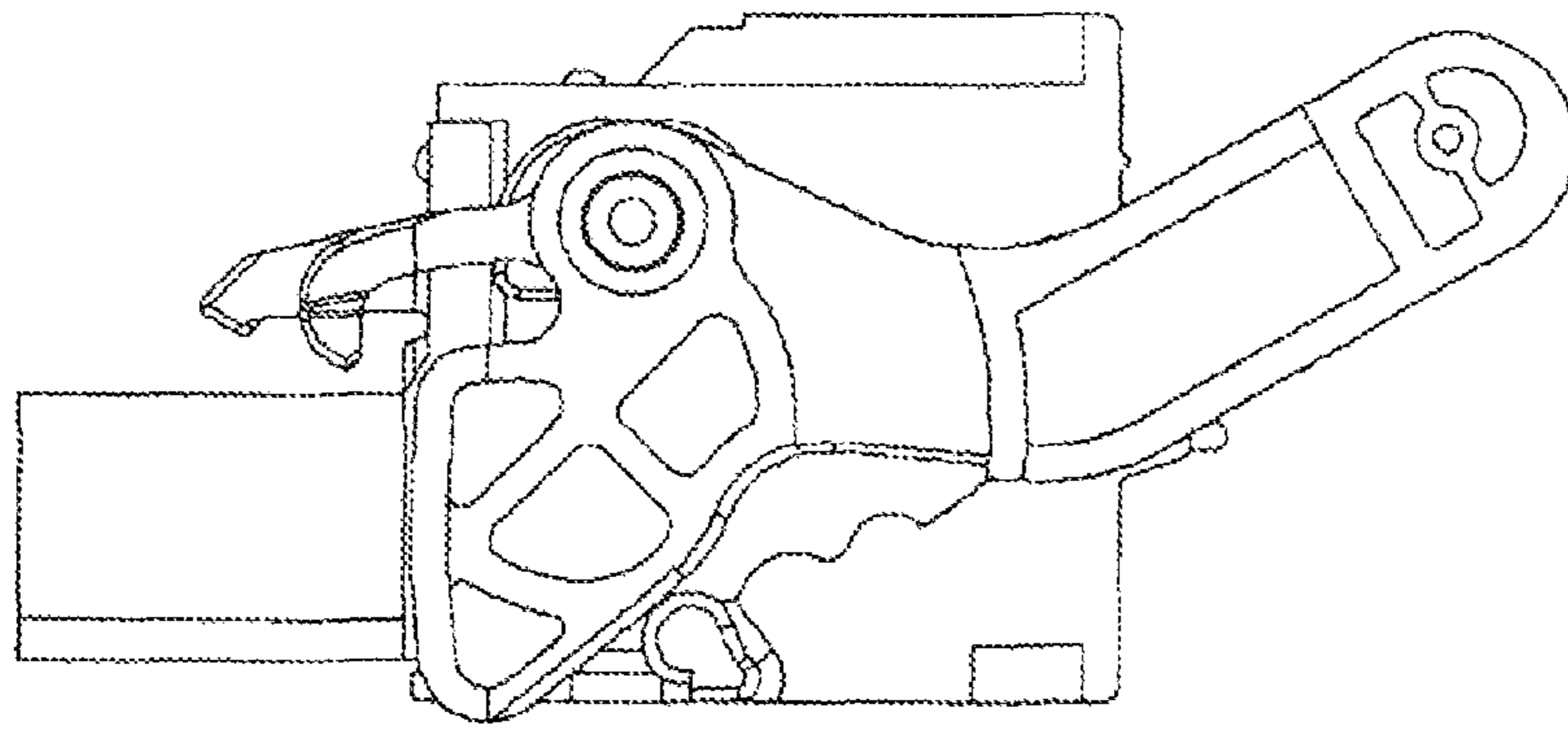


FIG. 6

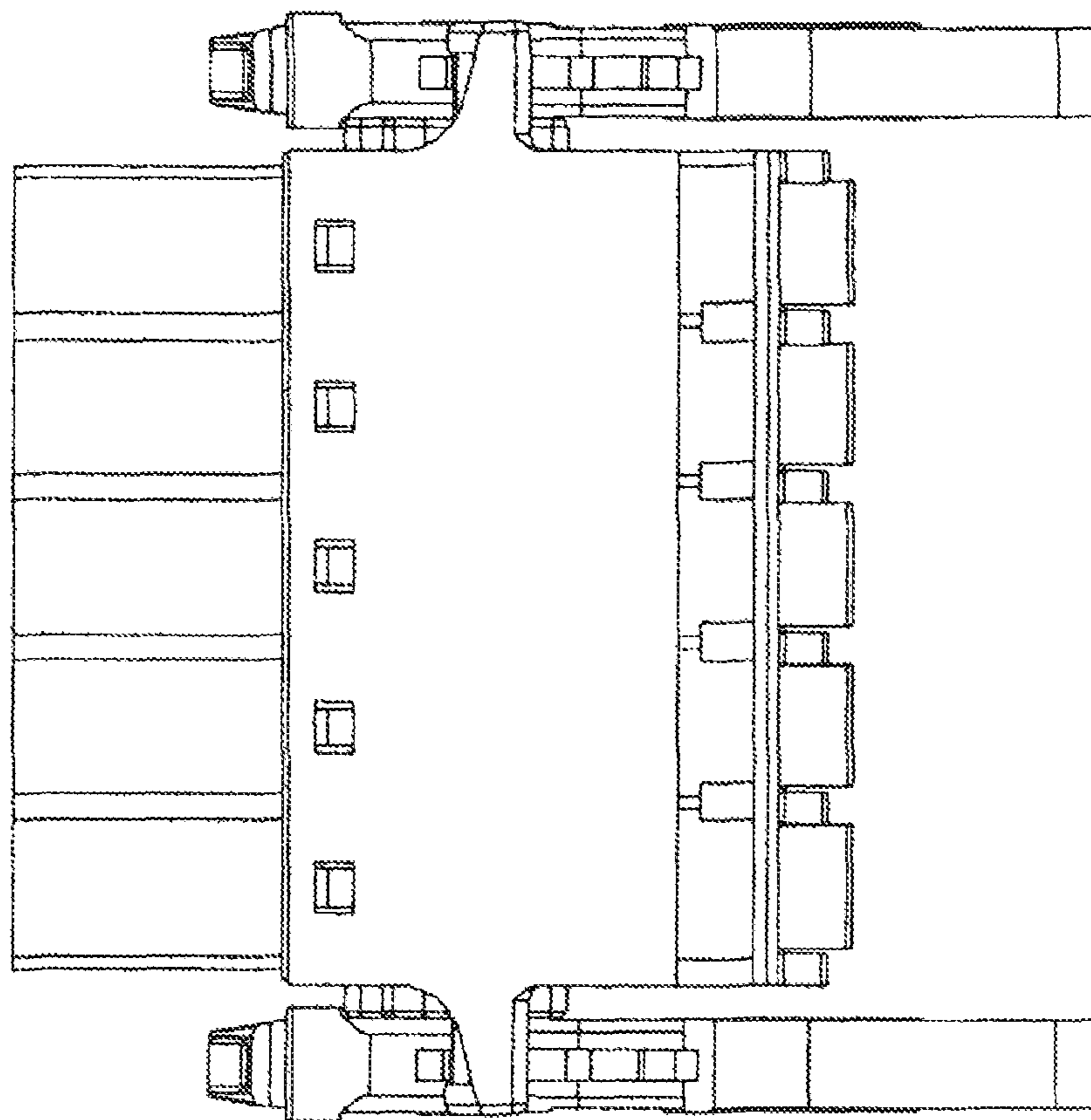


FIG. 7