



US00D671896S

(12) **United States Design Patent**  
**Wang et al.**

(10) **Patent No.:** **US D671,896 S**  
(45) **Date of Patent:** **\*\* Dec. 4, 2012**

(54) **PLUG CONNECTOR**

(75) Inventors: **Yao-Ting Wang**, New Taipei (TW);  
**Yu-Hung Su**, New Taipei (TW)

(73) Assignee: **Cheng Uei Precision Industry Co., Ltd.**, New Taipei (TW)

(\*\*) Term: **14 Years**

(21) Appl. No.: **29/411,157**

(22) Filed: **Jan. 17, 2012**

(51) **LOC (9) Cl.** ..... **13-03**

(52) **U.S. Cl.** ..... **D13/147**

(58) **Field of Classification Search** ..... D13/133,  
D13/146, 147, 153, 154, 184, 199; 439/79,  
439/108, 350, 353, 357, 378, 476.1, 489,  
439/587, 594, 595, 598, 607.01, 607.04,  
439/607.05, 607.17, 607.25, 607.34, 607.41,  
439/607.53, 656, 660, 668, 680, 711, 745,  
439/752

See application file for complete search history.

(56) **References Cited**

U.S. PATENT DOCUMENTS

D517,489 S \* 3/2006 Kawase et al. .... D13/147  
D518,790 S \* 4/2006 Nishio et al. .... D13/147  
D521,938 S \* 5/2006 Nishio et al. .... D13/147

D617,282 S \* 6/2010 Tung et al. .... D13/147  
D636,339 S \* 4/2011 Hsu et al. .... D13/147  
D638,365 S \* 5/2011 Hsu et al. .... D13/147  
D647,487 S \* 10/2011 Zong ..... D13/147

\* cited by examiner

*Primary Examiner* — Daniel Bui

(74) *Attorney, Agent, or Firm* — Cheng-Ju Chiang

(57) **CLAIM**

The ornamental design for a plug connector, as shown and described.

**DESCRIPTION**

FIG. 1 is a perspective view of a plug connector showing our new design;

FIG. 2 is a front elevational view thereof;

FIG. 3 is a rear elevational view thereof;

FIG. 4 is a left side elevational view thereof;

FIG. 5 is a right side elevational view thereof;

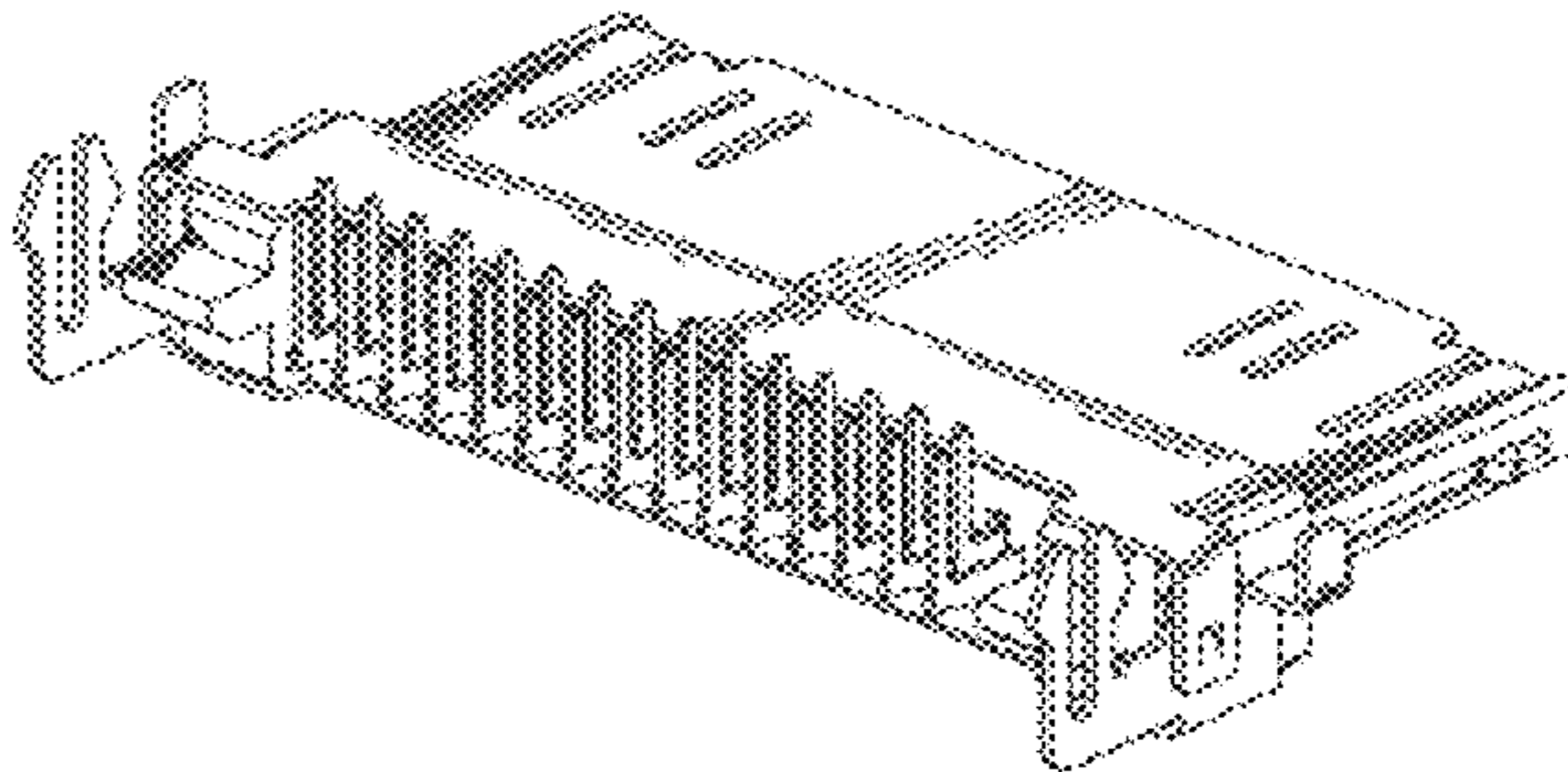
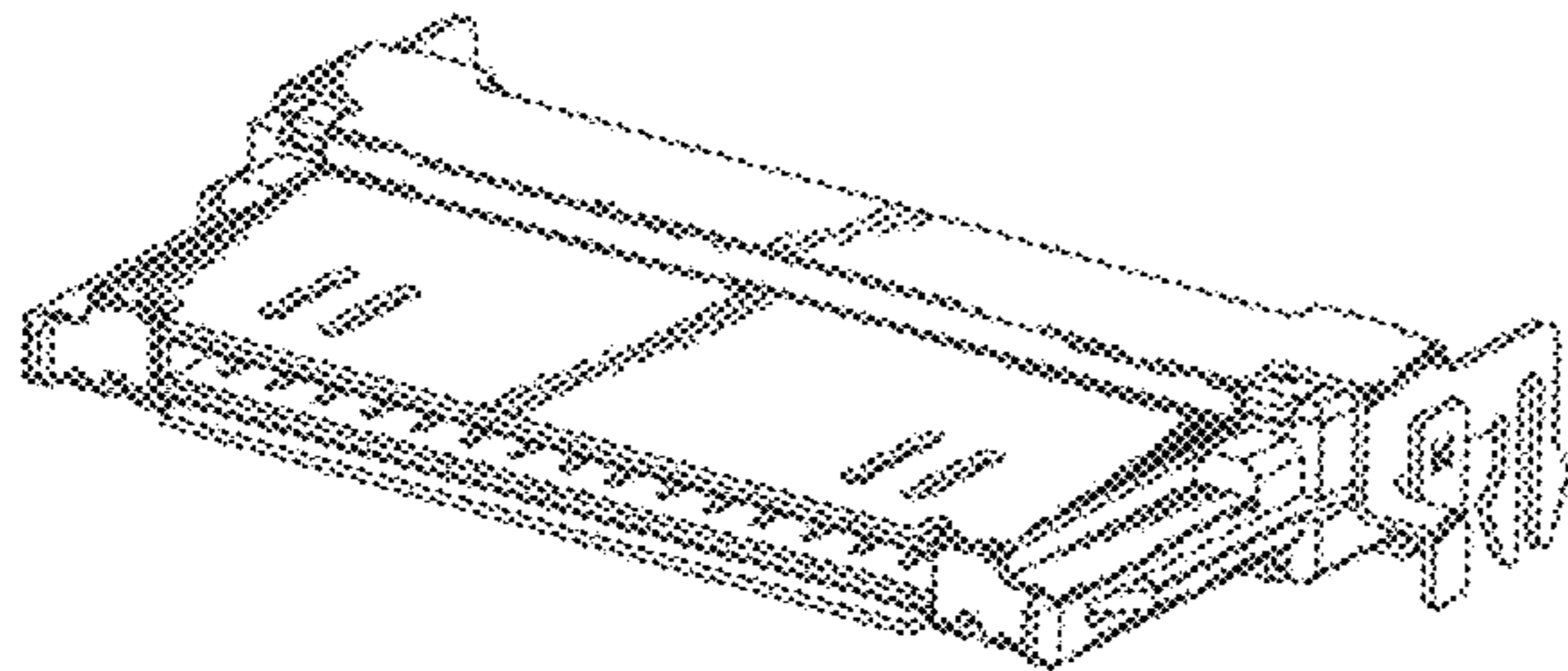
FIG. 6 is a top plan view thereof;

FIG. 7 is a bottom plan view thereof; and,

FIG. 8 is another perspective view of the plug connector showing our new design.

The broken line portion of the figure drawings is included to show unclaimed subject matter only and forms no part of the claimed design.

**1 Claim, 8 Drawing Sheets**



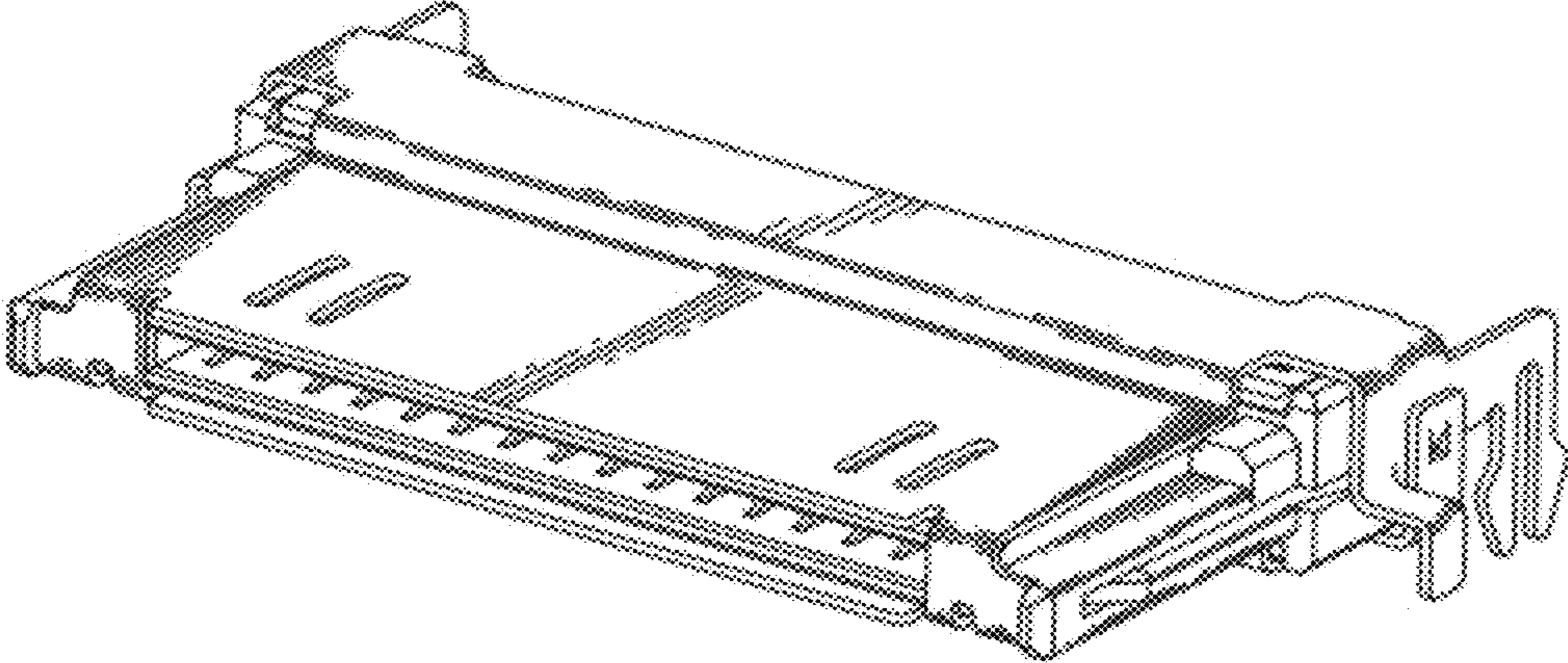


FIG. 1

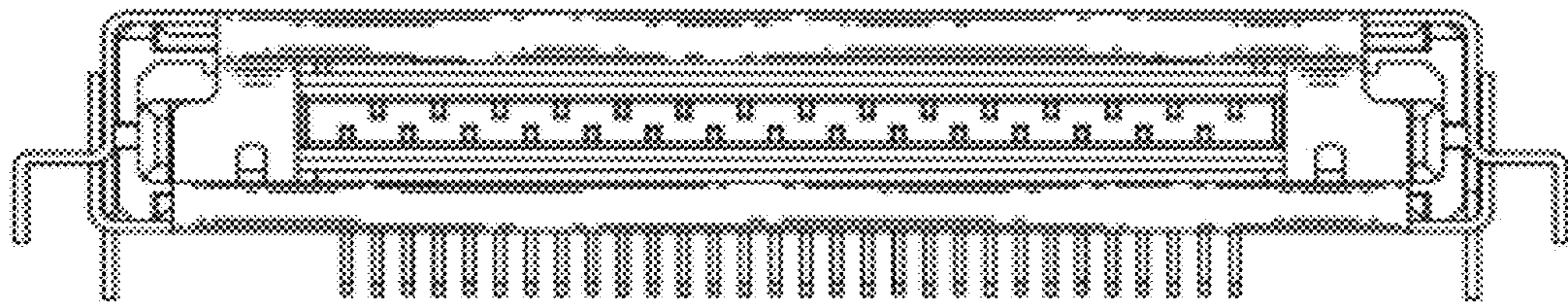


FIG. 2

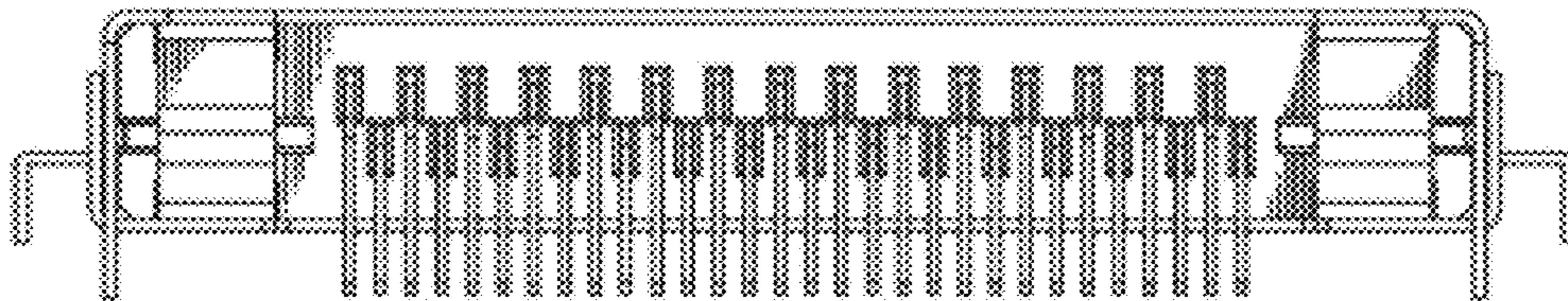


FIG. 3



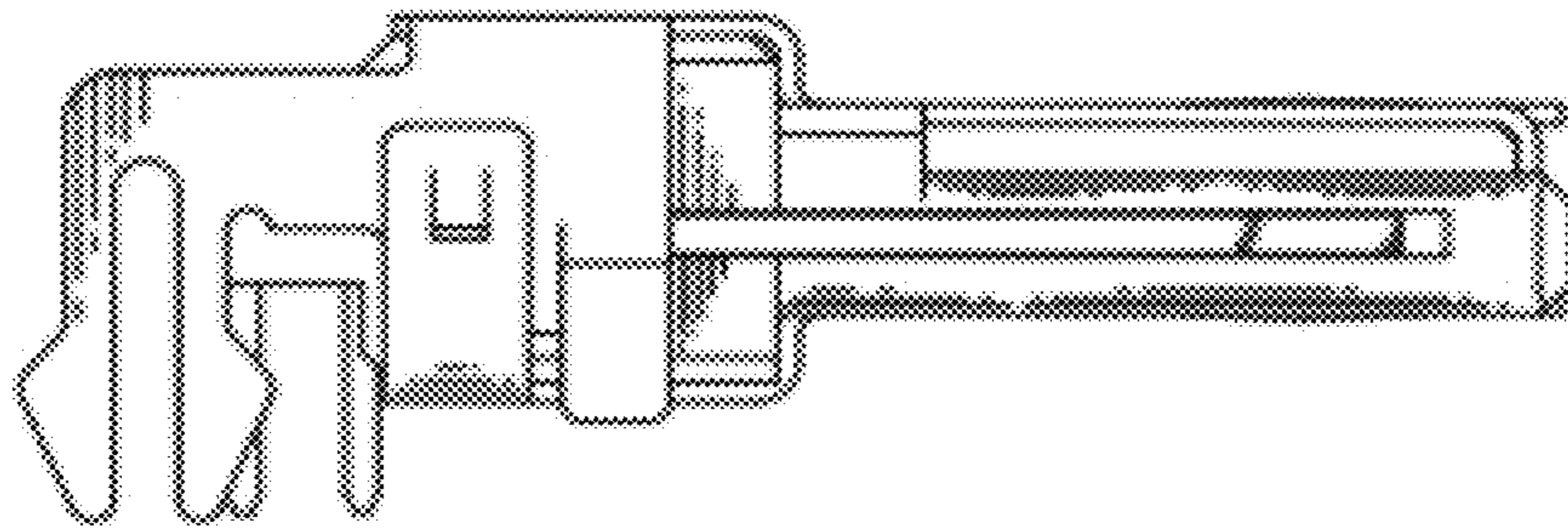


FIG. 4

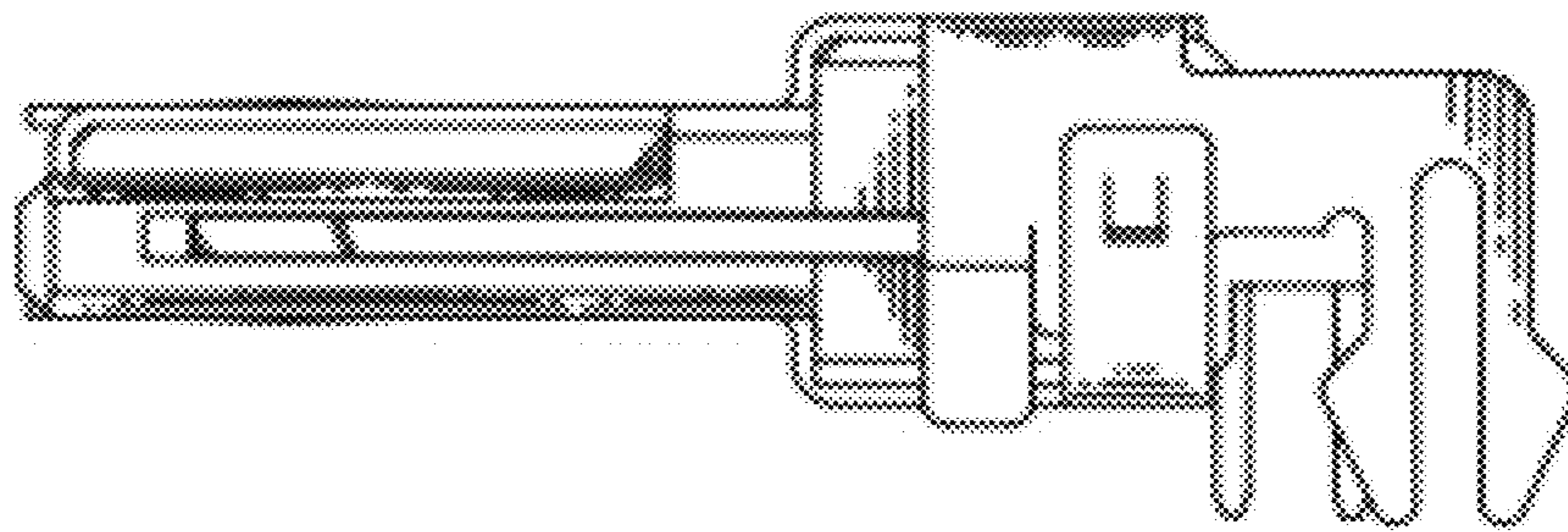


FIG. 5

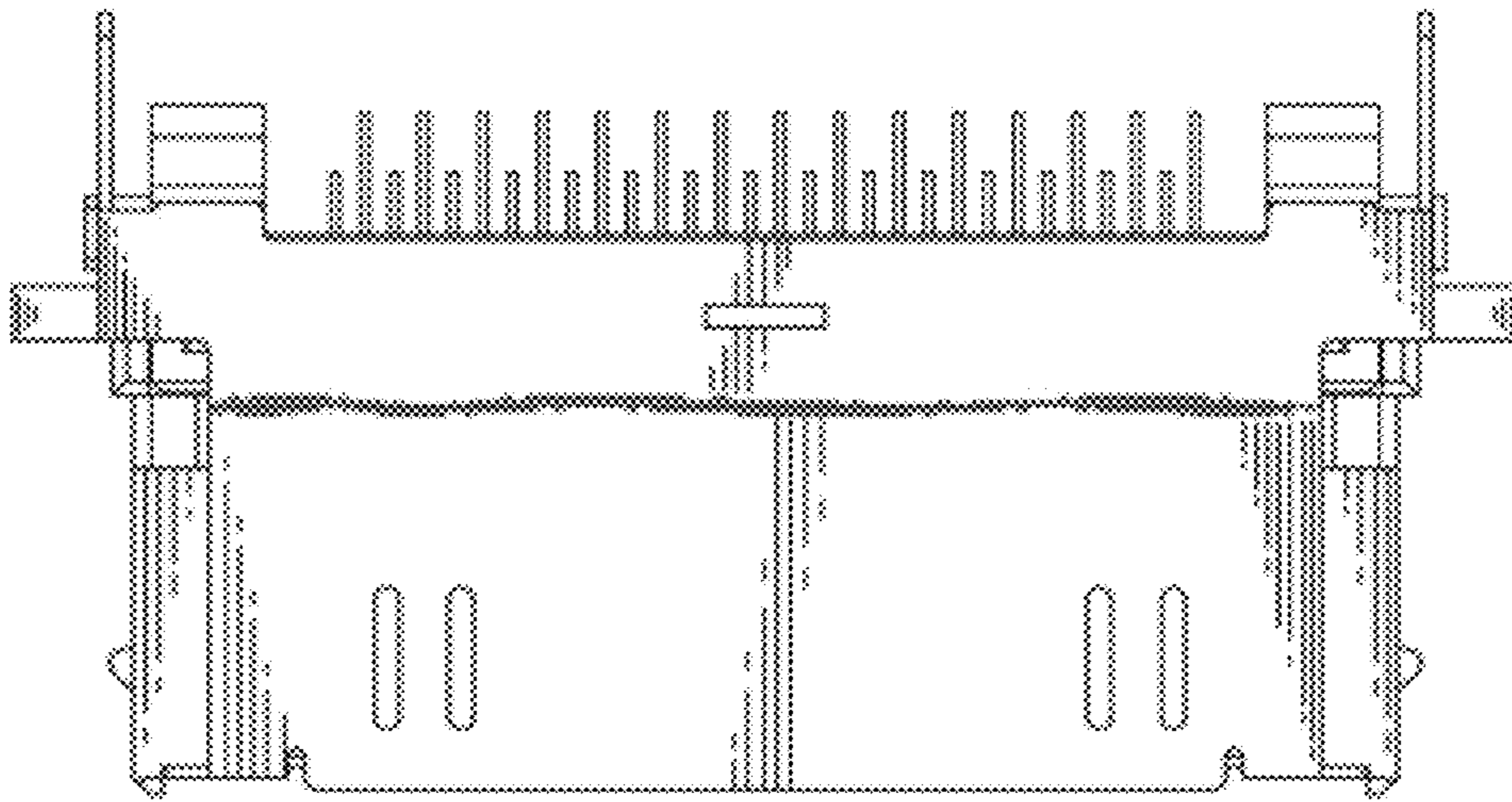


FIG. 6

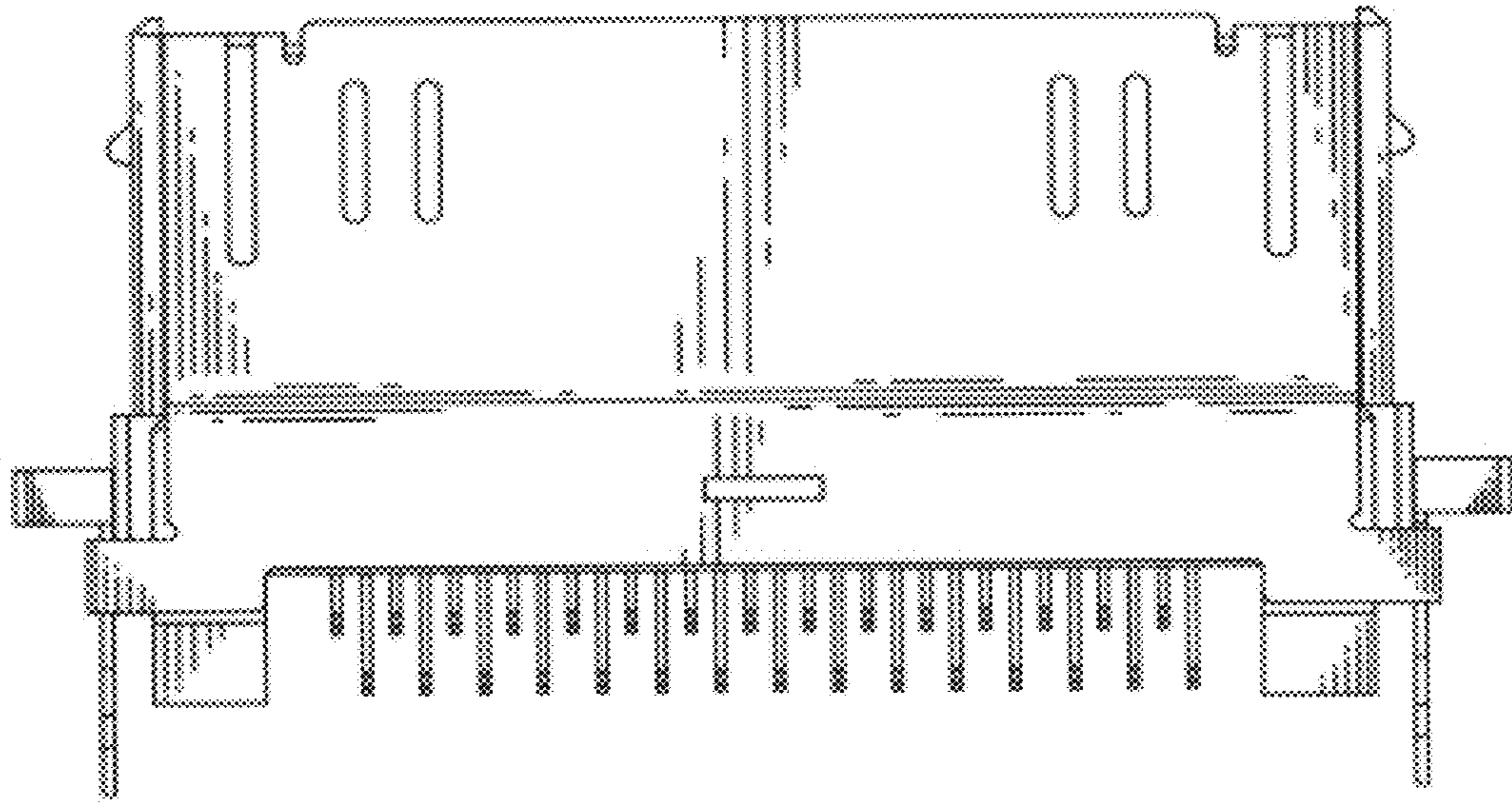


FIG. 7



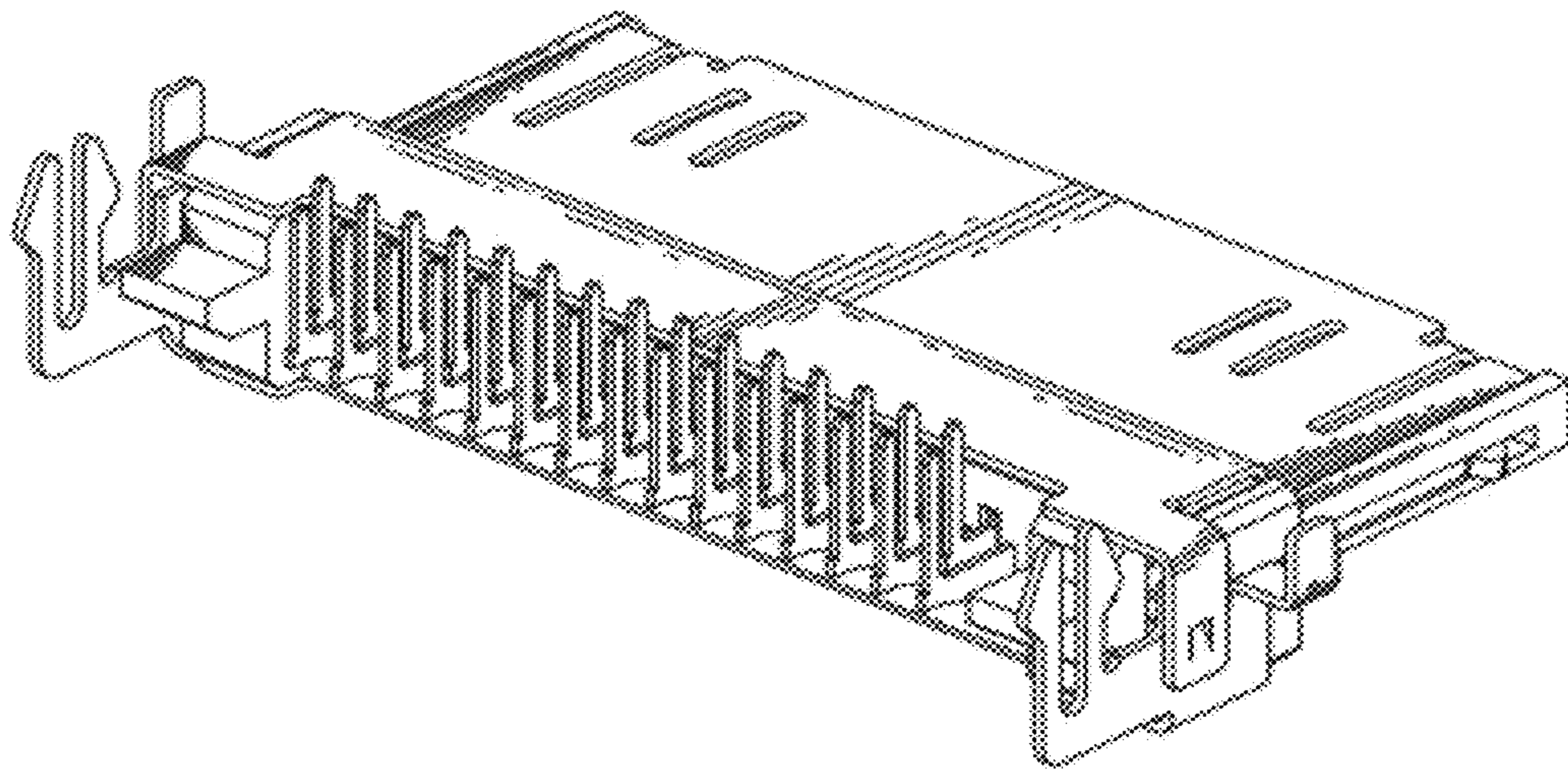


FIG. 8