



US00D671892S

(12) **United States Design Patent**
Keith, Jr. et al.

(10) **Patent No.:** **US D671,892 S**
(45) **Date of Patent:** **** Dec. 4, 2012**

(54) **PORTION OF A POWER BASE**
(75) Inventors: **James A. Keith, Jr.**, Pickens, SC (US);
Michael E. Buckner, Clemson, SC
(US); **Ronald C. McCurry**, West Union,
SC (US)

4,524,649 A 6/1985 Diaz et al.
4,639,163 A 1/1987 Buthe et al.
4,813,808 A 3/1989 Gehrke
4,974,475 A 12/1990 Lord et al.
5,033,552 A 7/1991 Hu
5,052,496 A 10/1991 Albert et al.
D322,954 S * 1/1992 Avramovich D13/133
5,170,851 A 12/1992 Kress et al.

(73) Assignee: **Techtronic Power Tools Technology Limited**, Tortola (VG)

(Continued)

(**) Term: **14 Years**

FOREIGN PATENT DOCUMENTS

EP 1129825 A2 5/2001

(Continued)

(21) Appl. No.: **29/389,759**

OTHER PUBLICATIONS

(22) Filed: **Apr. 15, 2011**

Office Action from the United States Patent and Trademark Office for U.S. Appl. No. 29/389,776 dated Sep. 17, 2012 (6 pages).

(51) **LOC (9) Cl.** **13-03**

(52) **U.S. Cl.** **D13/133**

(58) **Field of Classification Search** D13/133,
D13/146, 147, 154, 184, 199; 439/180, 246,
439/252, 259, 278, 296, 350, 352, 353, 354,
439/357, 358, 374, 378, 379, 380, 381, 527,
439/529, 530, 533, 598, 680, 892, 894

(Continued)

See application file for complete search history.

Primary Examiner — Daniel Bui

(74) *Attorney, Agent, or Firm* — Michael Best & Friedrich LLP

(56) **References Cited**

(57) **CLAIM**

We claim the ornamental design for a portion of a power base, as shown and described.

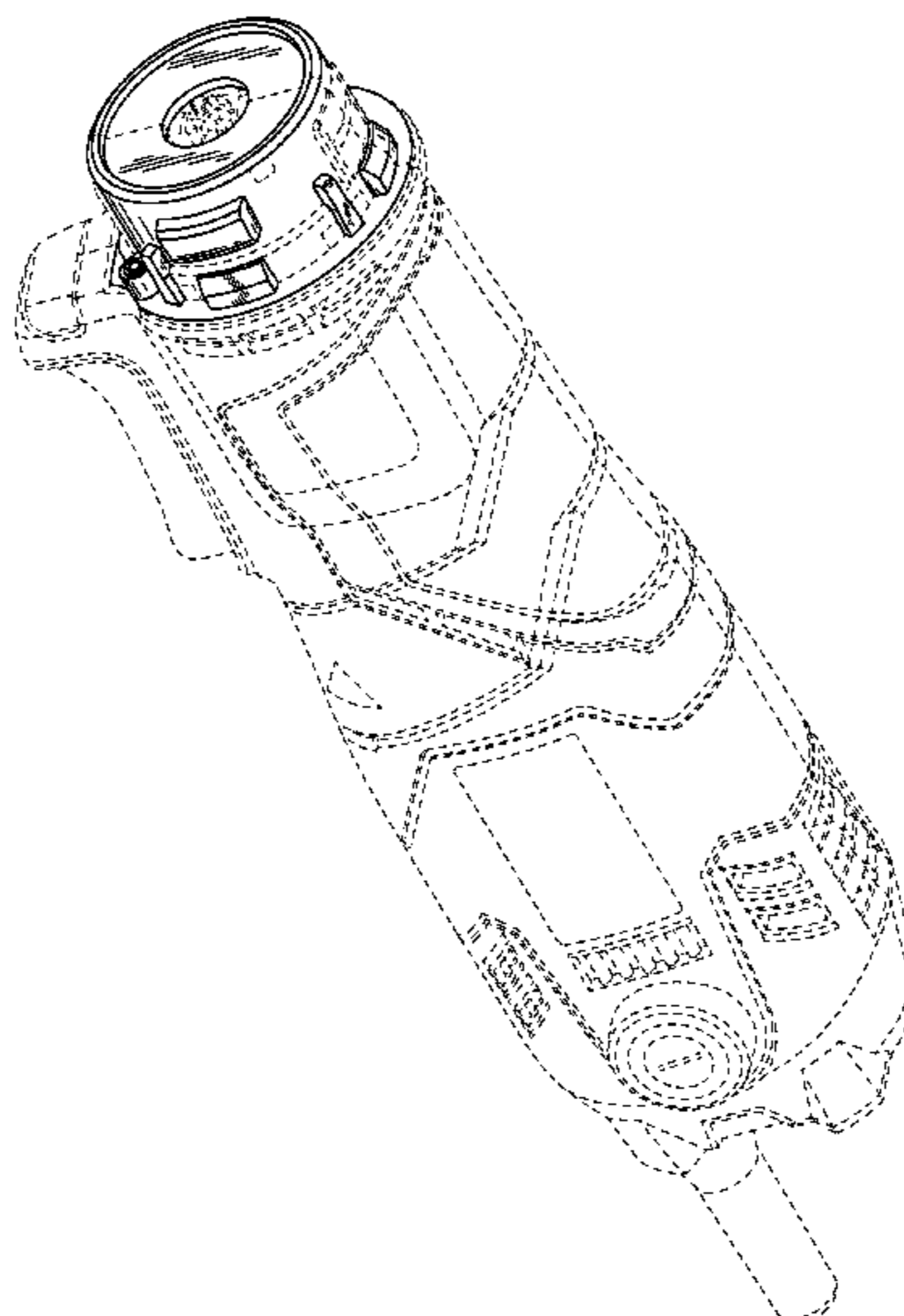
U.S. PATENT DOCUMENTS

DESCRIPTION

- 2,539,387 A 1/1951 Alden
- 2,726,689 A 12/1955 Busby
- 2,808,085 A 10/1957 Hollien et al.
- 2,808,749 A 10/1957 Lampke
- 3,009,493 A 11/1961 Dodegge
- 3,260,541 A 7/1966 Sadler et al.
- 3,574,374 A 4/1971 Keller et al.
- 3,703,089 A 11/1972 Geisthoff et al.
- 3,724,237 A 4/1973 Wood
- 3,734,515 A 5/1973 Dudek
- 3,759,336 A 9/1973 Marcovitz et al.
- 3,952,239 A 4/1976 Owings et al.
- 4,078,589 A 3/1978 Miller
- RE30,680 E 7/1981 Kress et al.
- 4,346,630 A 8/1982 Hanson
- 4,392,836 A 7/1983 Sugawara
- 4,448,098 A 5/1984 Totsu

FIG. 1 is a perspective view of a portion of a power base showing our new design;
FIG. 2 is a front view thereof.
FIG. 3 is a rear view thereof.
FIG. 4 is a right side view thereof.
FIG. 5 is a left side view thereof.
FIG. 6 is a top view thereof; and,
FIG. 7 is a bottom view thereof.
The portions of the power base shown in broken lines are included for the purpose of illustrating environment and form no part of the claimed design.

1 Claim, 4 Drawing Sheets



US D671,892 S

Page 2

U.S. PATENT DOCUMENTS

5,562,015 A 10/1996 Zinck
5,771,516 A 6/1998 Huang
5,993,454 A 11/1999 Longo
D420,267 S 2/2000 Robson
6,039,126 A 3/2000 Hsieh
6,153,838 A 11/2000 Wadge
6,170,579 B1 1/2001 Wadge
6,176,322 B1 1/2001 Wadge
6,206,107 B1 3/2001 Wadge
6,263,979 B1 7/2001 Dyke et al.
6,263,980 B1 7/2001 Wadge
D447,035 S 8/2001 Netzler
6,286,611 B1 9/2001 Bone
D449,212 S 10/2001 Price et al.
6,352,127 B1 3/2002 Yorde
6,553,642 B2 4/2003 Driessen
6,568,298 B1 5/2003 Zinck
6,634,439 B2 10/2003 Driessen
6,641,467 B1 11/2003 Robson et al.
6,675,911 B2 1/2004 Driessen
6,712,368 B2 3/2004 Bohn et al.
6,715,380 B2 4/2004 Listl et al.
6,789,447 B1 9/2004 Zinck
6,789,448 B2 9/2004 Ono et al.
6,915,721 B2 7/2005 Hsu et al.
7,021,399 B2 4/2006 Driessen
7,063,170 B2 6/2006 Ortt et al.
7,069,816 B1 7/2006 Saathoff et al.
7,077,736 B2 7/2006 Uzumcu et al.
7,100,705 B2 9/2006 Ortt et al.
7,137,457 B2 11/2006 Frauhammer et al.
D533,041 S 12/2006 Pozgay et al.
7,273,159 B2 9/2007 Brotto
D554,461 S 11/2007 Kokawa et al.
7,306,050 B2 12/2007 Chen

7,413,025 B2 8/2008 Provost
D580,247 S 11/2008 Taniguchi et al.
D587,978 S 3/2009 Aglassinger
D588,891 S 3/2009 Hayakawa et al.
7,509,894 B2 3/2009 Chen
7,549,953 B2 6/2009 Walters
7,568,288 B2 8/2009 Baker
7,578,730 B2 8/2009 Chen
7,596,872 B2 10/2009 Clarke et al.
D626,068 S * 10/2010 Giefers et al. D13/133
D626,395 S 11/2010 Lau et al.
D626,398 S 11/2010 Lau et al.
D626,506 S * 11/2010 Giefers et al. D13/133
D638,797 S * 5/2011 Ohmori D13/133
D644,184 S 8/2011 Gilibert
D647,849 S * 11/2011 Yu D13/133
D649,121 S * 11/2011 Urban D13/151
D665,645 S 8/2012 McRoberts et al.
2002/0020539 A1 2/2002 Driessen
2002/0148623 A1 10/2002 Pan
2004/0103761 A1 6/2004 Pillow
2007/0193761 A1 8/2007 Brotto
2007/0240892 A1 10/2007 Brotto et al.
2008/0136125 A1 6/2008 Hirt et al.
2009/0272554 A1 11/2009 Young et al.
2012/0104746 A1 5/2012 Fansler et al.

FOREIGN PATENT DOCUMENTS

WO 2008057023 A1 5/2008

OTHER PUBLICATIONS

Office Action from the United States Patent and Trademark Office for
U.S. Appl. No. 29/389,778 dated Sep. 17, 2012 (7 pages).

* cited by examiner

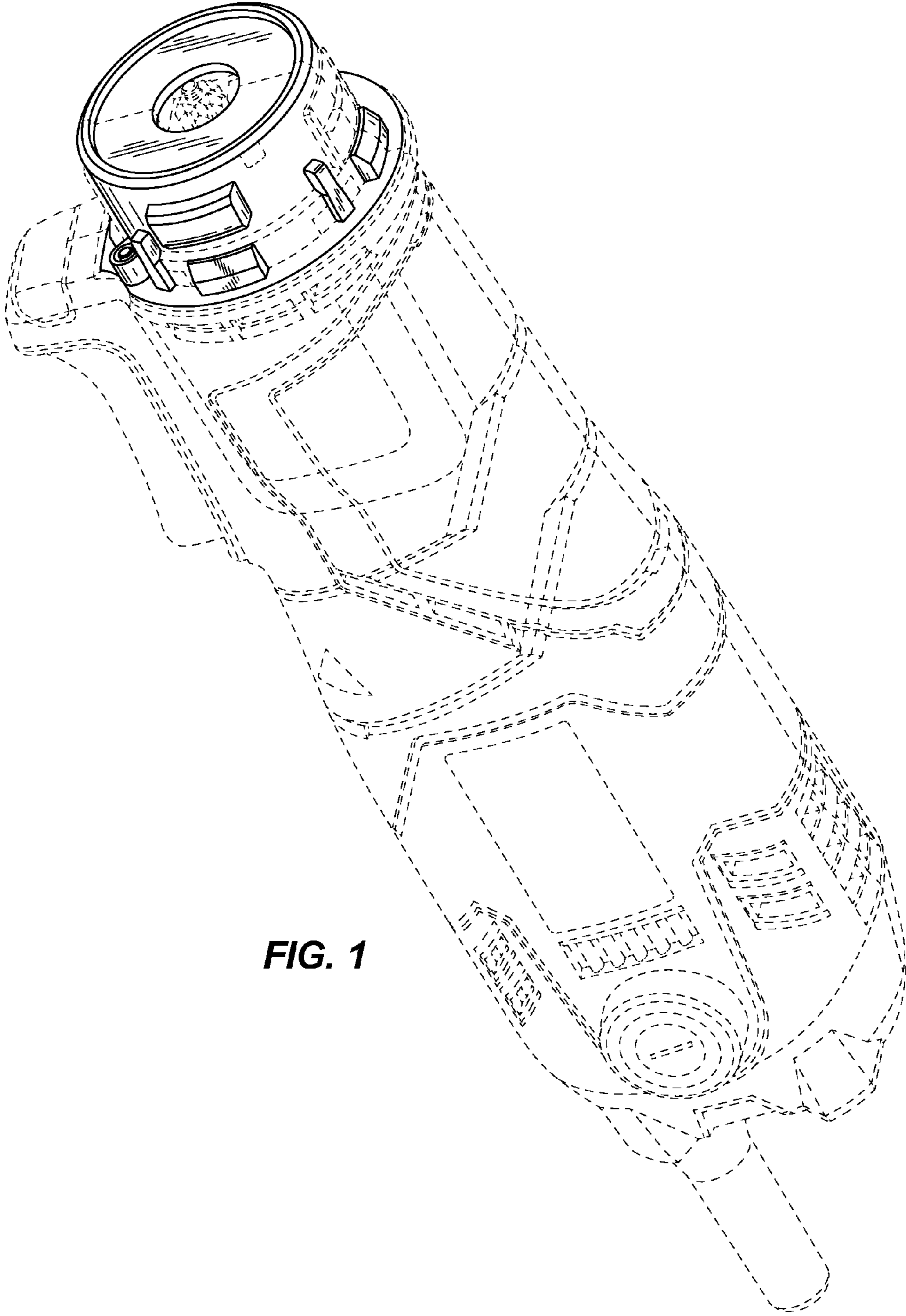


FIG. 1

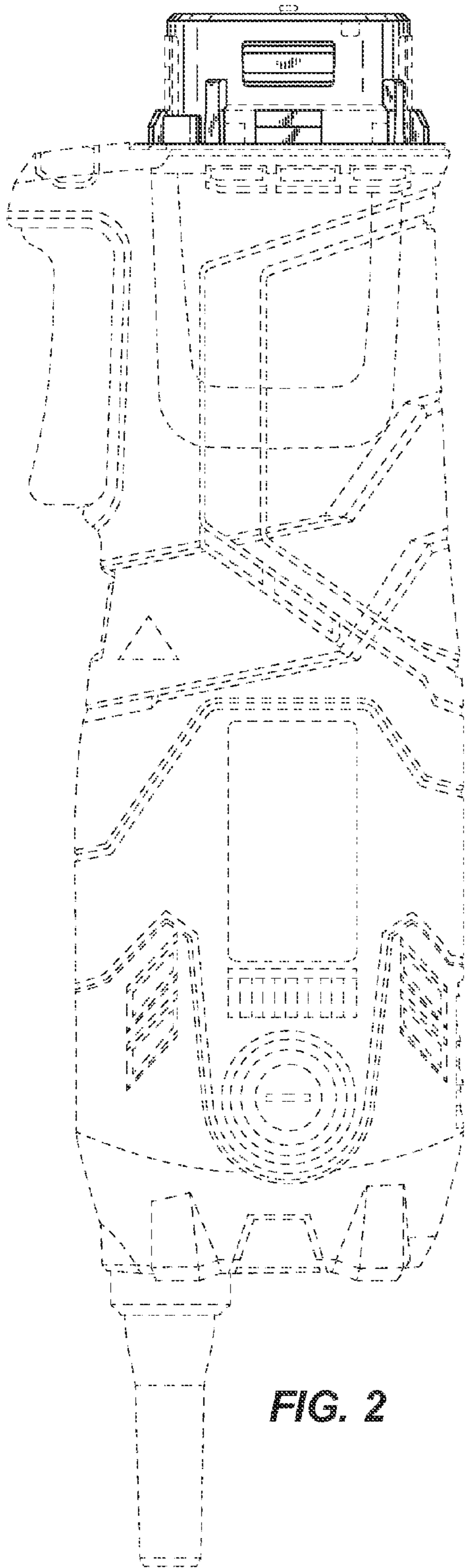


FIG. 2

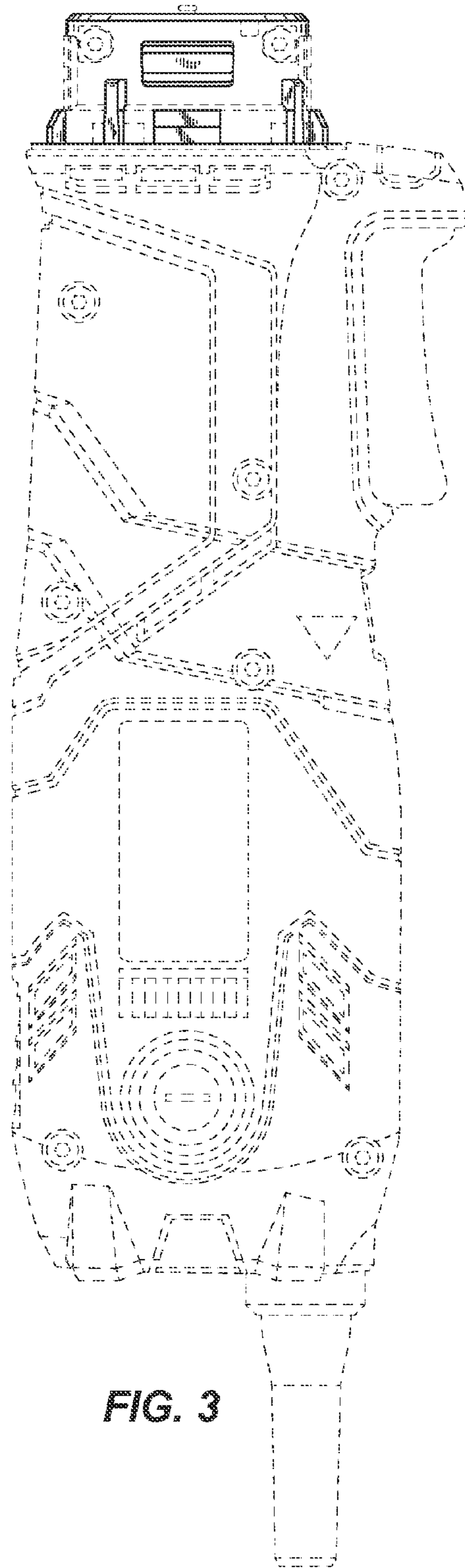


FIG. 3

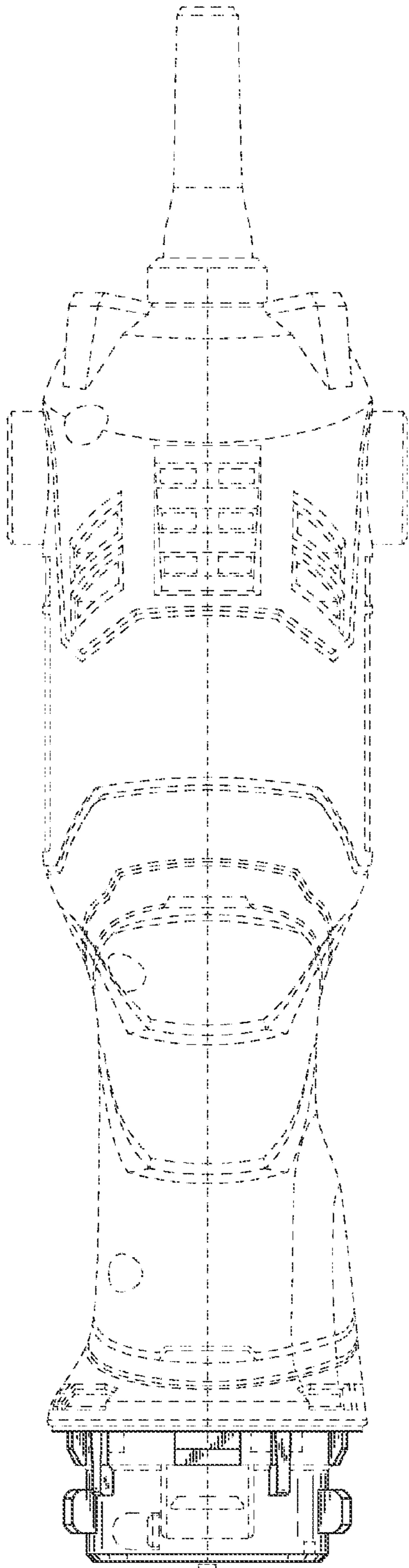


FIG. 4

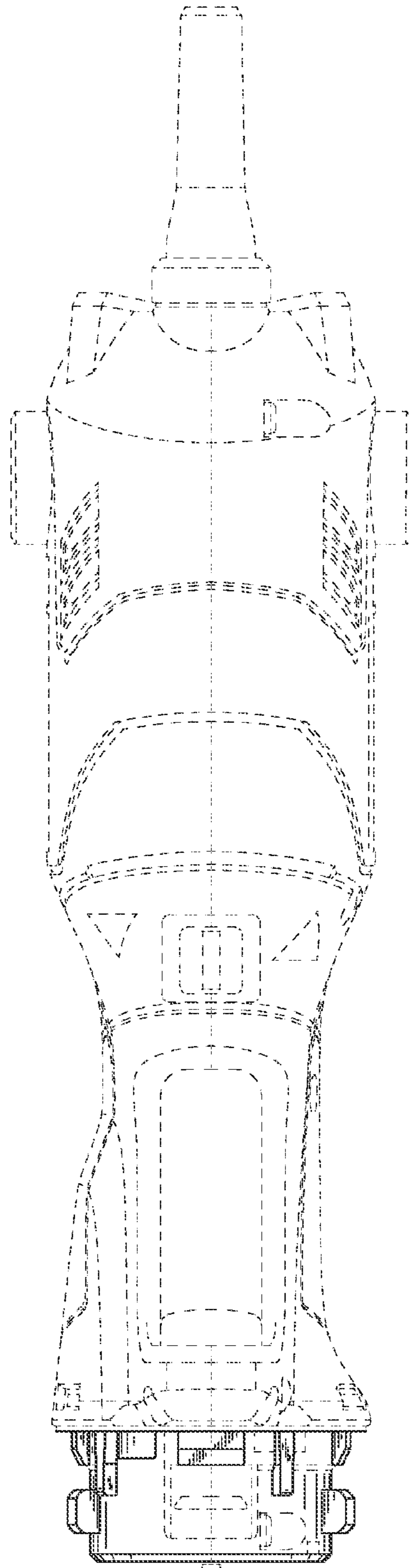


FIG. 5

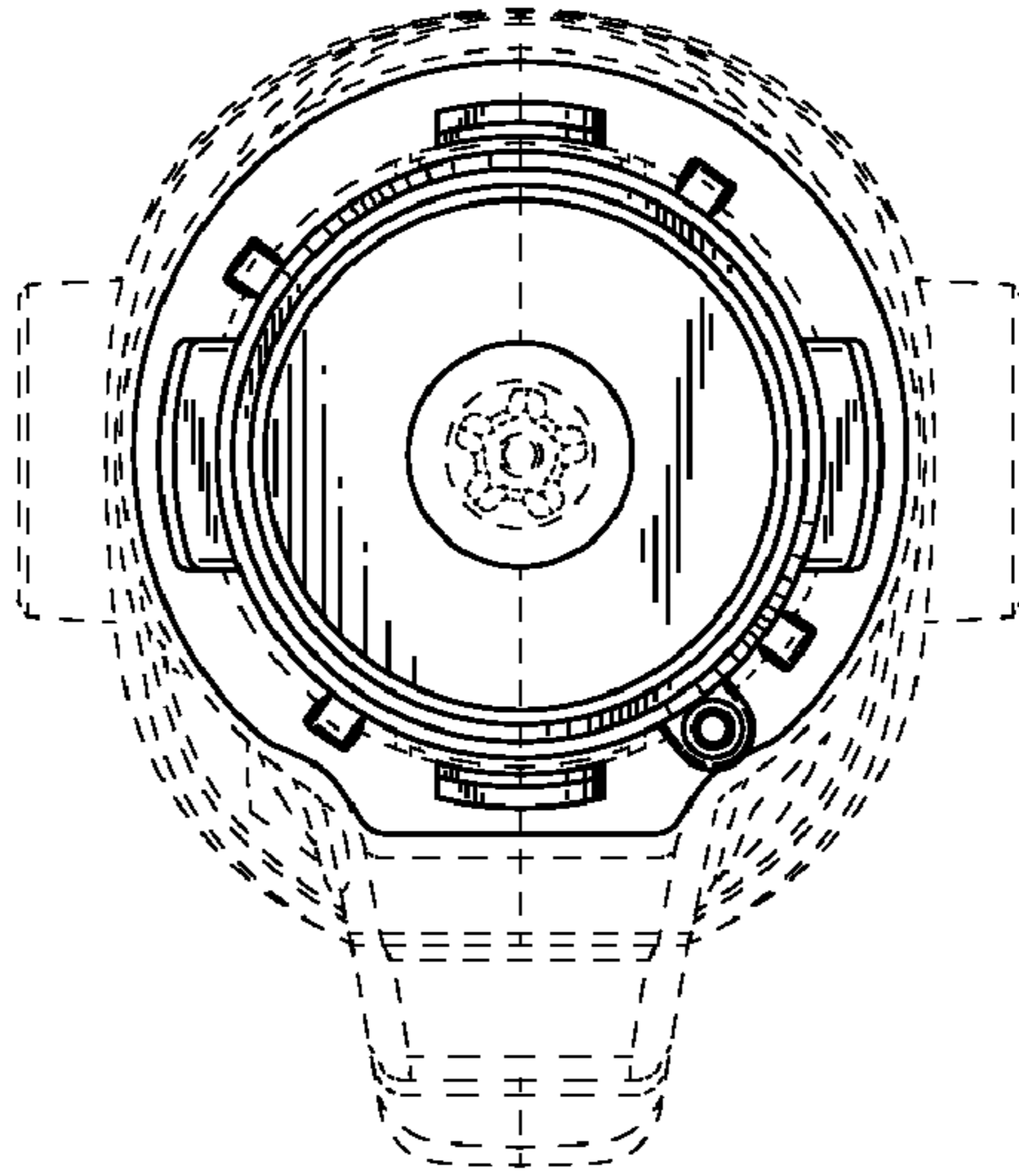


FIG. 6

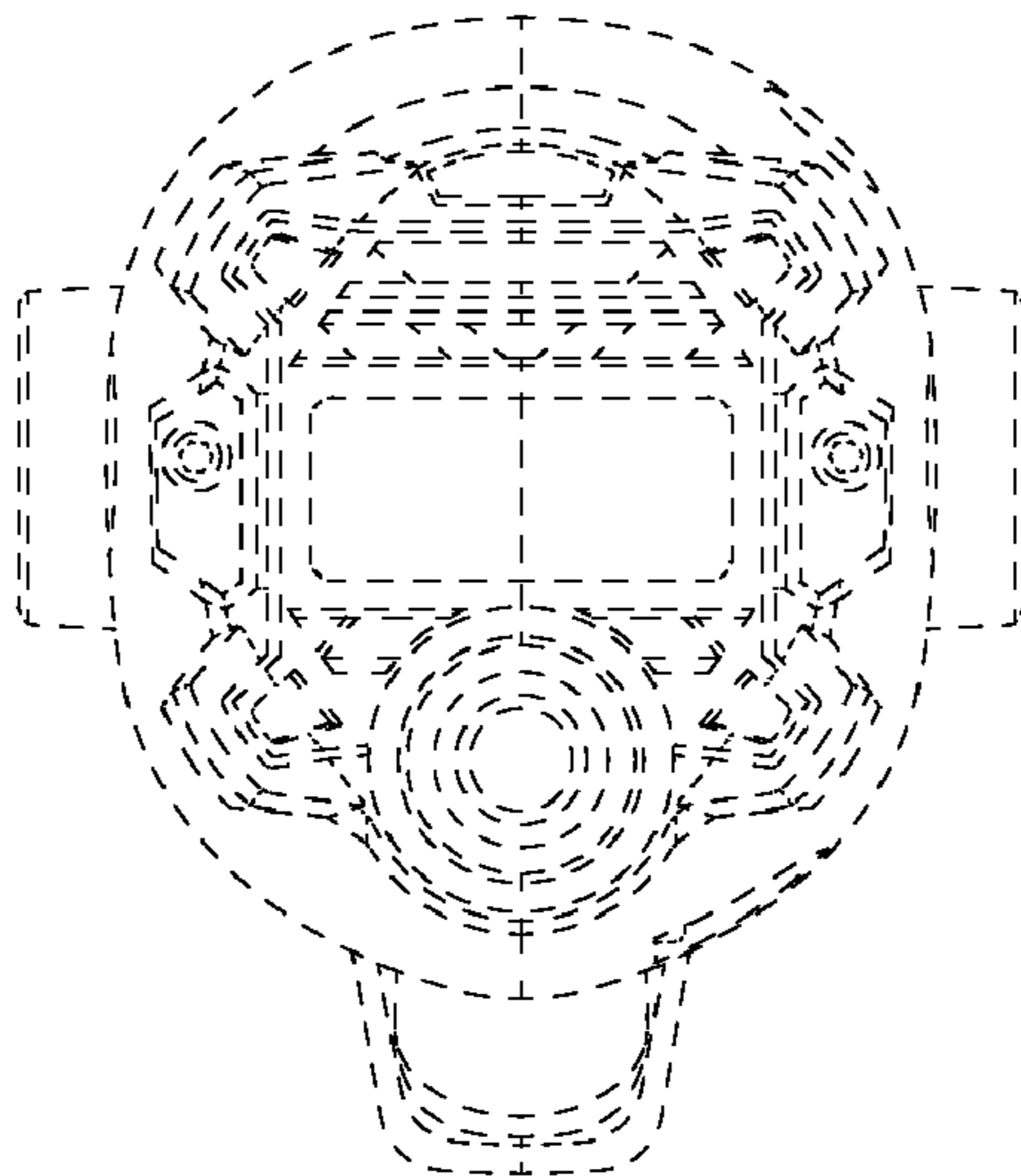


FIG. 7