



US00D671890S

(12) **United States Design Patent**  
**Tokashiki et al.**

(10) **Patent No.:** **US D671,890 S**  
(45) **Date of Patent:** **\*\* Dec. 4, 2012**

(54) **SOLID ELECTROLYTIC CAPACITOR**

(75) Inventors: **Shinya Tokashiki**, Sendai (JP); **Akihiro Kawai**, Sendai (JP); **Shigetaka Matsubara**, Sendai (JP)

(73) Assignee: **NEC TOKIN Corporation**, Sendai-shi (JP)

(\*\*) Term: **14 Years**

(21) Appl. No.: **29/392,763**

(22) Filed: **May 26, 2011**

(30) **Foreign Application Priority Data**

Nov. 29, 2010 (JP) ..... 2010-028379

(51) **LOC (9) Cl.** ..... **13-03**

(52) **U.S. Cl.** ..... **D13/125**

(58) **Field of Classification Search** ..... D13/125,  
D13/101, 117, 118, 121, 123, 124, 133, 184,  
D13/199; D3/304, 314; D9/424, 432; 29/25.01,  
29/25.03; 361/516, 519, 524, 525, 529, 536,  
361/538, 540

See application file for complete search history.

(56) **References Cited**

**U.S. PATENT DOCUMENTS**

D247,025 S \* 1/1978 Cherry ..... D9/424  
D337,567 S 7/1993 Iijima et al.  
D340,692 S 10/1993 Iijima et al.  
D353,575 S \* 12/1994 Macomber ..... D13/125  
D392,253 S \* 3/1998 Kurihara et al. .... D13/125  
D569,799 S \* 5/2008 Kawahito et al. .... D13/125

D573,104 S \* 7/2008 Richey ..... D13/156  
7,468,882 B2 \* 12/2008 Marek et al. .... 361/540  
D587,119 S 2/2009 Meillerais  
D587,198 S 2/2009 Nagasawa  
D587,199 S \* 2/2009 Nagasawa ..... D13/125

**FOREIGN PATENT DOCUMENTS**

TW D115453 S 2/2007

**OTHER PUBLICATIONS**

Taiwanese Office Action dated Jan. 30, 2012 (and English translation thereof) in counterpart Taiwanese Application No. 100302646.

\* cited by examiner

*Primary Examiner* — Derrick Holland

(74) *Attorney, Agent, or Firm* — Holtz, Holtz, Goodman & Chick, PC

(57) **CLAIM**

The ornamental design for a solid electrolytic capacitor, as shown and described.

**DESCRIPTION**

FIG. 1 is a front, left, and top-side perspective view of a solid electrolytic capacitor;

FIG. 2 is a front elevational view thereof;

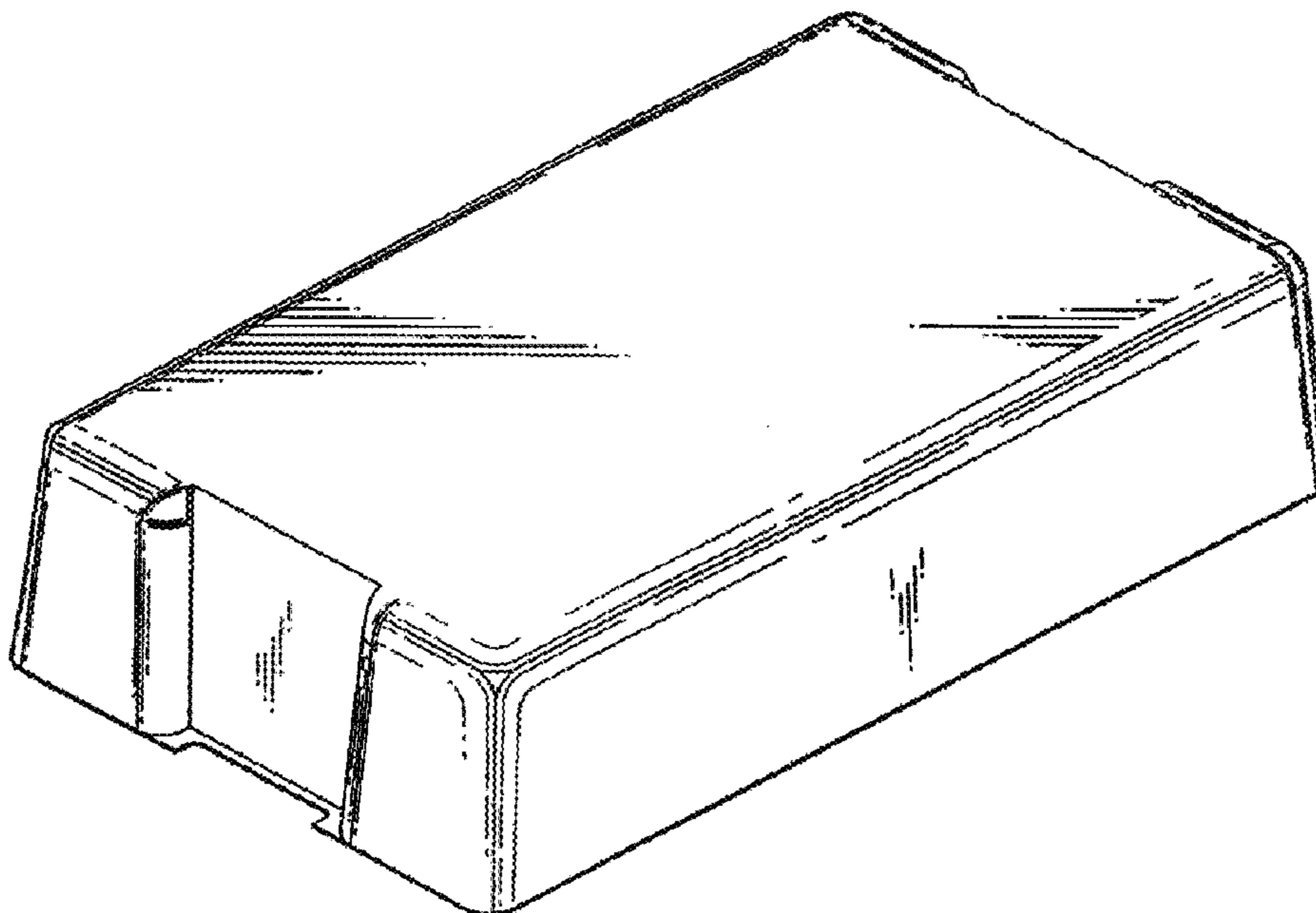
FIG. 3 is a right side elevational view thereof;

FIG. 4 is a top plan view thereof; and,

FIG. 5 is a bottom plan view thereof.

A rear elevational view of the solid electrolytic capacitor is omitted because it is presented symmetrical to the front elevational view of FIG. 2. A left side elevational view of the solid electrolytic capacitor is omitted because it is presented symmetrical to the right side elevational view of FIG. 3.

**1 Claim, 2 Drawing Sheets**



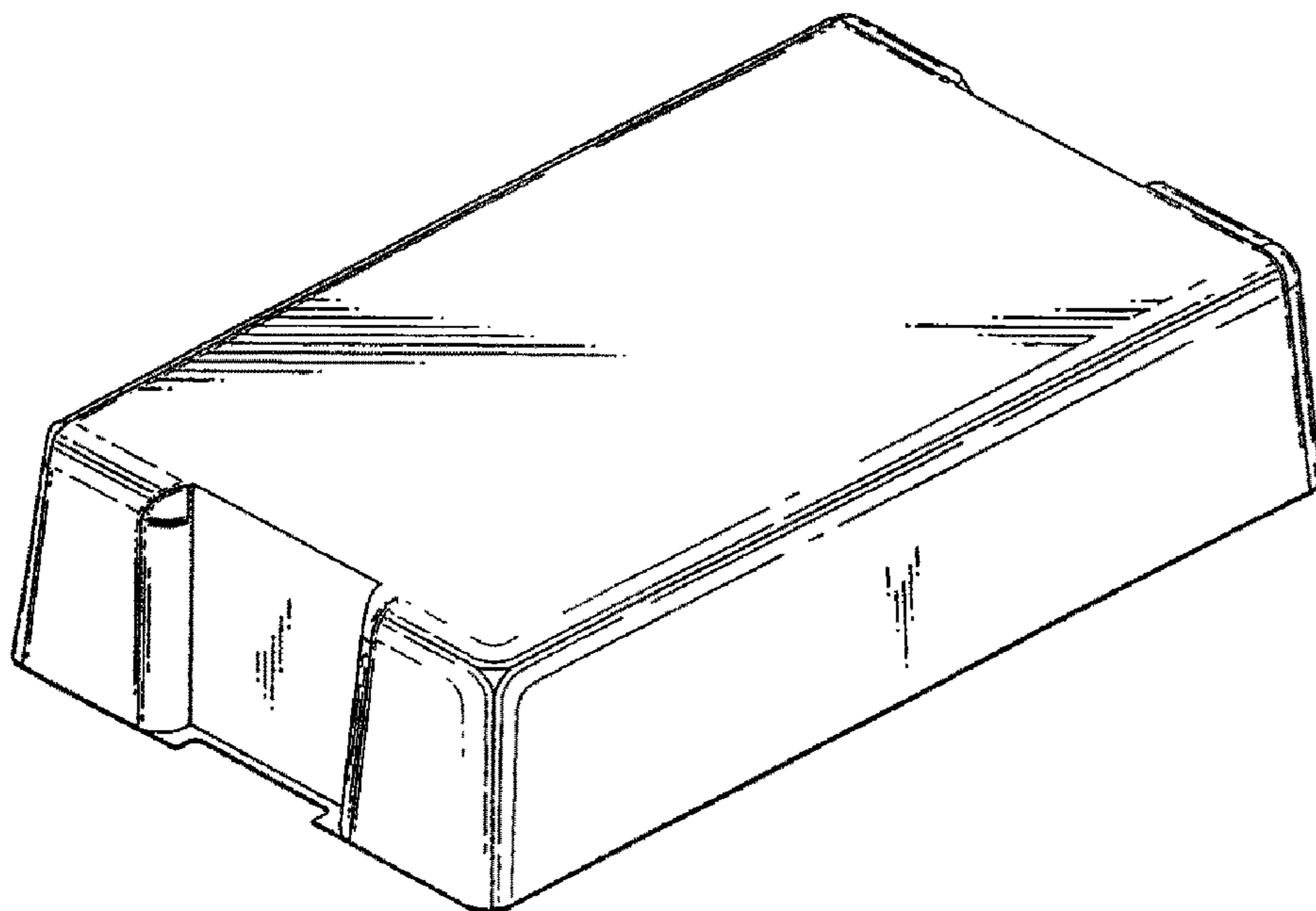


FIG. 1

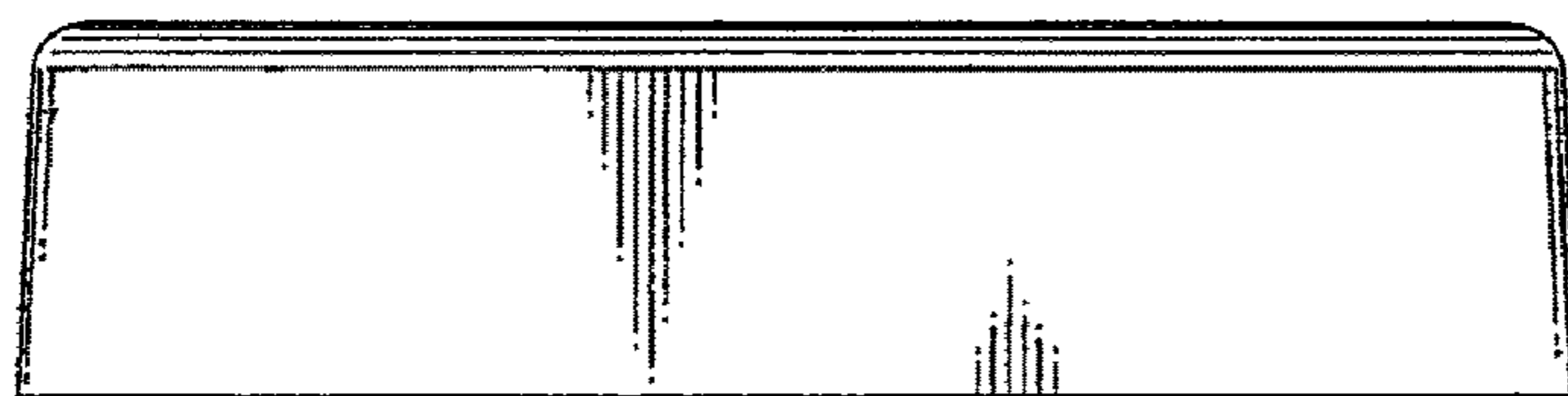


FIG. 2

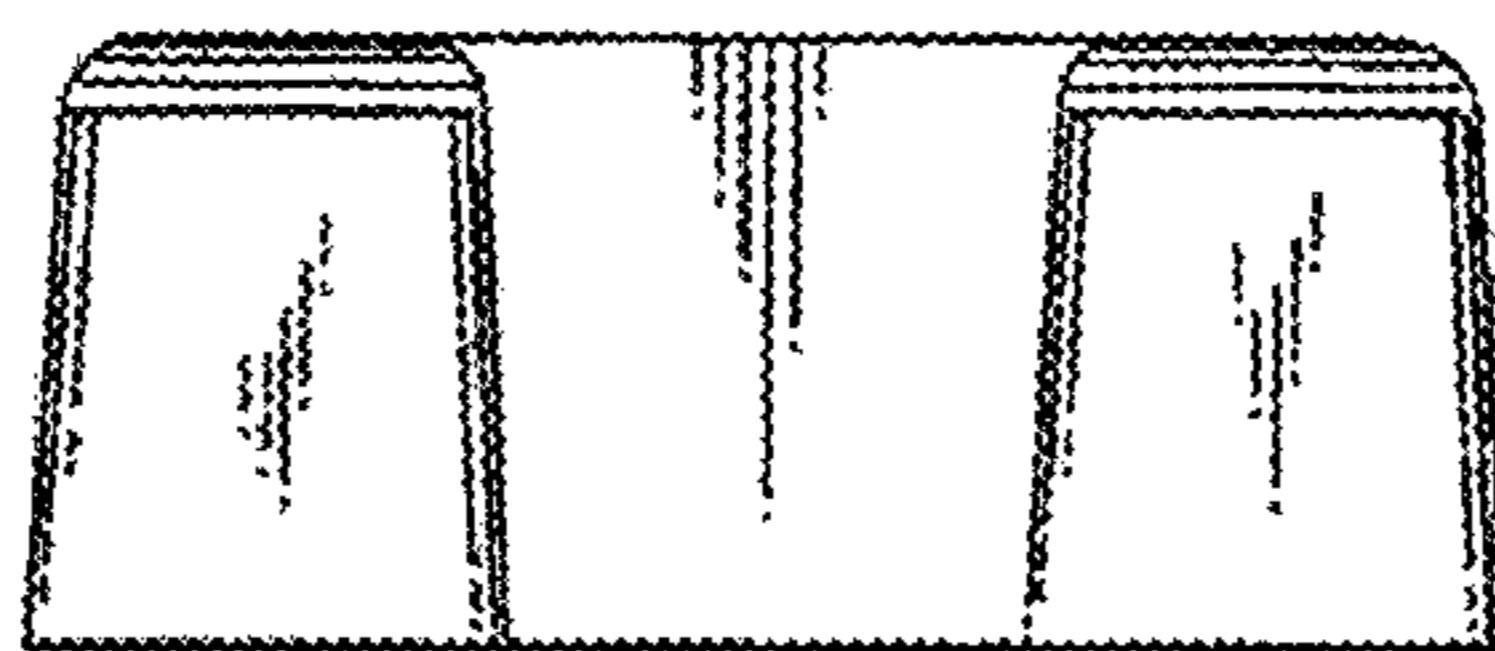


FIG. 3

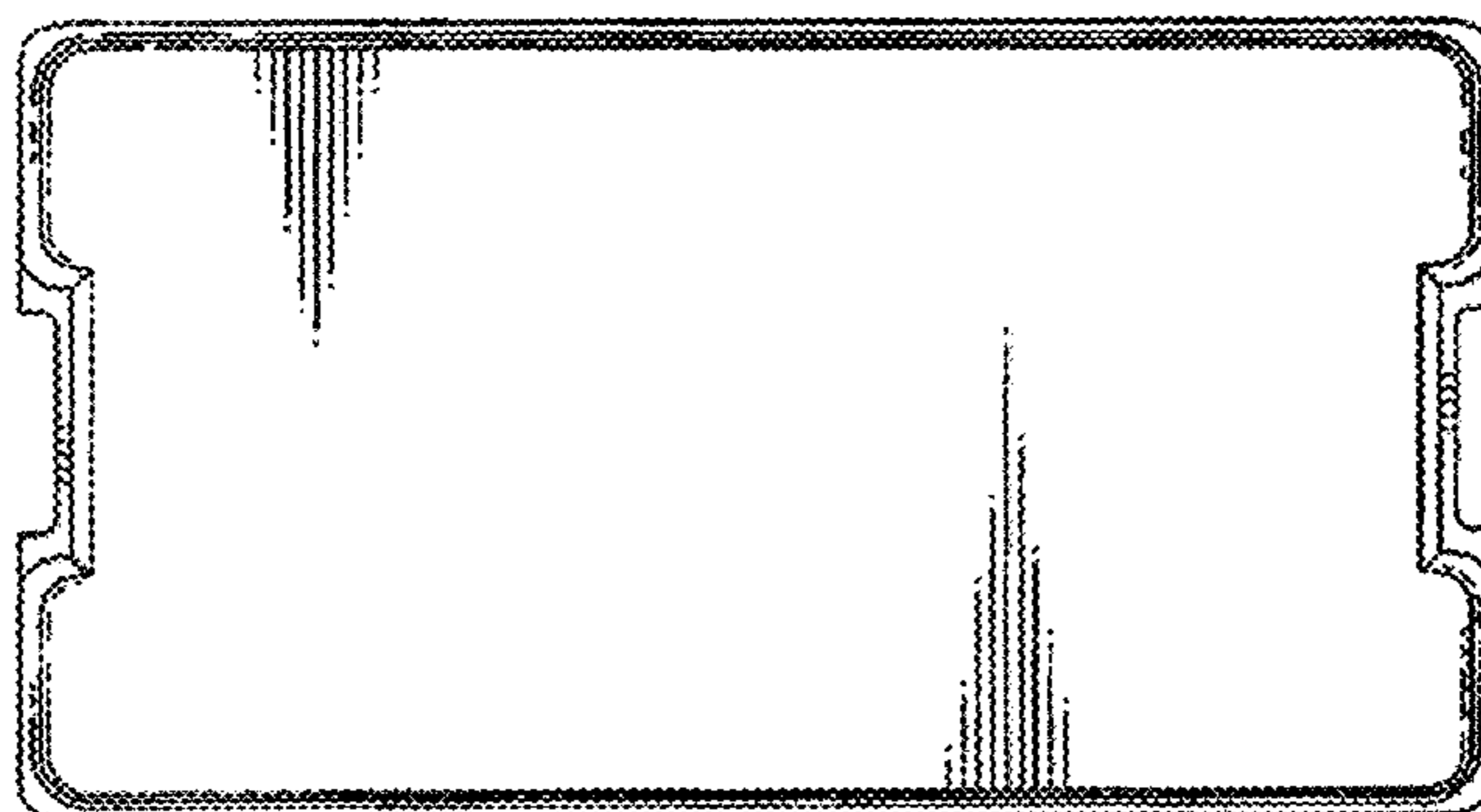


FIG. 4

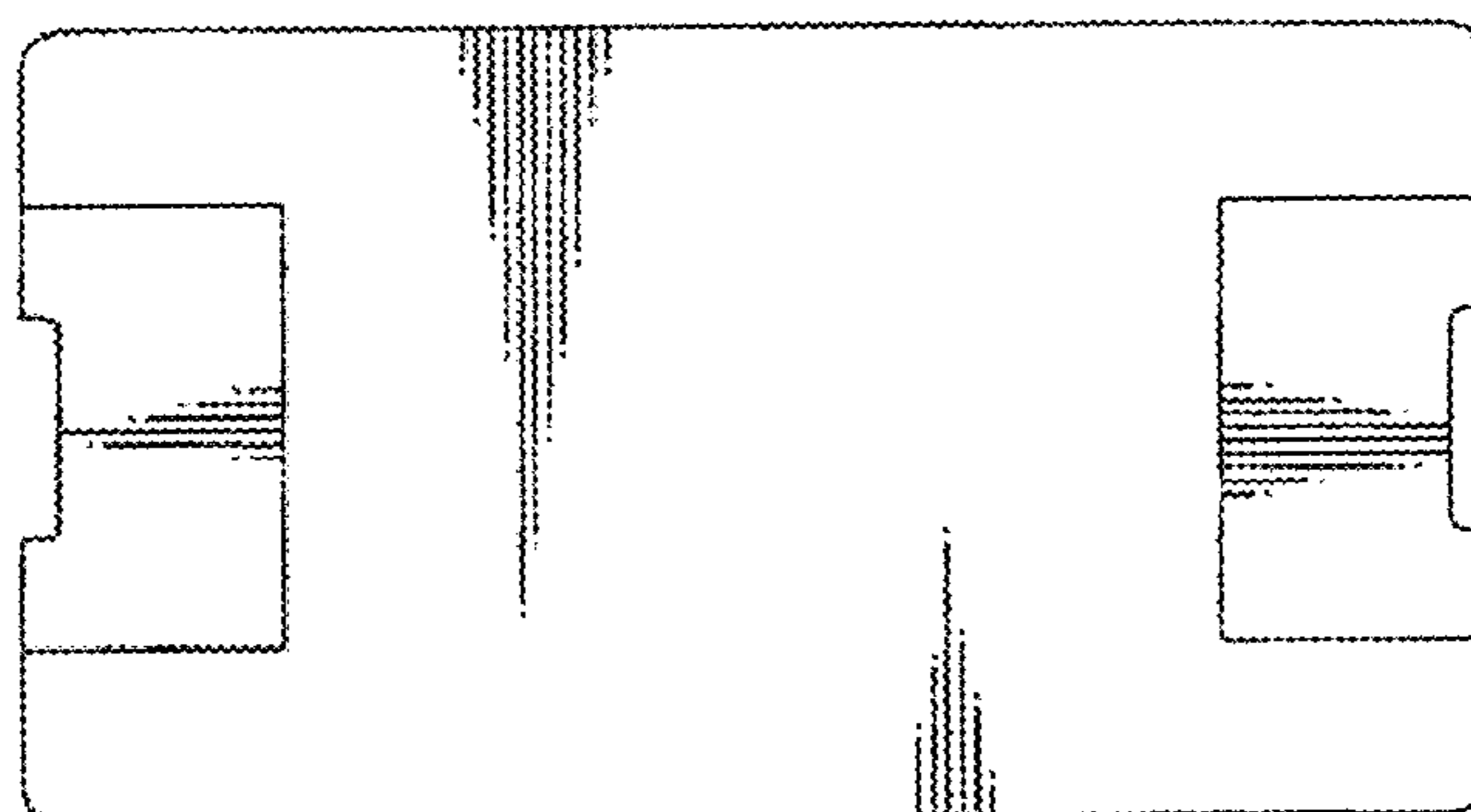


FIG. 5