



US00D671889S

(12) **United States Design Patent**
Inskeep

(10) **Patent No.:** **US D671,889 S**

(45) **Date of Patent:** **** Dec. 4, 2012**

(54) **AUTOMOTIVE BATTERY CHARGER**

5,077,513 A * 12/1991 Dea et al. 320/115
D327,468 S * 6/1992 Dea et al. D13/104
D664,090 S * 7/2012 Inskeep D13/107

(76) Inventor: **Mathew Inskeep**, Boca Raton, FL (US)

* cited by examiner

(**) Term: **14 Years**

Primary Examiner — Rosemary K Tarca

(21) Appl. No.: **29/426,872**

(57) **CLAIM**

I claim the ornamental design for an automotive battery charger, as shown and described.

(22) Filed: **Jul. 11, 2012**

(51) **LOC (9) Cl.** **13-02**

(52) **U.S. Cl.** **D13/109**

(58) **Field of Classification Search** D13/106–110,
D13/118–119, 184, 199; D15/9; 320/103–115
See application file for complete search history.

DESCRIPTION

FIG. 1 is a top perspective view of the automotive battery charger showing my new design.

FIG. 2 is a bottom perspective view.

FIG. 3 is a front view.

FIG. 4 is a back view.

FIG. 5 is a left side view thereof.

FIG. 6 is a right side view thereof.

FIG. 7 is a top view thereof.

FIG. 8 is a bottom view thereof.

FIG. 9 is a top perspective view with the handle collapsed; and,

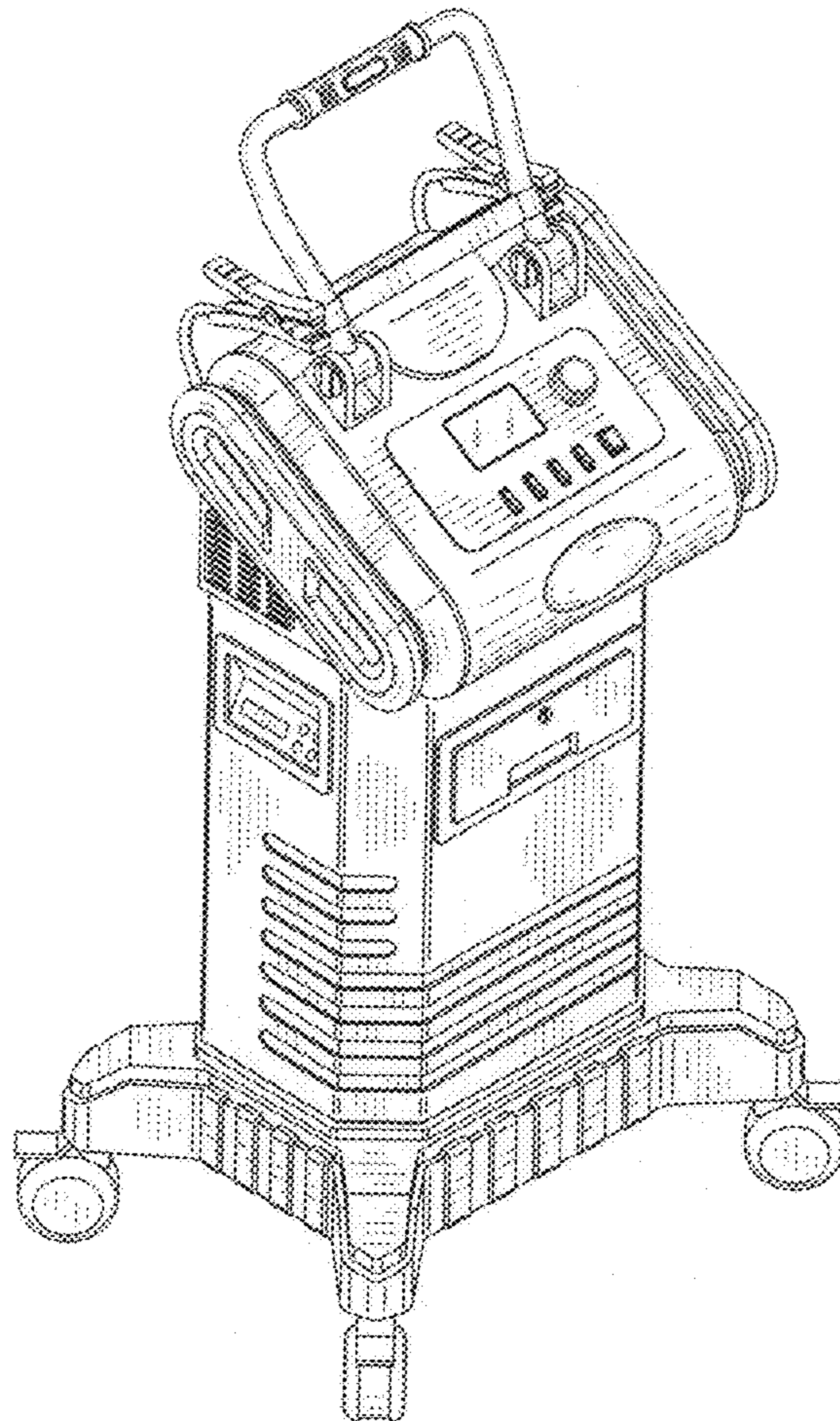
FIG. 10 is a left side view with the handle collapsed.

(56) **References Cited**

U.S. PATENT DOCUMENTS

D122,482 S *	9/1940	Fletcher	D13/109
D128,206 S *	7/1941	Fletcher	D13/109
D133,791 S *	9/1942	Sherman	D13/109
D134,818 S *	1/1943	Fletcher	D13/109
D153,967 S *	5/1949	Medlar	D13/107
D184,960 S *	4/1959	Raymond	D13/109
D240,836 S *	8/1976	Corvette	D13/109
D248,942 S *	8/1978	Kniss	D13/109

1 Claim, 9 Drawing Sheets



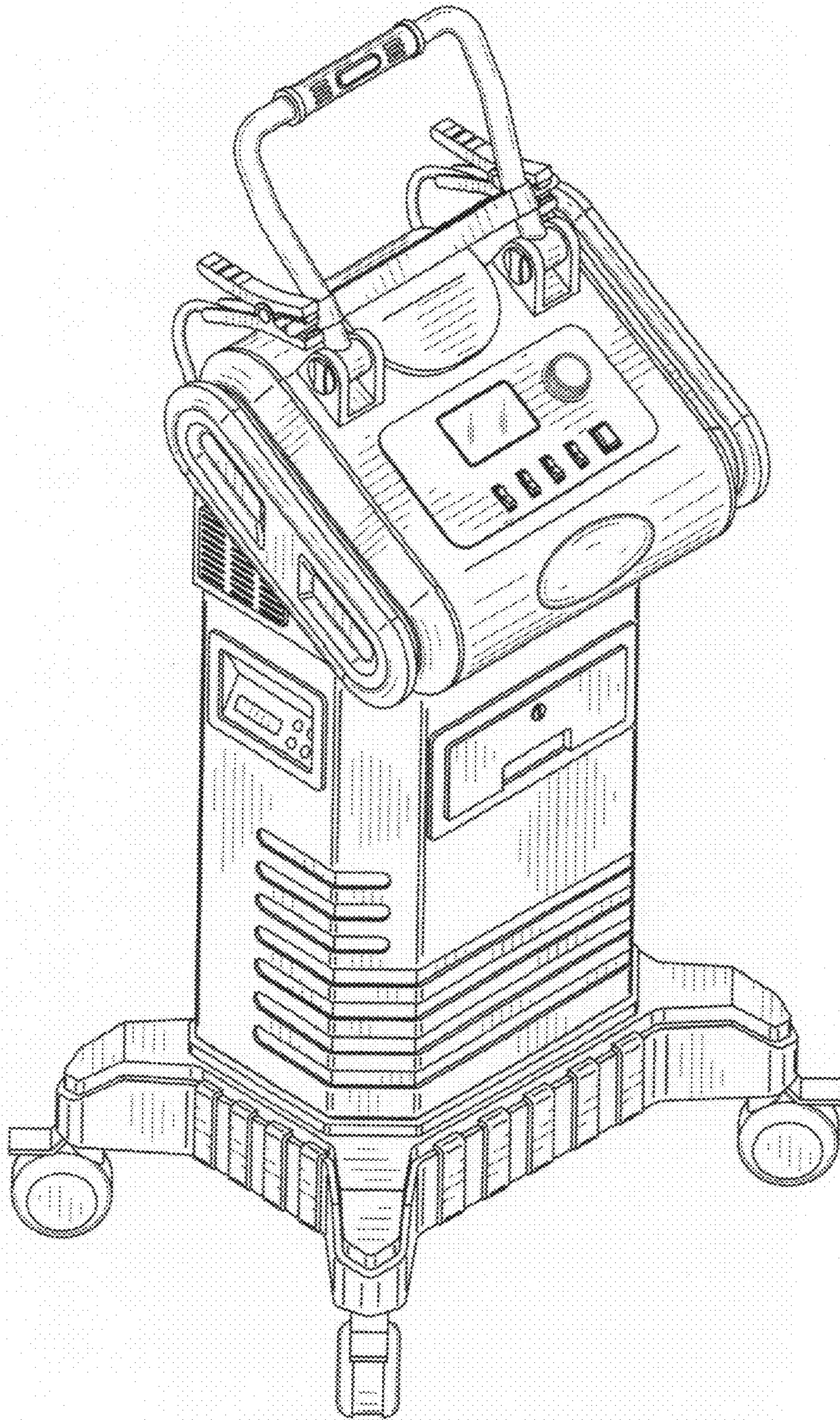


FIG. 1

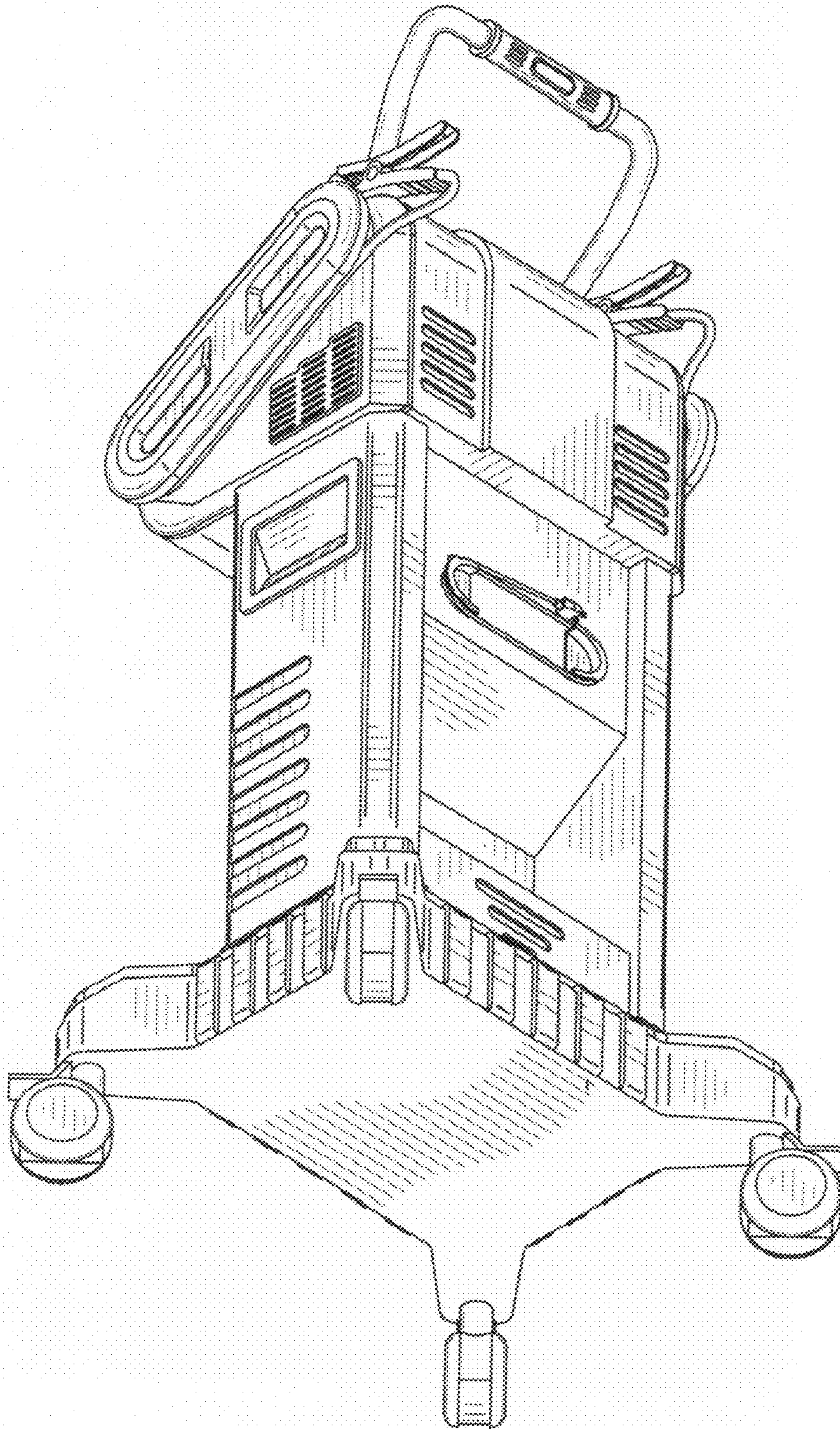


FIG. 2

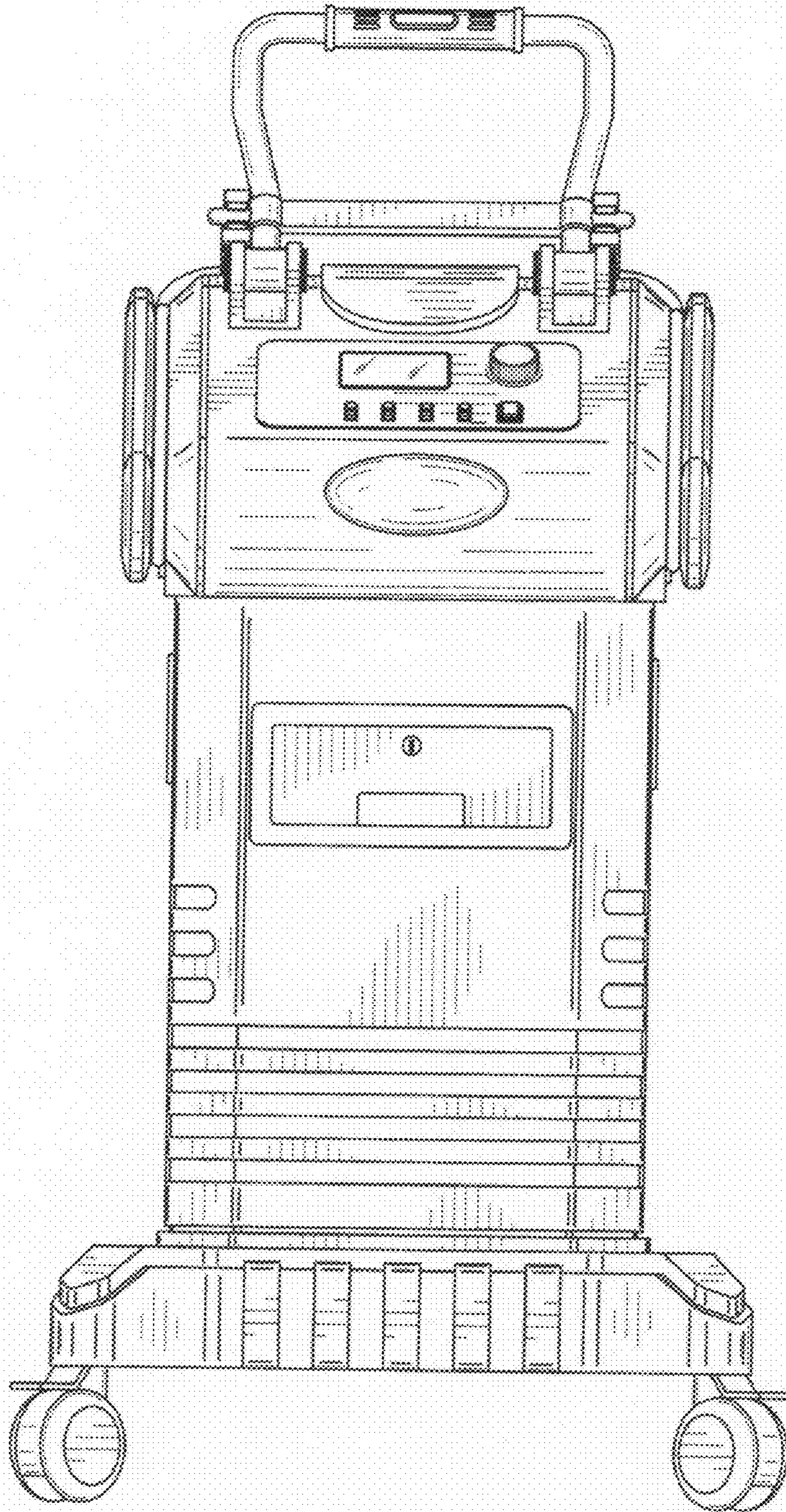


FIG. 3

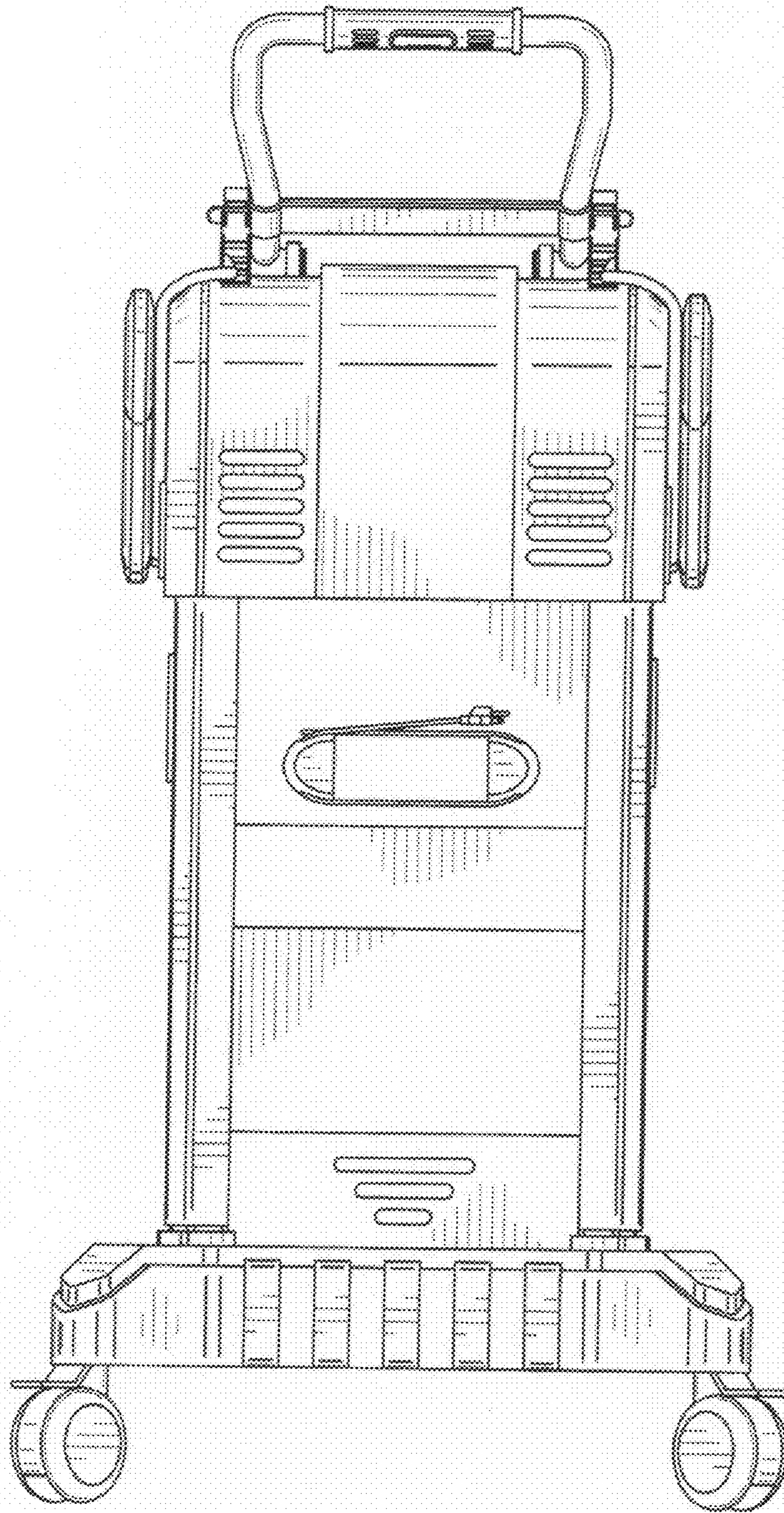


FIG. 4

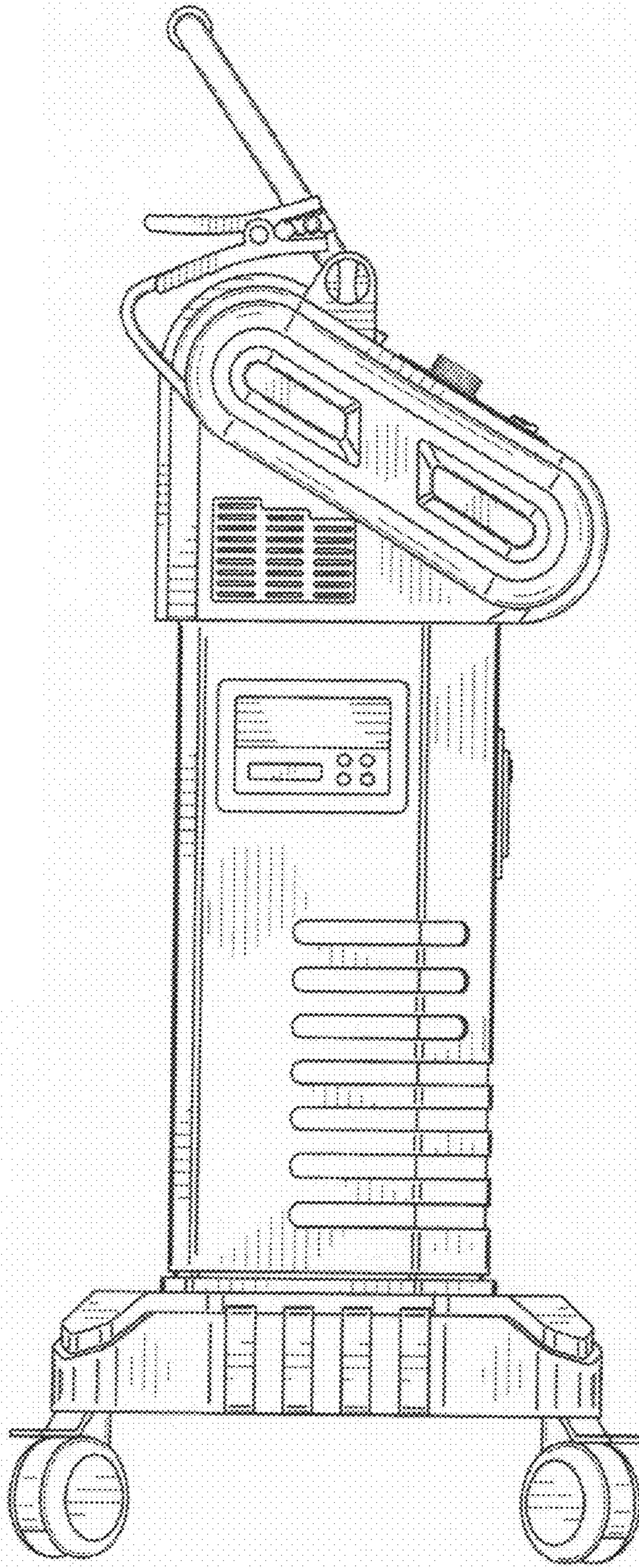


FIG. 5

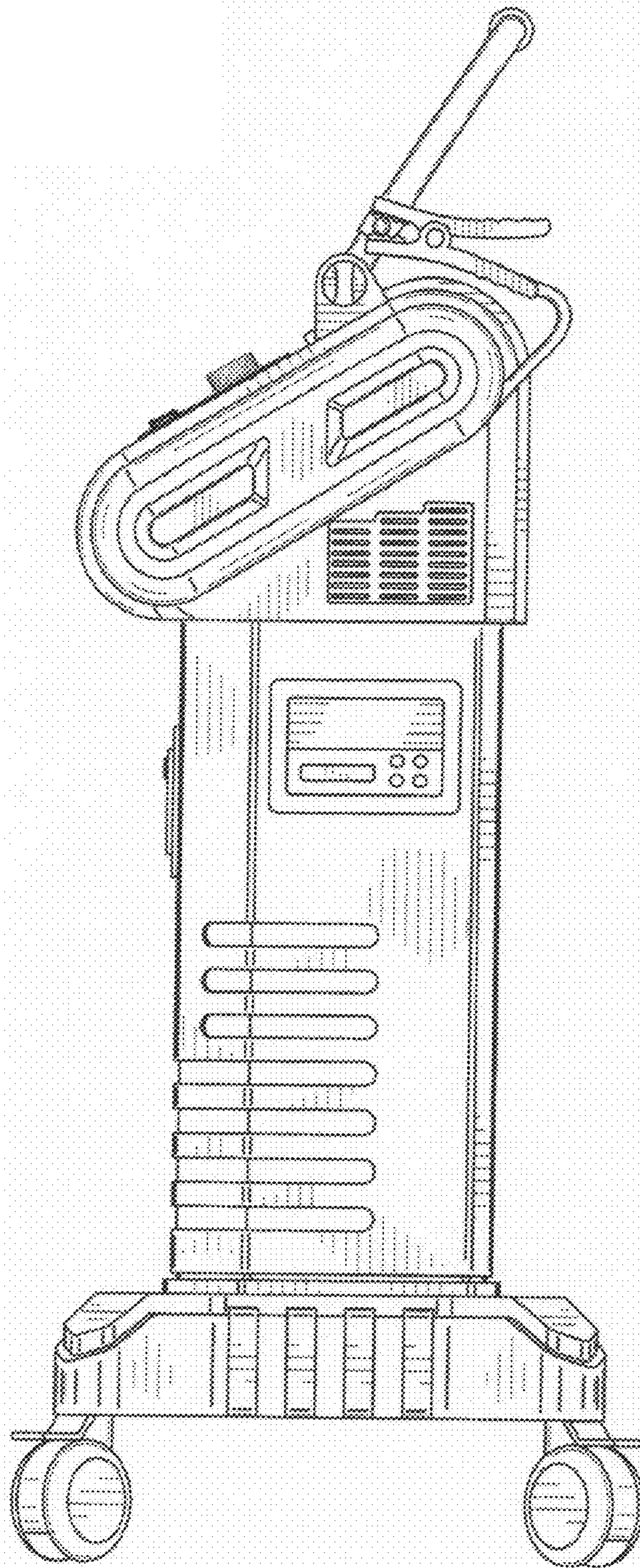


FIG. 6

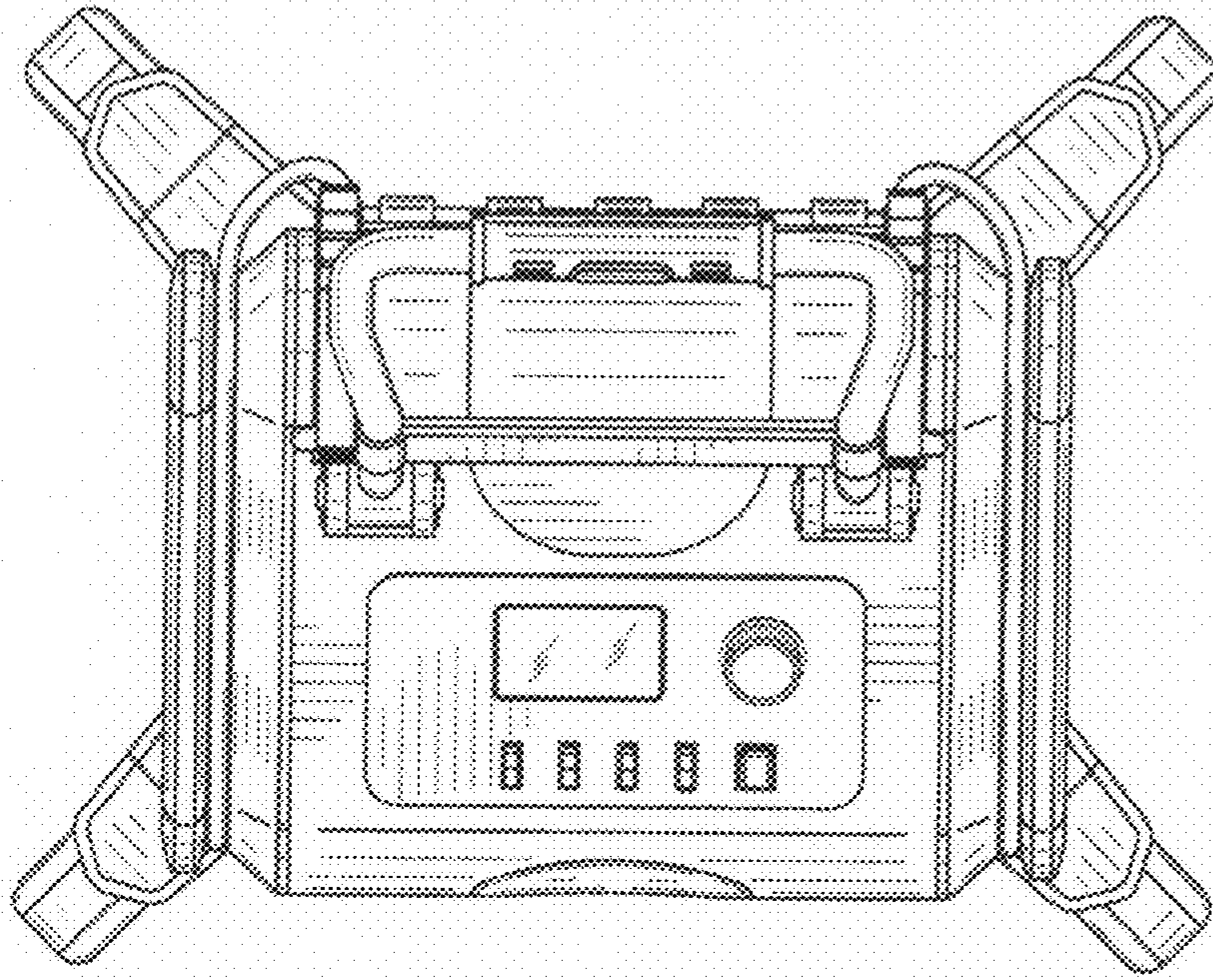


FIG. 7

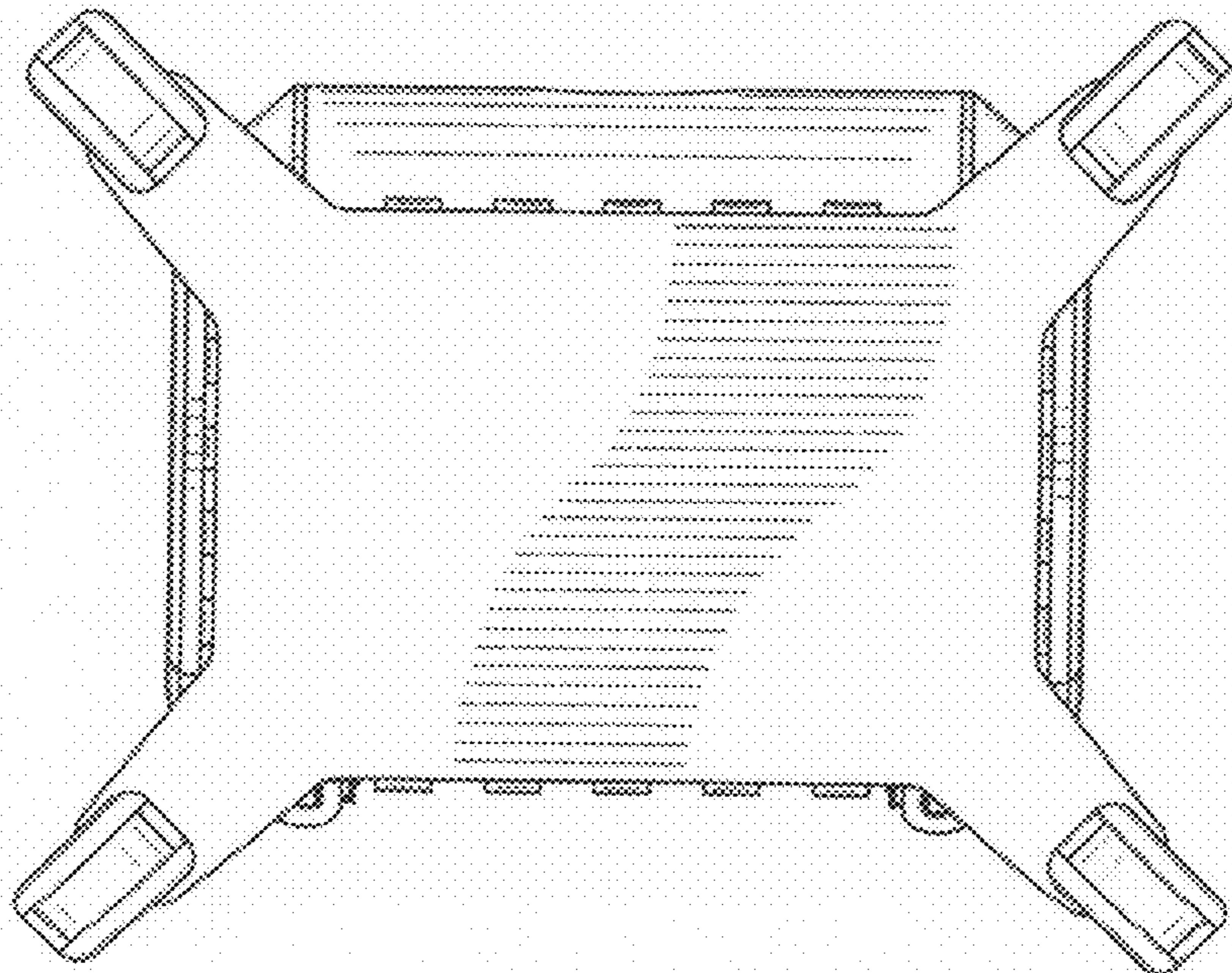


FIG. 8

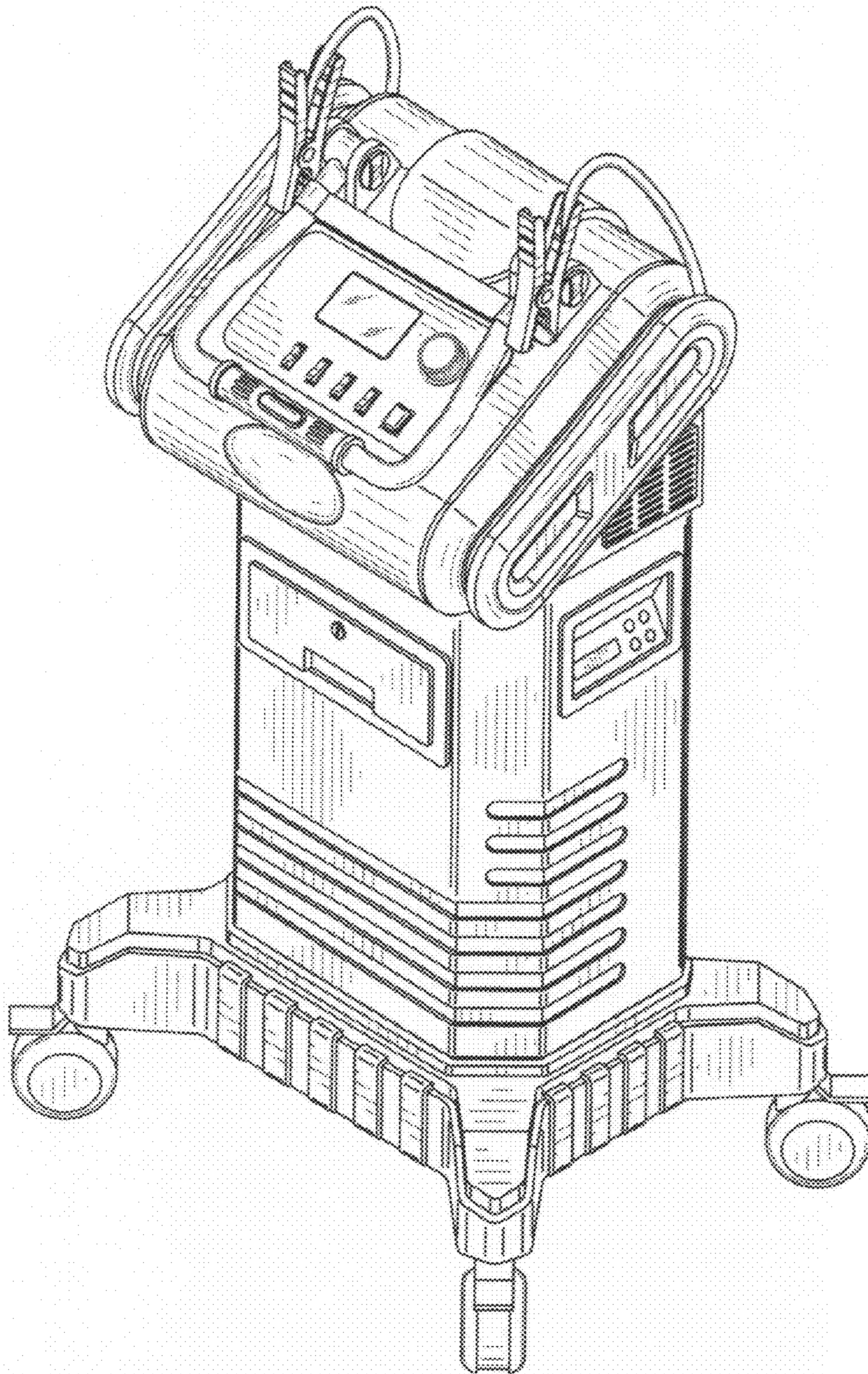


FIG. 9

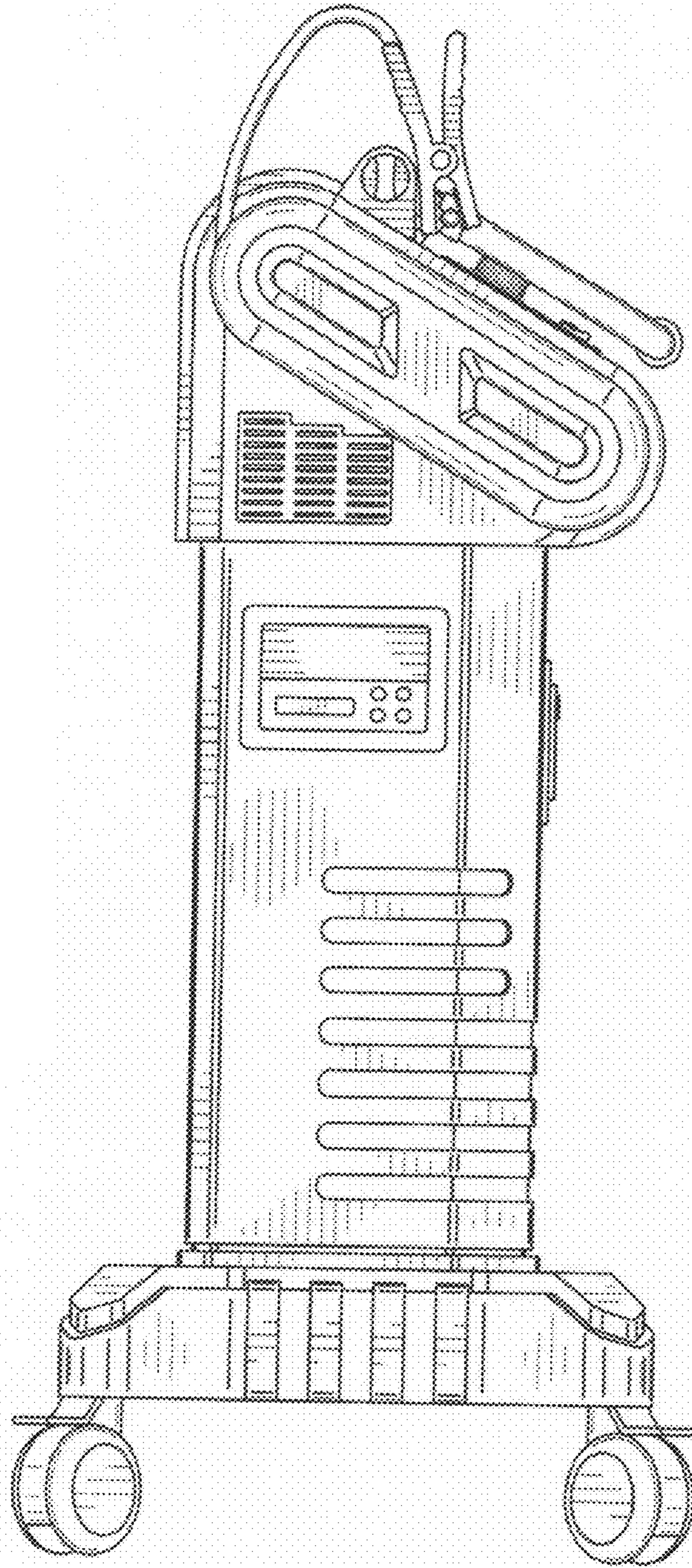


FIG. 10