



US00D671888S

(12) **United States Design Patent**
Dyson et al.

(10) **Patent No.:** **US D671,888 S**

(45) **Date of Patent:** **** Dec. 4, 2012**

(54) **ACCESSORY FOR VACUUM CLEANER**

(56) **References Cited**

(75) Inventors: **James Dyson**, Malmesbury (GB);
Timothy Nicholas Stickney,
Malmesbury (GB); **Peter David**
Gammack, Malmesbury (GB); **Michael**
John Cox, Malmesbury (GB)

(73) Assignee: **Dyson Limited**, Malmesbury, Wiltshire
(GB)

(**) Term: **14 Years**

(21) Appl. No.: **29/390,538**

(22) Filed: **Apr. 26, 2011**

(30) **Foreign Application Priority Data**

Oct. 28, 2010 (EM) 001242002

(51) **LOC (9) Cl.** **13-02**

(52) **U.S. Cl.** **D13/108**

(58) **Field of Classification Search** D13/106–110,
D13/118–119, 184, 199; D14/251, 253,
D14/432, 434; 320/107–115; D32/25, 31;
15/300.1, 344–345, 323

See application file for complete search history.

U.S. PATENT DOCUMENTS

D337,303	S	*	7/1993	Naft et al.	D13/108
D559,484	S	*	1/2008	Fjellman	D32/31
D559,485	S	*	1/2008	Fjellman	D32/31
D566,352	S	*	4/2008	Ågren et al.	D32/31
D613,685	S	*	4/2010	Ju et al.	D13/108
D639,237	S	*	6/2011	Lee et al.	D13/108
D639,735	S	*	6/2011	Lee et al.	D13/108
D640,194	S	*	6/2011	Kim et al.	D13/108
D664,918	S	*	8/2012	Brandys et al.	D13/107
D664,919	S	*	8/2012	Brandys et al.	D13/107
2012/0181984	A1	*	7/2012	Okabayashi et al.	320/109

* cited by examiner

Primary Examiner — Rosemary K Tarcza

(74) *Attorney, Agent, or Firm* — Morrison & Foerster LLP

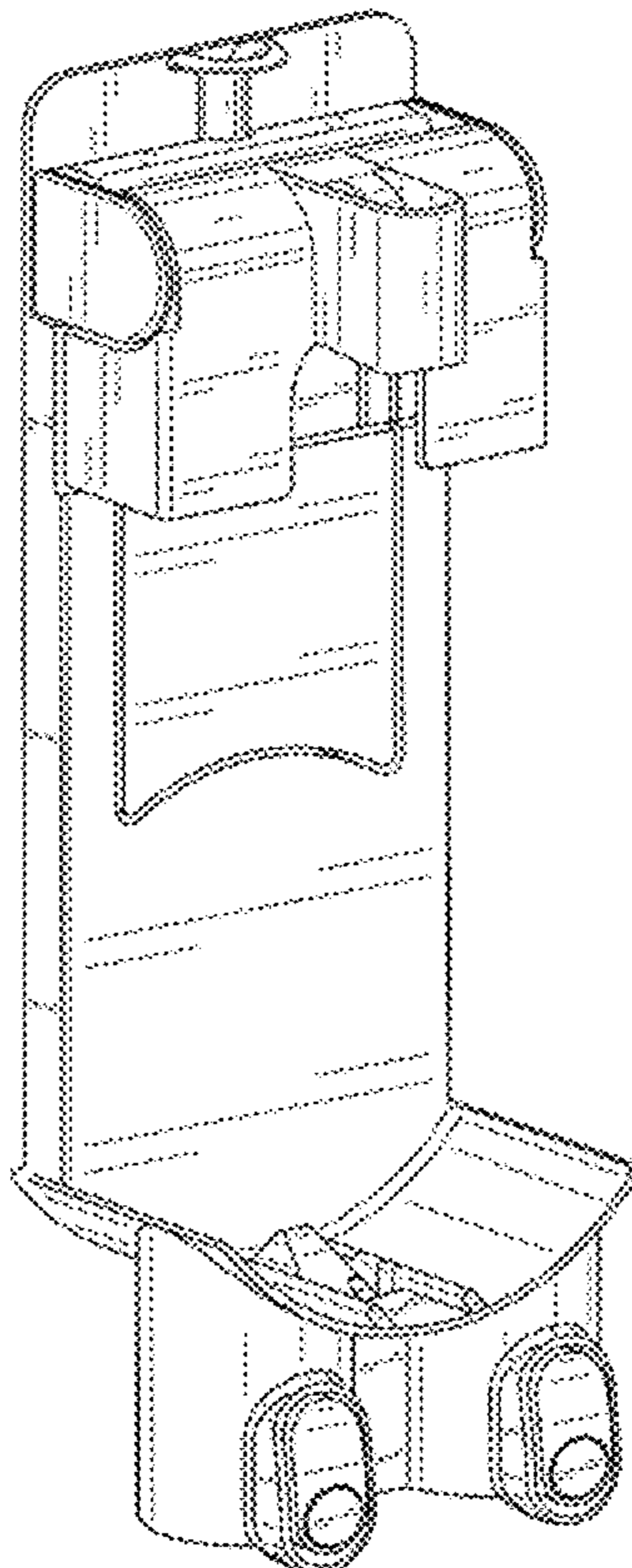
(57) **CLAIM**

We claim the ornamental design for an accessory for vacuum cleaner, as shown and described.

DESCRIPTION

FIG. 1 is a perspective view of an accessory for vacuum cleaner showing our new design; FIG. 2 is a front view thereof; FIG. 3 is a rear view thereof; FIG. 4 is a side view thereof; FIG. 5 is a side view from the side opposite that of FIG. 4; FIG. 6 is a plan view thereof from above; and, FIG. 7 is a plan view thereof from below.

1 Claim, 4 Drawing Sheets



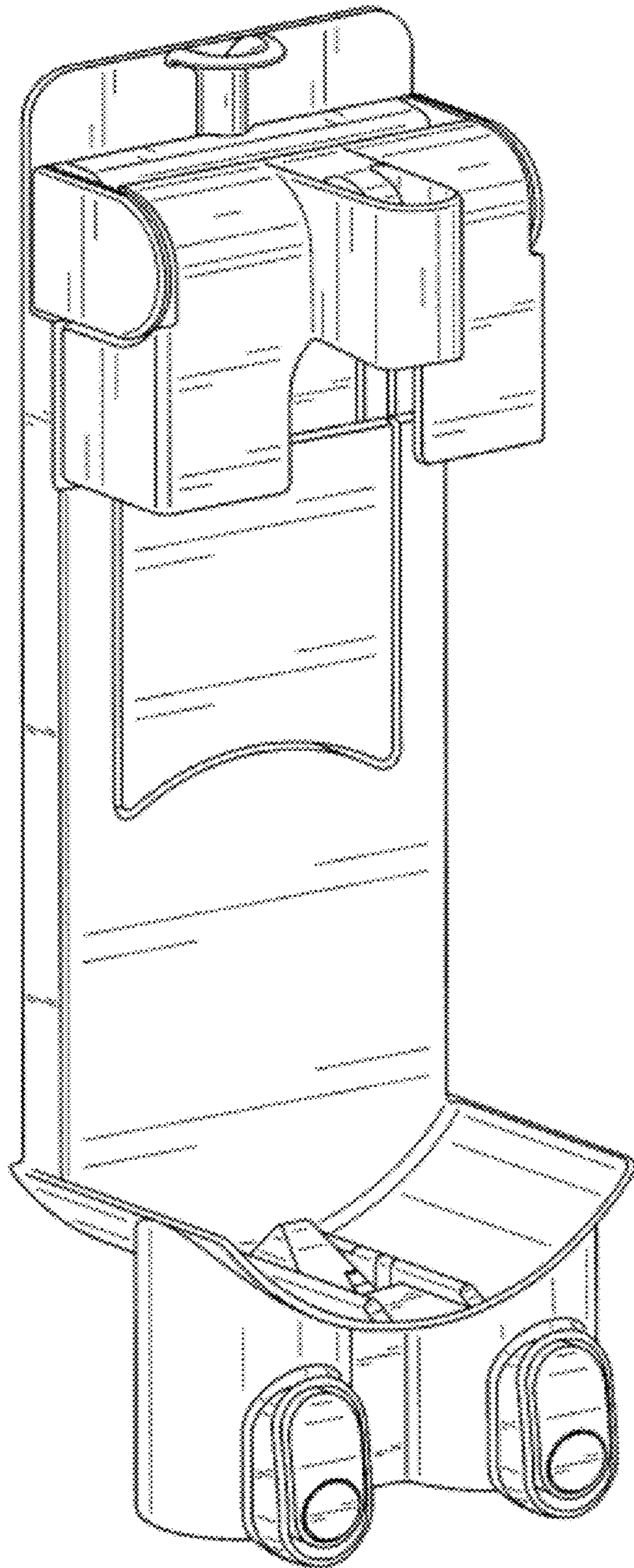


FIG. 1

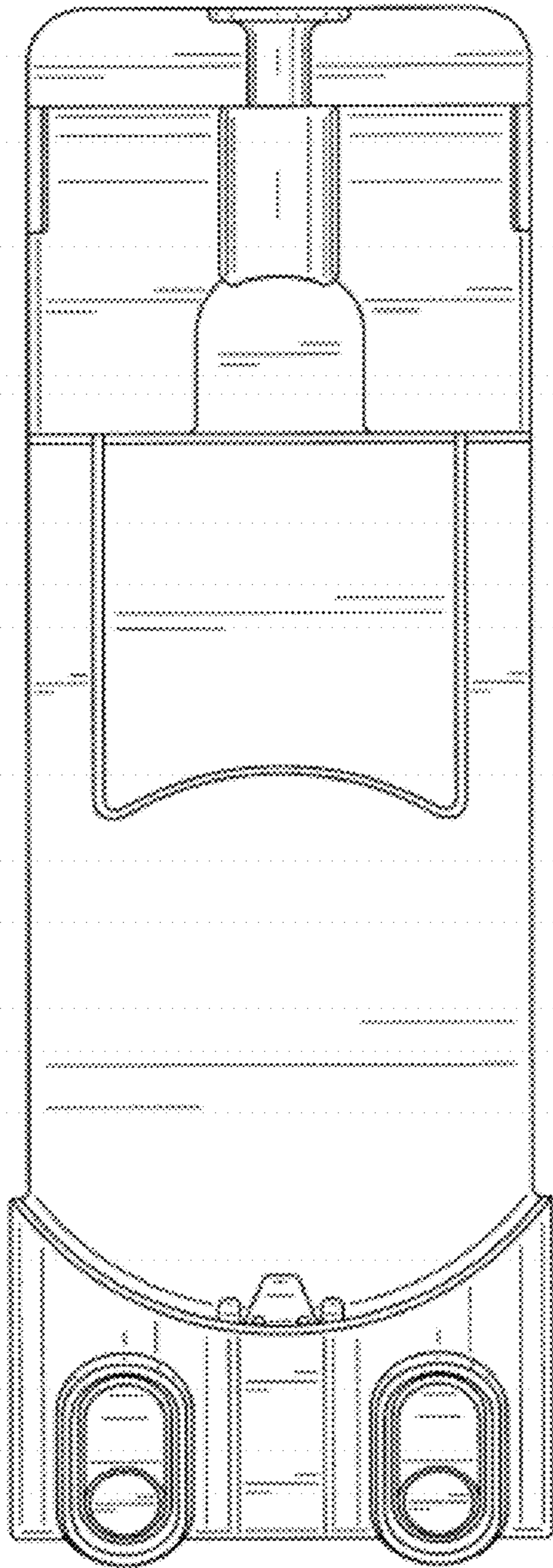


FIG. 2

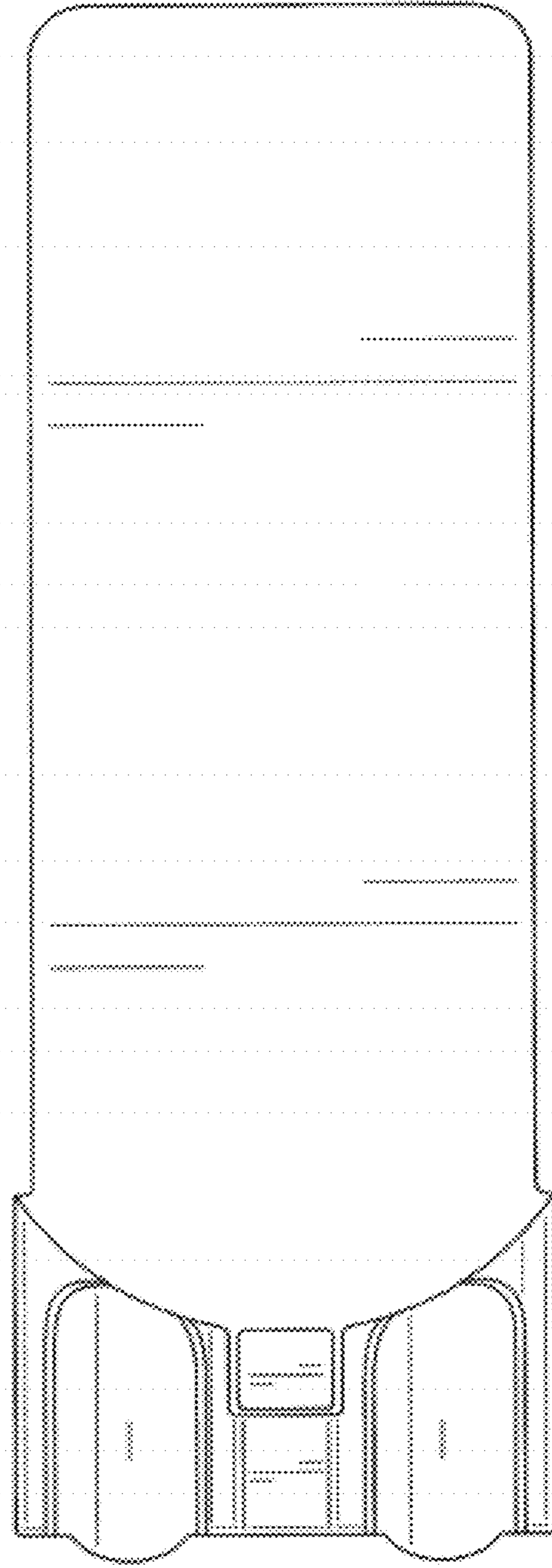


FIG. 3

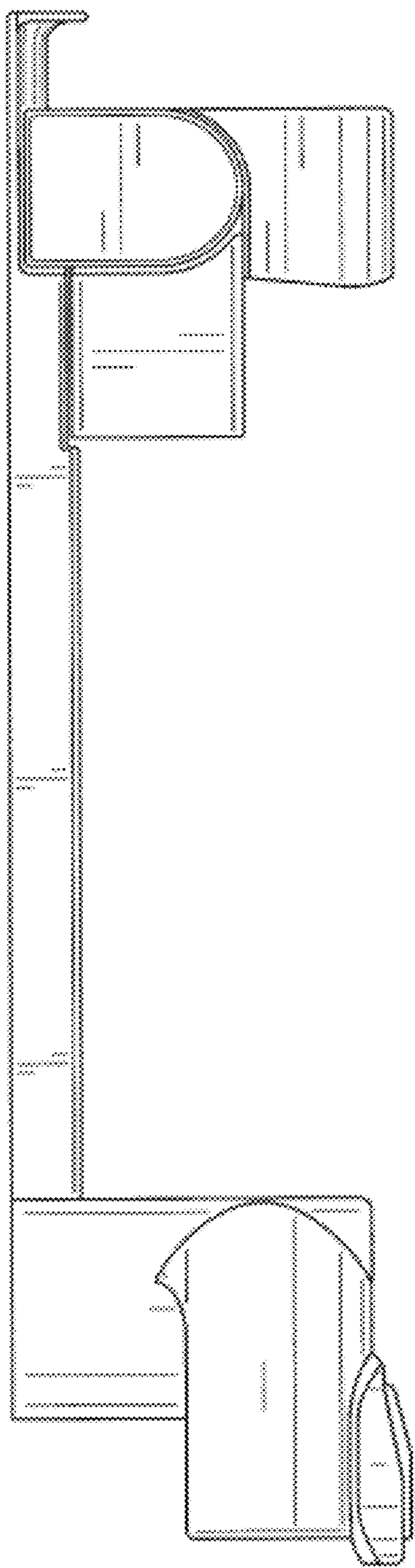


FIG. 4

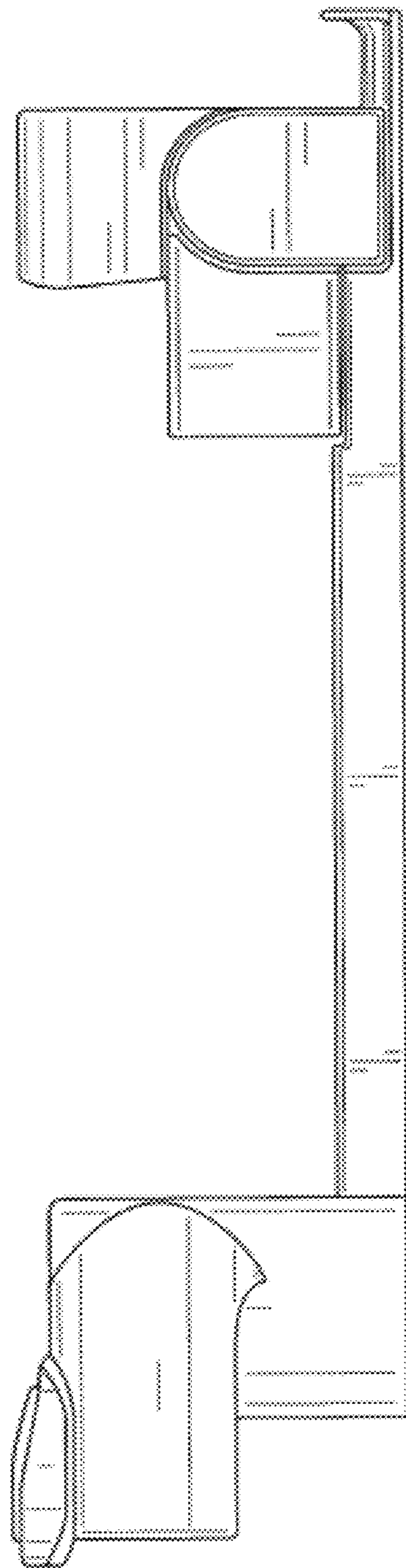


FIG. 5

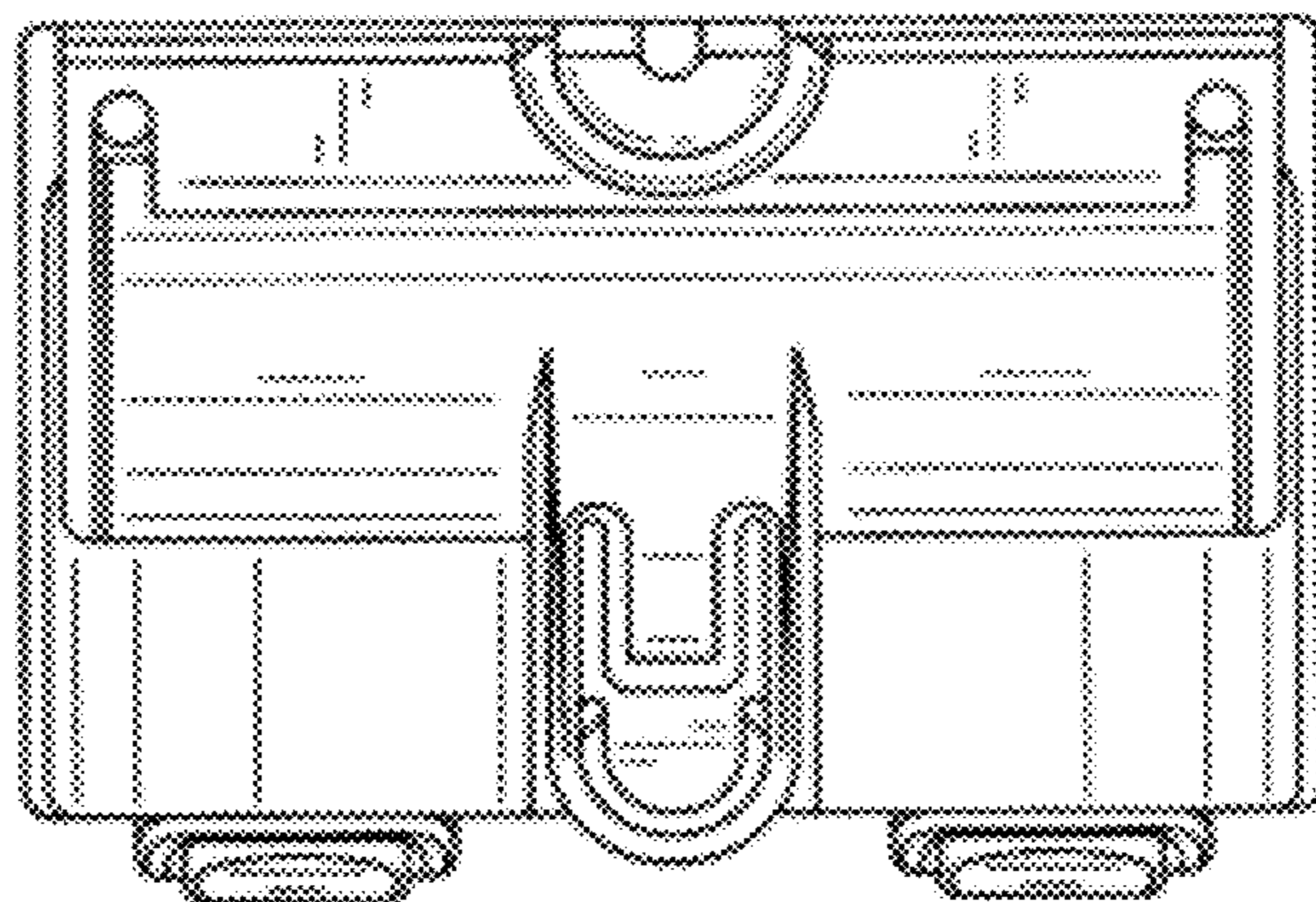


FIG. 6

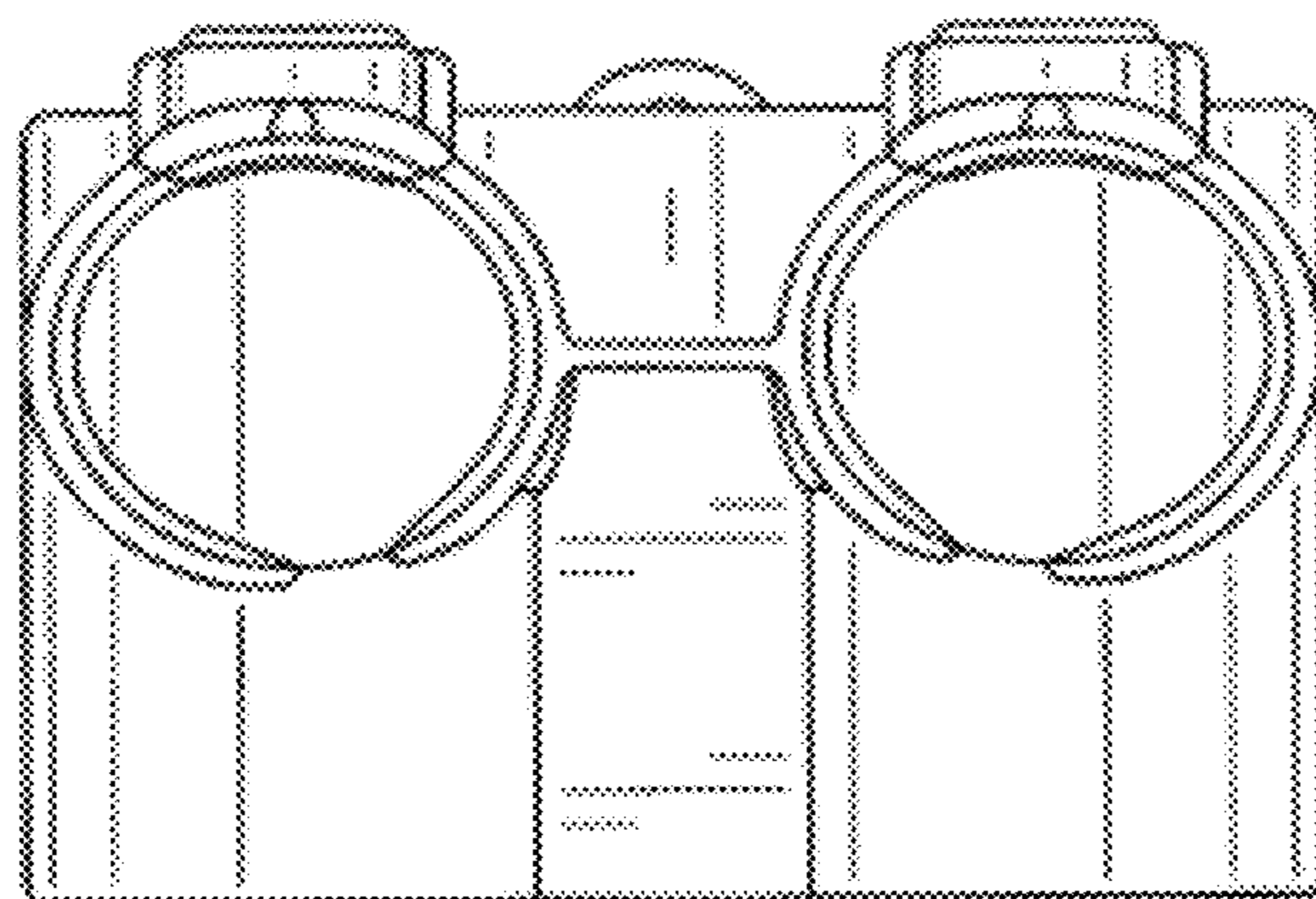


FIG. 7