



US00D671886S

(12) **United States Design Patent**
Schacht

(10) **Patent No.:** **US D671,886 S**
(45) **Date of Patent:** **** Dec. 4, 2012**

(54) **GRAPHIC DISPLAY DEVICE**
(75) Inventor: **Lydia Schacht**, Lohfelden (DE)
(73) Assignee: **SMA Solar Technology AG**, Niestetal (DE)
(**) Term: **14 Years**
(21) Appl. No.: **29/415,656**
(22) Filed: **Mar. 13, 2012**

D493,768 S * 8/2004 Lam D13/102
D504,889 S * 5/2005 Andre et al. D14/341
D567,170 S * 4/2008 Chung et al. D13/102
D599,286 S * 9/2009 Horito et al. D13/102
D630,578 S * 1/2011 Ekmekdje D13/102
D645,401 S * 9/2011 Kurata D13/102
D650,736 S * 12/2011 Wharram D13/102
D658,188 S * 4/2012 Diebel D14/440

* cited by examiner

Primary Examiner — Derrick Holland
(74) *Attorney, Agent, or Firm* — Eschweiler & Associates, LLC

(30) **Foreign Application Priority Data**
Sep. 16, 2011 (EP) 001918889-0001
Sep. 16, 2011 (EP) 001918889-0002
(51) **LOC (9) Cl.** **13-02**
(52) **U.S. Cl.** **D13/102**
(58) **Field of Classification Search** D13/102,
D13/101, 103, 107, 108, 110, 184, 199; D14/125,
D14/126, 203.7, 203.8, 440, 447; 136/206,
136/243, 244, 245, 252; 320/101, 102, 114,
320/115, 120
See application file for complete search history.

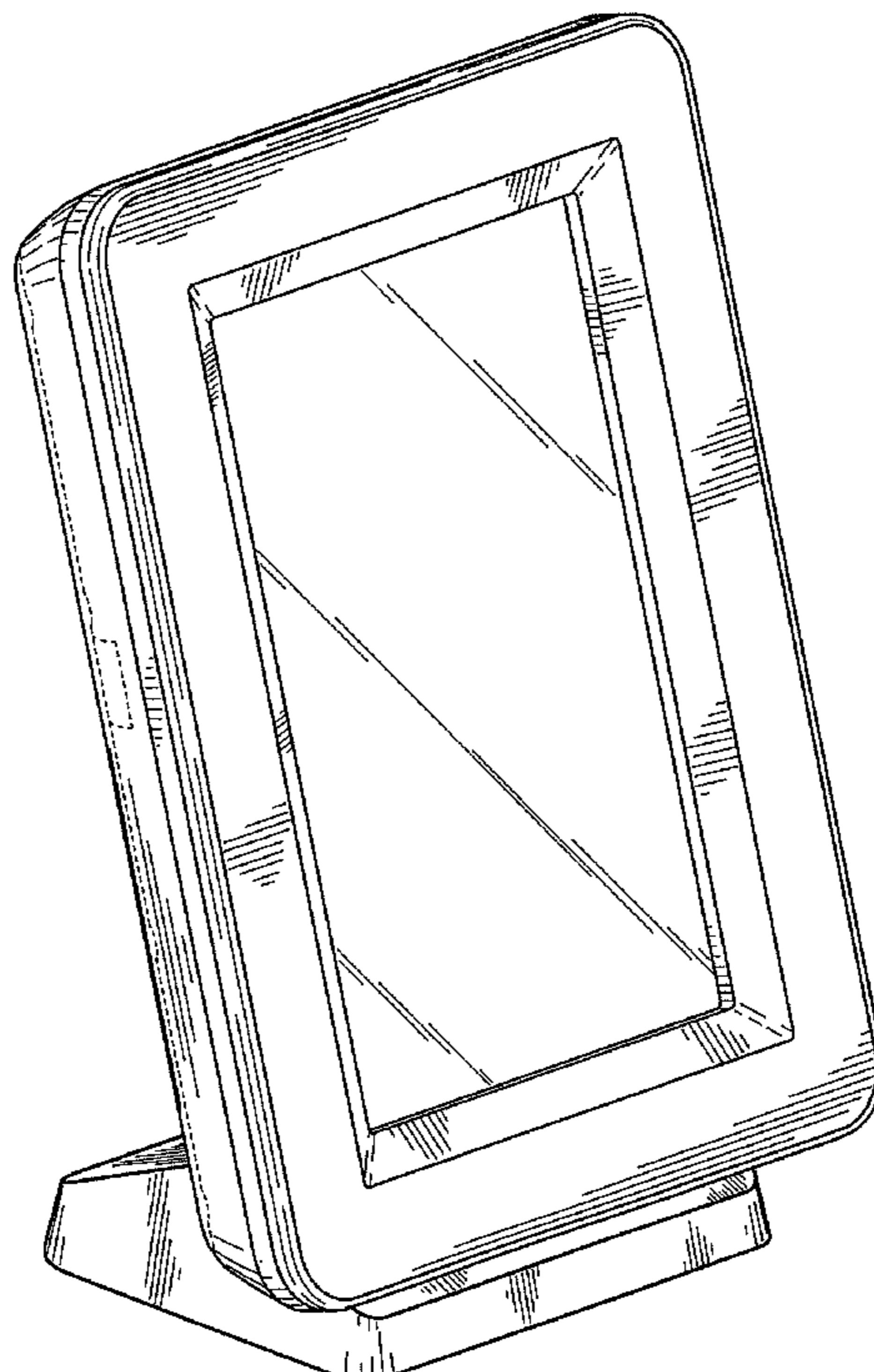
(57) **CLAIM**
The ornamental design for a graphic display device, as shown and described.

DESCRIPTION

FIG. 1 is a perspective view of a graphic display device showing my new design;
FIG. 2 is a front elevation view thereof;
FIG. 3 is a rear elevation view thereof;
FIG. 4 is a left side elevation view thereof;
FIG. 5 is a right side elevation view thereof;
FIG. 6 is a top plan view thereof; and,
FIG. 7 is a bottom plan view thereof.
The broken lines shown represent unclaimed subject matter and form no part of the claimed design.

(56) **References Cited**
U.S. PATENT DOCUMENTS
5,522,943 A * 6/1996 Spencer et al. 136/245
D391,921 S * 3/1998 Zimmer et al. D13/102

1 Claim, 4 Drawing Sheets



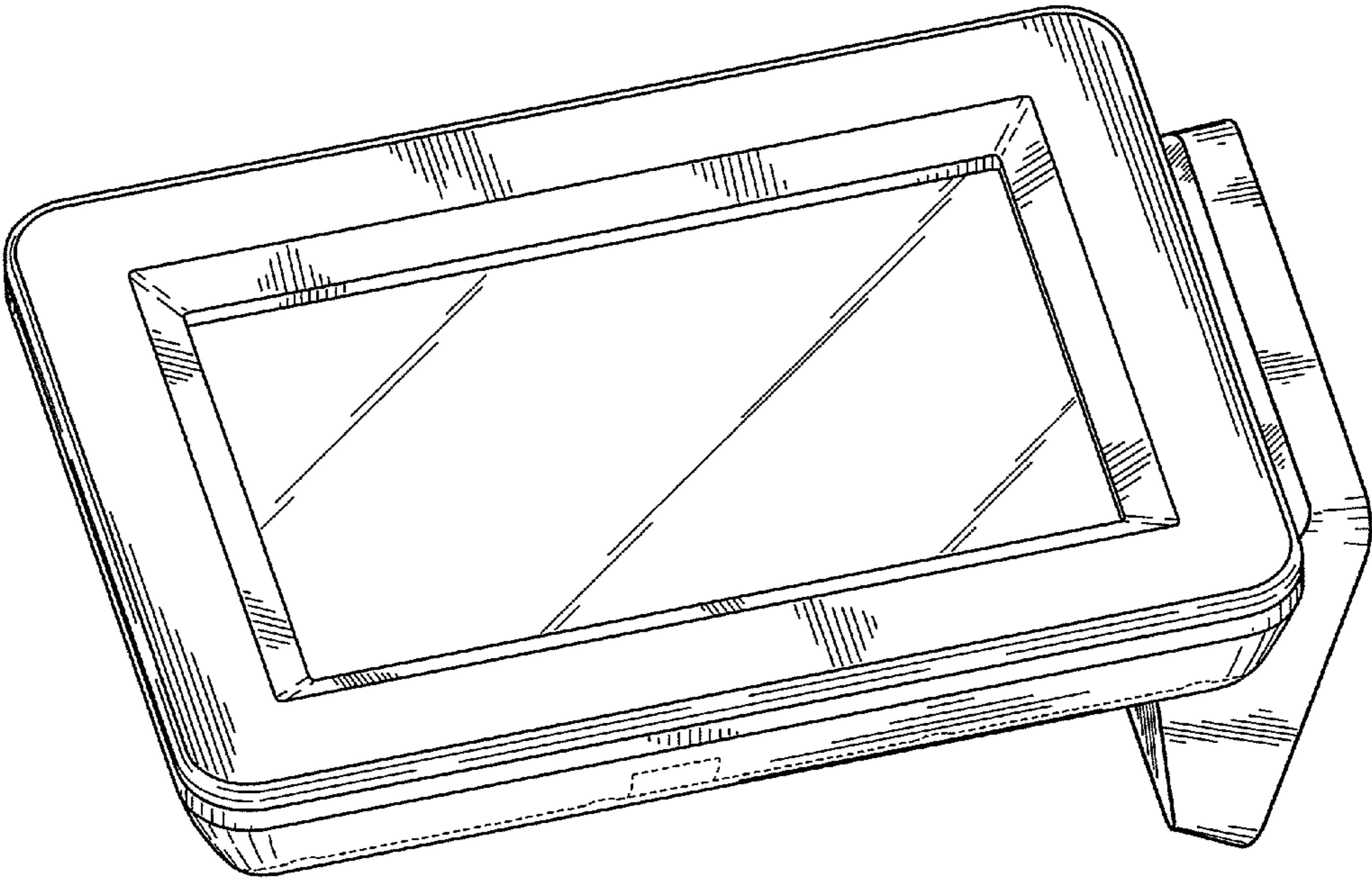


Fig. 1

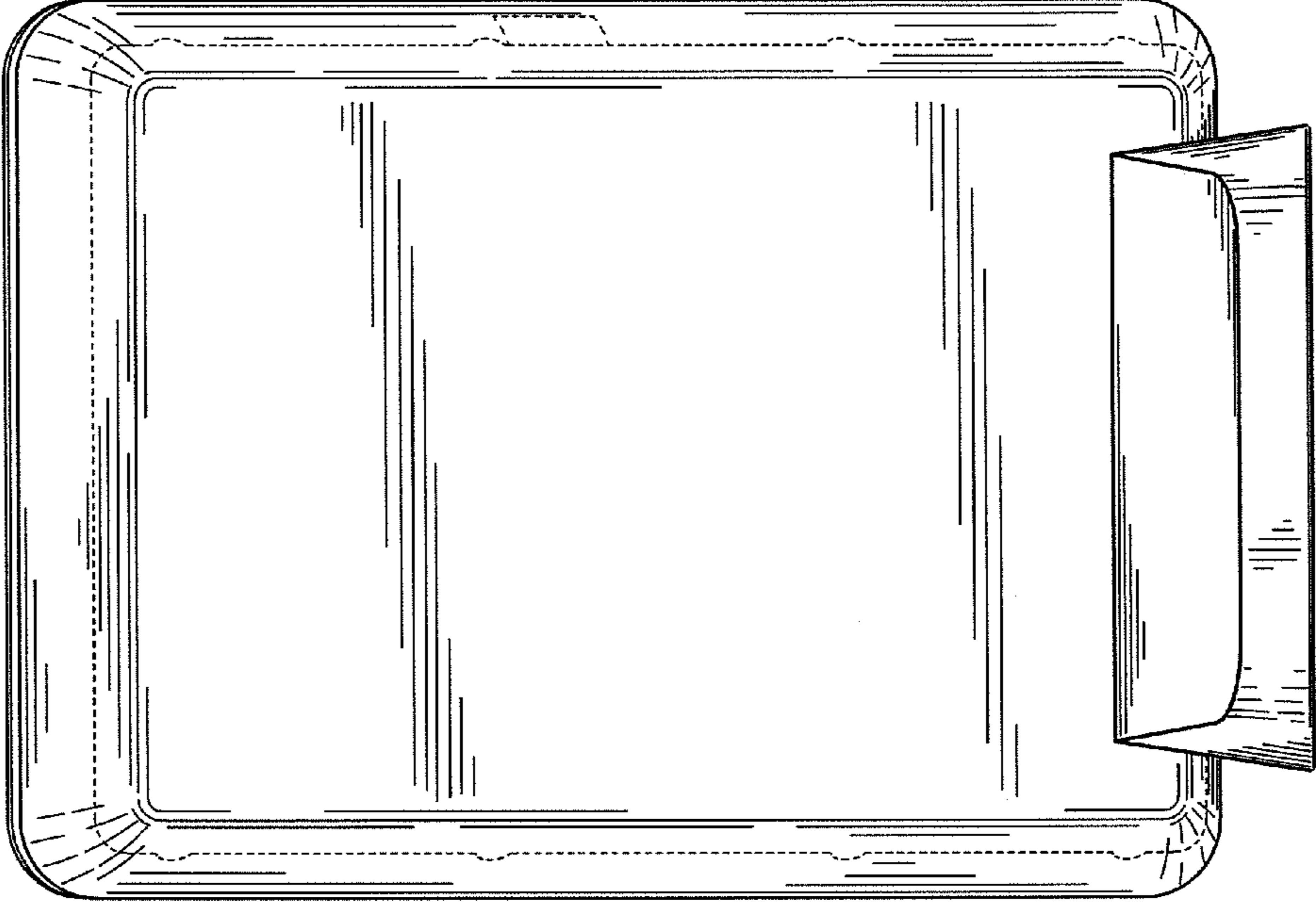


Fig. 3

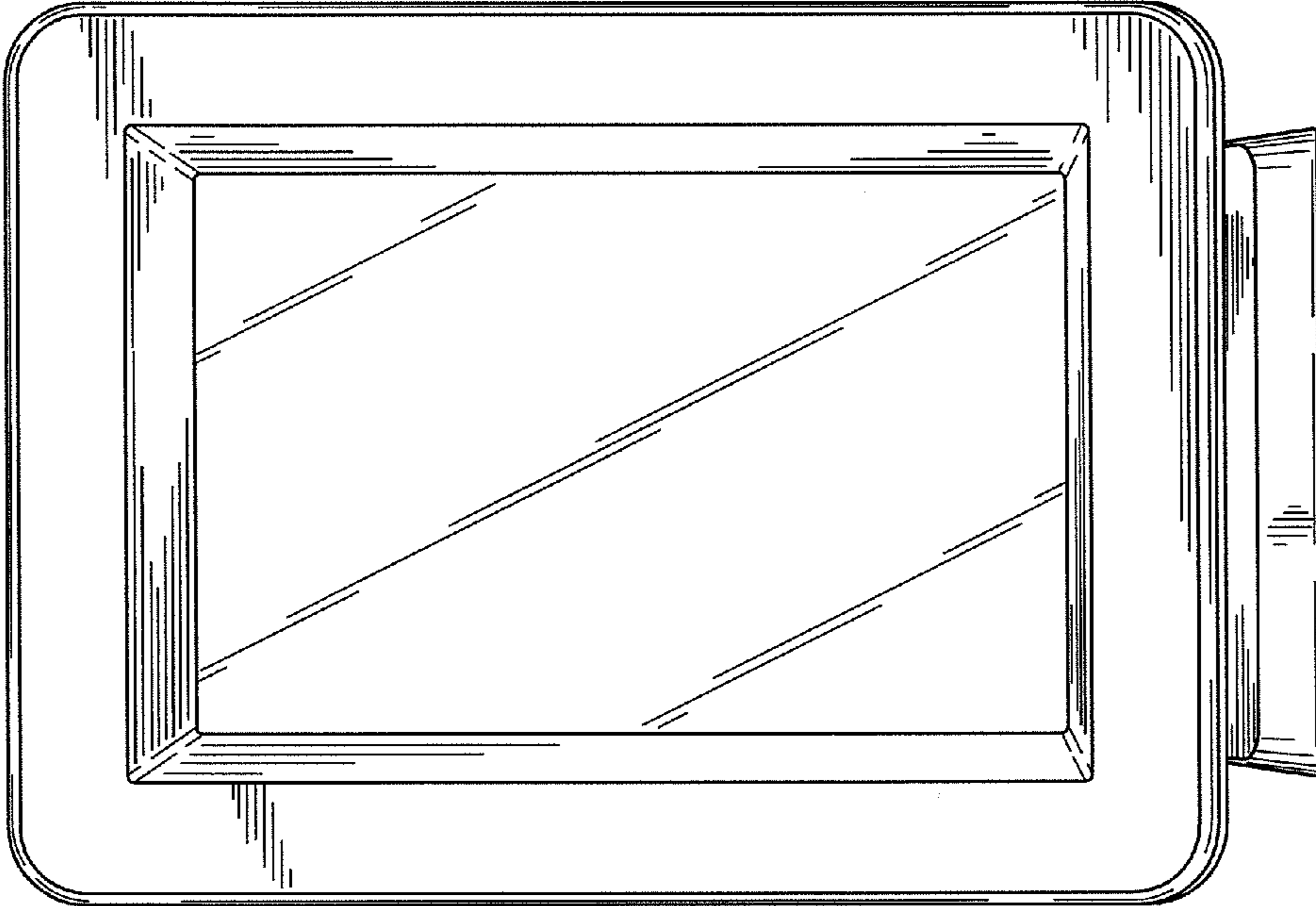


Fig. 2

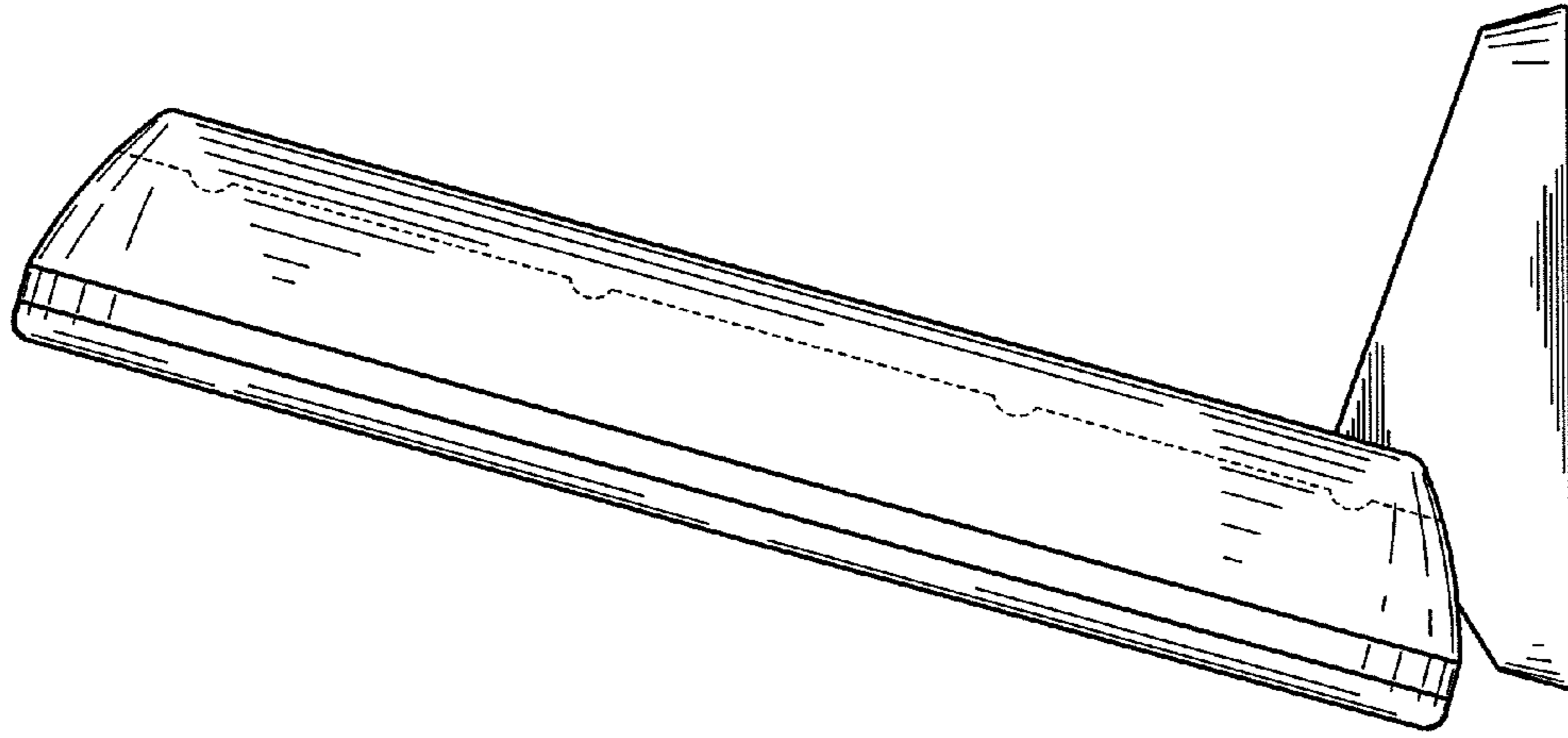


Fig. 5

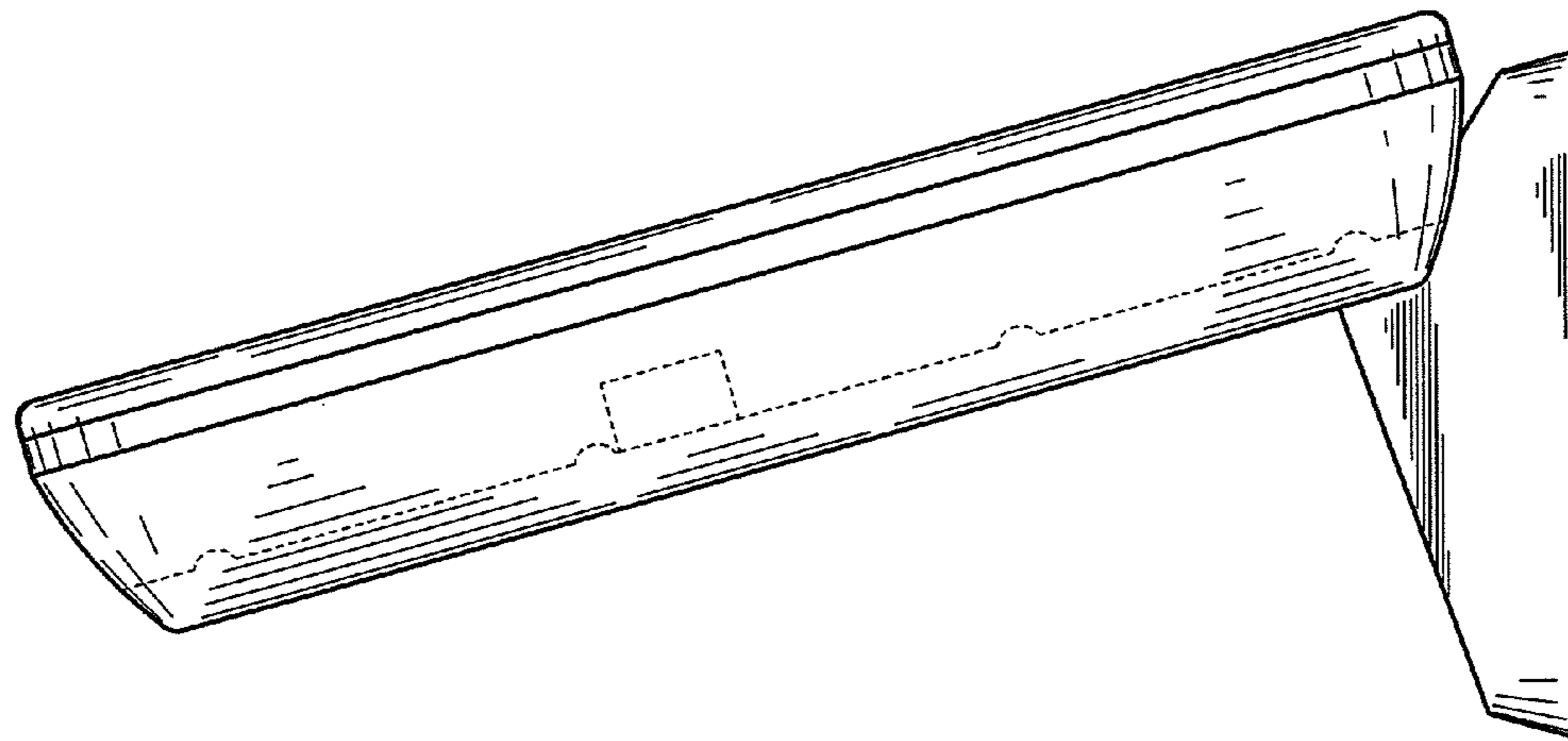


Fig. 4

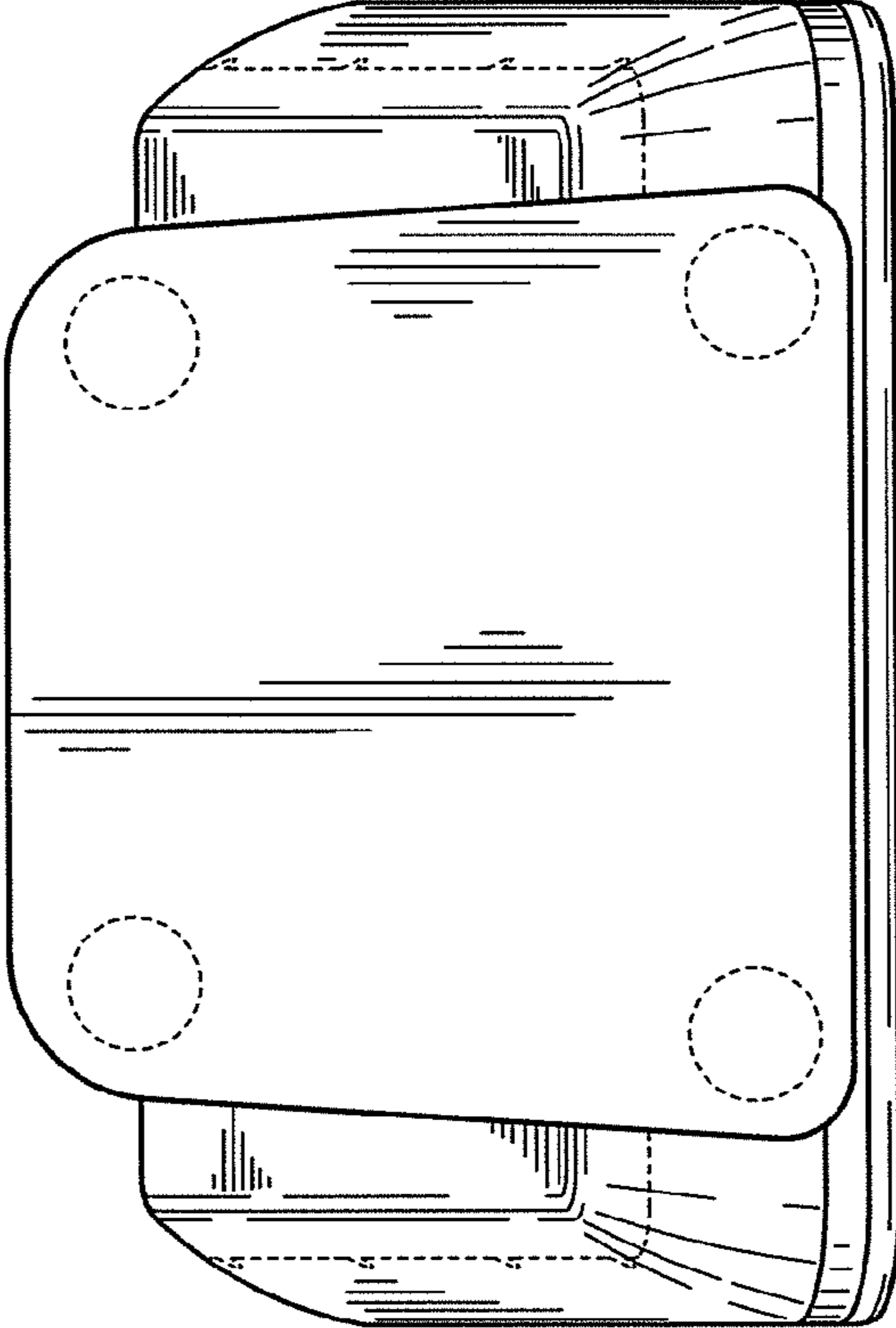


Fig. 7

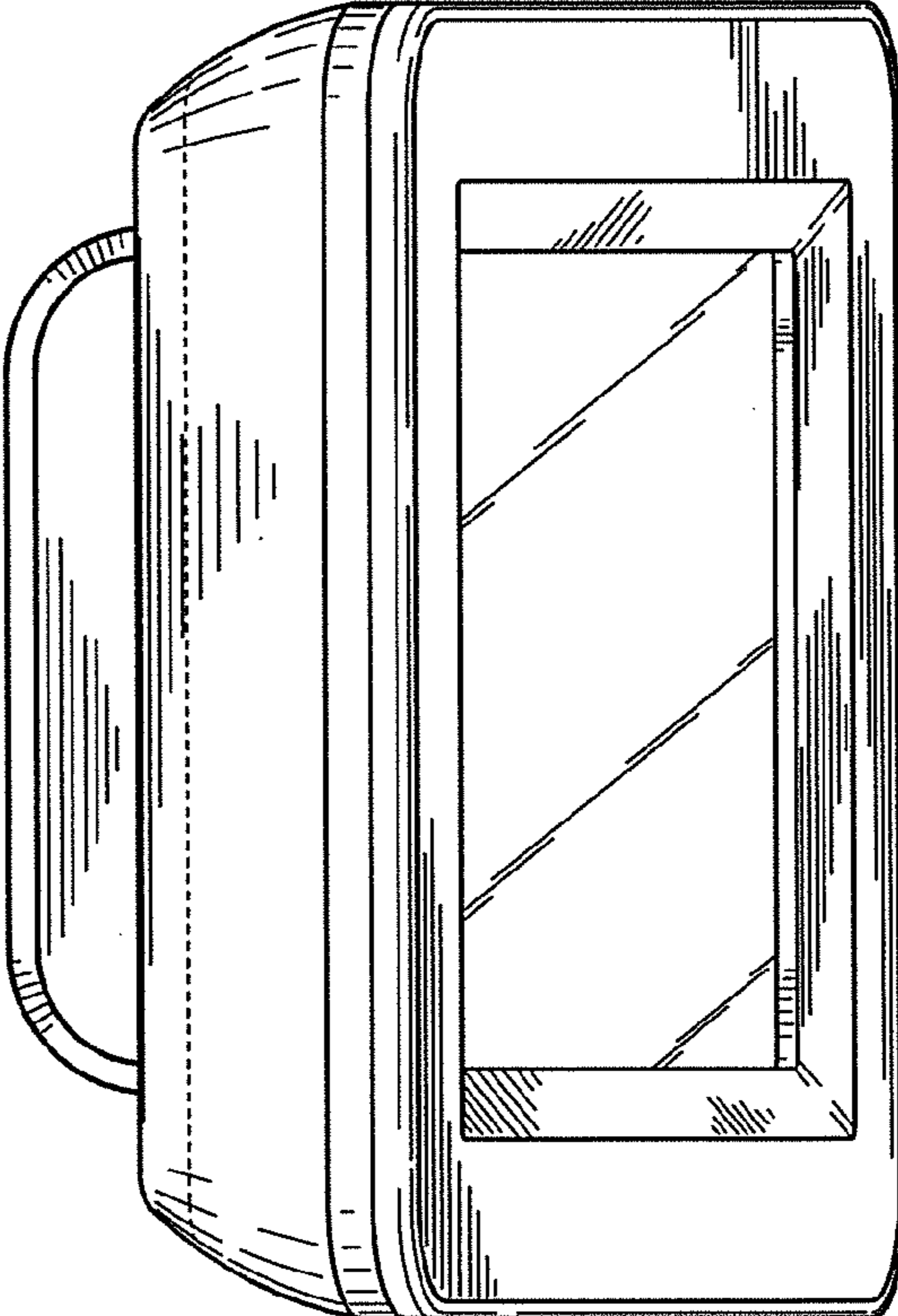


Fig. 6