

US00D671883S

(12) **United States Design Patent**  
**Farber**

(10) **Patent No.:** **US D671,883 S**  
(45) **Date of Patent:** **\*\* Dec. 4, 2012**

(54) **TRUNK MOUNT BICYCLE CARRIER**

(75) Inventor: **Robert Farber**, Montreal (CA)

(73) Assignee: **Swiss Cargo Industries S.A. Inc.**, St. Jean, Quebec (CA)

(\*\*) Term: **14 Years**

(21) Appl. No.: **29/402,933**

(22) Filed: **Sep. 29, 2011**

(51) **LOC (9) Cl.** ..... **12-11**

(52) **U.S. Cl.** ..... **D12/408**

(58) **Field of Classification Search** ..... D12/406-408,  
D12/412, 115, 120; 224/412, 488, 489, 512-514,  
224/42.12, 400, 493, 497, 500, 42.13, 924,  
224/455.1, 522-537; 280/202, 288.4, 304.5;  
211/5, 17-22

See application file for complete search history.

(56) **References Cited**

**U.S. PATENT DOCUMENTS**

3,912,139	A *	10/1975	Bowman	.....	224/924
D329,035	S *	9/1992	Blackburn et al.	.....	D12/408
5,211,323	A *	5/1993	Chimenti et al.	.....	224/314
5,305,936	A *	4/1994	Nusbaum	.....	224/324
5,826,767	A *	10/1998	Chimenti et al.	.....	224/324
6,019,266	A *	2/2000	Johnson	.....	224/534
D447,997	S *	9/2001	Ferman et al.	.....	D12/408
6,345,748	B1 *	2/2002	Chimenti et al.	.....	224/324
6,467,664	B2 *	10/2002	Robins et al.	.....	224/537
6,772,927	B2 *	8/2004	Bogoslofski	.....	224/324
7,118,016	B1 *	10/2006	Kolda	.....	224/500

7,810,685	B2 *	10/2010	Bove et al.	.....	224/324
D637,137	S *	5/2011	Weaver et al.	.....	D12/408
7,975,888	B2 *	7/2011	Settelmayer	.....	224/497
8,025,196	B2 *	9/2011	Flaherty et al.	.....	224/533
D656,080	S *	3/2012	Budd et al.	.....	D12/408
2005/0258209	A1 *	11/2005	Wang	.....	224/500

\* cited by examiner

*Primary Examiner* — Susan M Lee

*Assistant Examiner* — Linda G. Brooks

(74) *Attorney, Agent, or Firm* — Husch Blackwell LLP

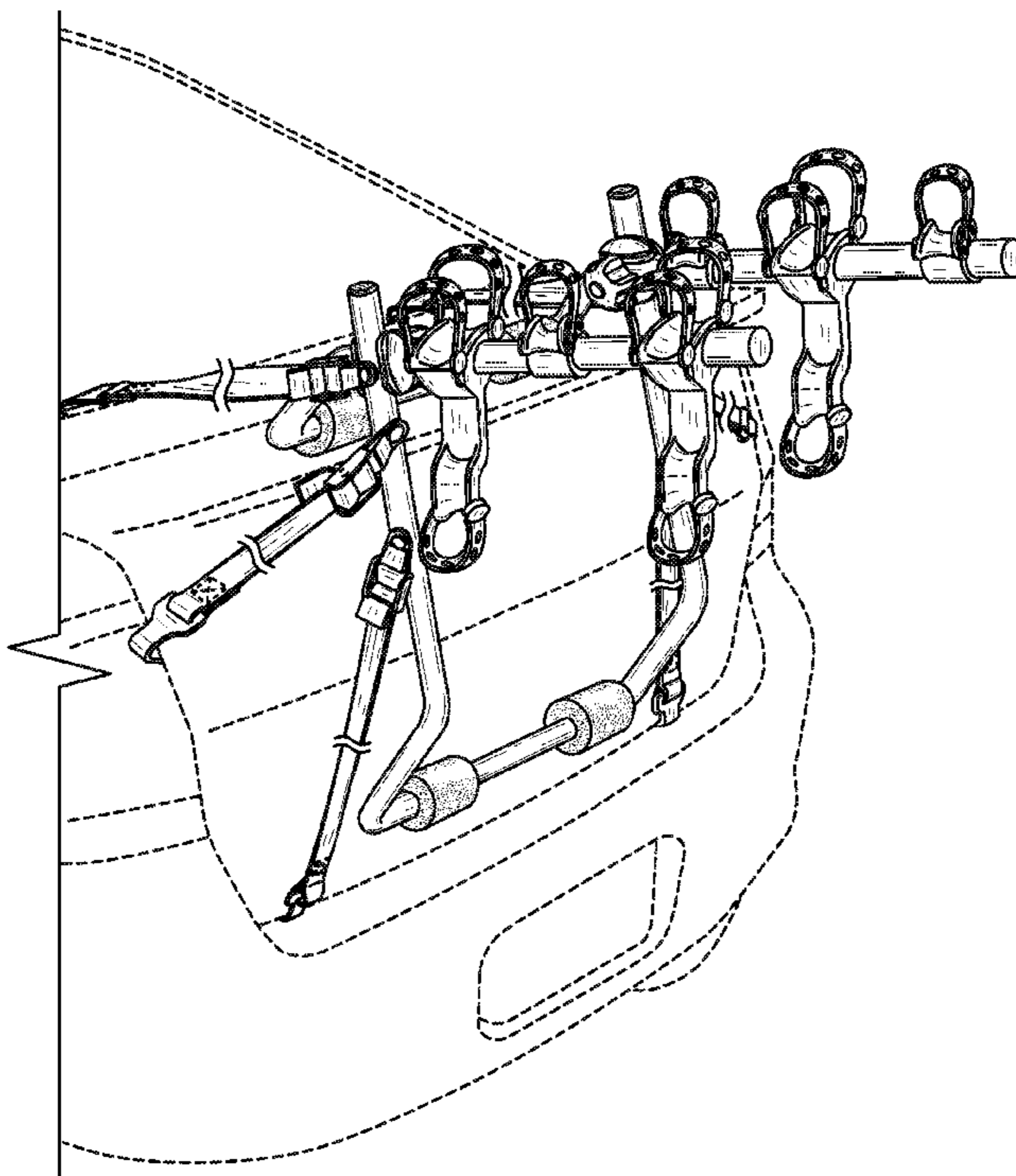
(57) **CLAIM**

The ornamental design for a trunk mount bicycle carrier, as shown and described.

**DESCRIPTION**

FIG. 1 is a perspective view of the trunk mount bicycle carrier, shown in position of use on a vehicle trunk;  
FIG. 2 is a front elevational view of the trunk mount bicycle carrier, shown in a detached configuration;  
FIG. 3 is a rear elevational view of FIG. 2;  
FIG. 4 is a first side elevational view of the trunk mount bicycle carrier in an alternate detached configuration;  
FIG. 5 is a second side elevational view of FIG. 4;  
FIG. 6 is a top plan view of the trunk mount bicycle carrier in a second alternate detached configuration; and,  
FIG. 7 is a bottom plan view of FIG. 6.  
The straps are shown broken away in FIGS. 2-7 for ease of illustration.

**1 Claim, 4 Drawing Sheets**



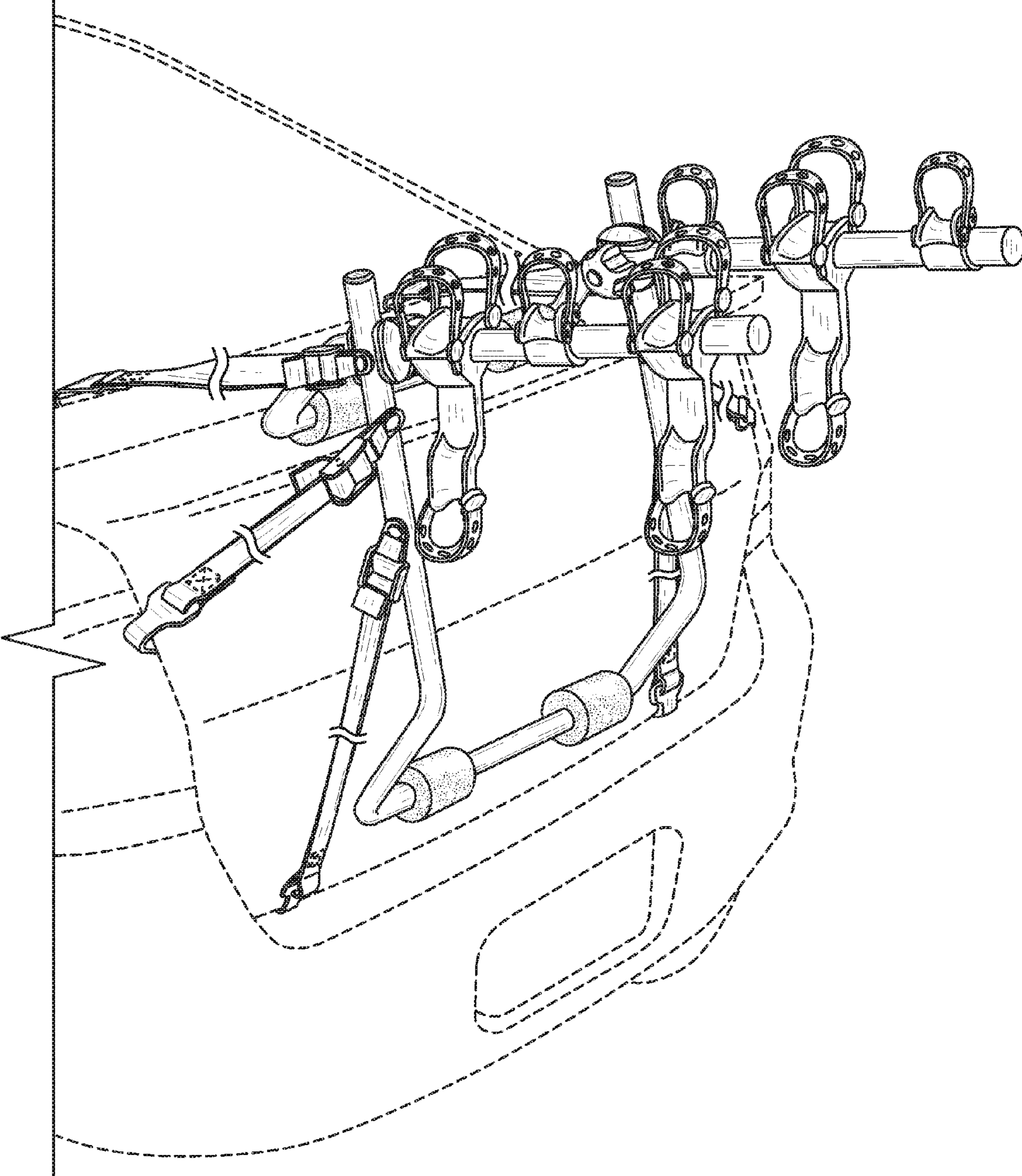


FIG. 1

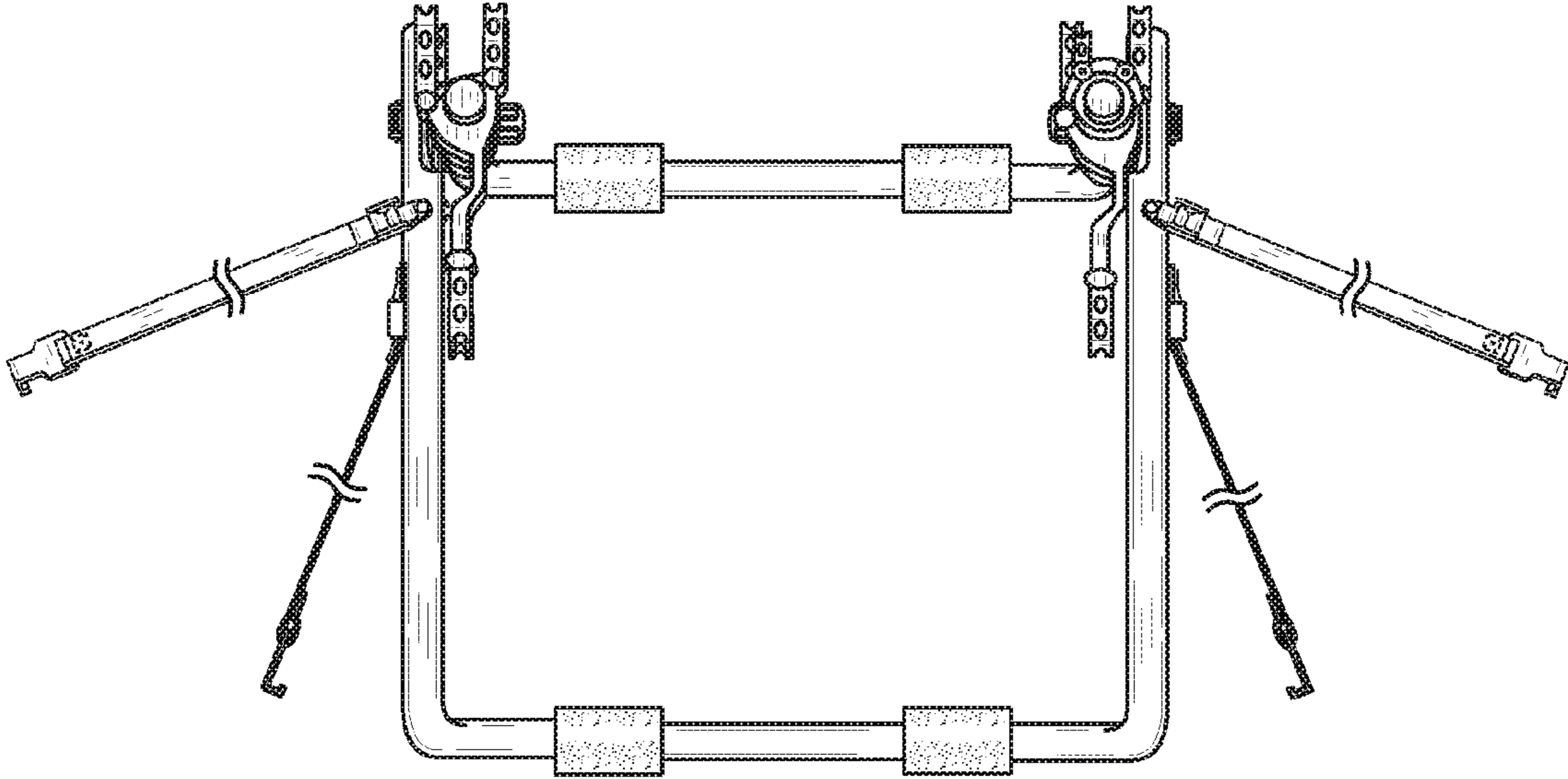


FIG. 2

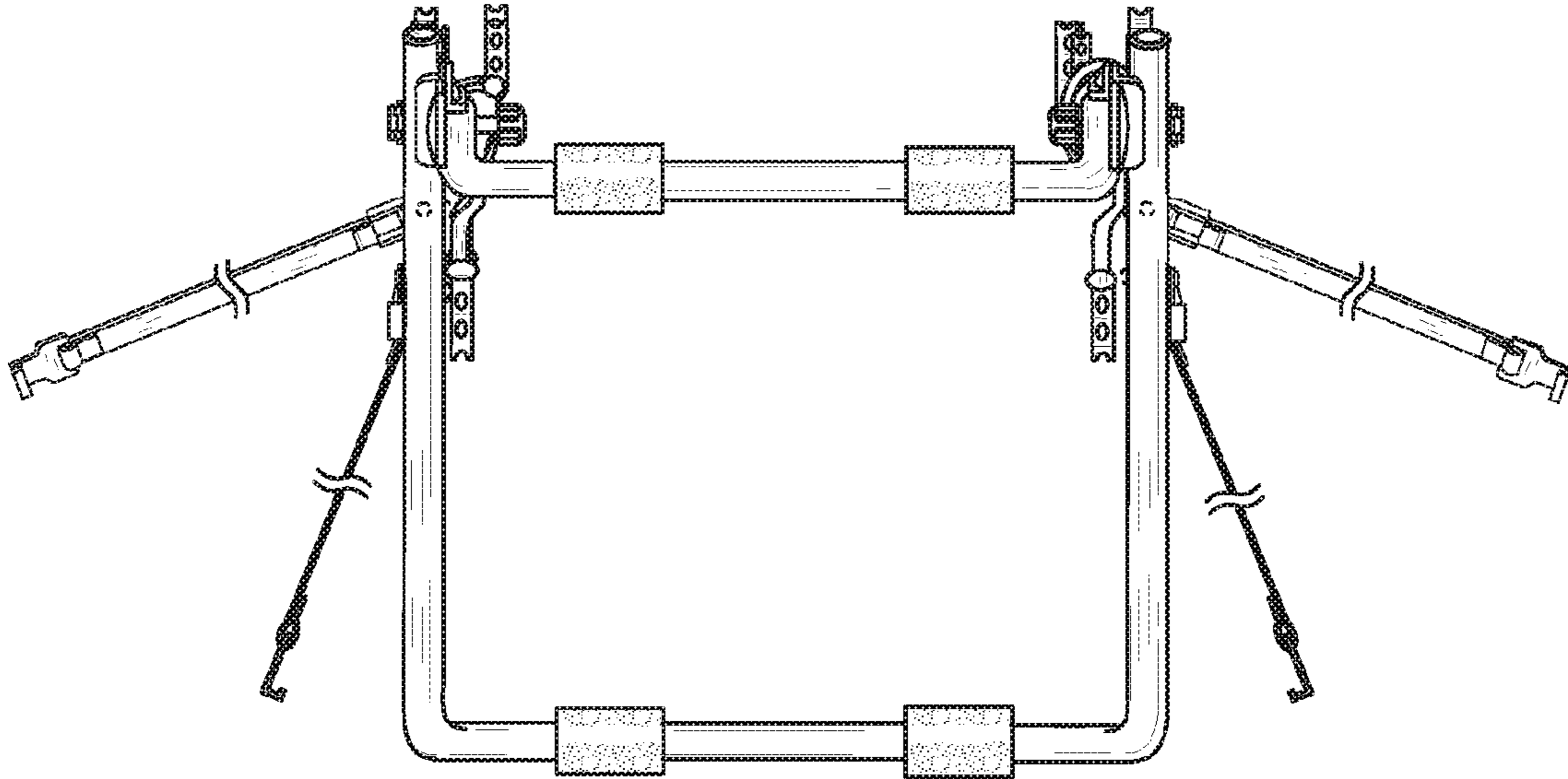


FIG. 3

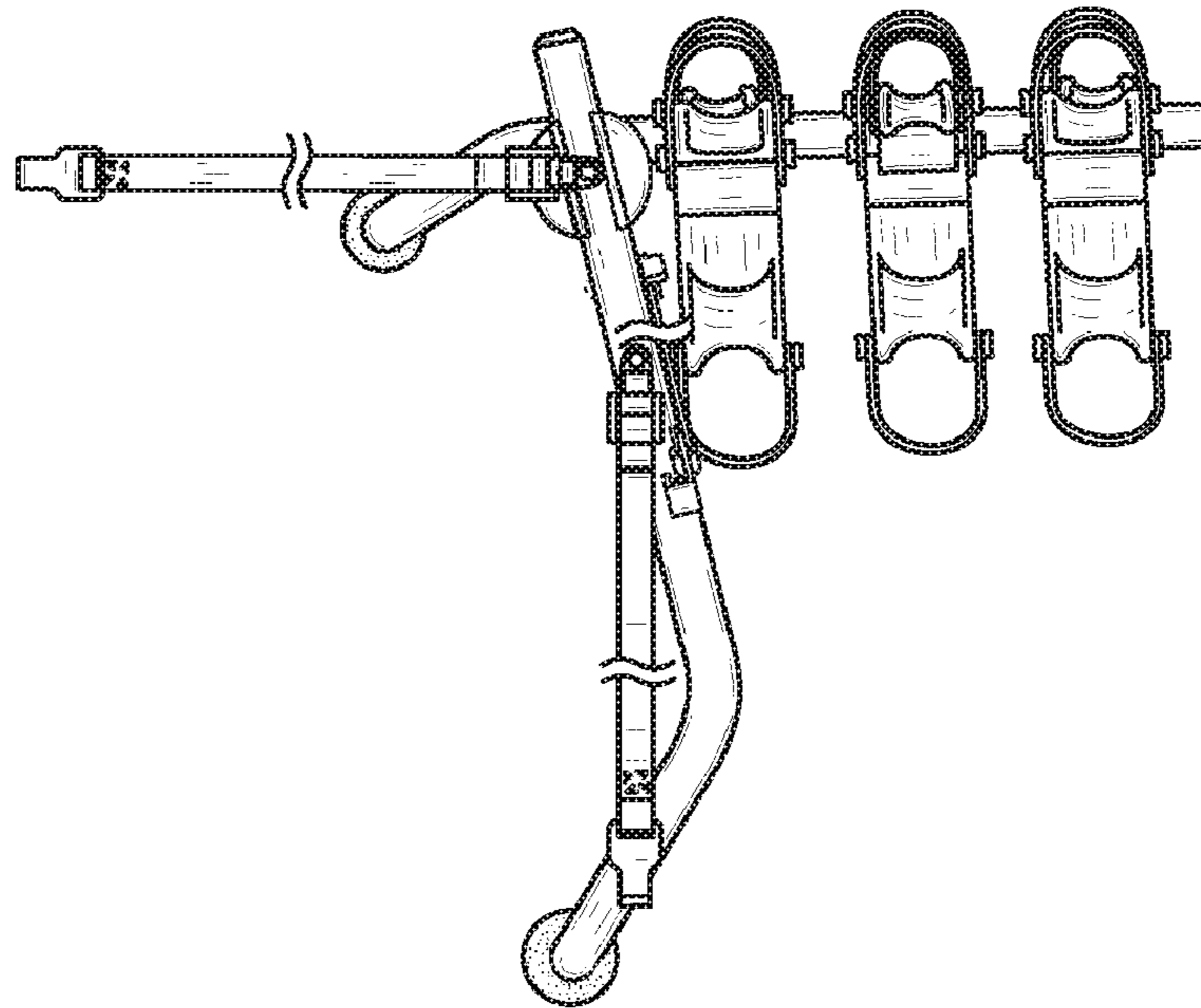


FIG. 4

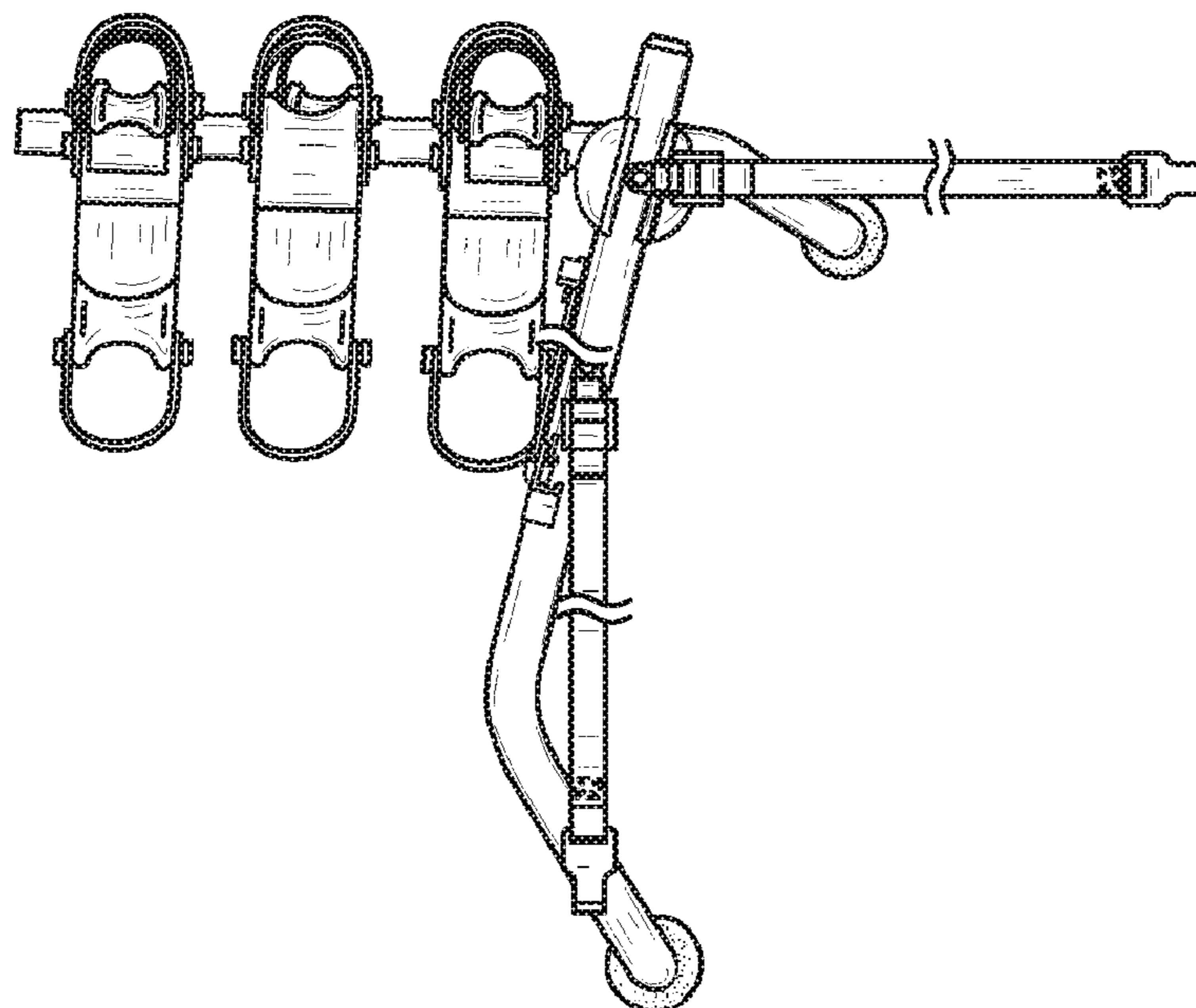


FIG. 5

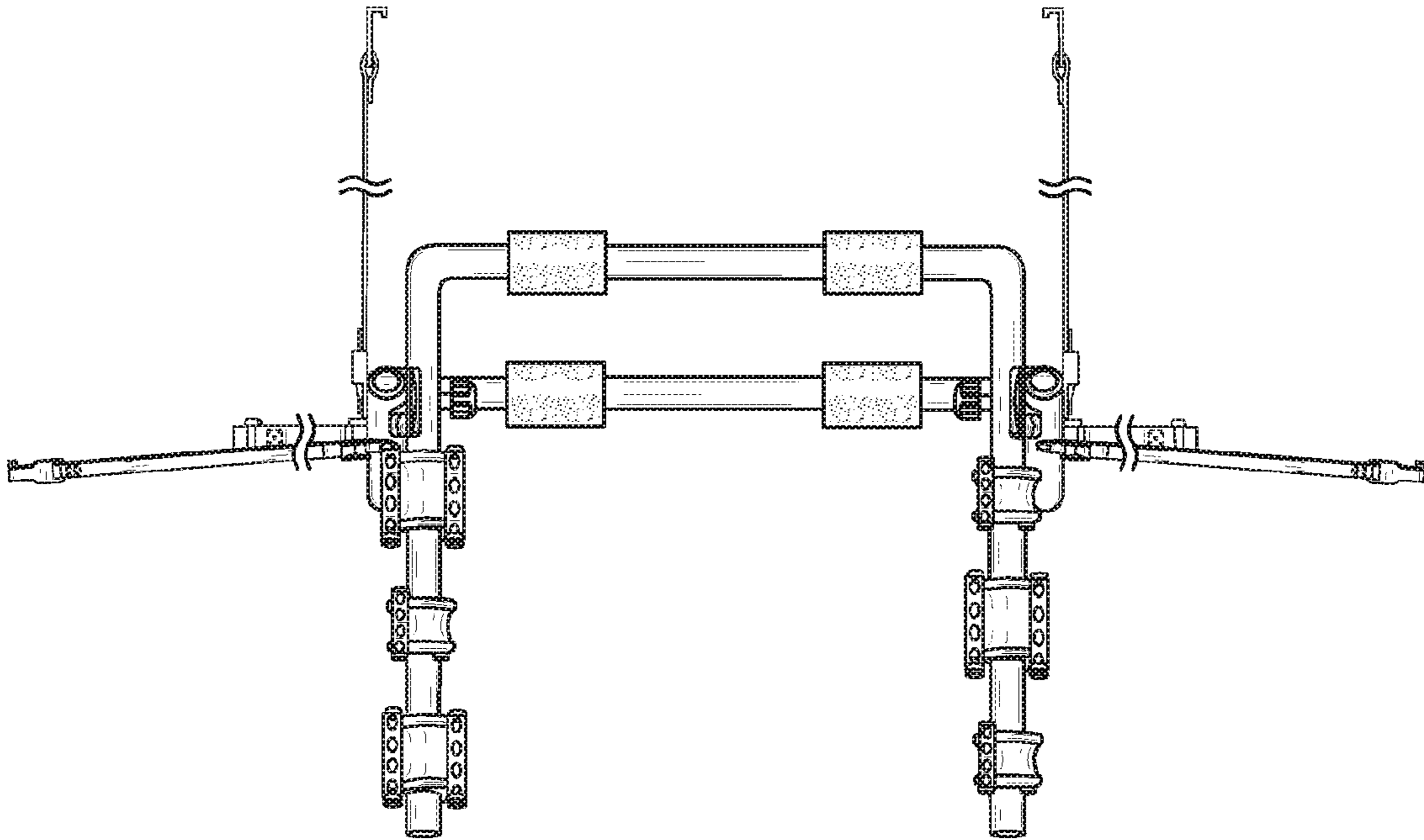


FIG. 6

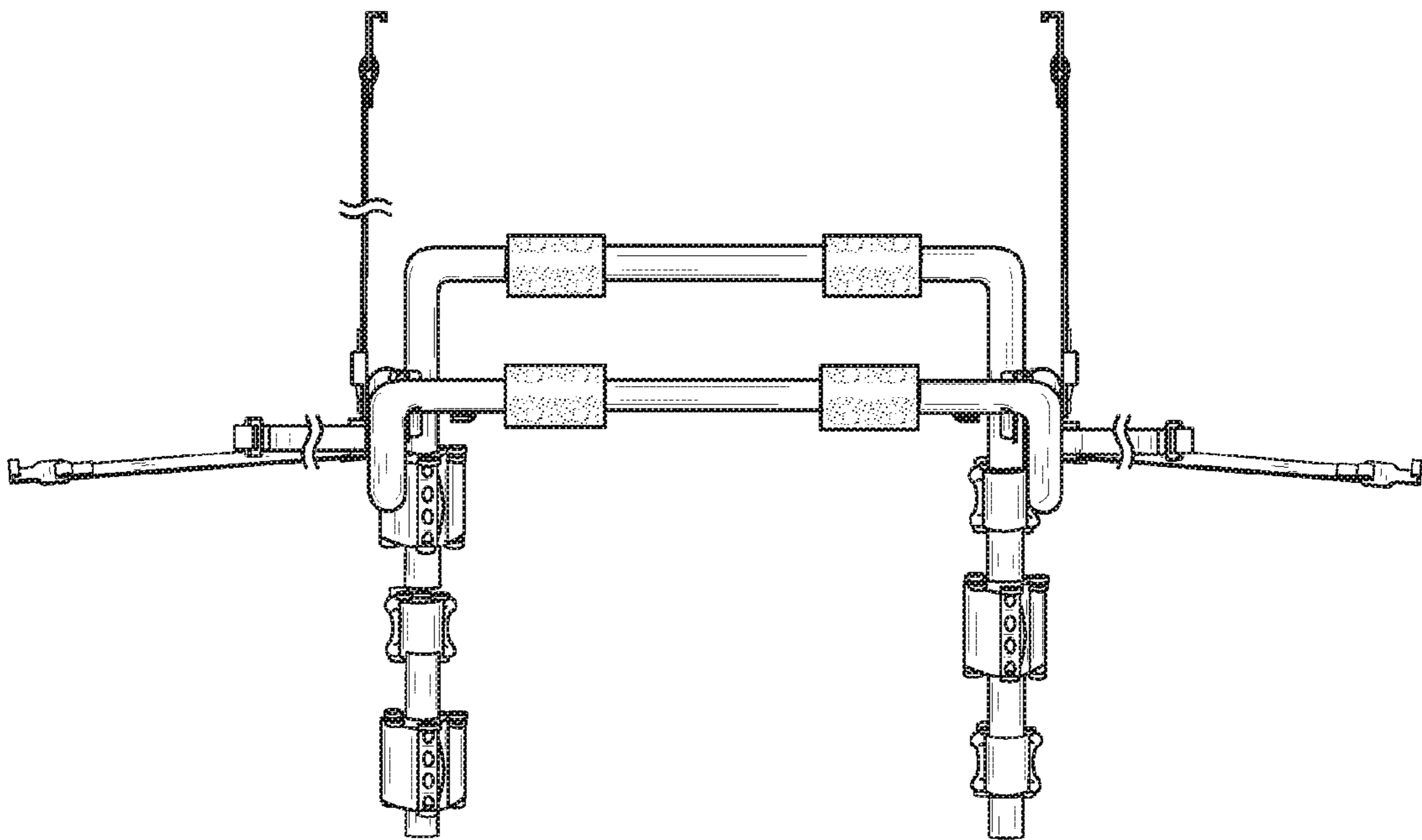


FIG. 7