



US00D671880S

(12) **United States Design Patent**
Telaak

(10) **Patent No.:** **US D671,880 S**

(45) **Date of Patent:** **** Dec. 4, 2012**

(54) **VEHICLE WHEEL RIM**

(75) Inventor: **Gary Telaak**, Ingolstadt (DE)

(73) Assignee: **Audi AG**, Ingolstadt (DE)

(**) Term: **14 Years**

(21) Appl. No.: **29/420,672**

(22) Filed: **May 11, 2012**

(30) **Foreign Application Priority Data**

Nov. 11, 2011 (EM) 001946369-0005

(51) **LOC (9) Cl.** **12-16**

(52) **U.S. Cl.** **D12/209**

(58) **Field of Classification Search** D12/204-213;
301/37.101, 64.101, 65, 64.201

See application file for complete search history.

(56) **References Cited**

U.S. PATENT DOCUMENTS

D450,026 S * 11/2001 Donikoglu D12/209
D500,278 S * 12/2004 Huet D12/211

D502,137 S * 2/2005 Blum D12/211
D525,578 S * 7/2006 Schell D12/211
D550,598 S * 9/2007 Schaefers D12/209
D585,807 S * 2/2009 Scheu D12/211
D612,789 S * 3/2010 Tant et al. D12/211
D619,525 S * 7/2010 Patel D12/211
D620,420 S * 7/2010 Lamm et al. D12/209
D623,109 S * 9/2010 Markefka D12/209
D635,903 S * 4/2011 Zhang D12/209
D641,677 S * 7/2011 Weil D12/209

* cited by examiner

Primary Examiner — Stacia Cadmus

(74) *Attorney, Agent, or Firm* — Lucas & Mercanti, LLP;
Klaus P. Stoffel

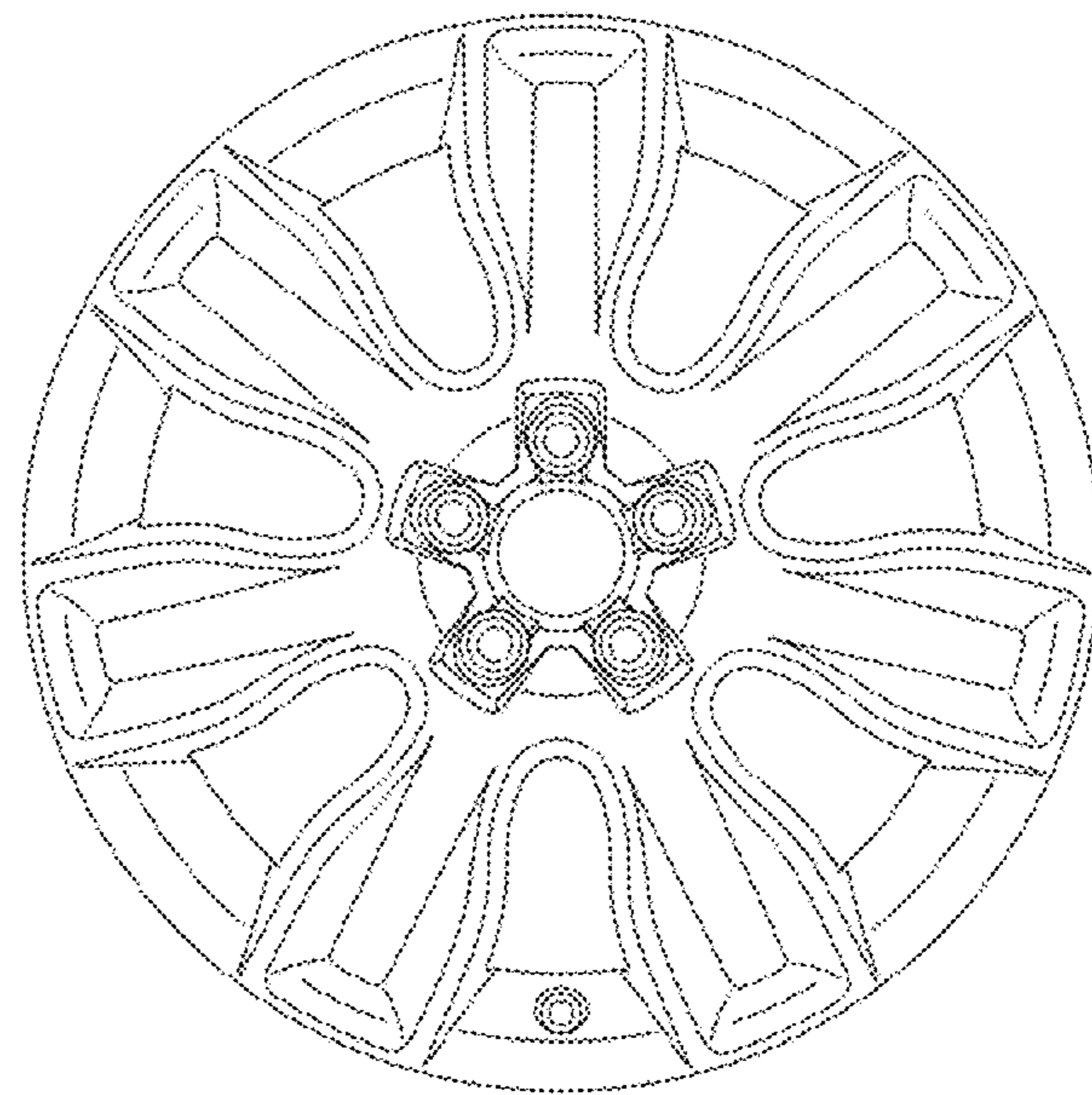
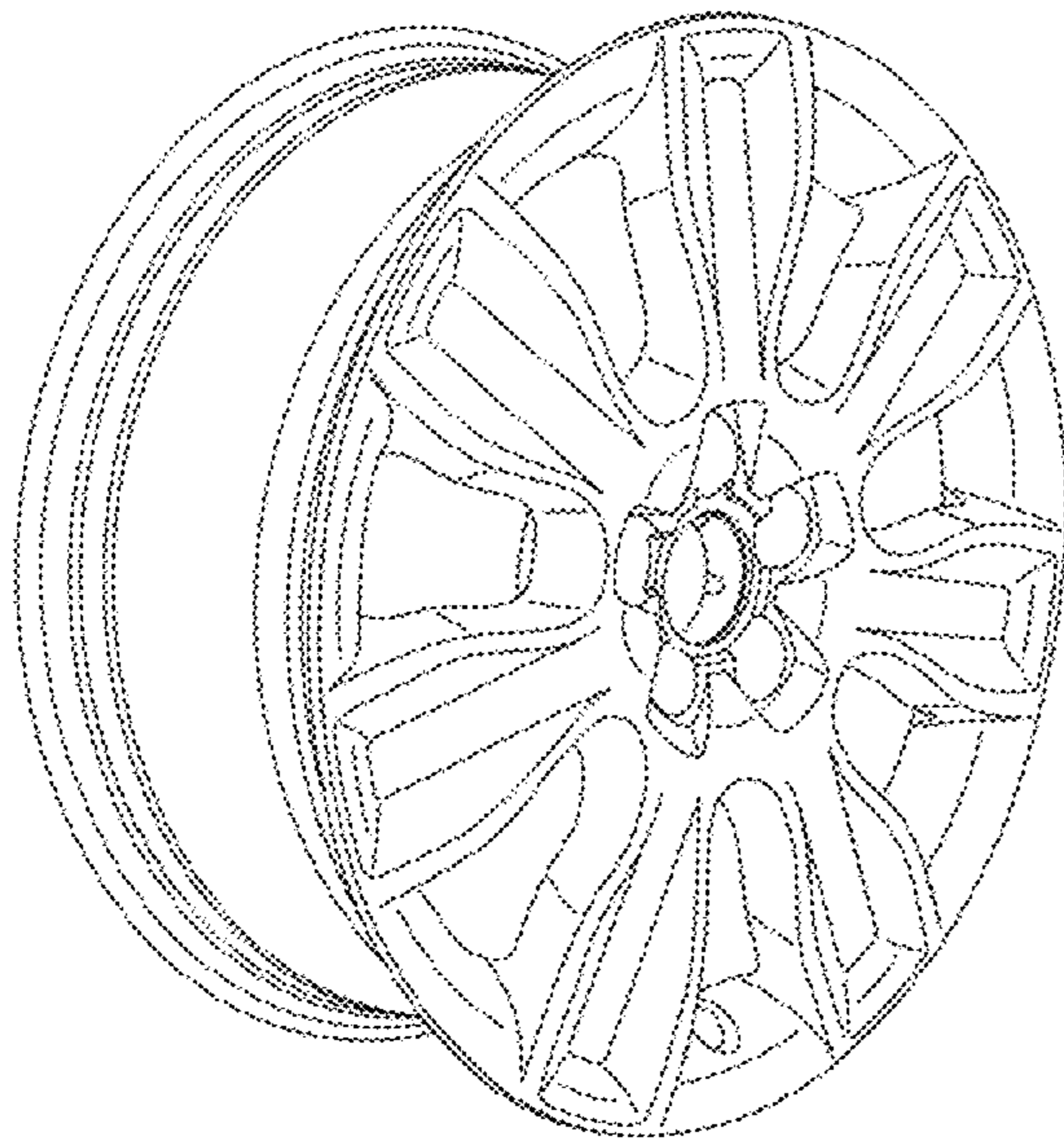
(57) **CLAIM**

The original design for a vehicle wheel rim, as shown and described

DESCRIPTION

FIG. 1 is a front, side perspective view of the vehicle wheel rim of the present invention; and, FIG. 2 is a front view thereof.

1 Claim, 2 Drawing Sheets



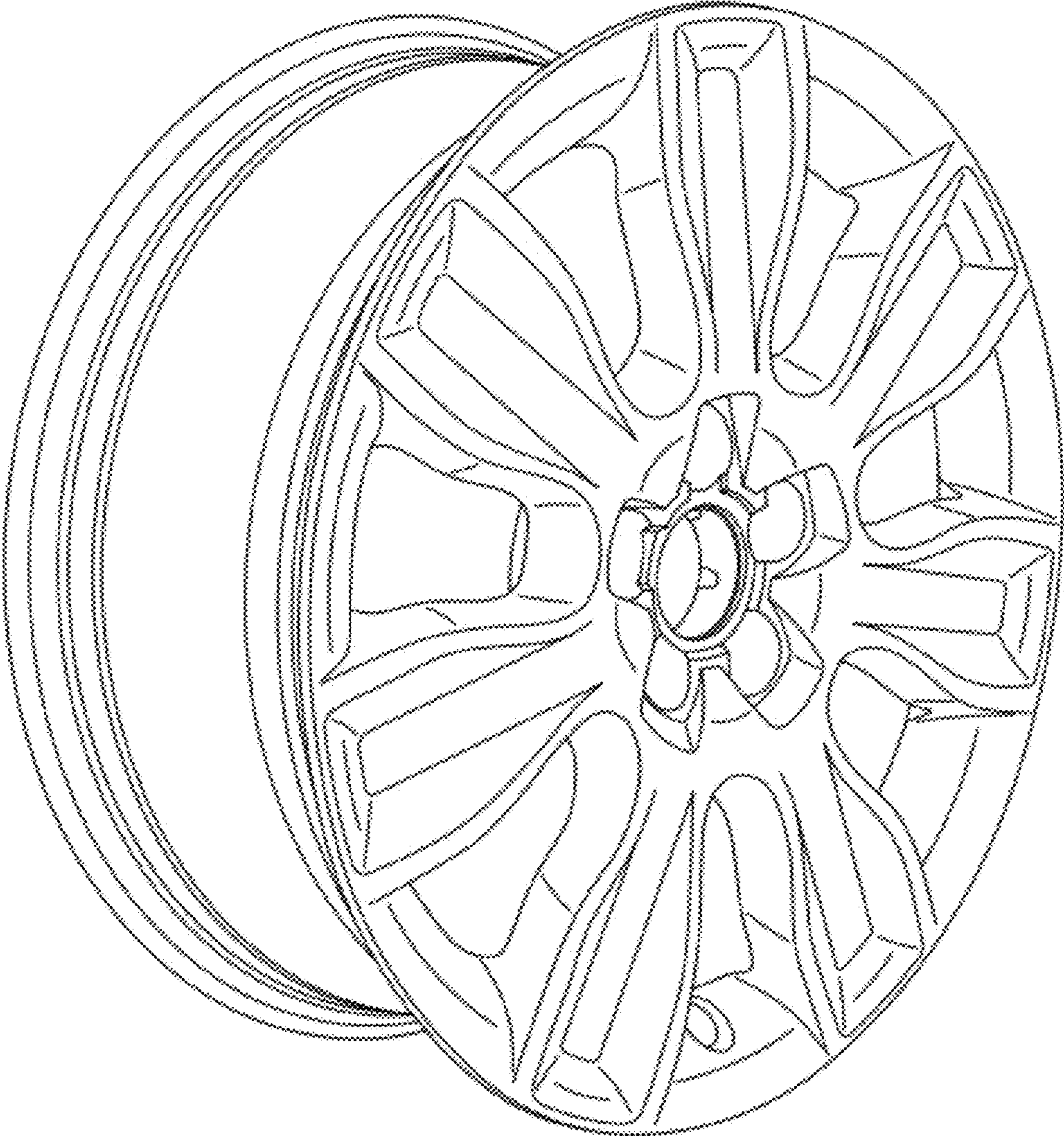


Fig. 1

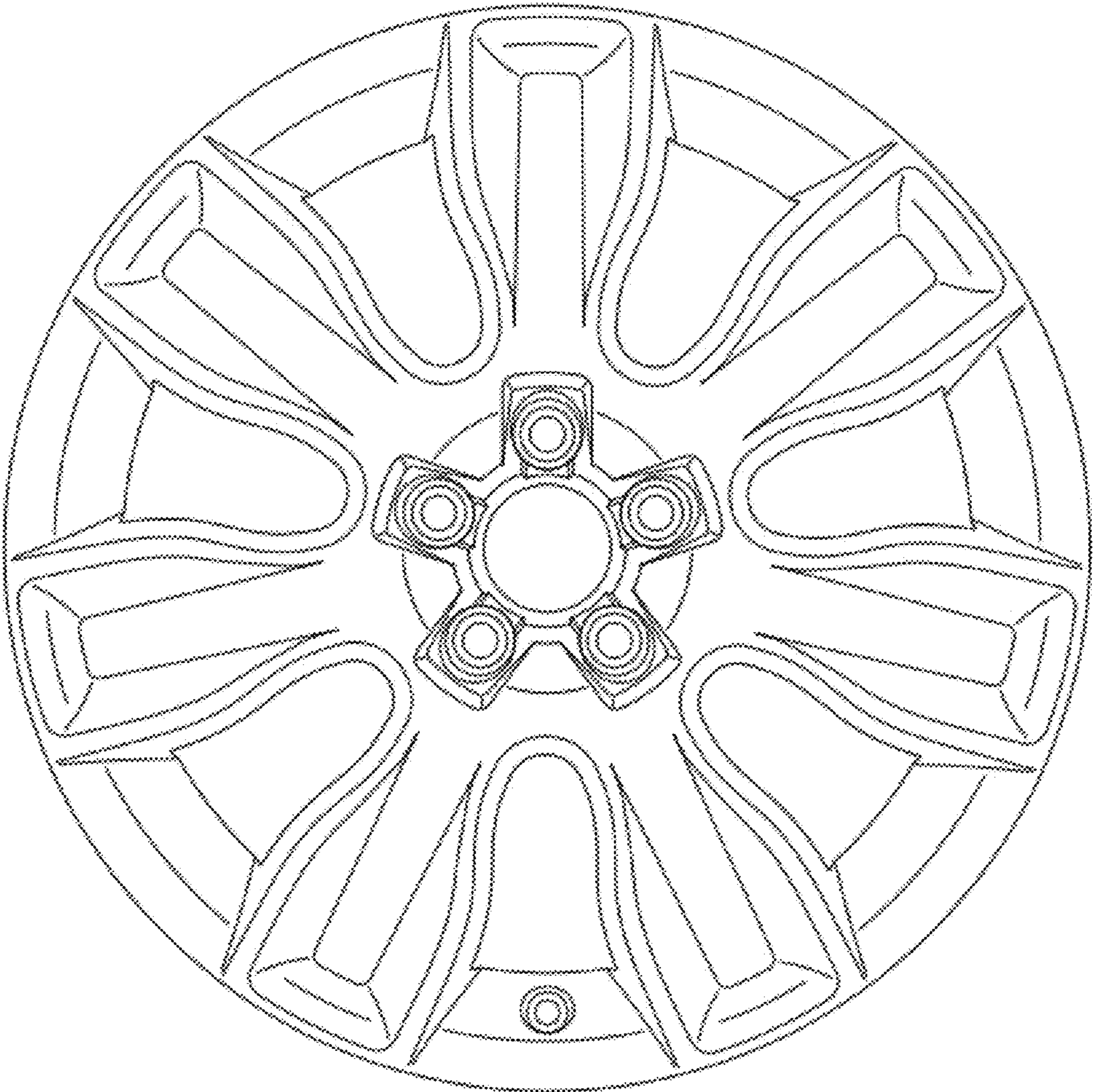


Fig. 2