



US00D671879S

(12) **United States Design Patent**  
**Telaak**

(10) **Patent No.:** **US D671,879 S**  
(45) **Date of Patent:** **\*\* Dec. 4, 2012**

(54) **VEHICLE WHEEL RIM**

(75) Inventor: **Gary Telaak**, Ingolstadt (DE)

(73) Assignee: **Audi AG**, Ingolstadt (DE)

(\*\*) Term: **14 Years**

(21) Appl. No.: **29/420,671**

(22) Filed: **May 11, 2012**

(30) **Foreign Application Priority Data**

Nov. 11, 2011 (EM) ..... 001 946 369-0004

(51) **LOC (9) Cl.** ..... **12-16**

(52) **U.S. Cl.** ..... **D12/209**

(58) **Field of Classification Search** ..... D12/204-213;  
301/37.101, 64.101, 65, 64.201

See application file for complete search history.

(56) **References Cited**

**U.S. PATENT DOCUMENTS**

D427,961 S \* 7/2000 Donikoglu ..... D12/210  
D430,094 S \* 8/2000 Hale, Jr. .... D12/210

D436,910 S \* 1/2001 Hale, Jr. .... D12/210  
D451,465 S \* 12/2001 Donikoglu ..... D12/210  
D515,002 S \* 2/2006 Looho ..... D12/210  
D526,266 S \* 8/2006 Kim ..... D12/209  
D572,648 S \* 7/2008 Musser ..... D12/210  
D573,080 S \* 7/2008 Kim ..... D12/209  
D631,419 S \* 1/2011 Kim ..... D12/209  
D655,658 S \* 3/2012 Noone et al. .... D12/209

\* cited by examiner

*Primary Examiner* — Stacia Cadmus

(74) *Attorney, Agent, or Firm* — Lucas & Mercanti, LLP;  
Klaus P. Stoffel

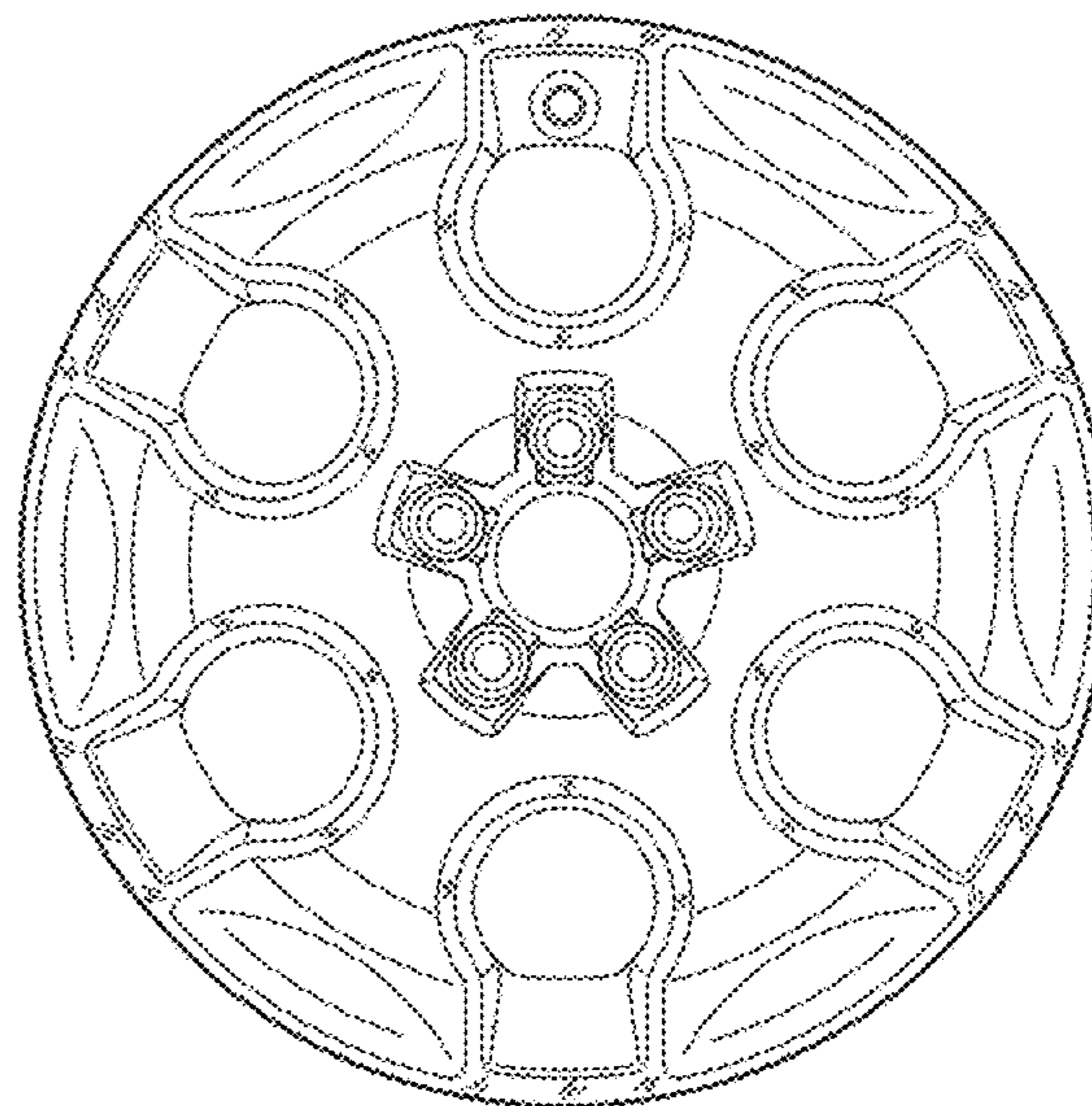
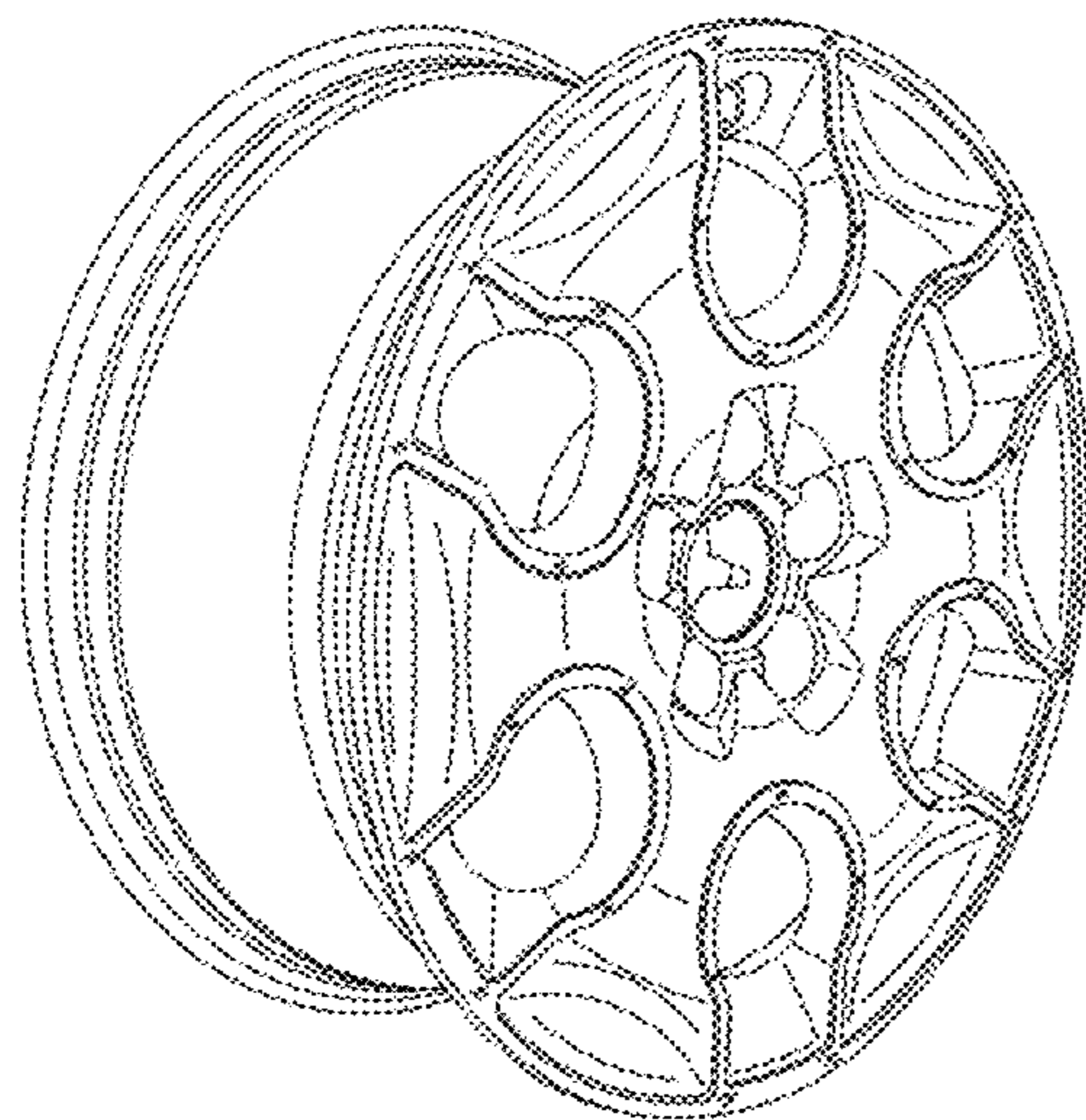
(57) **CLAIM**

The original design for a vehicle wheel rim, as shown and described.

**DESCRIPTION**

FIG. 1 is a front, side perspective view of the vehicle wheel rim of the present invention; and, FIG. 2 is a front view thereof.

**1 Claim, 2 Drawing Sheets**



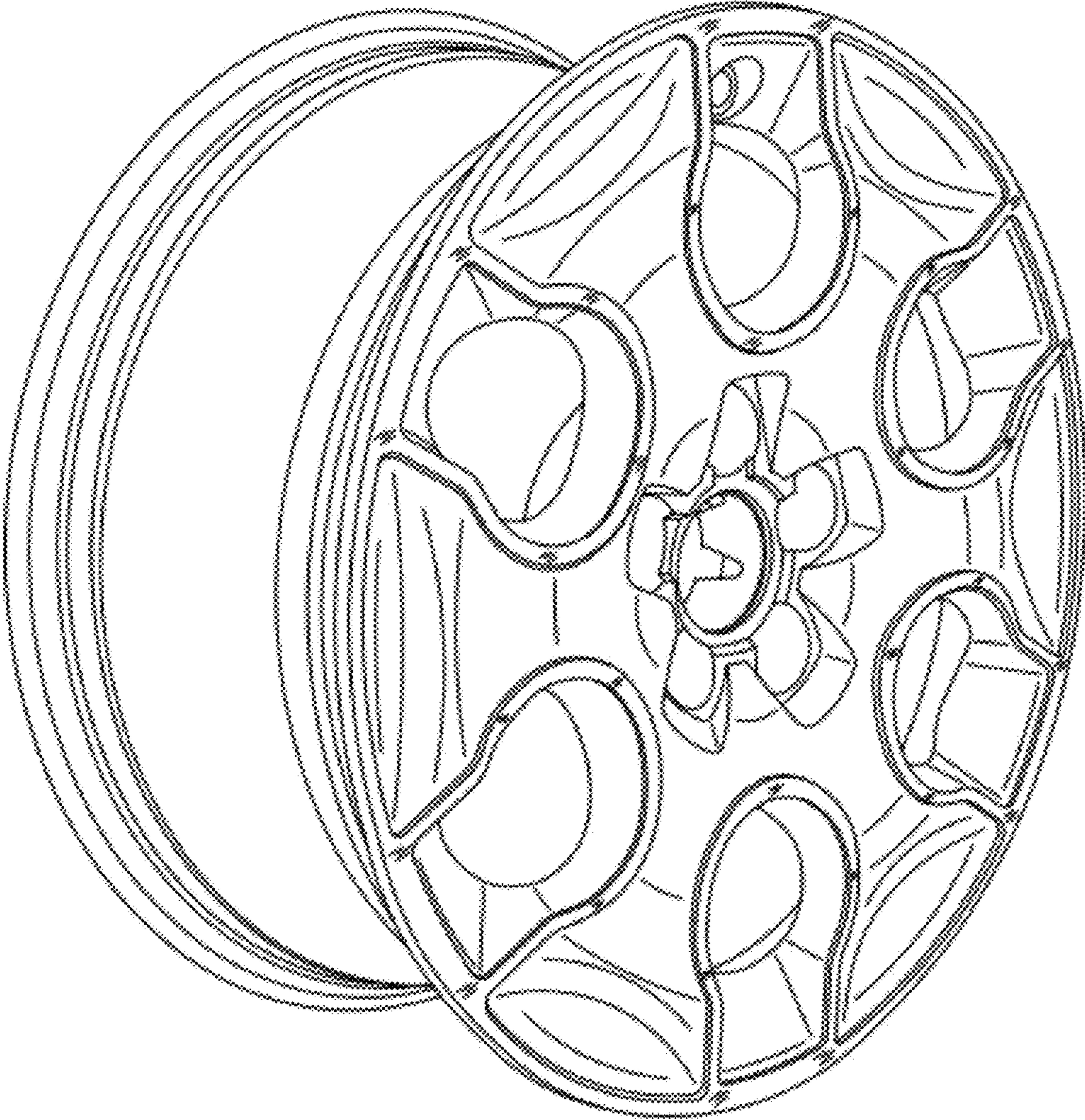


Fig. 1



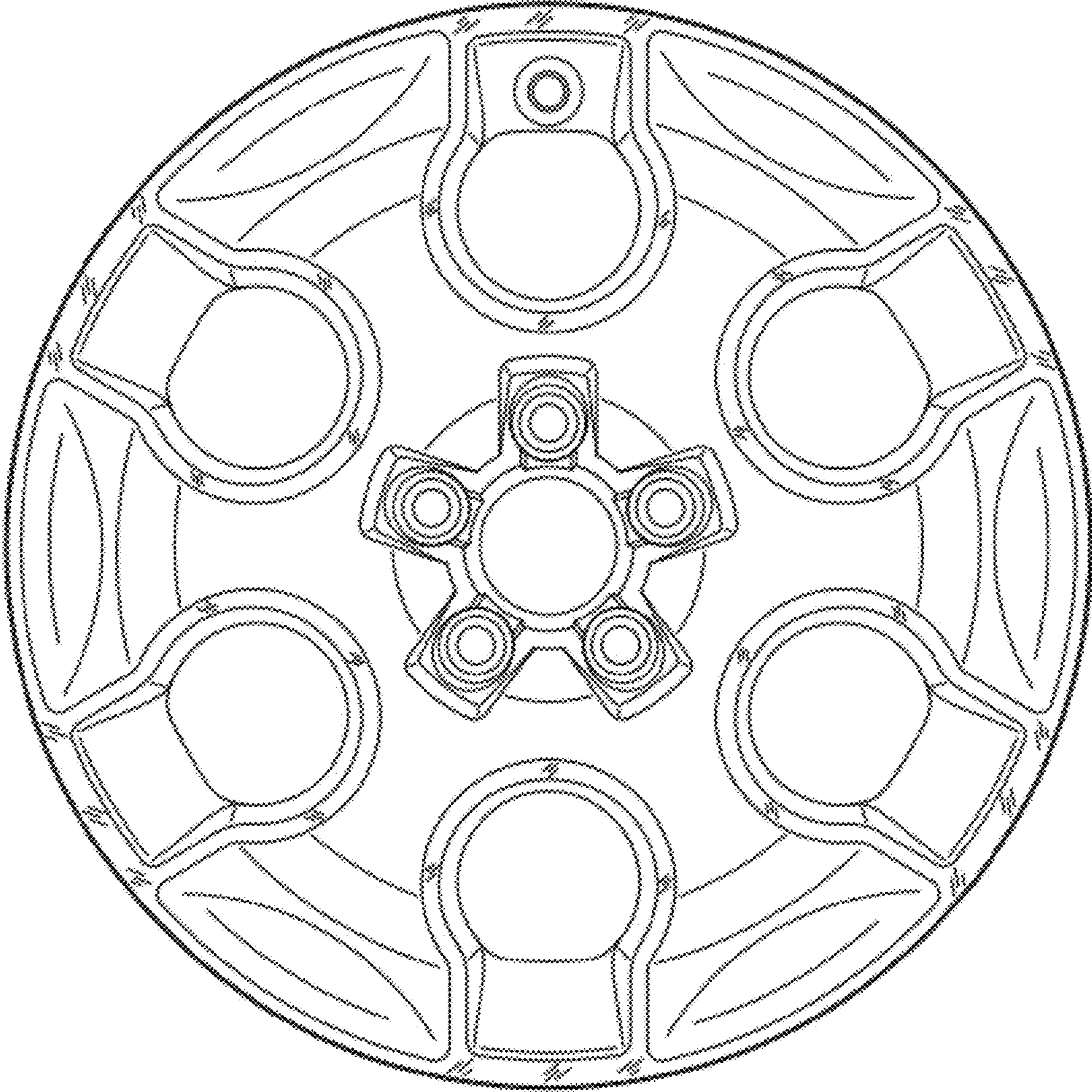


Fig. 2