



US00D671878S

(12) **United States Design Patent**  
**Telaak**

(10) **Patent No.:** **US D671,878 S**  
(45) **Date of Patent:** **\*\* Dec. 4, 2012**

(54) **VEHICLE WHEEL RIM**

(75) Inventor: **Gary Telaak**, Ingolstadt (DE)

(73) Assignee: **Audi AG**, Ingolstadt (DE)

(\*\*) Term: **14 Years**

(21) Appl. No.: **29/420,666**

(22) Filed: **May 11, 2012**

(30) **Foreign Application Priority Data**

Nov. 11, 2011 (EM) ..... 001946369-0001

(51) **LOC (9) Cl.** ..... **12-16**

(52) **U.S. Cl.** ..... **D12/209**

(58) **Field of Classification Search** ..... D12/204-213;  
301/37.101, 64.101, 65, 64.201

See application file for complete search history.

(56) **References Cited**

**U.S. PATENT DOCUMENTS**

D408,774 S \* 4/1999 Nishida ..... D12/209  
D460,728 S \* 7/2002 Clarke ..... D12/209  
D480,672 S \* 10/2003 Pfeiffer et al. .... D12/209

D491,123 S \* 6/2004 Lai ..... D12/209  
D499,681 S \* 12/2004 Boyer ..... D12/209  
D504,858 S \* 5/2005 Pfeiffer ..... D12/209  
D515,996 S \* 2/2006 Baumgartner ..... D12/209  
D576,533 S \* 9/2008 Gallert ..... D12/209  
D597,917 S \* 8/2009 Chung ..... D12/209  
D635,078 S \* 3/2011 Elmitt ..... D12/209  
D643,793 S \* 8/2011 Juergens et al. .... D12/209  
D658,103 S \* 4/2012 Choe et al. .... D12/209  
D658,561 S \* 5/2012 Foose ..... D12/209  
D662,868 S \* 7/2012 Furst et al. .... D12/209

\* cited by examiner

*Primary Examiner* — Stacia Cadmus

(74) *Attorney, Agent, or Firm* — Lucas & Mercanti, LLP;  
Klaus P. Stoffel

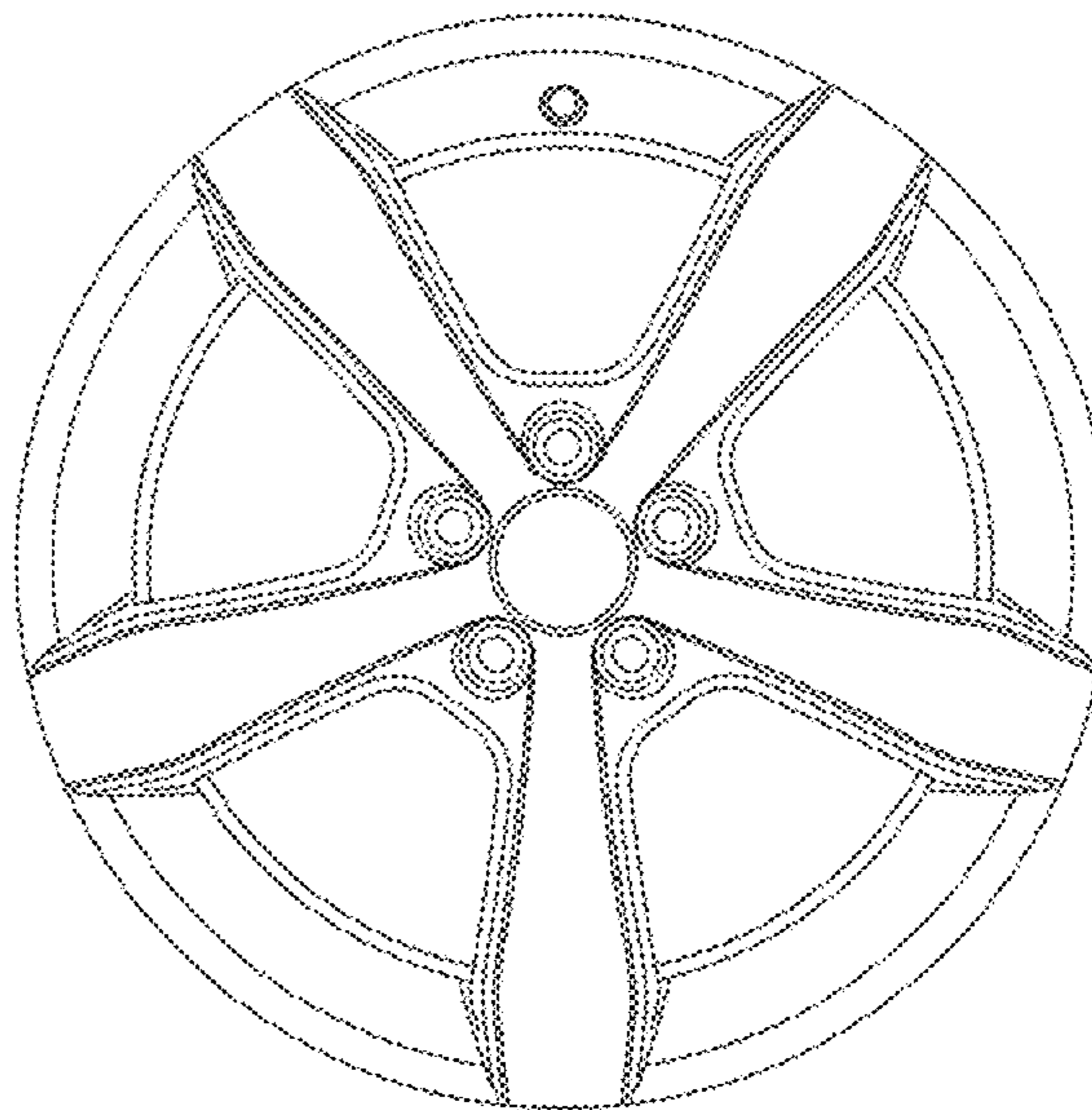
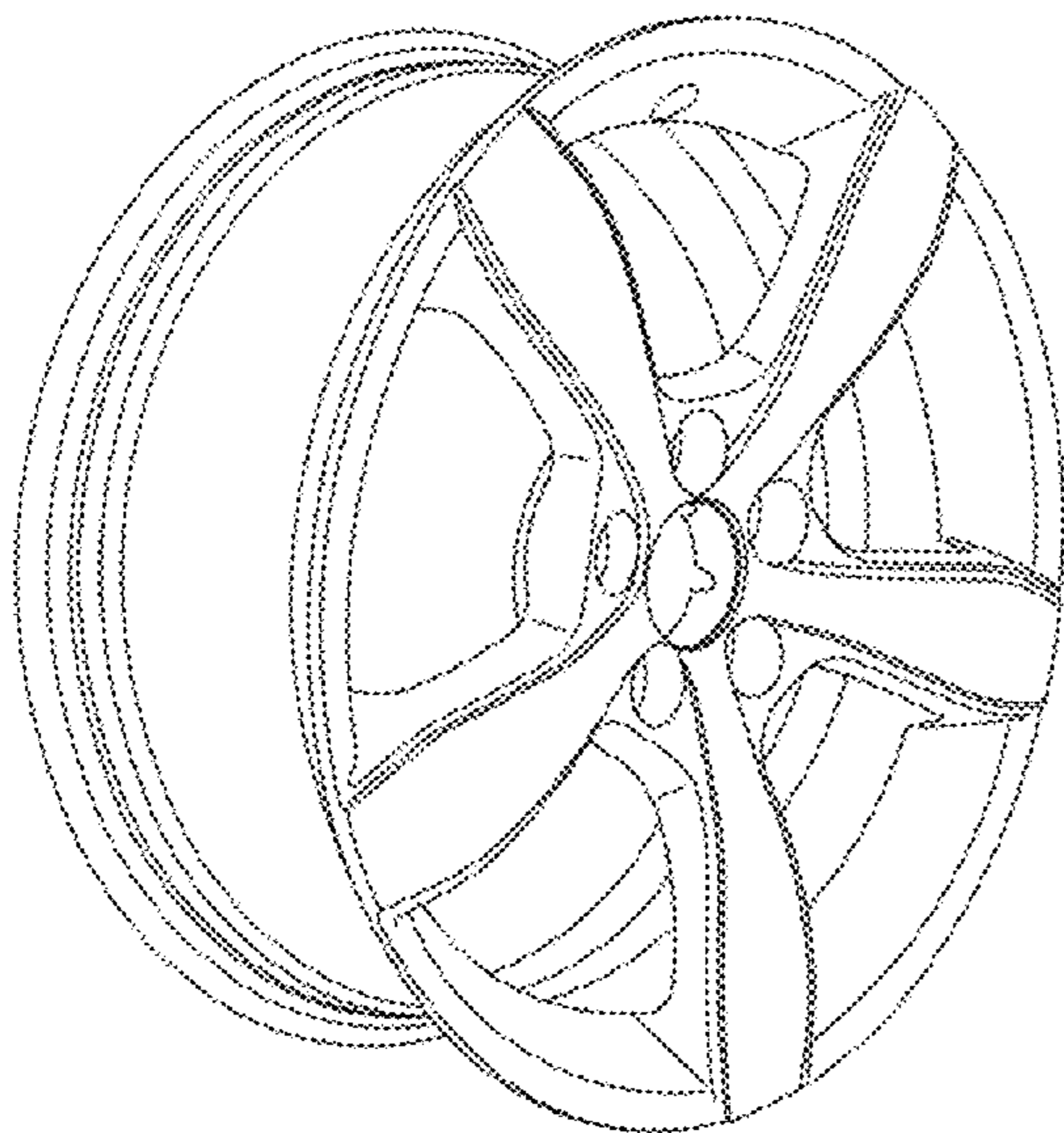
(57) **CLAIM**

The original design for a vehicle wheel rim, as shown and described.

**DESCRIPTION**

FIG. 1 is a front, side perspective view of the vehicle wheel rim of the present invention; and, FIG. 2 is a front view thereof.

**1 Claim, 2 Drawing Sheets**



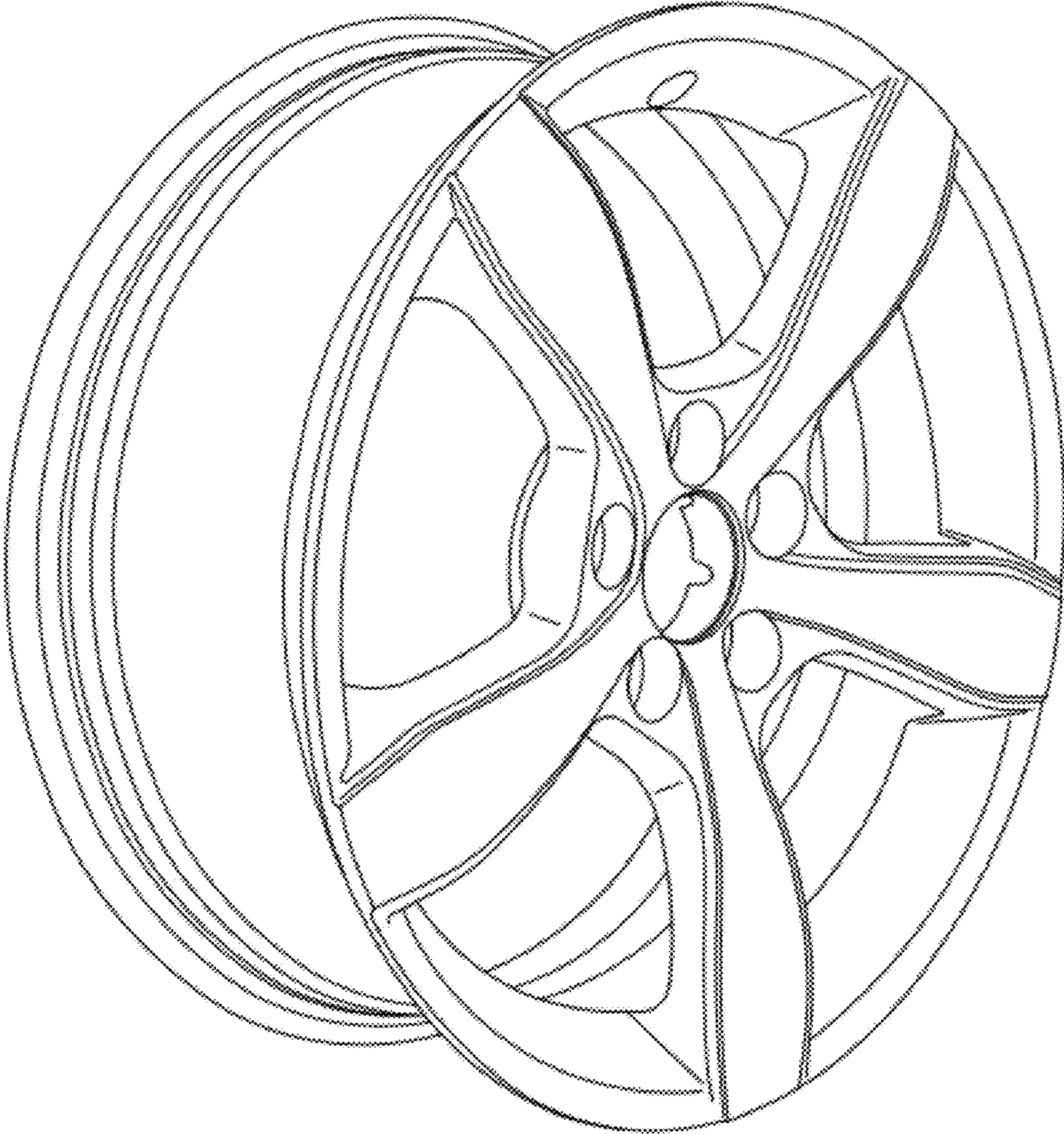


Fig. 1

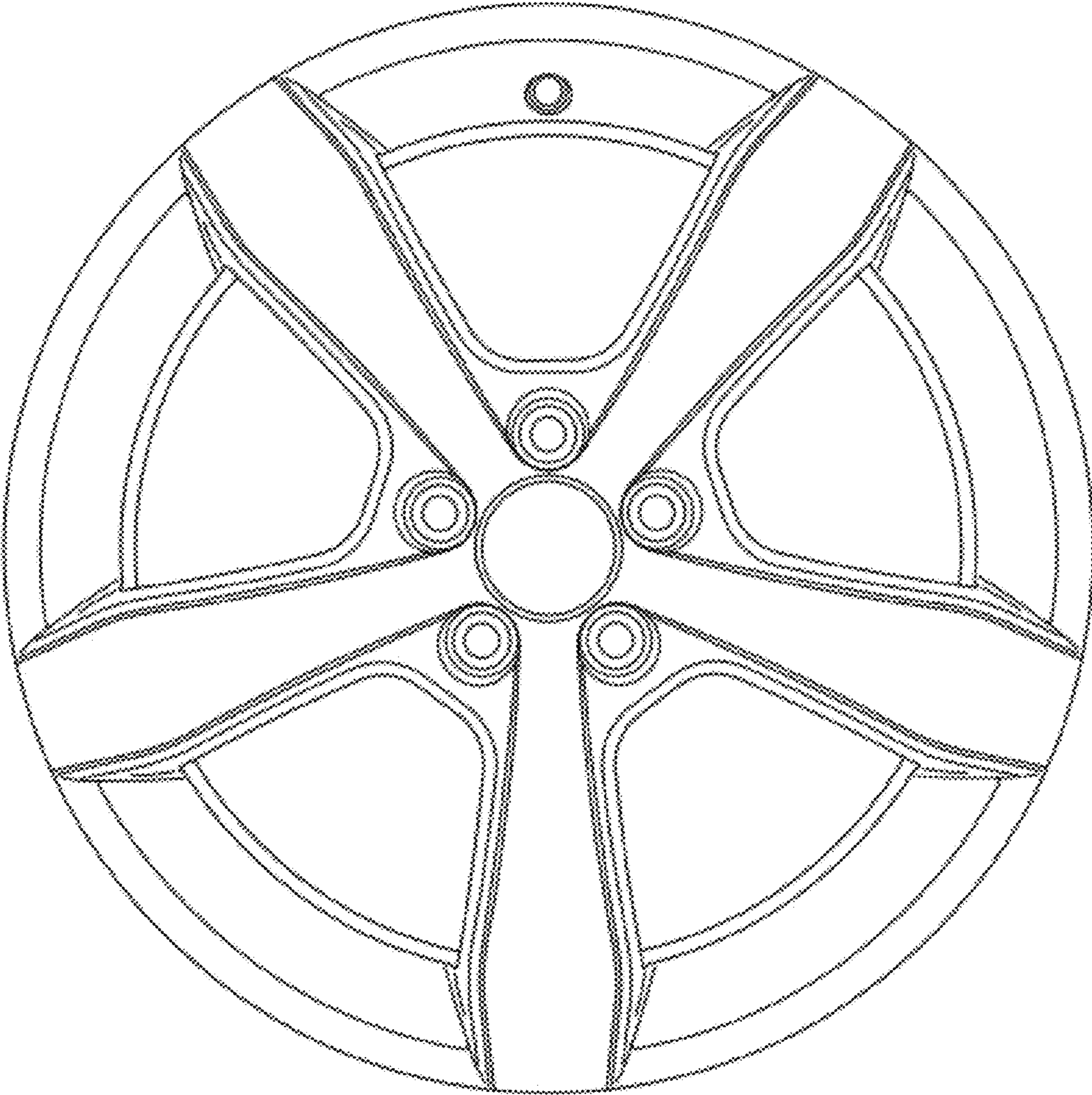


Fig. 2