



US00D671876S

(12) **United States Design Patent**
Roura

(10) **Patent No.:** **US D671,876 S**
(45) **Date of Patent:** **** Dec. 4, 2012**

(54) **VEHICLE WHEEL RIM**

(75) Inventor: **Cesar Muntada Roura**, Pfaffenhofen an der Ilm (DE)

(73) Assignee: **Audi AG**, Ingolstadt (DE)

(**) Term: **14 Years**

(21) Appl. No.: **29/419,837**

(22) Filed: **May 2, 2012**

(30) **Foreign Application Priority Data**

Nov. 2, 2011 (EM) 001 941 444-0005

(51) **LOC (9) Cl.** **12-16**

(52) **U.S. Cl.** **D12/209**

(58) **Field of Classification Search** D12/204-213;
301/37.101, 64.101, 65, 64.201

See application file for complete search history.

(56) **References Cited**

U.S. PATENT DOCUMENTS

D371,100 S *	6/1996	Hatter	D12/209
D409,546 S *	5/1999	Stark	D12/209
D428,377 S *	7/2000	Kubosaki et al.	D12/209
D446,761 S *	8/2001	Kulla	D12/209
D451,062 S *	11/2001	Yoshida	D12/209

D461,153 S *	8/2002	Koyama	D12/209
D472,509 S *	4/2003	Laengerer	D12/209
D499,058 S *	11/2004	Iwauchi et al.	D12/209
D504,096 S *	4/2005	Nakagawa et al.	D12/209
D514,494 S *	2/2006	Scheu	D12/209
D573,932 S *	7/2008	Laengerer	D12/209
D576,536 S *	9/2008	Aroney	D12/209
D584,208 S *	1/2009	Markefka	D12/209
D589,863 S *	4/2009	Huet	D12/209
D608,712 S *	1/2010	Pollmann	D12/209
D620,866 S *	8/2010	Blasi	D12/209
D626,051 S *	10/2010	Fisker et al.	D12/209
D626,905 S *	11/2010	Camacho	D12/209
D639,715 S *	6/2011	Furst et al.	D12/209
D648,255 S *	11/2011	Scheinutte	D12/209
D654,842 S *	2/2012	Blasi	D12/209

* cited by examiner

Primary Examiner — Stacia Cadmus

(74) *Attorney, Agent, or Firm* — Lucas & Mercanti, LLP;
Klaus P. Stoffel

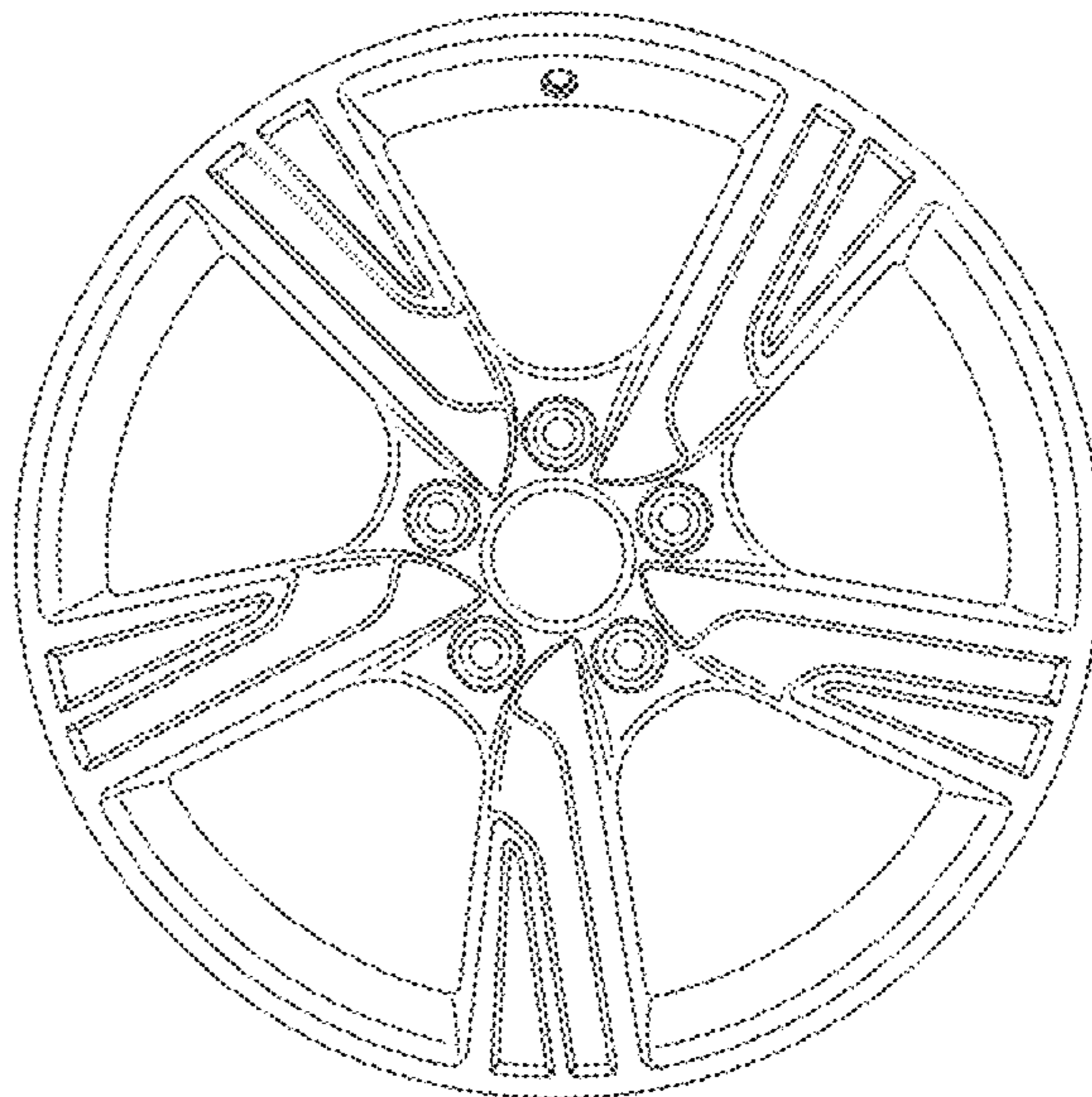
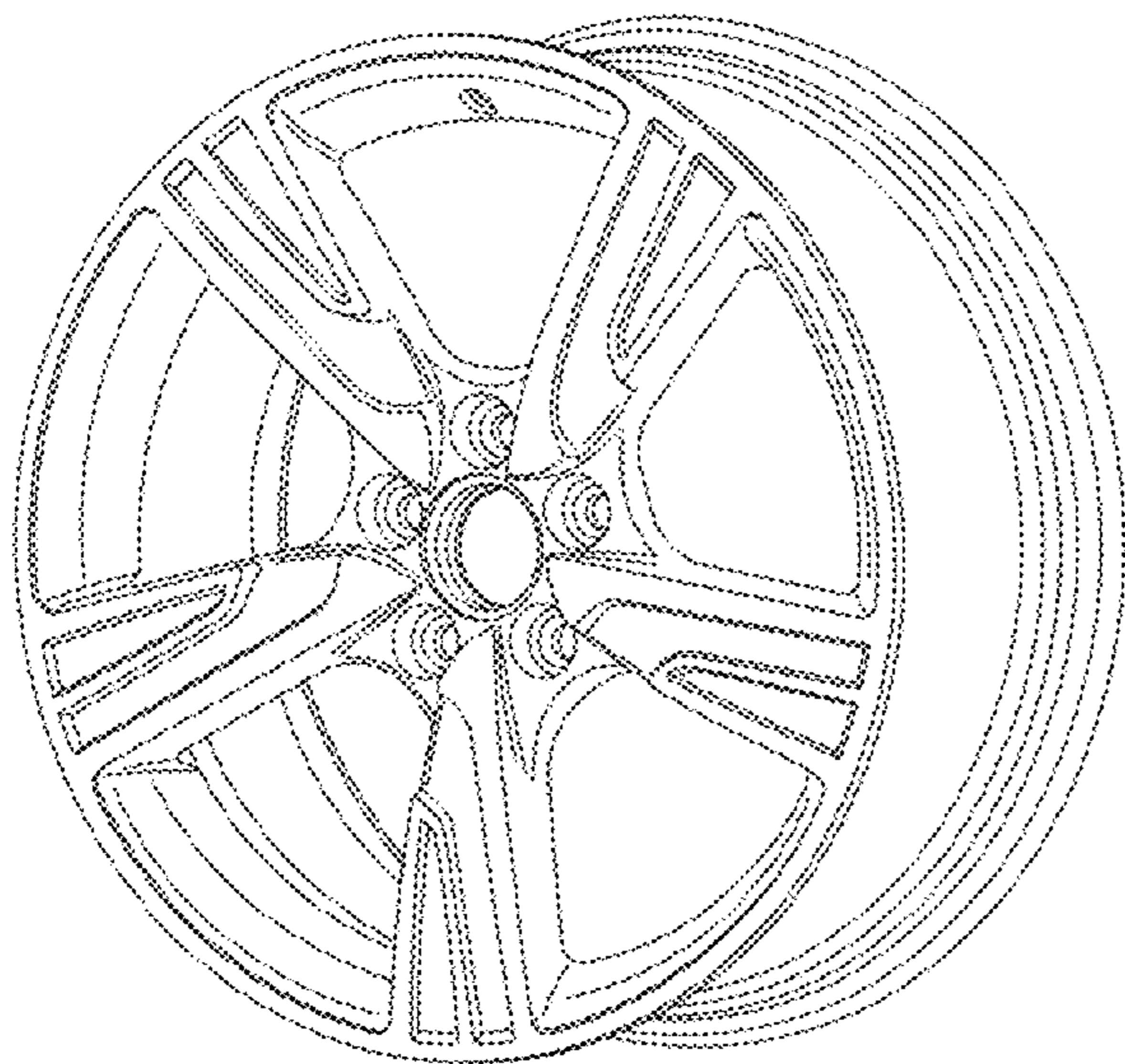
(57) **CLAIM**

The original design for a vehicle wheel rim, as shown and described.

DESCRIPTION

FIG. 1 is a front, side perspective view of the vehicle wheel rim of the present invention; and, FIG. 2 is a front view thereof.

1 Claim, 2 Drawing Sheets



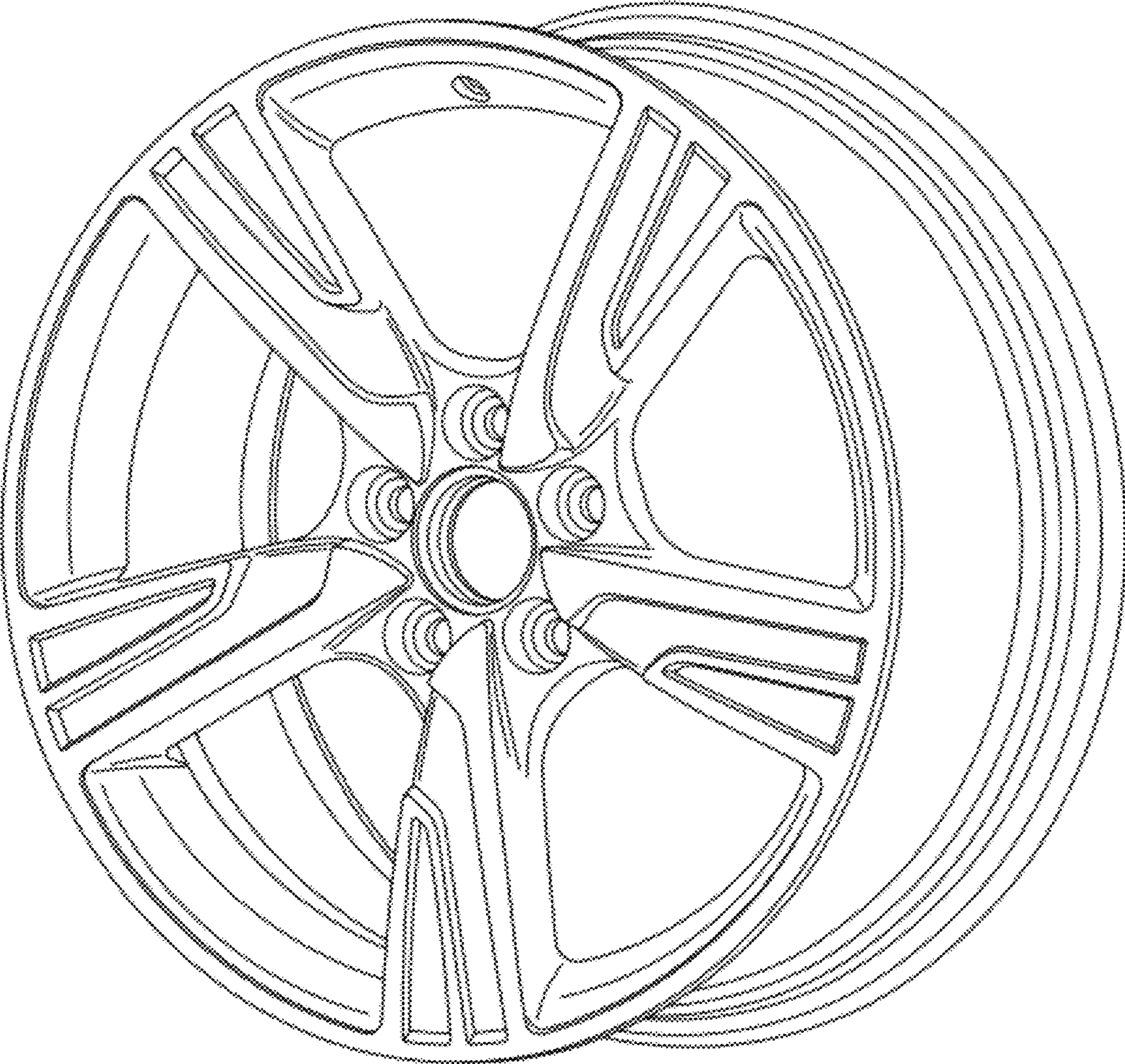


Fig. 1

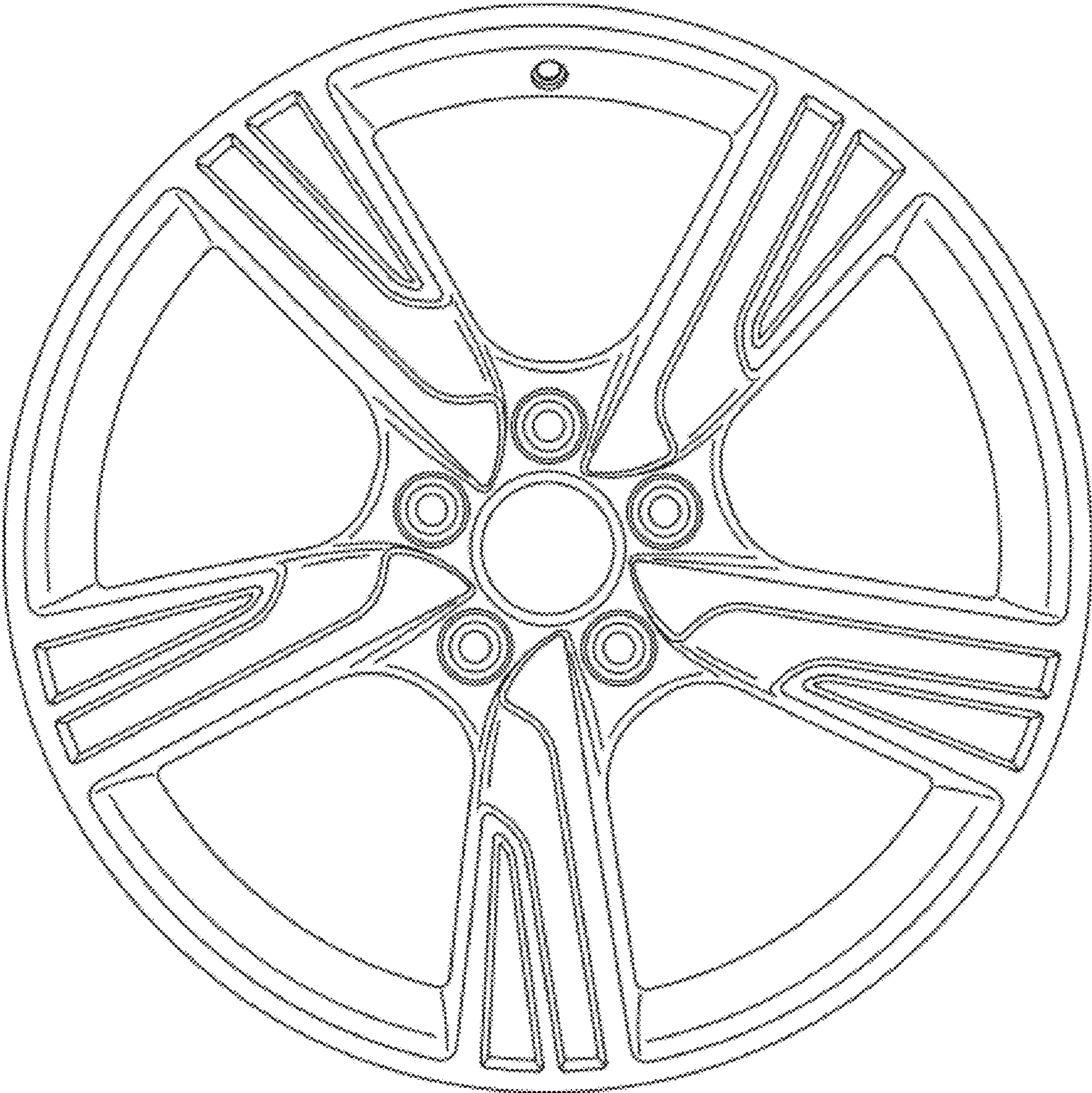


Fig. 2