



US00D671874S

(12) **United States Design Patent**
Kekich, Jr. et al.

(10) **Patent No.:** **US D671,874 S**

(45) **Date of Patent:** **** Dec. 4, 2012**

(54) **VEHICULAR SIDE BAR**

(75) Inventors: **Peter Kekich, Jr.**, Palm Desert, CA (US); **Ron Storer**, Villa Park, CA (US)

(73) Assignee: **IDDEA California, LLC**, Brea, CA (US)

(**) Term: **14 Years**

(21) Appl. No.: **29/405,026**

(22) Filed: **Oct. 27, 2011**

(51) **LOC (9) Cl.** **12-16**

(52) **U.S. Cl.** **D12/203**

(58) **Field of Classification Search** D12/203,
D12/162; D6/582-586, 592-594; 280/163-164.1,
280/169; 15/215-217; 428/138.141; 296/97.23
See application file for complete search history.

(56) **References Cited**

U.S. PATENT DOCUMENTS

1,212,572 A	1/1917	Sheridan	
2,559,123 A	7/1951	Jackson	
T977005 I4	12/1978	Sidles et al.	
4,200,303 A	4/1980	Kelly	
4,639,032 A	1/1987	Barbour	
4,935,638 A	6/1990	Straka	
5,046,582 A	9/1991	Albrecht	
5,732,996 A	3/1998	Graffy et al.	
6,588,783 B2	7/2003	Fichter	
D495,283 S *	8/2004	Ashley et al.	D12/203
D505,901 S *	6/2005	Wang	D12/203
D545,747 S *	7/2007	Storer	D12/203
D546,745 S *	7/2007	Storer	D12/203
D568,222 S *	5/2008	Storer	D12/203

7,717,444 B2 *	5/2010	Fichter	280/163
D658,559 S *	5/2012	Hodges	D12/203
D665,713 S *	8/2012	Pochurek et al.	D12/203

FOREIGN PATENT DOCUMENTS

EP	0173227 A2	3/1986
EP	0210465 A2	2/1987

* cited by examiner

Primary Examiner — Stacia Cadmus

(74) *Attorney, Agent, or Firm* — Stetina Brunda Garred & Brucker

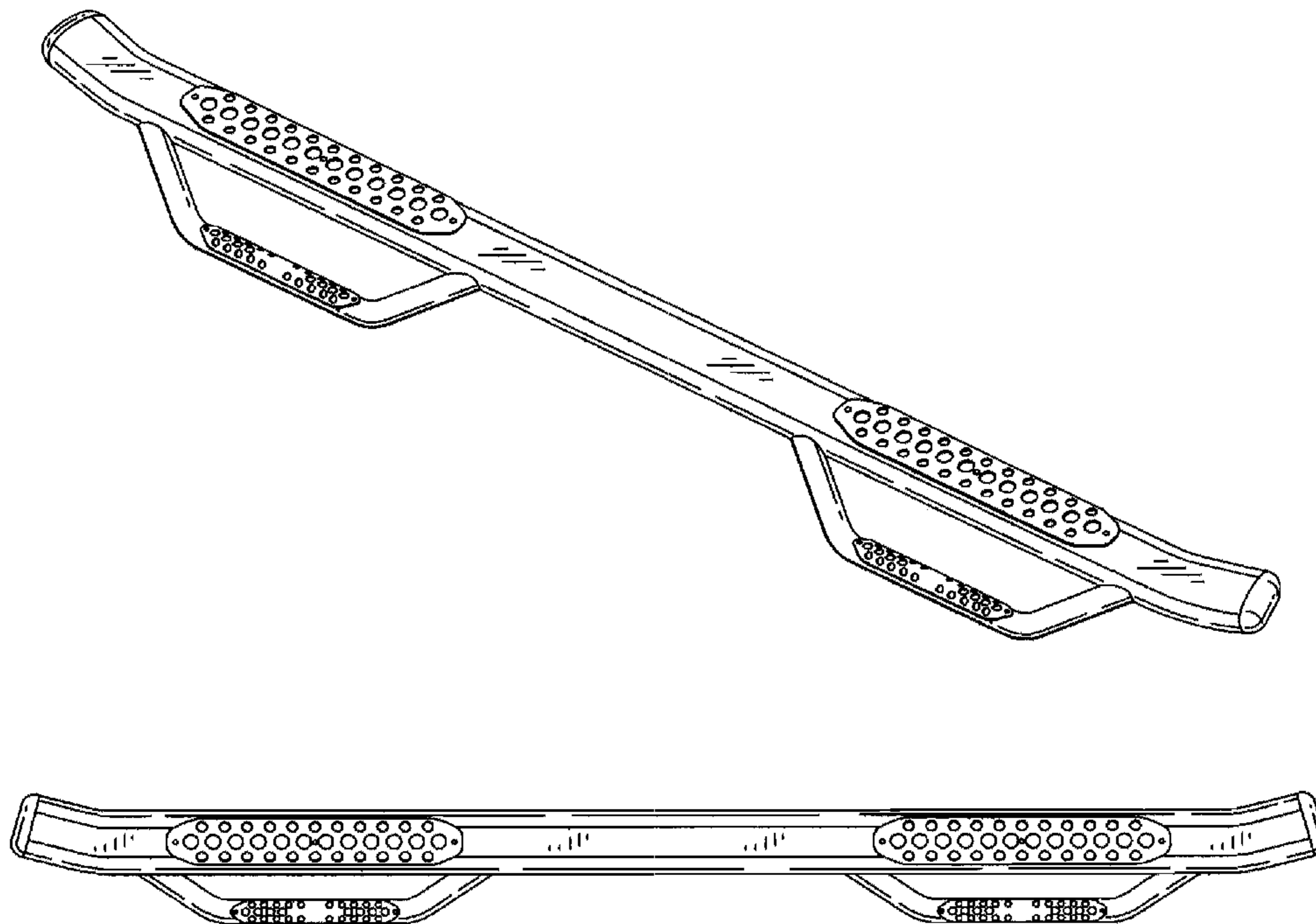
(57) **CLAIM**

The ornamental design for a vehicular side bar, as shown and described.

DESCRIPTION

FIG. 1 is a perspective view of the vehicular side bar of the present invention showing our new design;
 FIG. 2 is a top plan view thereof;
 FIG. 3 is a front side view thereof;
 FIG. 4 is an end view thereof;
 FIG. 5 is a rear elevational view thereof;
 FIG. 6 is a bottom plan view thereof;
 FIG. 7 is a perspective view of a second embodiment of the vehicular side bar of the present invention showing our new design;
 FIG. 8 is a top plan view thereof;
 FIG. 9 is a front elevational view thereof;
 FIG. 10 is an end view thereof;
 FIG. 11 is a rear elevational view thereof; and,
 FIG. 12 is a bottom plan view thereof.

1 Claim, 4 Drawing Sheets



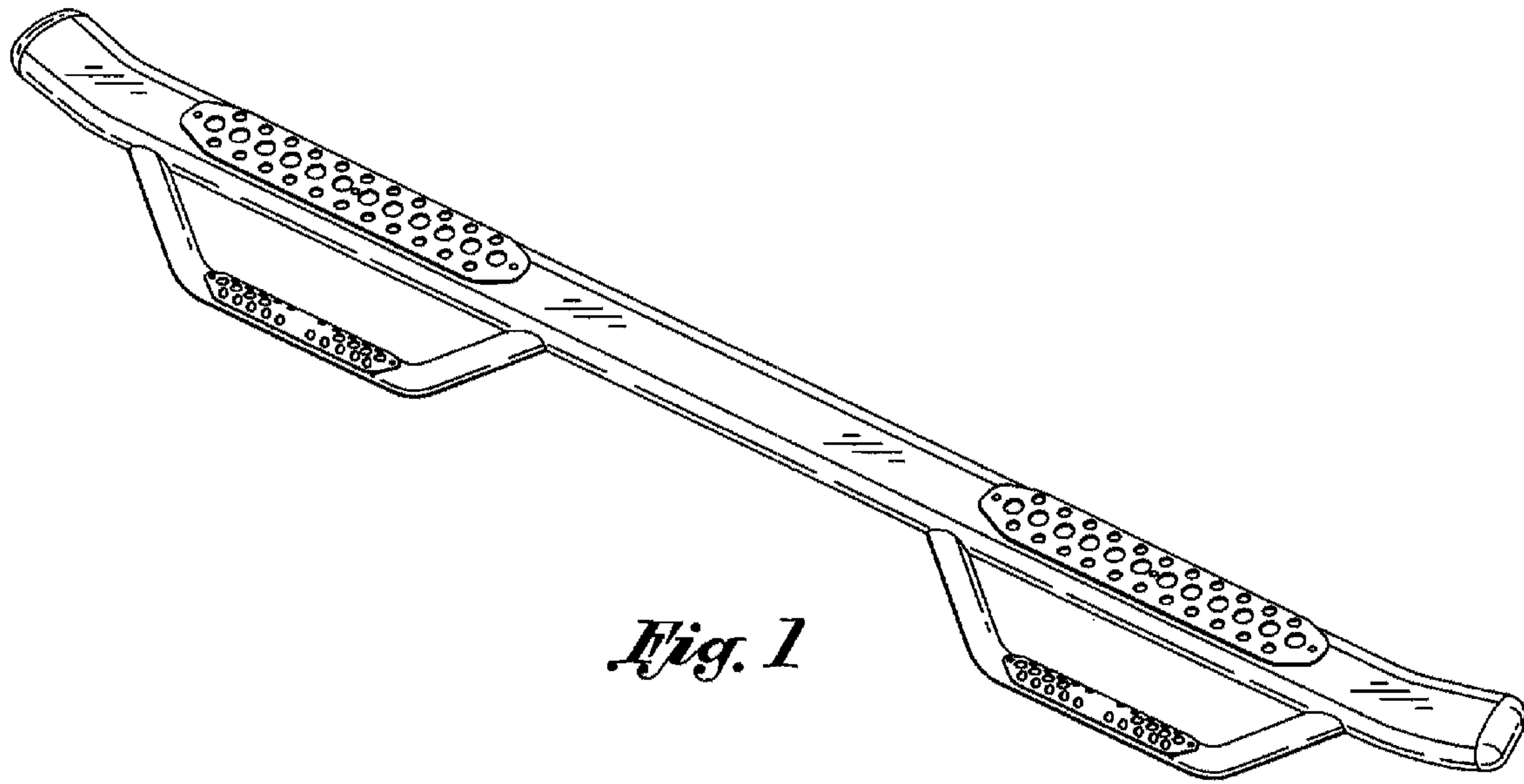


Fig. 1

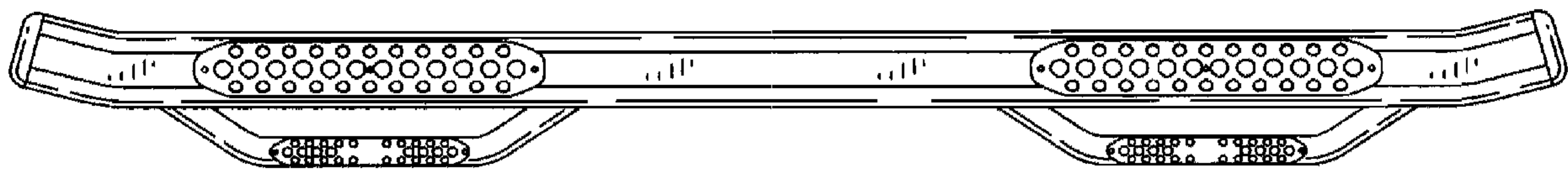


Fig. 2

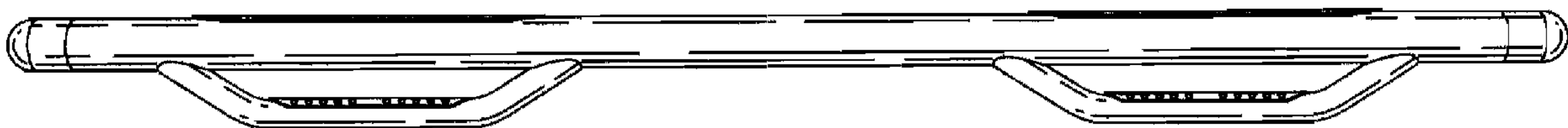


Fig. 3

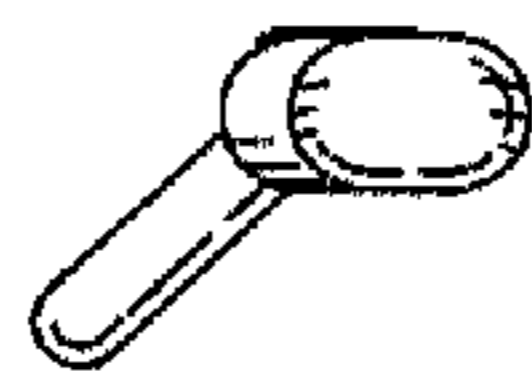


Fig. 4

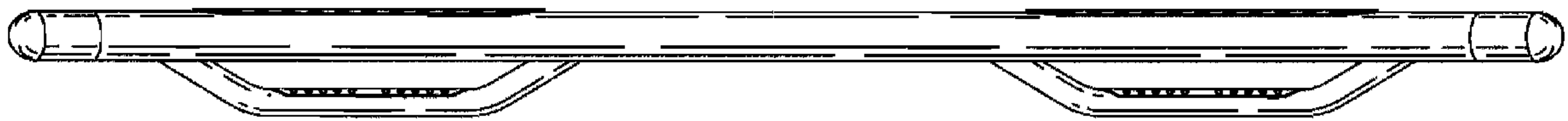


Fig. 5

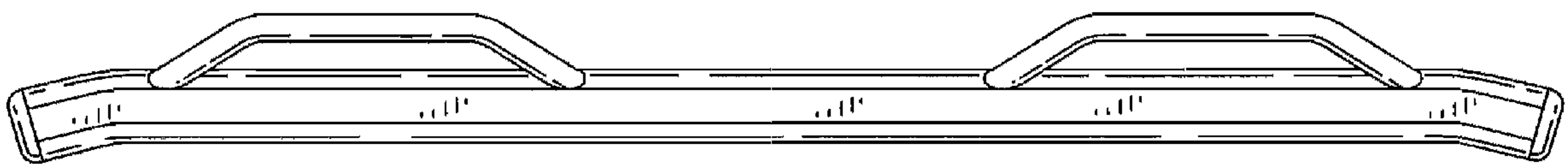


Fig. 6

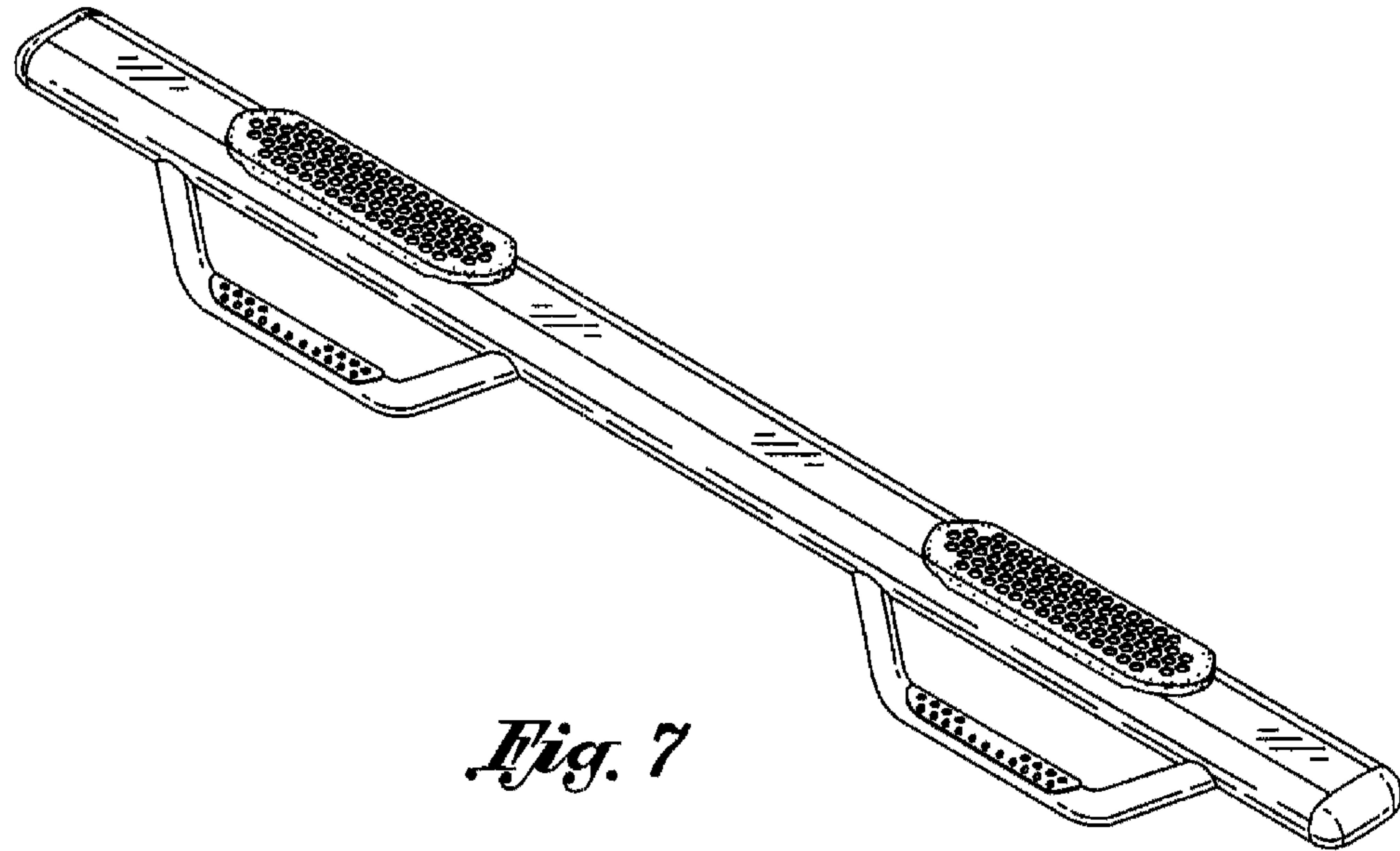


Fig. 7

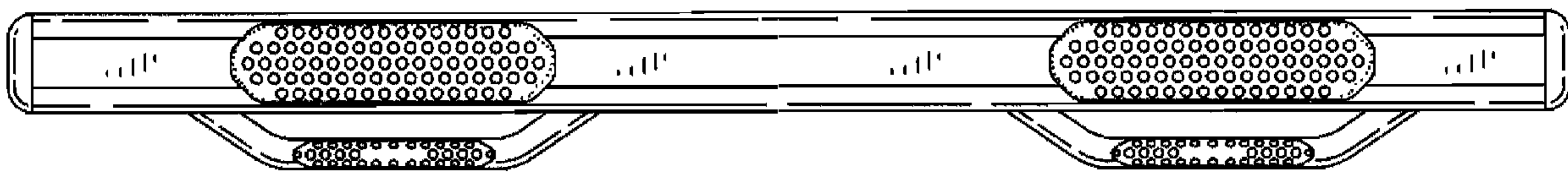


Fig. 8

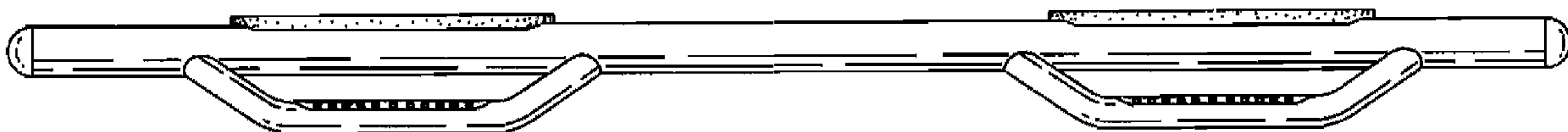


Fig. 9

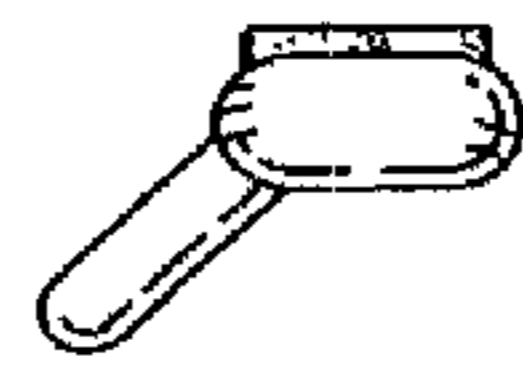


Fig. 10

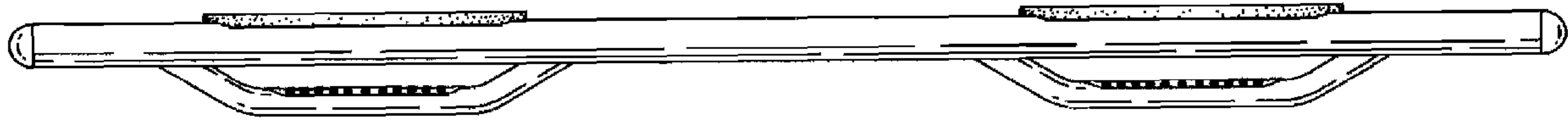


Fig. 11

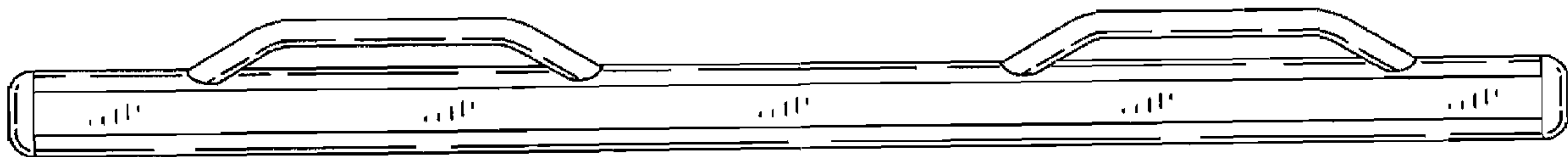


Fig. 12