

US00D671873S

(12) **United States Design Patent**  
**Yamada et al.**

(10) **Patent No.:** **US D671,873 S**  
(45) **Date of Patent:** **\*\* Dec. 4, 2012**

(54) **REAR FENDER FOR AN AUTOMOBILE**

D658,557 S \* 5/2012 Hakamata et al. .... D12/196  
D658,558 S \* 5/2012 Hakamata et al. .... D12/196  
D660,216 S \* 5/2012 Ikuma et al. .... D12/196

(75) Inventors: **Masayuki Yamada**, Aichi-ken (JP);  
**Takahiro Minami**, Kanagawa-ken (JP);  
**Noriyuki Nakamura**, Shizuoka-ken  
(JP); **Junichi Toura**, Shizuoka-ken (JP)

**OTHER PUBLICATIONS**

BMW 3-Series, www.weblio.jp, Dec. 22, 2010.  
Citroen C5 Estate, Dec. 22, 2010.

(73) Assignee: **Toyota Jidosha Kabushiki Kaisha**,  
Toyota-shi (JP)

\* cited by examiner

(\*\*) Term: **14 Years**

*Primary Examiner* — Melody N Brown

(21) Appl. No.: **29/405,134**

(74) *Attorney, Agent, or Firm* — Finnegan, Henderson,  
Farabow, Garrett & Dunner, LLP

(22) Filed: **Oct. 28, 2011**

(57) **CLAIM**

The ornamental design for a rear fender for an automobile, as  
shown and described.

(51) **LOC (9) Cl.** ..... **12-16**

**DESCRIPTION**

(52) **U.S. Cl.** ..... **D12/196**

(58) **Field of Classification Search** ..... D12/184,  
D12/196, 90-92; 280/152.1, 847-849, 851;  
296/181.1, 181.5

FIG. 1 is a right front perspective view of a rear fender for an  
automobile showing our new design;  
FIG. 2 is a left front perspective view thereof;  
FIG. 3 is a front view thereof;  
FIG. 4 is a rear view thereof;  
FIG. 5 is a right side view thereof;  
FIG. 6 is a left side view thereof;  
FIG. 7 is a top plan view thereof; and,  
FIG. 8 is a bottom view thereof.

See application file for complete search history.

The claimed design includes a mirror image of the embodi-  
ment depicted.

(56) **References Cited**

**U.S. PATENT DOCUMENTS**

D592,117 S \* 5/2009 Ward ..... D12/196  
D605,101 S \* 12/2009 Mueller ..... D12/196  
D605,572 S \* 12/2009 Ward ..... D12/196  
D620,413 S \* 7/2010 Huet ..... D12/184  
D633,838 S \* 3/2011 Loeb ..... D12/196

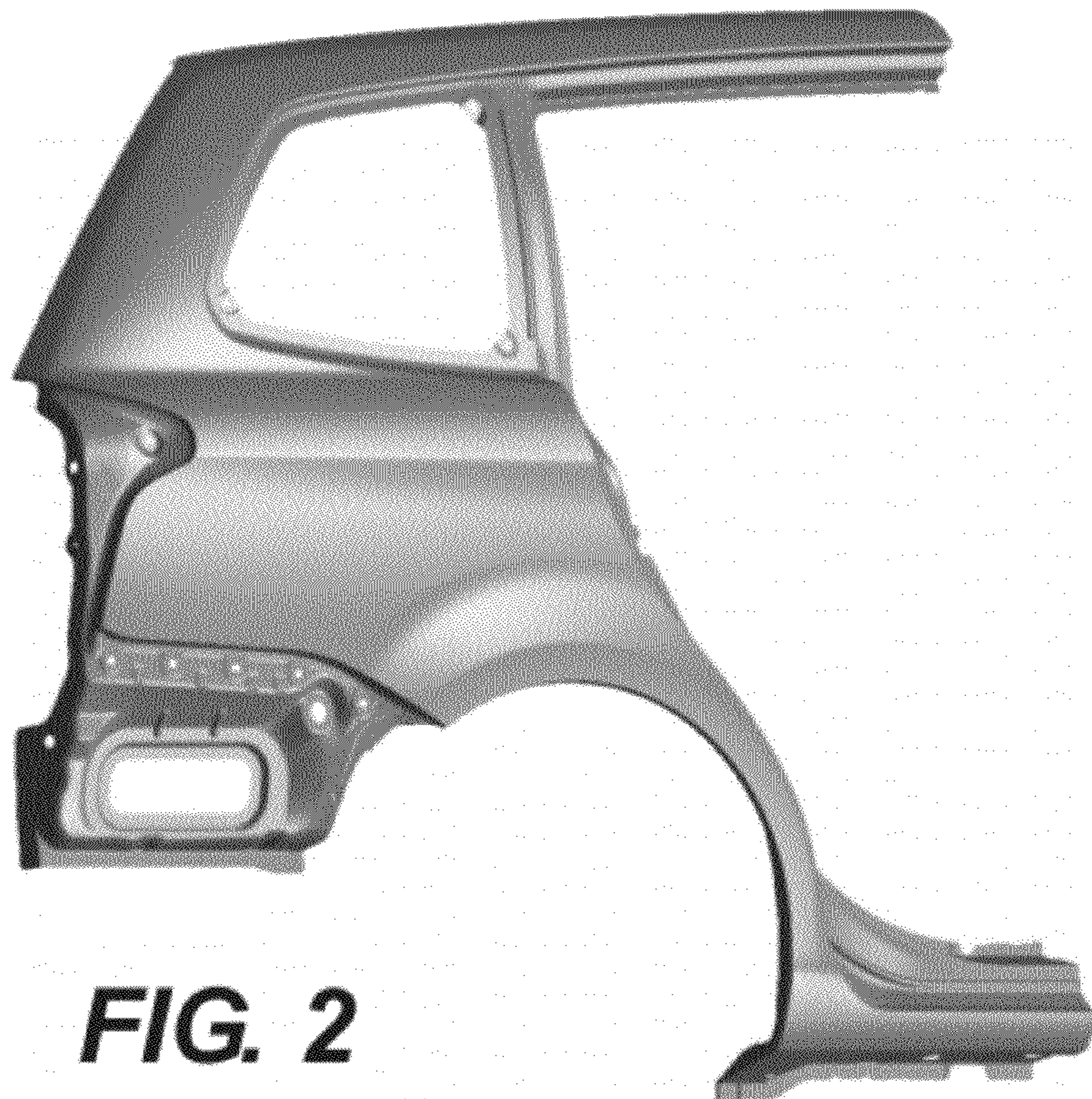
**1 Claim, 4 Drawing Sheets**





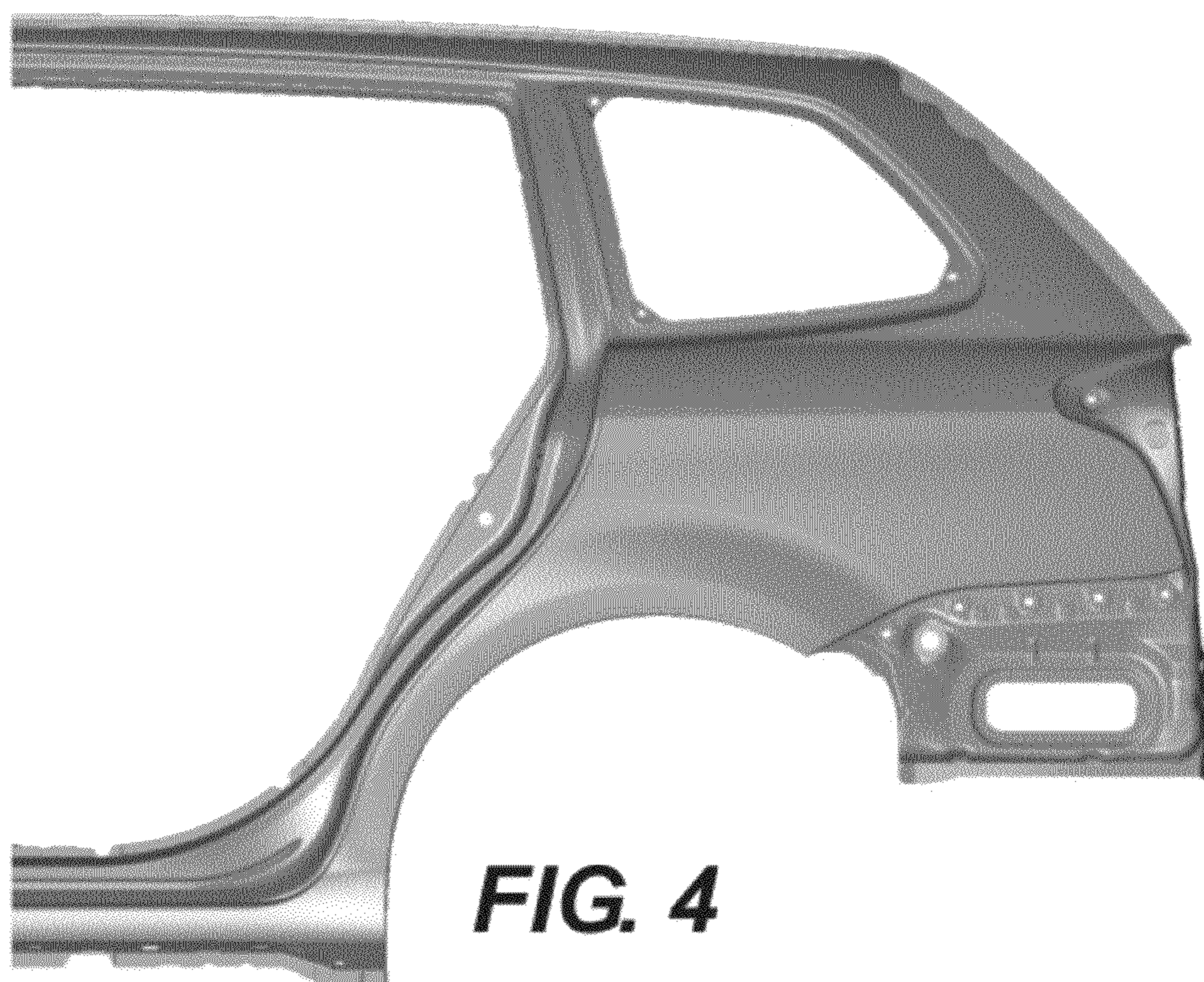
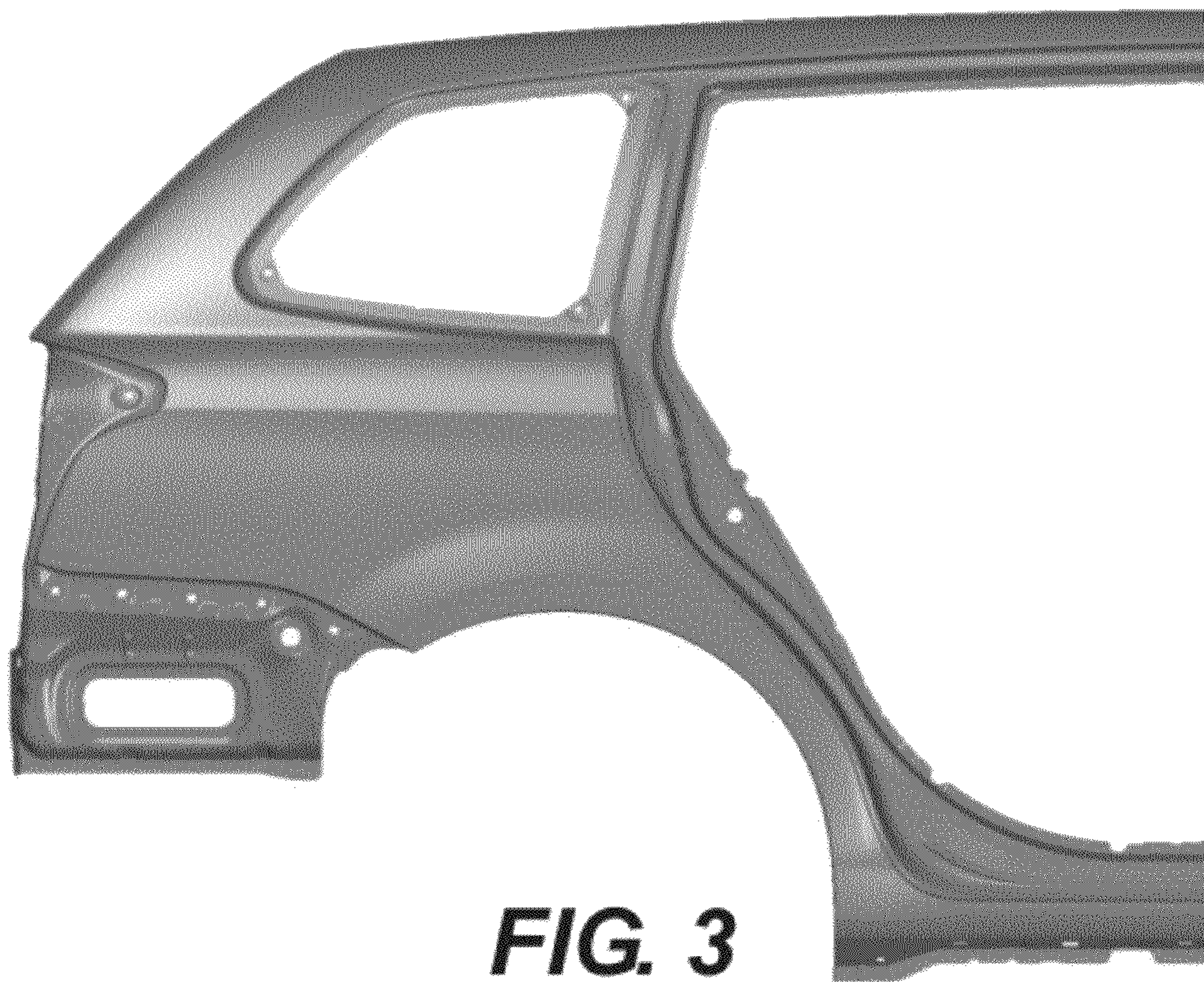


**FIG. 1**

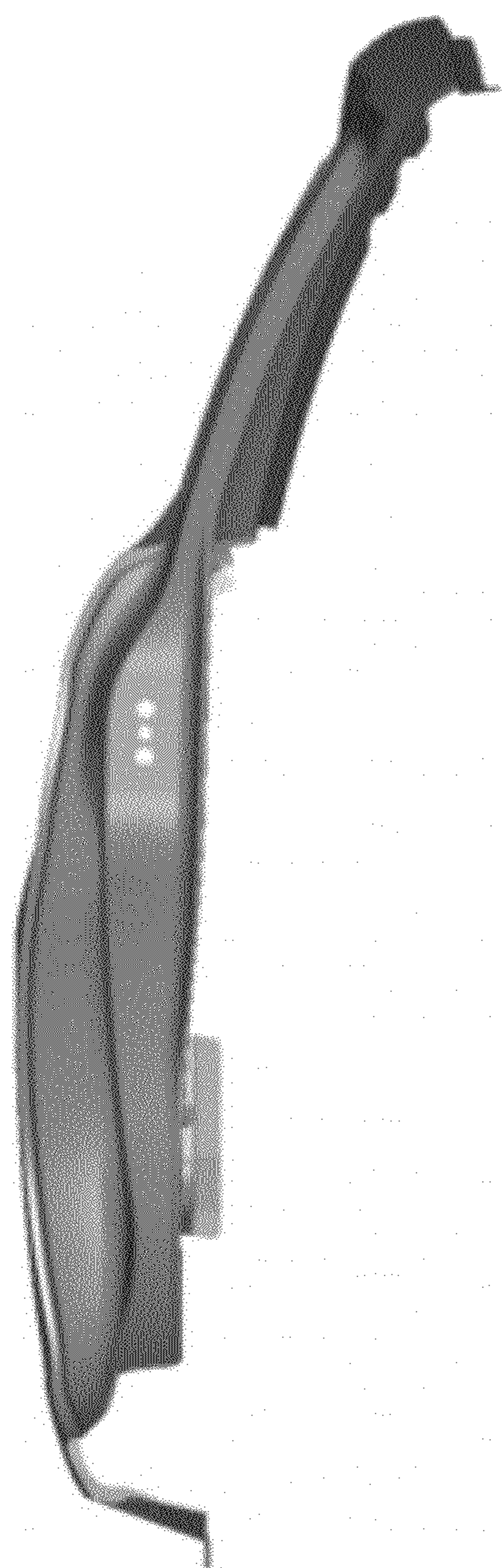


**FIG. 2**

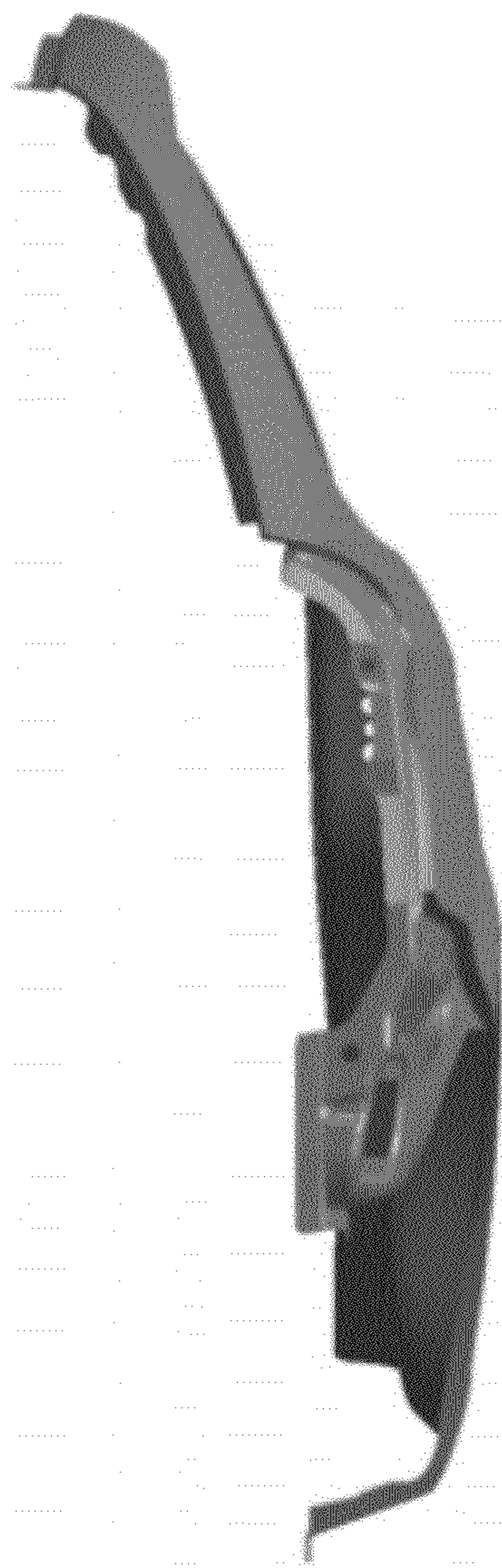






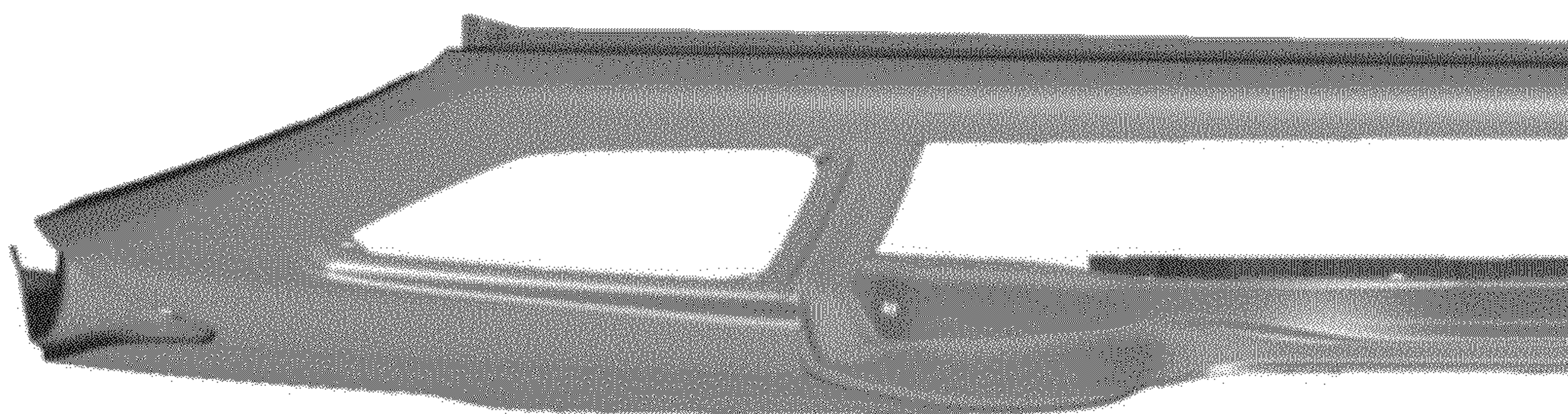


**FIG. 5**

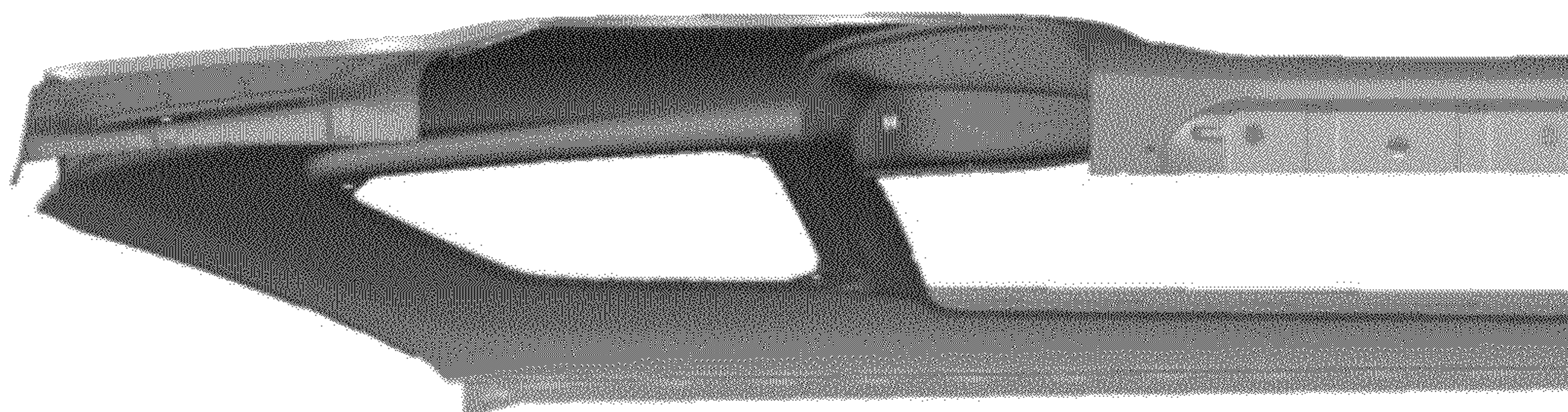


**FIG. 6**





**FIG. 7**



**FIG. 8**