



US00D671866S

(12) **United States Design Patent**  
**Liu et al.**

(10) **Patent No.:** **US D671,866 S**  
(45) **Date of Patent:** **\*\* Dec. 4, 2012**

(54) **FRAME OF A STROLLER**

D621,306 S \* 8/2010 Liao ..... D12/129  
D654,406 S \* 2/2012 Henry ..... D12/129  
D661,624 S \* 6/2012 Stopp ..... D12/129

(75) Inventors: **Weidong Liu**, Taipei (TW); **Er-xue Wang**, Taipei (TW)

\* cited by examiner

(73) Assignee: **Wonderland Nurserygoods Company Limited**, Central, Hong Kong (CN)

*Primary Examiner* — Ian Simmons

*Assistant Examiner* — Charles Hanson

(74) *Attorney, Agent, or Firm* — Bacon & Thomas, PLLC

(\*\*) Term: **14 Years**

(57) **CLAIM**

The ornamental design for a frame of a stroller, as shown and described.

(21) Appl. No.: **29/371,635**

**DESCRIPTION**

(22) Filed: **Jun. 15, 2011**

(30) **Foreign Application Priority Data**

Dec. 23, 2010 (CN) ..... 2010 3 0693875

(51) **LOC (9) Cl.** ..... **12-12**

(52) **U.S. Cl.** ..... **D12/129**

(58) **Field of Classification Search** ..... D12/128–133;  
280/62, 647–650, 29, 200, 47.38, 250.1,  
280/259, 642, 658, 304.1; 128/99.1, 100.1  
See application file for complete search history.

FIG. 1 is a perspective view of the frame of the stroller, showing my new design;

FIG. 2 is a front elevation view of the frame of the stroller shown in FIG. 1;

FIG. 3 is a rear elevation view of the frame of the stroller shown in FIG. 1;

FIG. 4 is a top plan view of the frame of the stroller shown in FIG. 1;

FIG. 5 is a bottom plan view of the frame of the stroller shown in FIG. 1;

FIG. 6 is a left-side elevation view of the frame of the stroller shown in FIG. 1;

FIG. 7 is a right-side elevation view of the frame of the stroller shown in FIG. 1;

FIG. 8 is a perspective view of the frame of the stroller shown in FIG. 1 with a set of canopy support; and,

FIG. 9 is a perspective view of the frame of the stroller shown in FIG. 1 but a handlebar of the frame of the stroller is situated at a position opposite to that in FIG. 1.

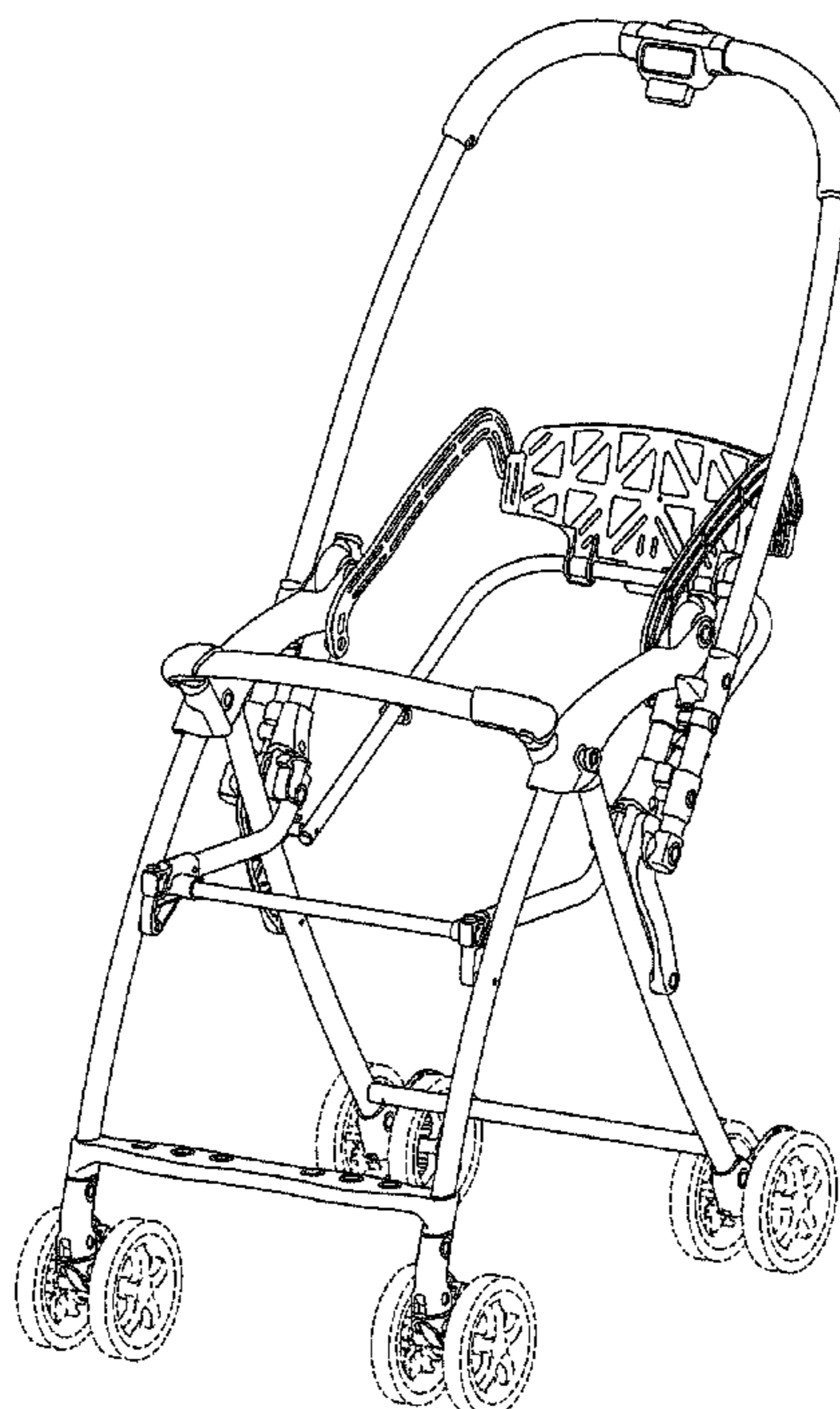
The broken line portions of the drawings are shown for illustrative purposes only and do not form a part of the claimed design.

(56) **References Cited**

U.S. PATENT DOCUMENTS

D451,434 S \* 12/2001 Hsia ..... D12/129  
D486,430 S \* 2/2004 Chang ..... D12/129  
D519,421 S \* 4/2006 Huang ..... D12/129  
D519,422 S \* 4/2006 Huang ..... D12/129  
7,267,359 B1 \* 9/2007 Yang et al. .... 280/642  
D566,013 S \* 4/2008 Wang ..... D12/129  
7,364,171 B2 \* 4/2008 Hu ..... 280/47.38  
D571,263 S \* 6/2008 Lai ..... D12/129  
D578,045 S \* 10/2008 Liao ..... D12/129  
D578,936 S \* 10/2008 Chen ..... D12/129

**1 Claim, 9 Drawing Sheets**



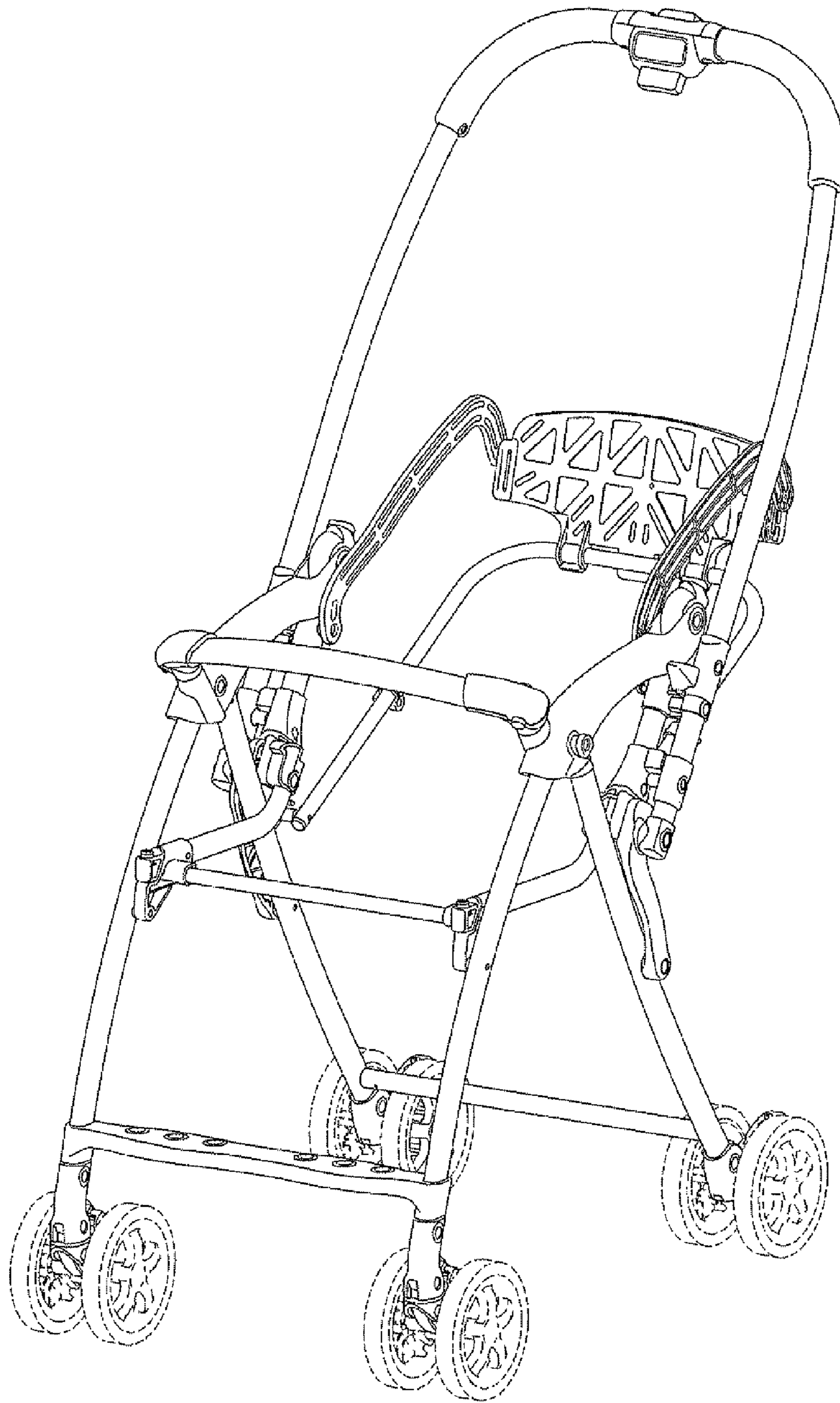


FIG. 1

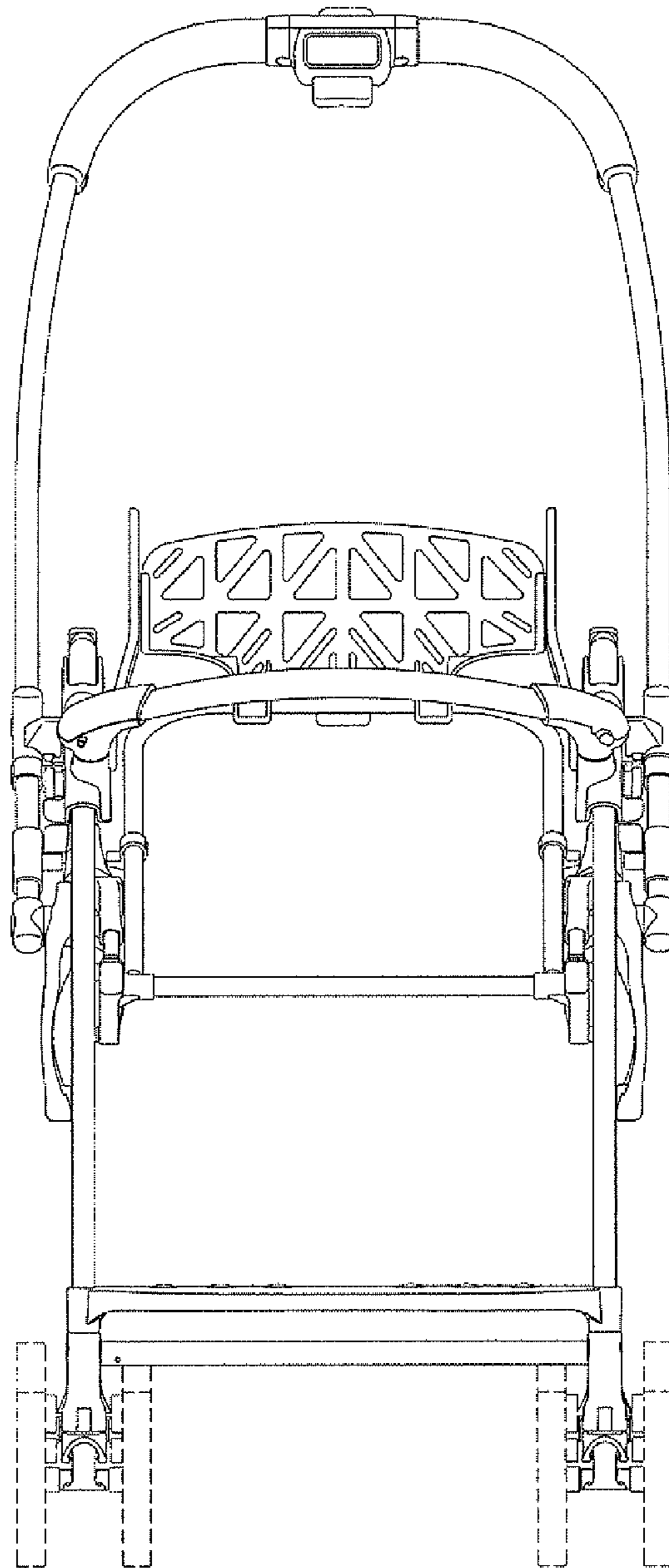


FIG. 2

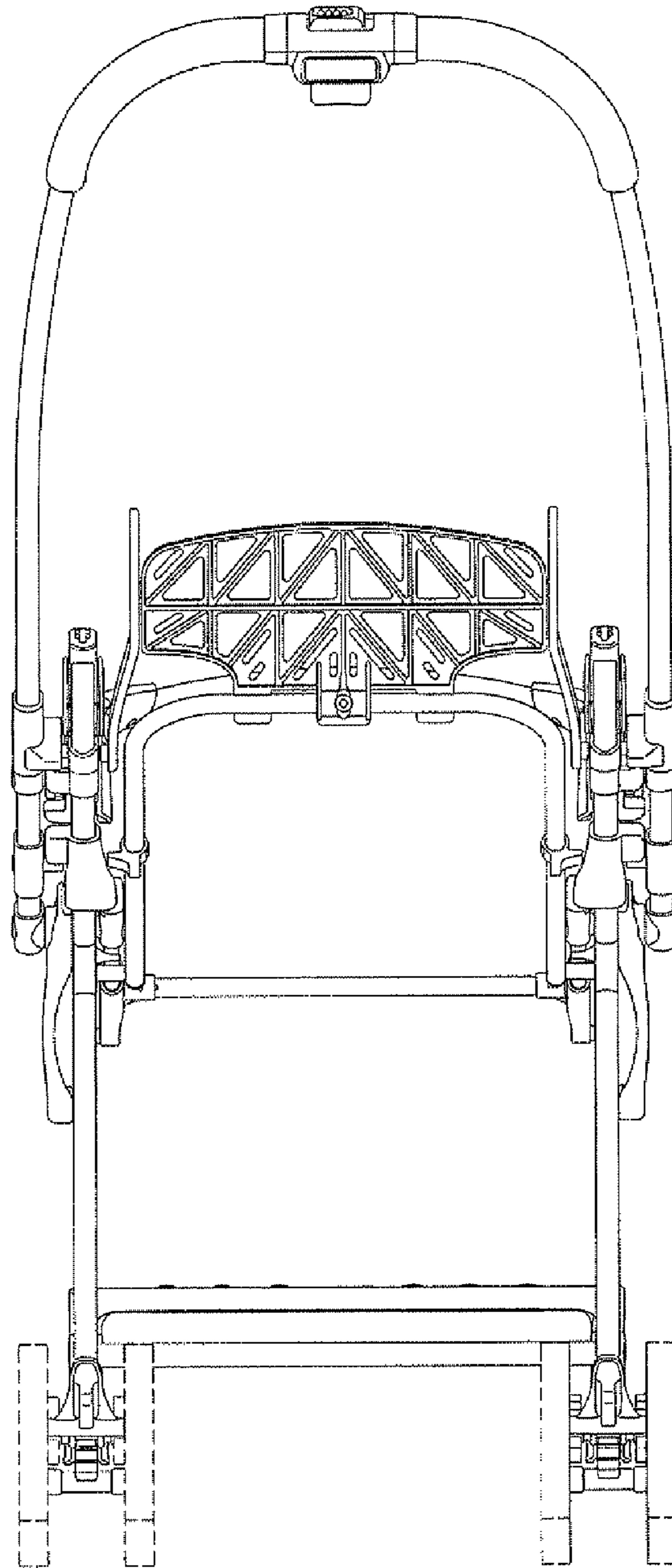


FIG. 3

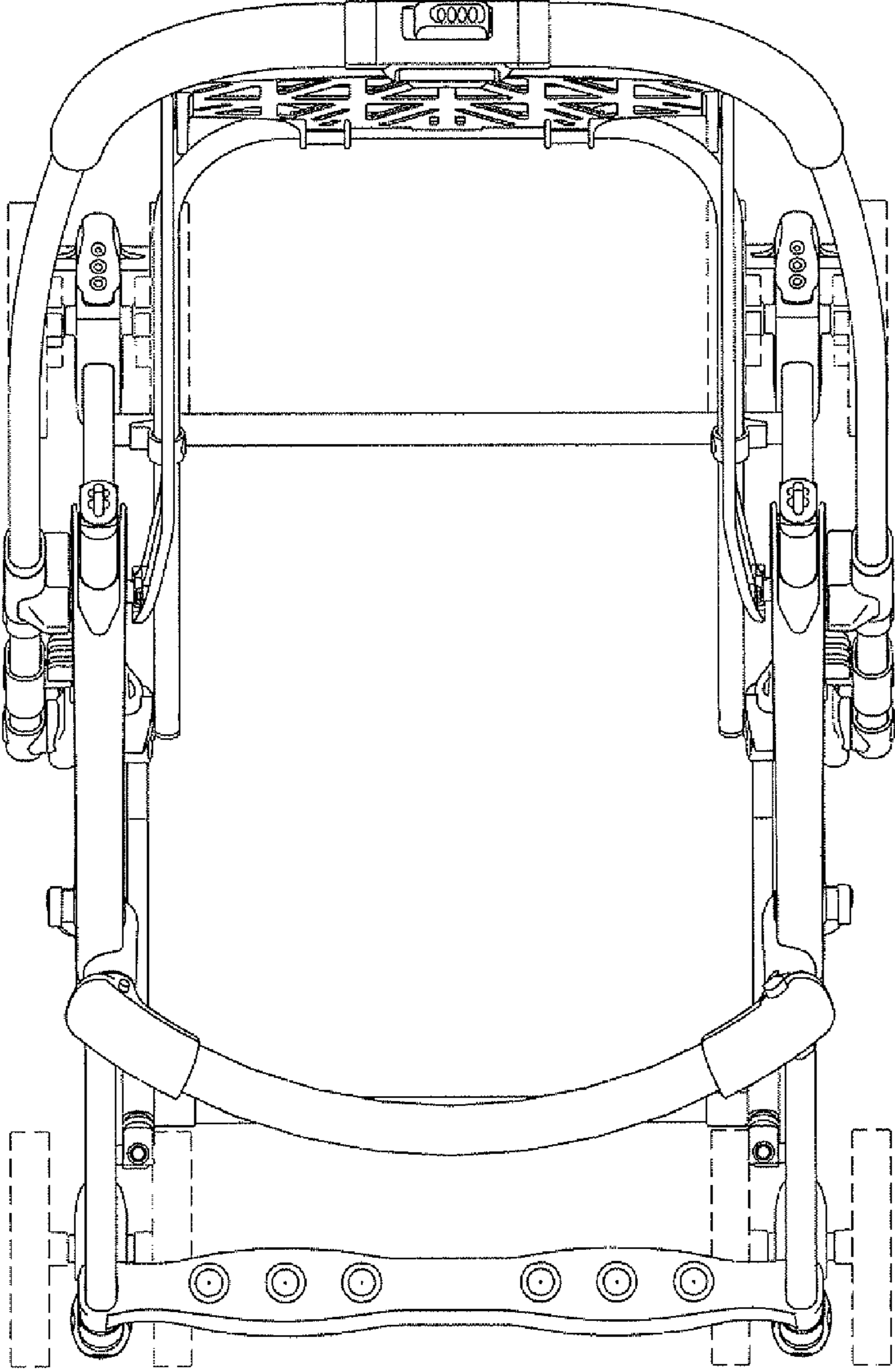


FIG. 4

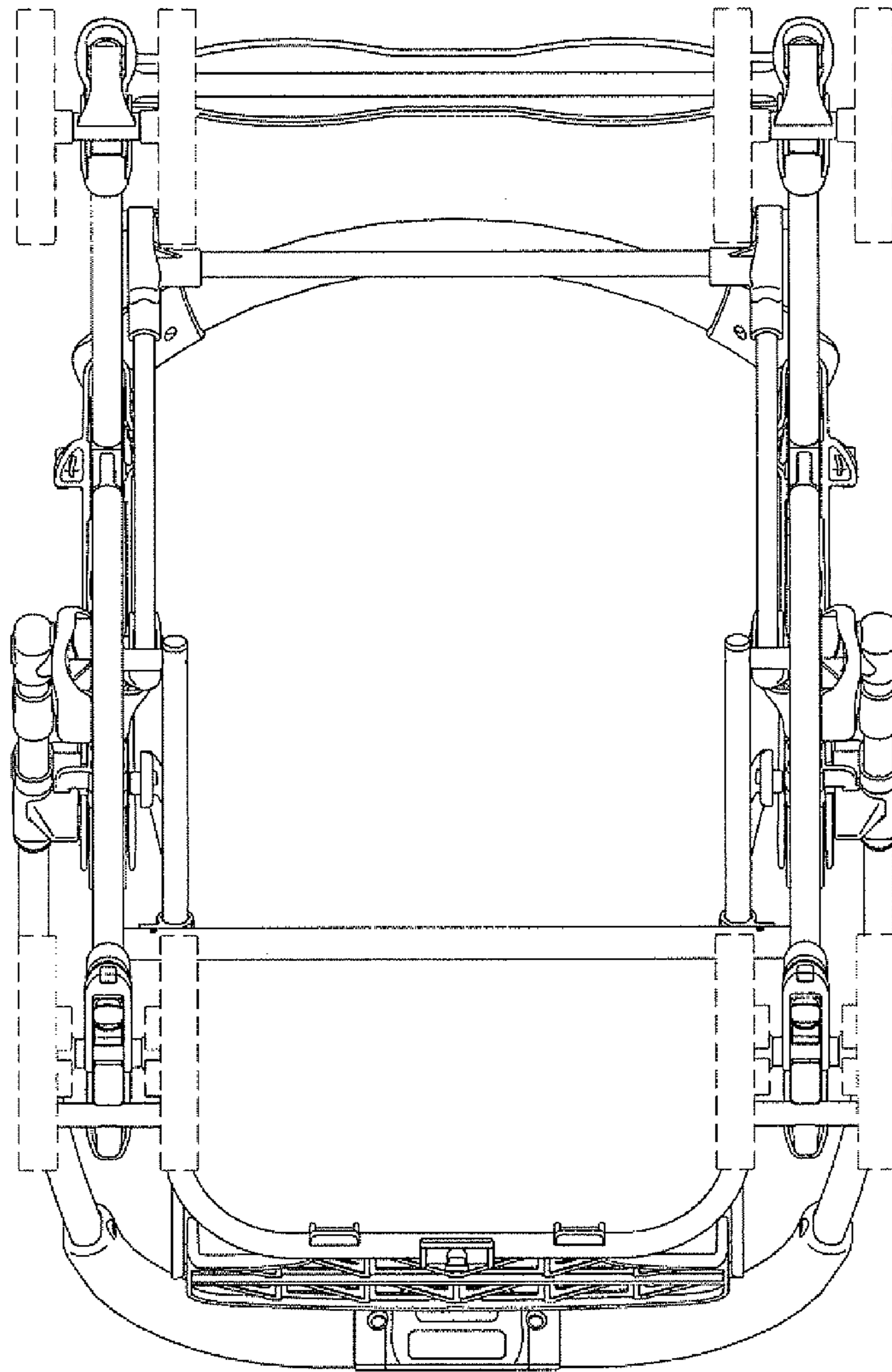


FIG. 5

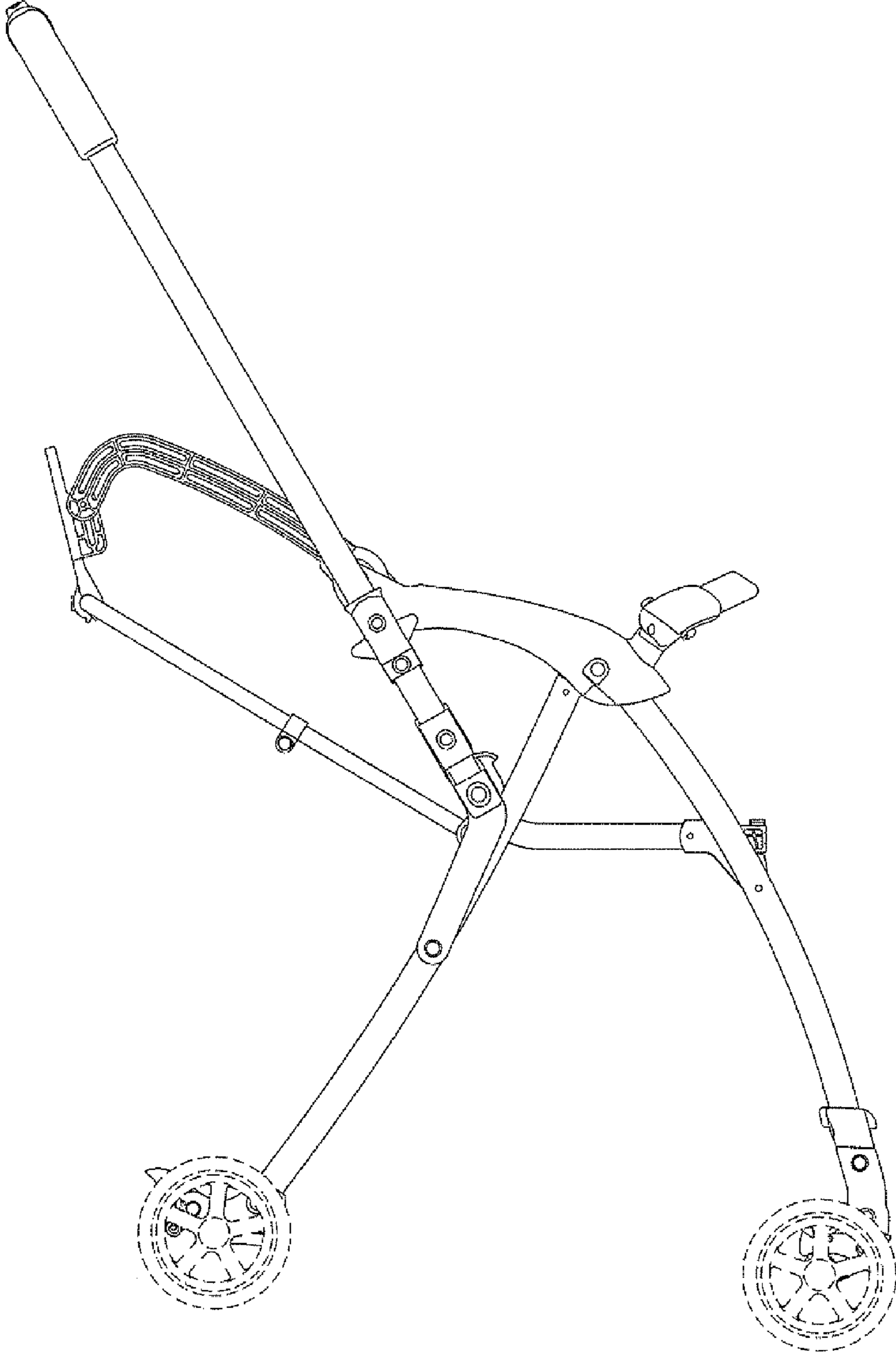


FIG. 6

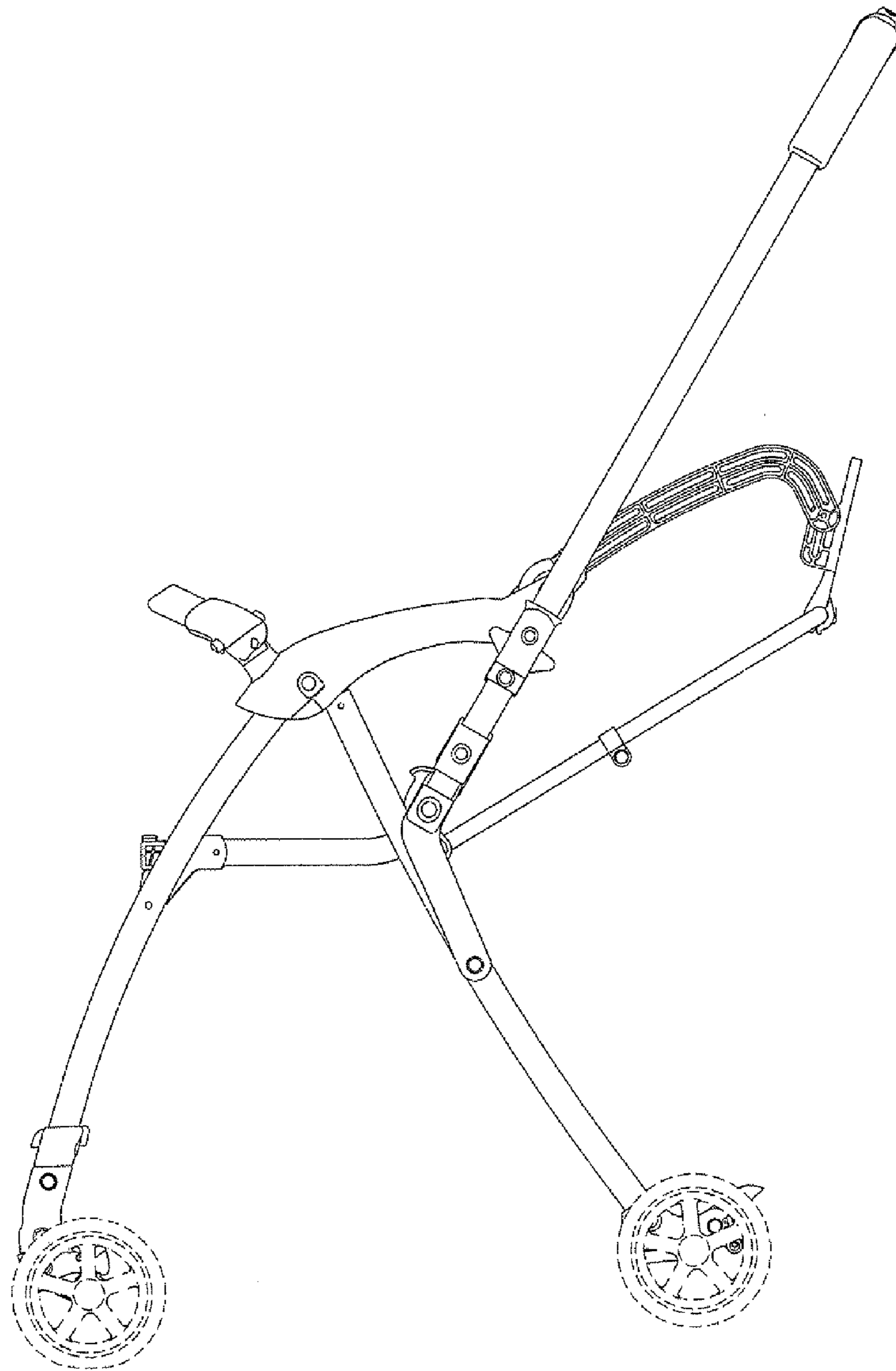


FIG. 7



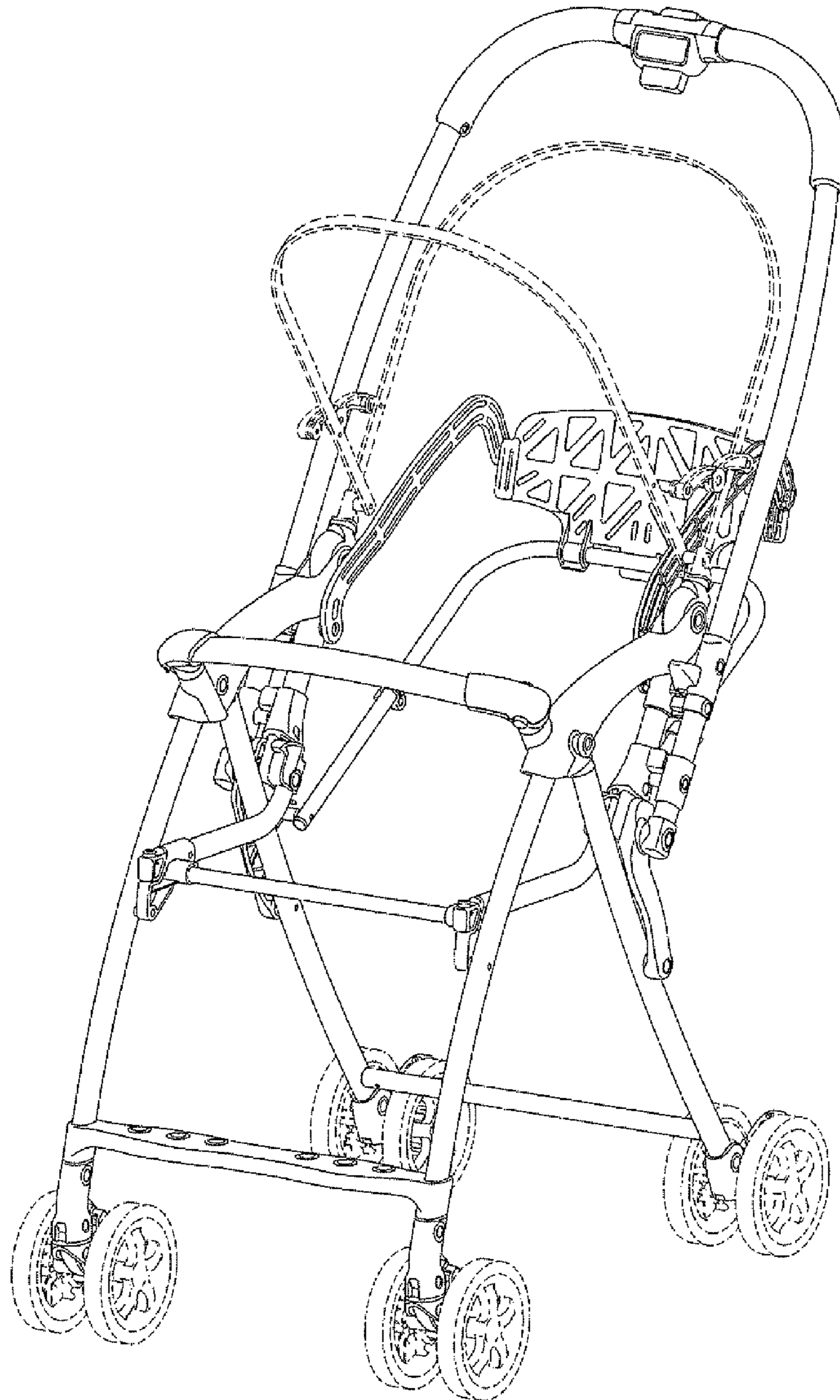


FIG. 8



FIG. 9