



US00D671860S

(12) **United States Design Patent**
Palmer

(10) **Patent No.:** **US D671,860 S**

(45) **Date of Patent:** **** Dec. 4, 2012**

(54) **PLANTER WITH HIDDEN PACKAGE COMPARTMENT**

D605,553 S * 12/2009 White D11/155
D630,548 S * 1/2011 Kaltman et al. D11/164
D665,300 S * 8/2012 Pedersen et al. D11/155

(76) Inventor: **Jennifer L. Palmer**, Beaufort, SC (US)

* cited by examiner

(**) Term: **14 Years**

Primary Examiner — Garth Rademaker

(21) Appl. No.: **29/416,865**

(74) *Attorney, Agent, or Firm* — Montgomery Patent & Design, LLC; Robert C. Montgomery; Joseph Yaksich

(22) Filed: **Mar. 28, 2012**

(57) **CLAIM**

(51) **LOC (9) Cl.** **11-02**

The ornamental design for a planter with hidden package compartment, as shown and described.

(52) **U.S. Cl.** **D11/144; D11/151; D11/155**

(58) **Field of Classification Search** D6/403–405,
D6/556–558; D8/1; D11/143–156, 164;
D19/77, 80, 81, 84; D25/100; D26/9–11,
D26/16, 19; D34/1, 2, 4–6; D99/5, 19; 47/17,
47/32.4, 32.5, 32.7, 33, 39, 41.01, 41.1, 41.11–41.15,
47/44–47, 65, 65.5, 65.9, 66.1, 66.2, 66.6,
47/66.7, 67–71

DESCRIPTION

See application file for complete search history.

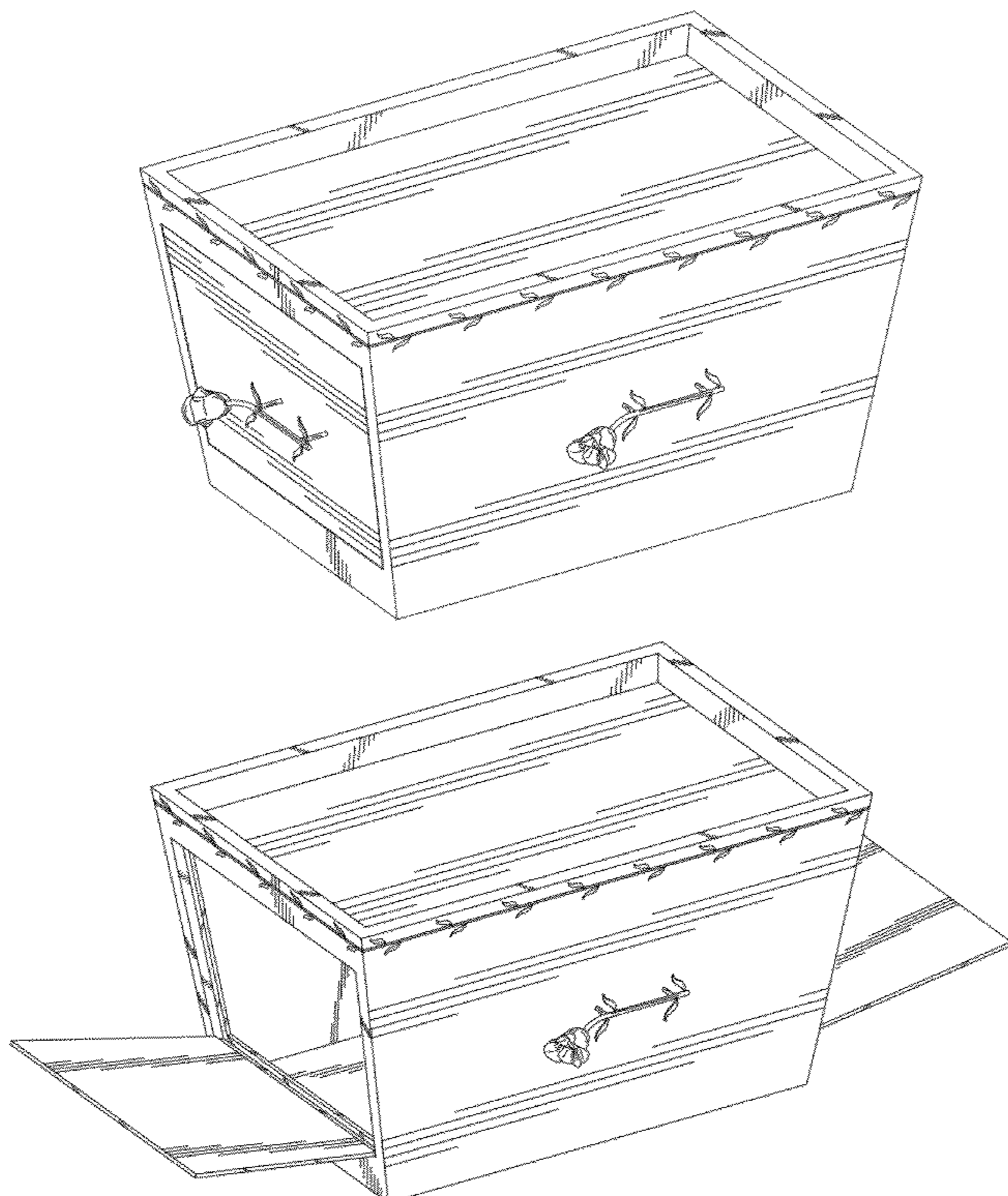
FIG. 1 is a perspective right side view of a planter with hidden package compartment, showing my new design;
FIG. 2 is a front view thereof;
FIG. 3 is a rear view thereof;
FIG. 4 is a left side view thereof;
FIG. 5 is a right side view thereof;
FIG. 6 is a top view thereof;
FIG. 7 is a bottom view thereof;
FIG. 8 is a perspective side view of the planter with hidden package compartment, depicting a plurality of doors in an open state;
FIG. 9 is a front view thereof;
FIG. 10 is rear view thereof;
FIG. 11 is a left side view thereof;
FIG. 12 is a right side view thereof;
FIG. 13 is a top view thereof; and,
FIG. 14 is a bottom view thereof.

(56) **References Cited**

U.S. PATENT DOCUMENTS

D175,103 S * 7/1955 Boyer D11/144
4,250,665 A 2/1981 English et al.
D304,022 S * 10/1989 White D11/155
5,188,063 A 2/1993 Evans
D383,707 S * 9/1997 Waszkiewicz, III D11/155
5,718,178 A 2/1998 Smith
D394,930 S * 6/1998 Creske D34/1
D444,177 S * 6/2001 Carretta D19/77
D488,401 S * 4/2004 Gutierrez D11/155
7,024,818 B2 4/2006 Maniscalco et al.
D552,319 S * 10/2007 Gusdorf D34/1

1 Claim, 14 Drawing Sheets



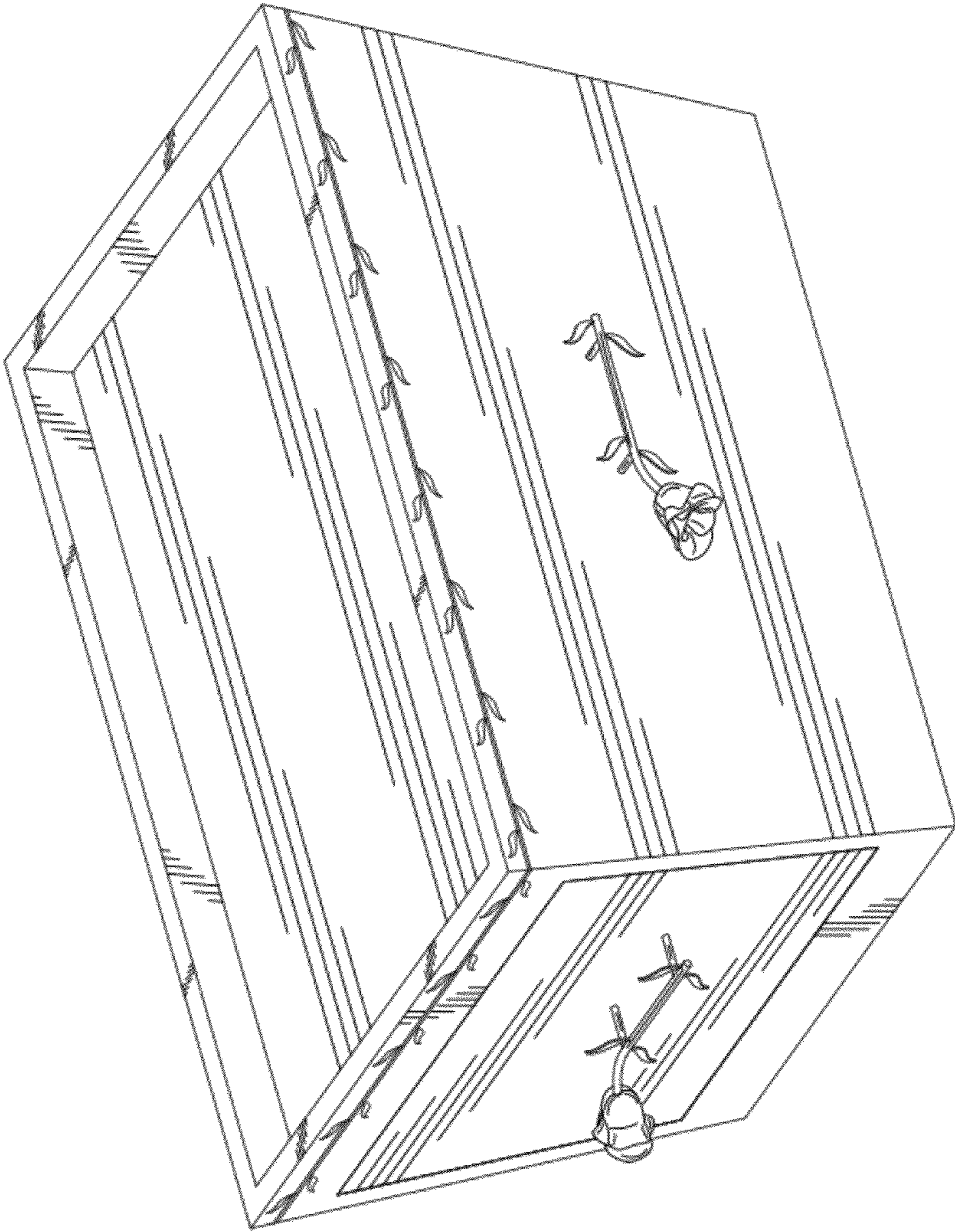


Fig. 1

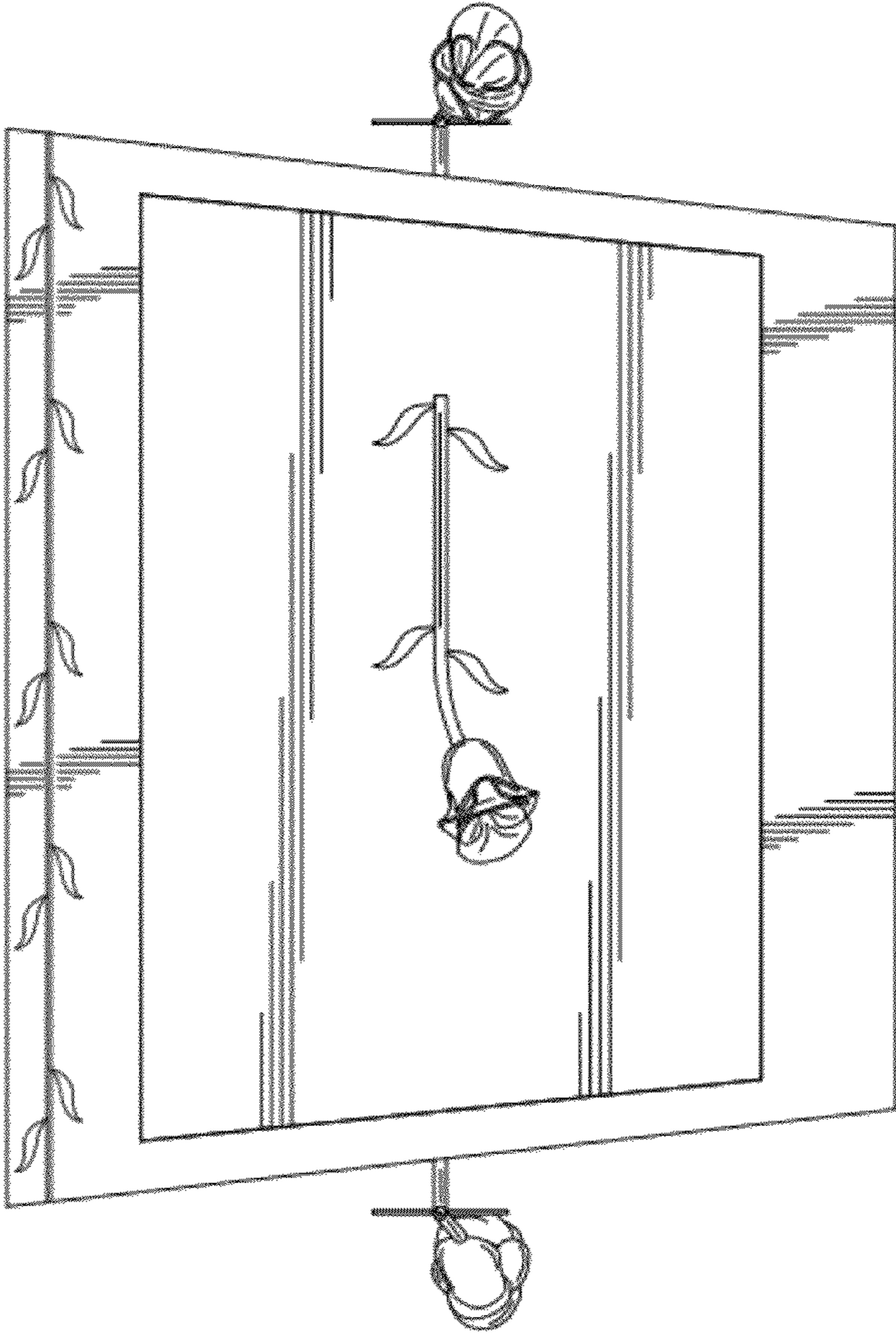


Fig. 2

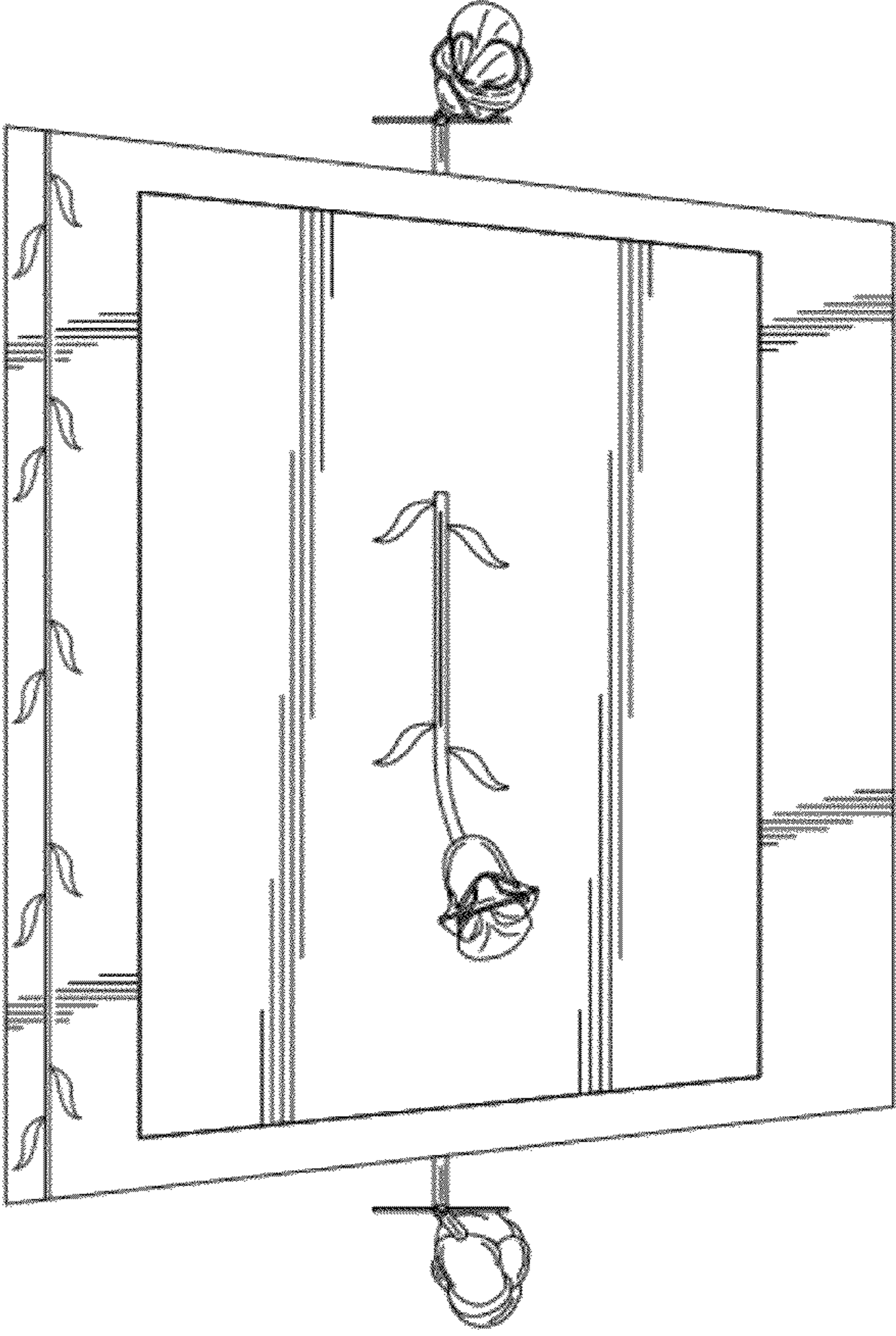


Fig. 3

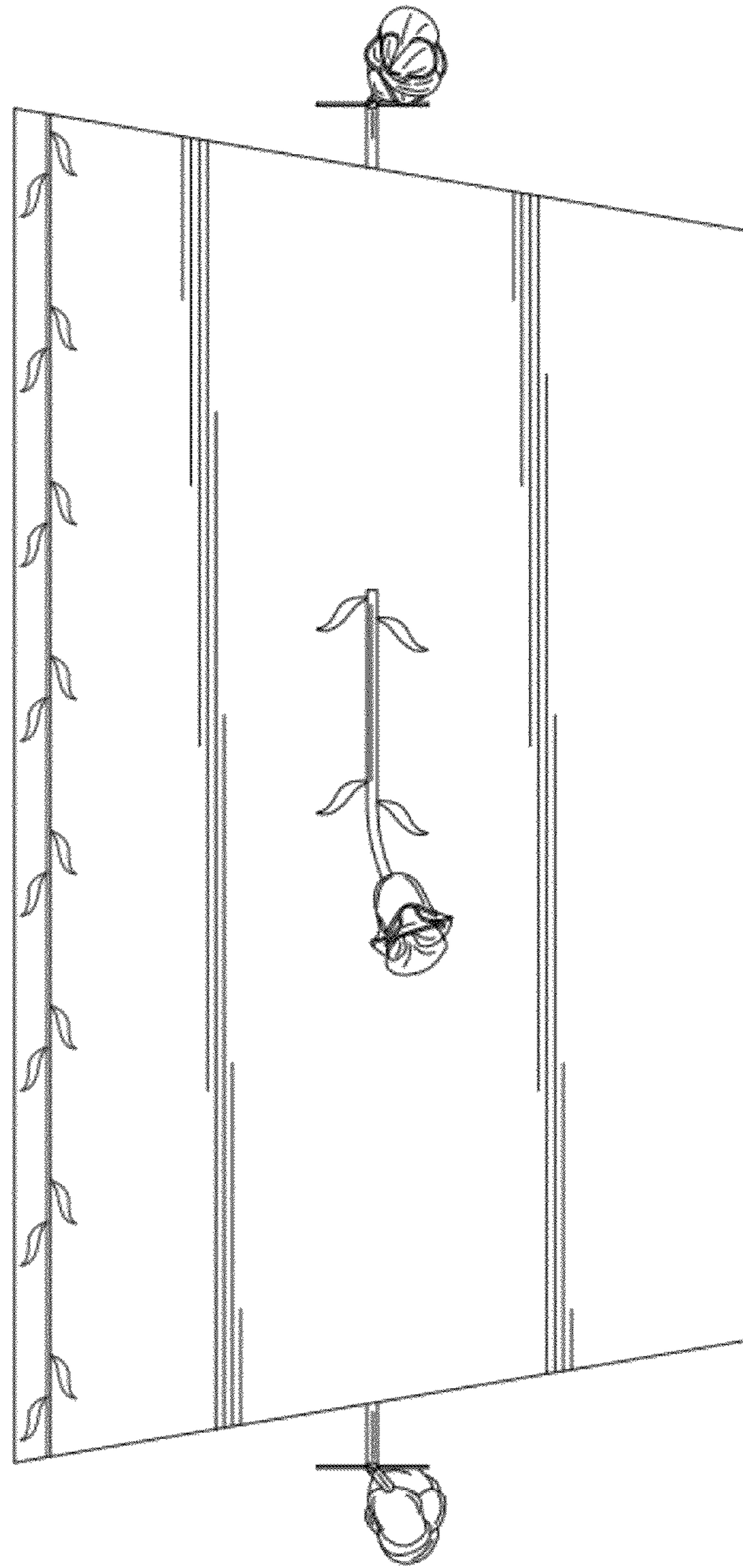


Fig. 4

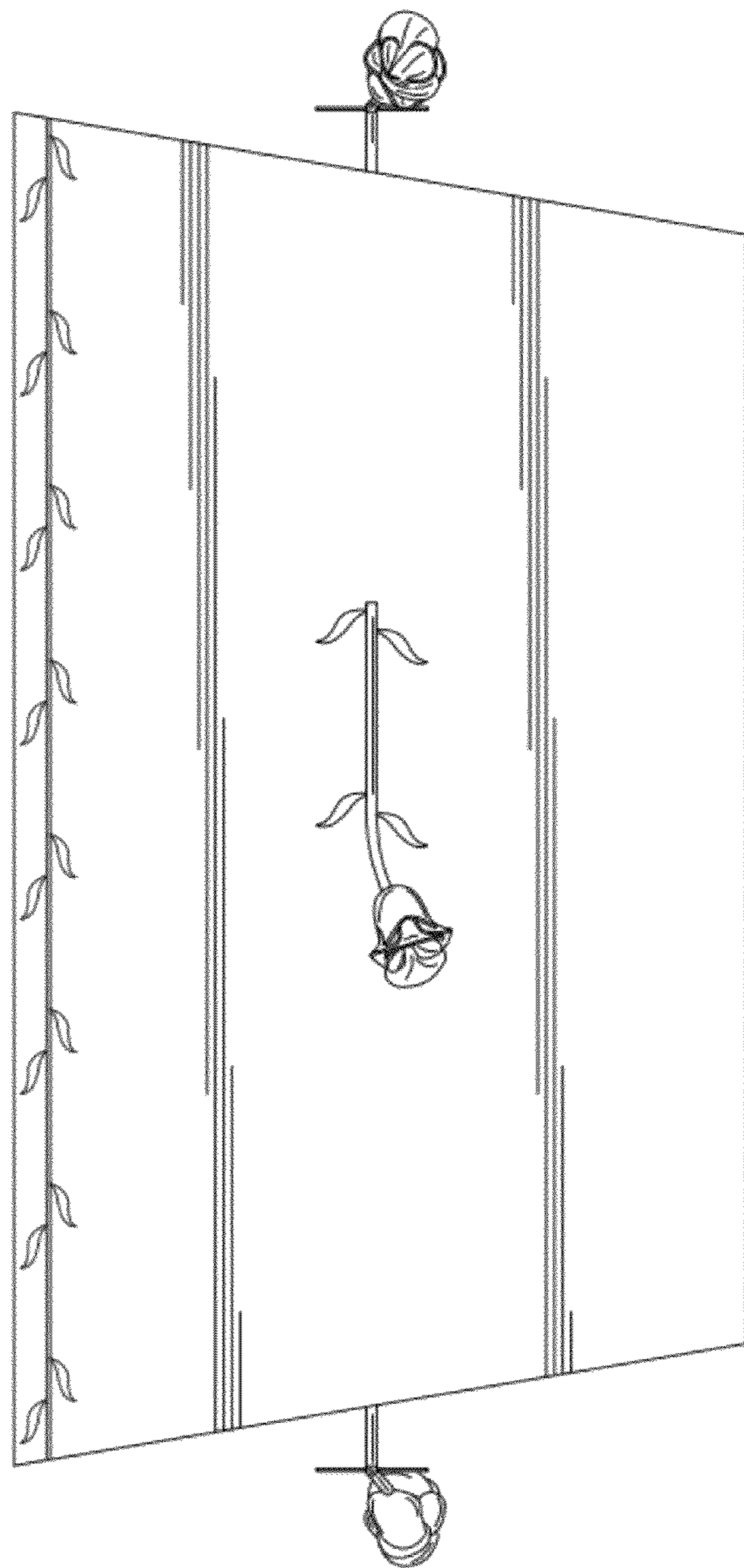


Fig. 5

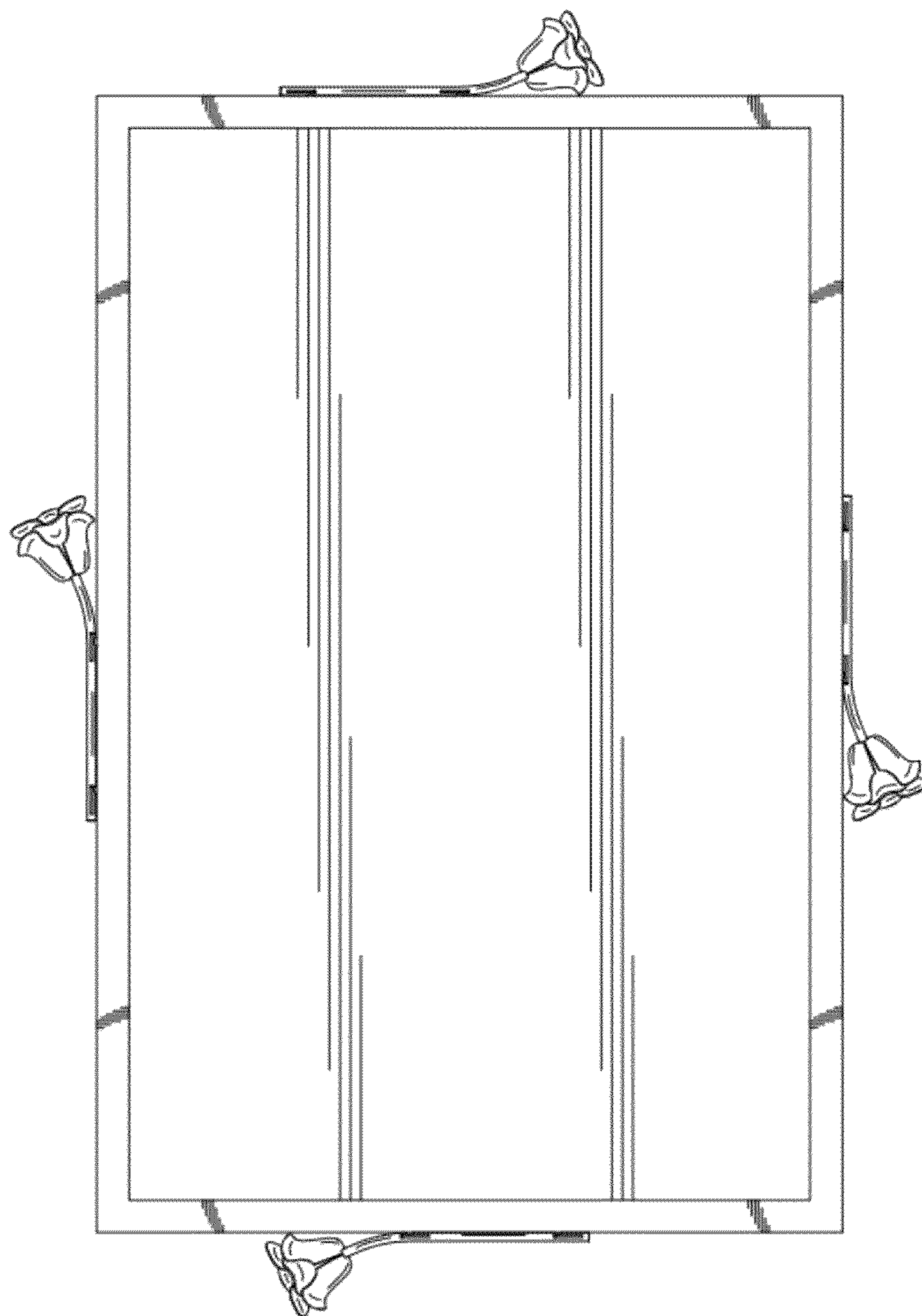


Fig. 6

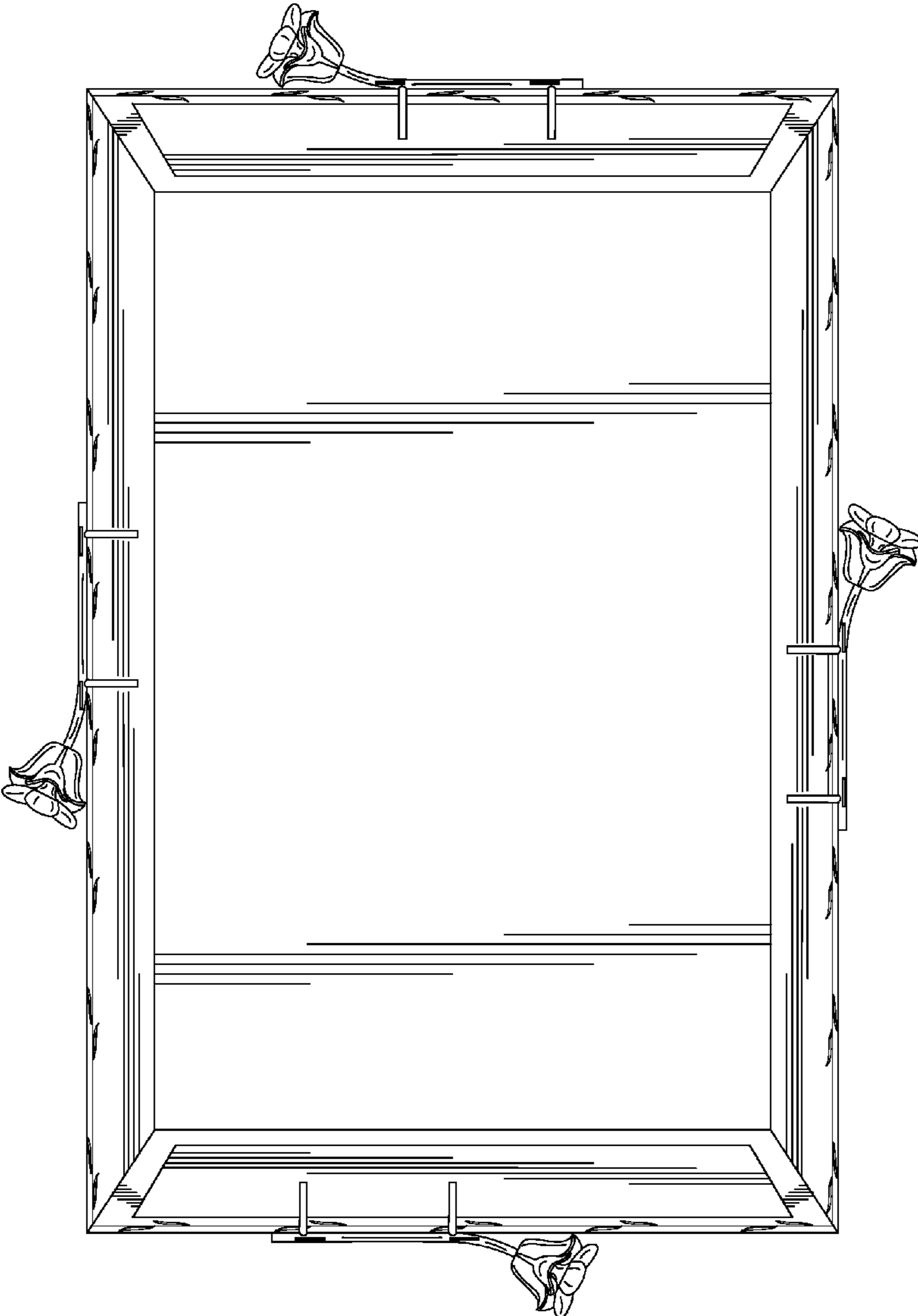


Fig. 7

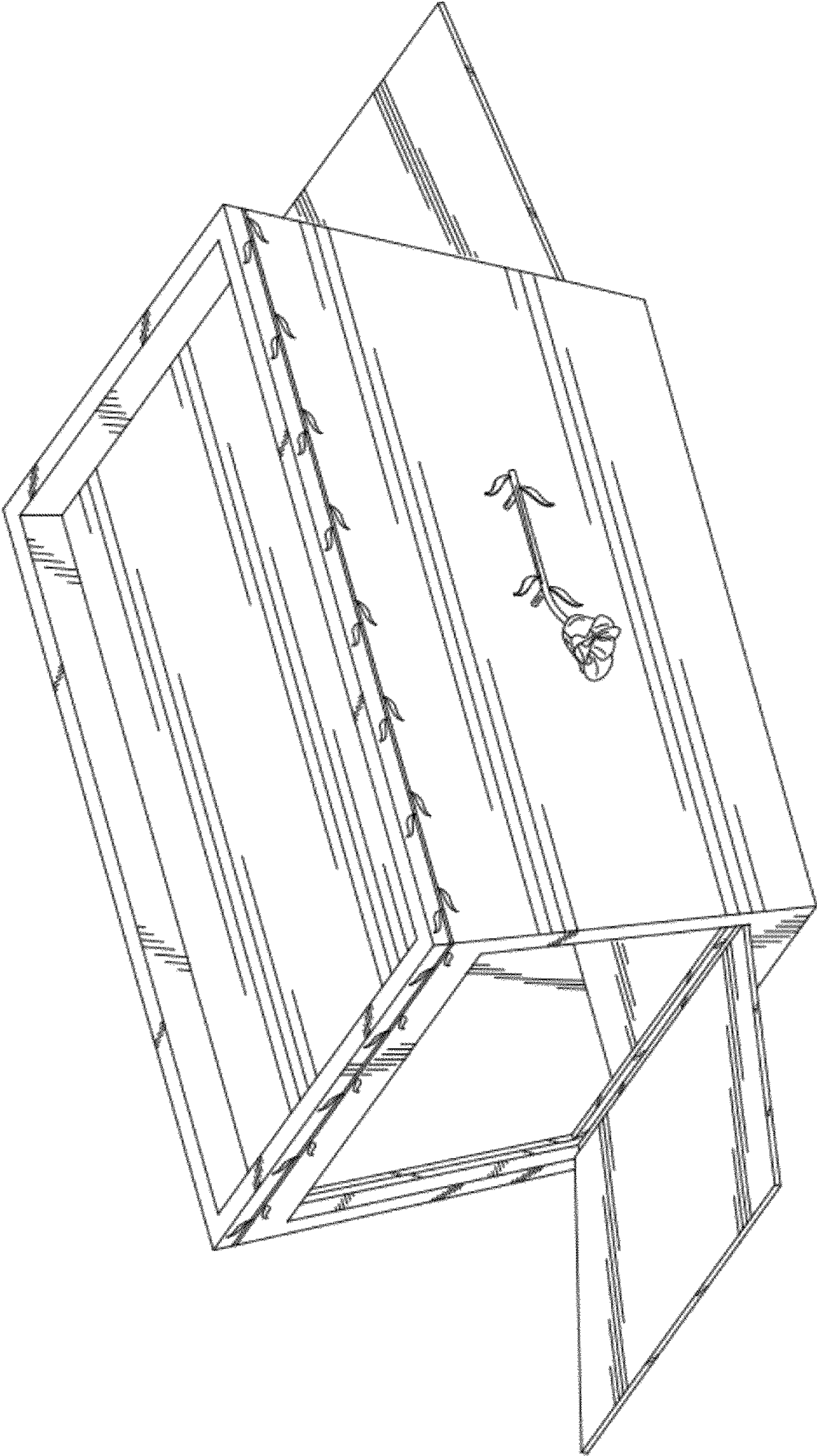


Fig. 8

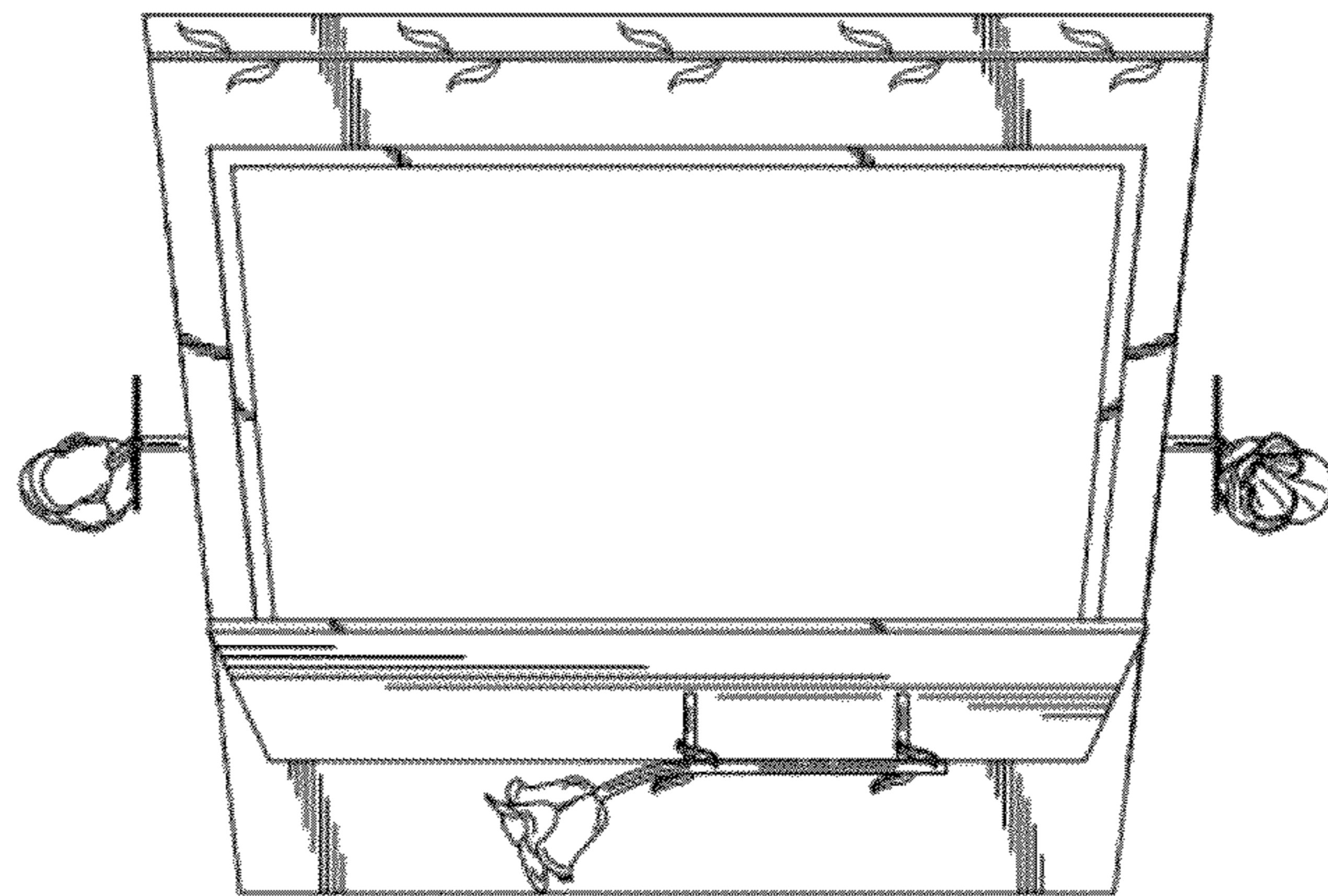


Fig. 9

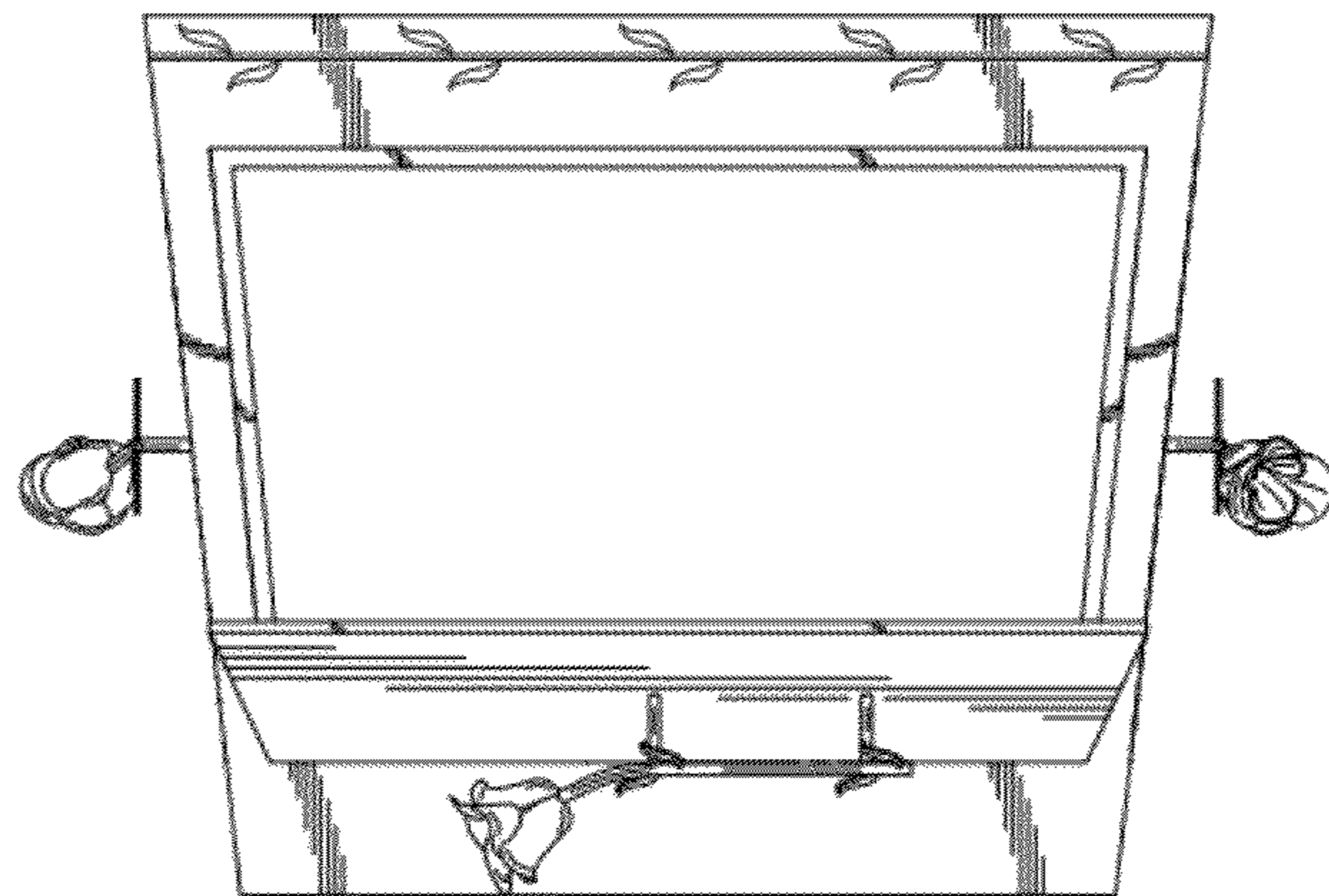


Fig. 10

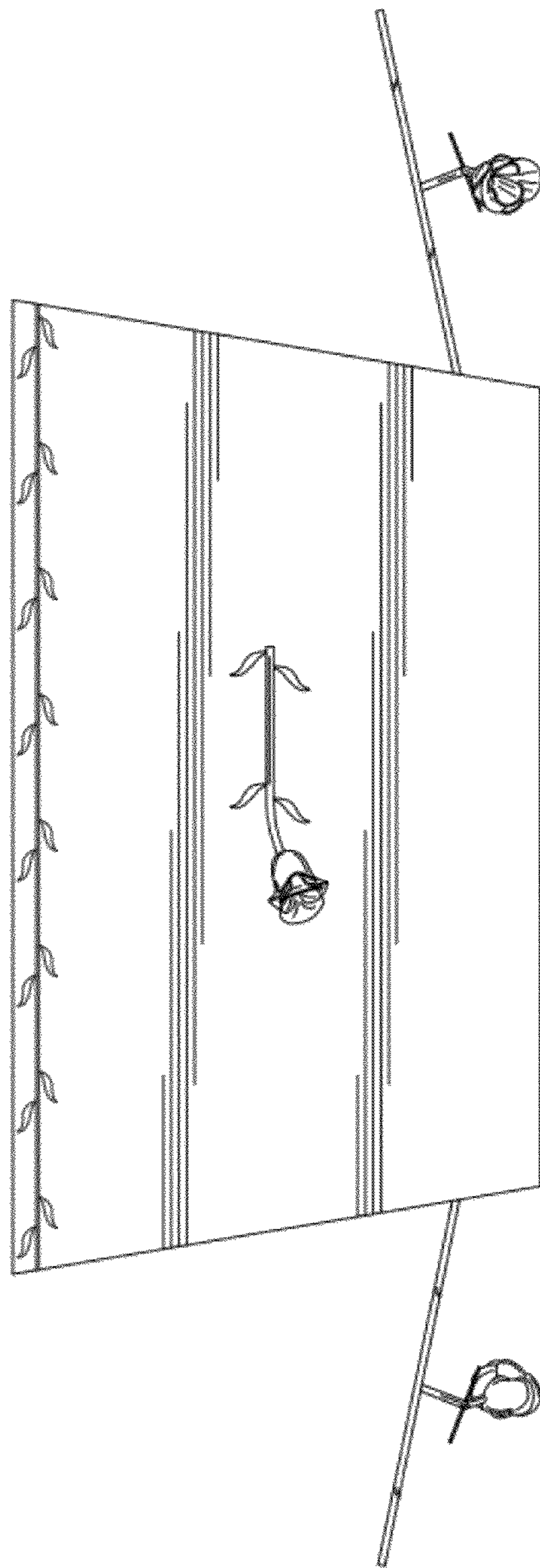


Fig. 11

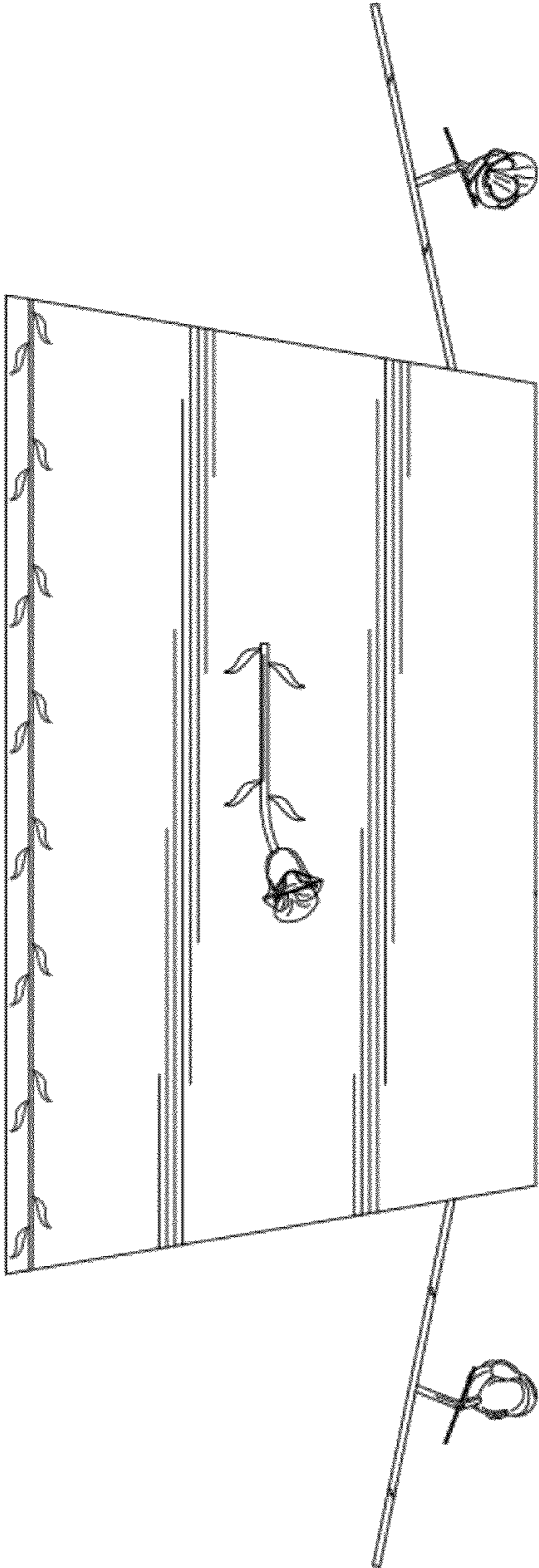


Fig. 12

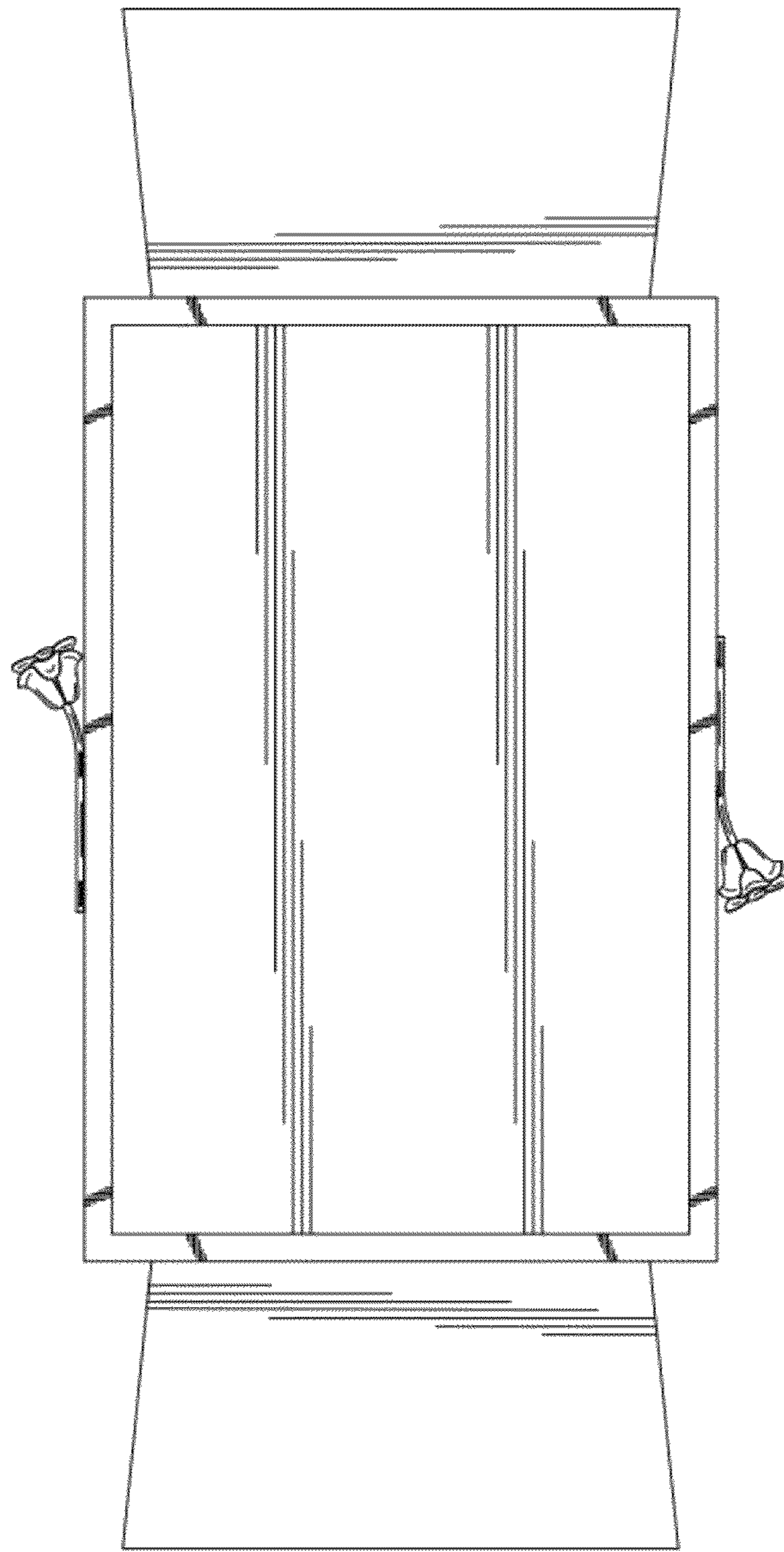


Fig. 13

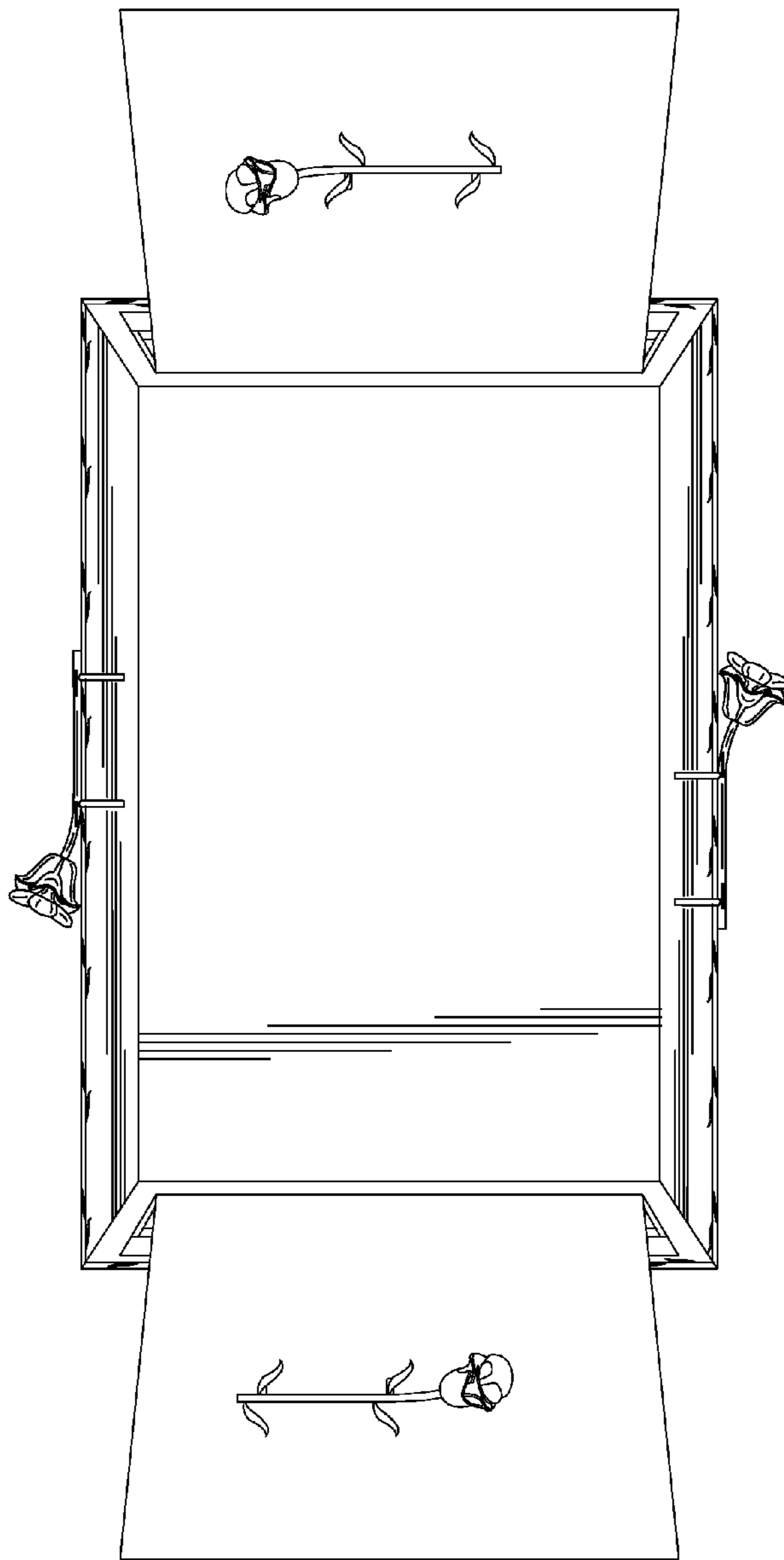


Fig. 14