



US00D671853S

(12) **United States Design Patent**  
**Furey et al.**

(10) **Patent No.:** **US D671,853 S**  
(45) **Date of Patent:** **\*\* Dec. 4, 2012**

(54) **SENSOR FITTING**

*Primary Examiner* — Antoine D Davis

(75) Inventors: **James F. Furey**, Plainsboro, NJ (US);  
**Dennis C. Annarelli**, Newtown, PA  
(US); **Jack McMickle**, Nazareth, PA  
(US)

(74) *Attorney, Agent, or Firm* — Hoffmann & Baron, LLP

(73) Assignee: **PendoTECH**, Plainsboro, NJ (US)

(57) **CLAIM**

The ornamental design for a sensor fitting, as shown and described.

(\*\*) Term: **14 Years**

(21) Appl. No.: **29/400,765**

**DESCRIPTION**

(22) Filed: **Sep. 1, 2011**

(51) **LOC (9) Cl.** ..... **10-04**

(52) **U.S. Cl.** ..... **D10/96; D10/99**

(58) **Field of Classification Search** ..... D10/96,  
D10/97, 99, 100, 101; 116/264, 276; 73/273,  
73/323, 861–861.41

See application file for complete search history.

FIG. 1 is a top and front perspective view of a sensor fitting showing the new design;

FIG. 2 is a top view thereof, which is the same as the bottom view thereof;

FIG. 3 is a front elevation view thereof, which is the same as the back elevation view thereof; and,

FIG. 4 is a right side elevation view thereof, which is the same as the left side elevation view thereof.

The broken line showing of structural features is included for the purpose of illustrating non-claimed subject matter and forms no part of the claimed design.

(56) **References Cited**

U.S. PATENT DOCUMENTS

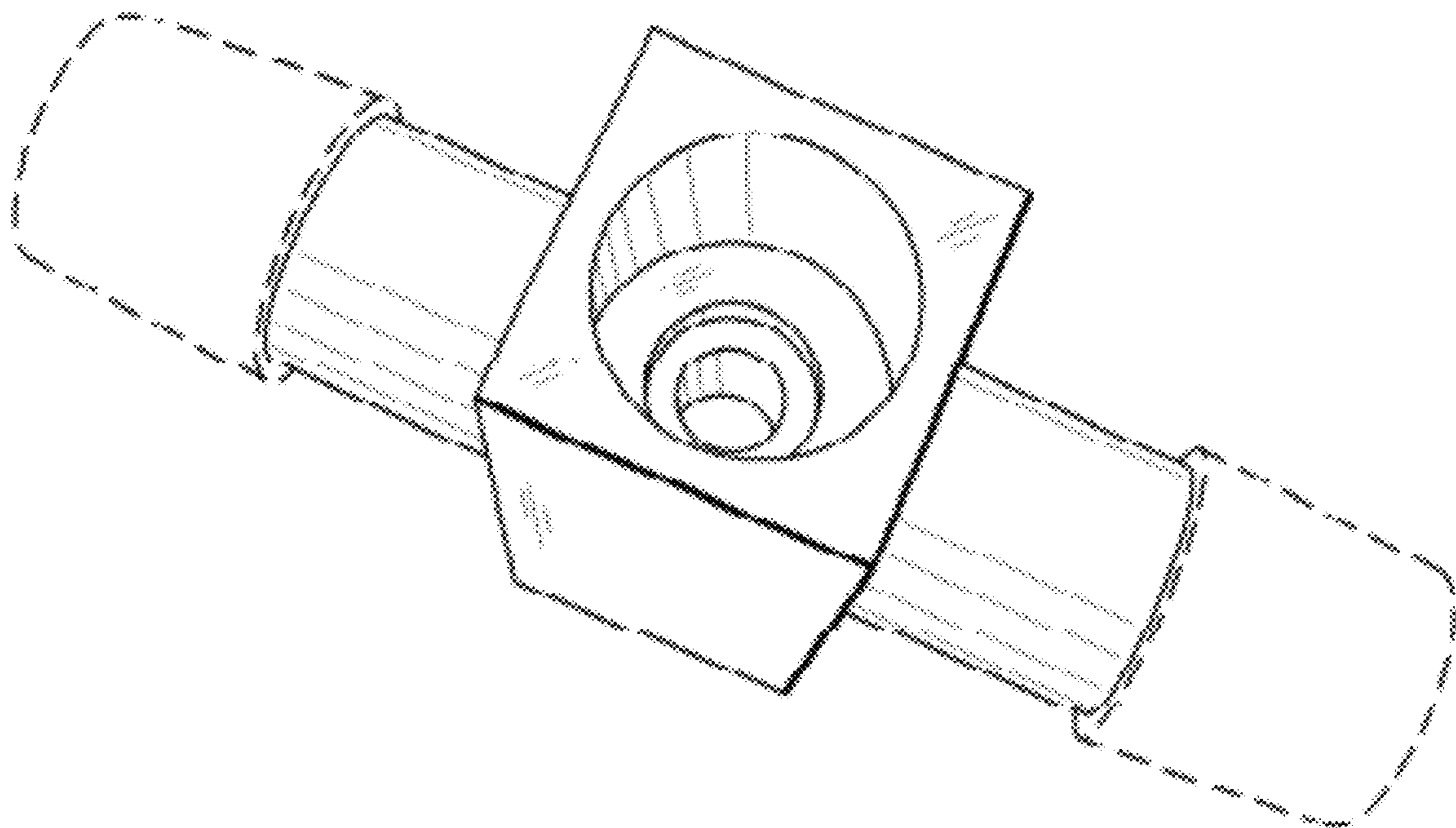
D462,026 S \* 8/2002 Christiansen ..... D10/96

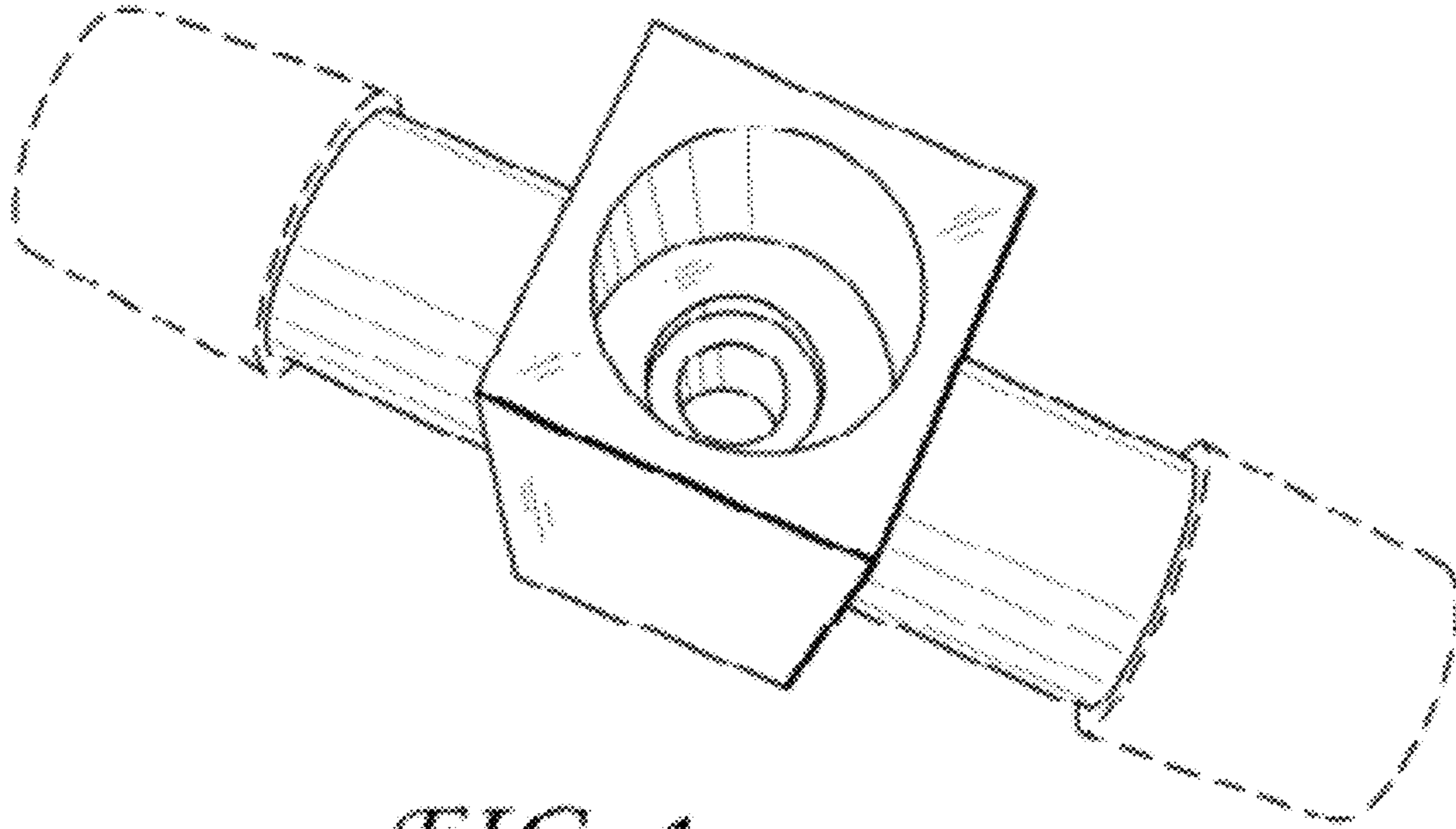
D606,437 S \* 12/2009 Yan ..... D10/101

D606,438 S \* 12/2009 Yan ..... D10/101

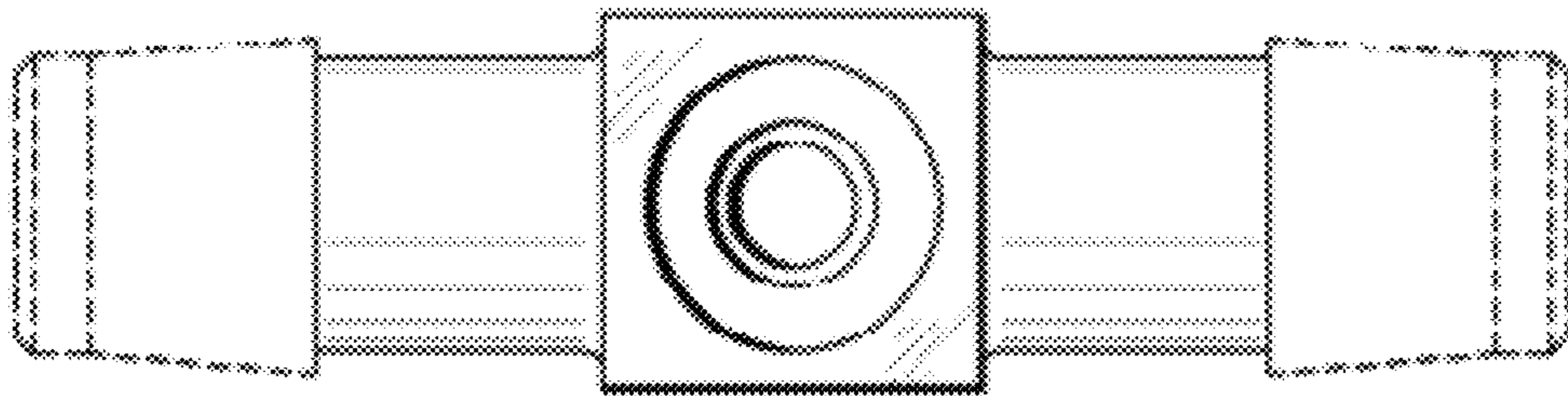
\* cited by examiner

**1 Claim, 2 Drawing Sheets**

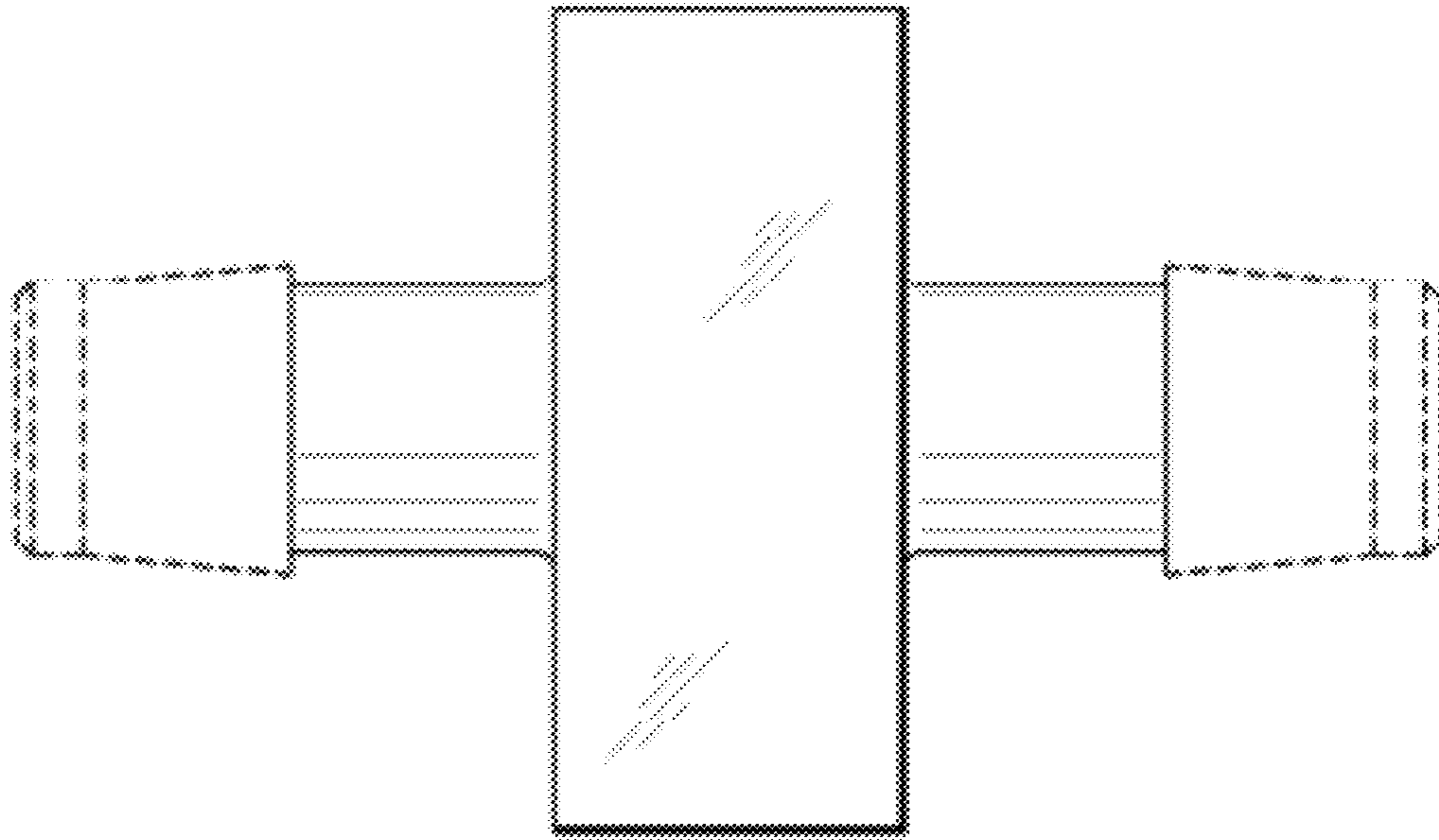




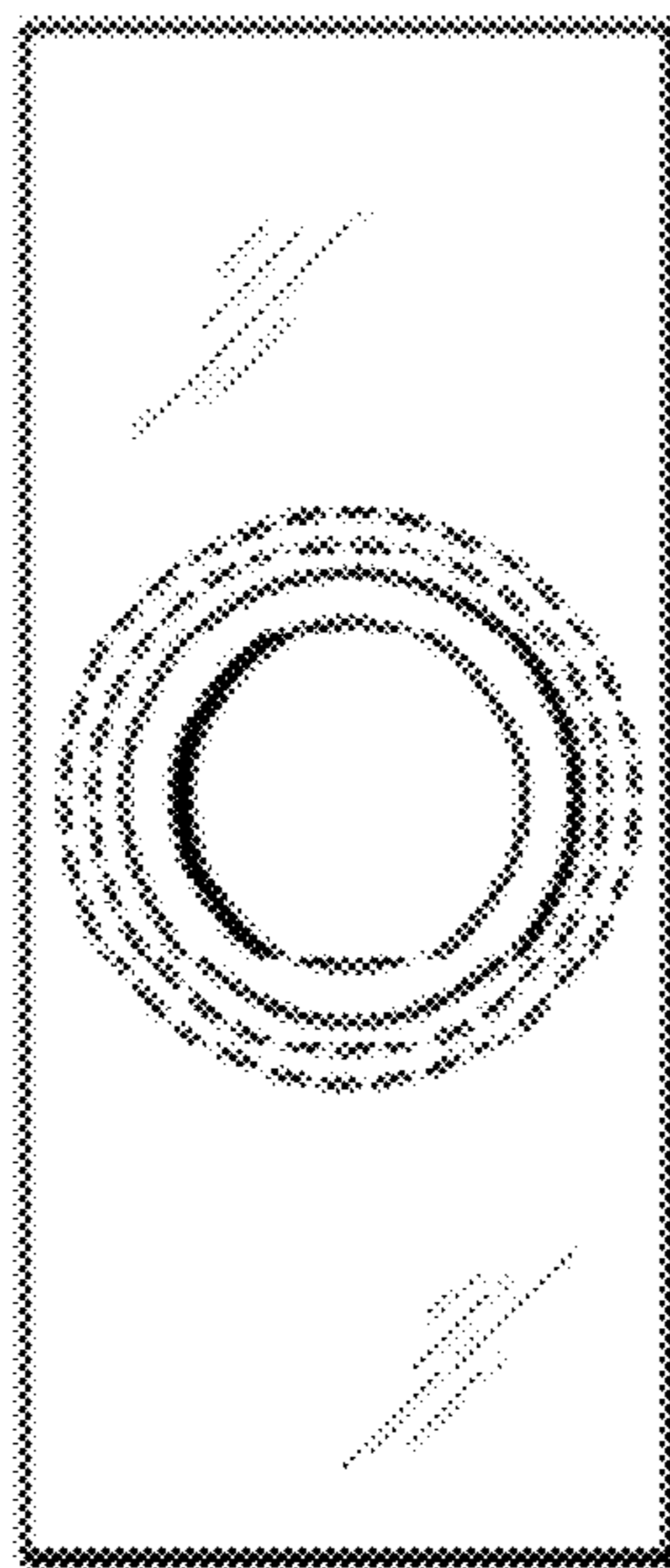
*FIG. 1*



*FIG. 2*



*FIG. 3*



*FIG. 4*