



US00D671850S

(12) **United States Design Patent**
Marzynski

(10) **Patent No.:** **US D671,850 S**
(45) **Date of Patent:** **** Dec. 4, 2012**

(54) **DIGITAL PROCESS CALIBRATOR**

DESCRIPTION

(75) Inventor: **Matthew Marzynski**, Seattle, WA (US)

(73) Assignee: **Fluke Corporation**, Everett, WA (US)

(**) Term: **14 Years**

(21) Appl. No.: **29/391,389**

(22) Filed: **May 6, 2011**

(51) **LOC (9) Cl.** **10-04**

(52) **U.S. Cl.** **D10/78**

(58) **Field of Classification Search** D10/78;
D18/6-9, 11; 73/1.57, 431; 324/158 F, 158 P;
374/208-210; 379/156; 439/487, 488
See application file for complete search history.

(56) **References Cited**

U.S. PATENT DOCUMENTS

D363,681 S *	10/1995	Ledbetter et al.	D10/78
D410,204 S *	5/1999	Hendriks	D10/78
D460,925 S *	7/2002	Arnoux et al.	D10/78
6,584,421 B1 *	6/2003	Clarridge et al.	702/85
D502,416 S *	3/2005	Chen	D10/78
7,111,491 B2 *	9/2006	Kosh et al.	73/1.57

* cited by examiner

Primary Examiner — Antoine D Davis

(74) *Attorney, Agent, or Firm* — Perkins Coie LLP

(57) **CLAIM**

The ornamental design for a digital process calibrator, as shown and described.

FIG. 1 is a front view of a first embodiment of digital process calibrator in a closed arrangement.
 FIG. 2 is a back view thereof.
 FIG. 3 is a top view thereof.
 FIG. 4 is a bottom view thereof.
 FIG. 5 is a left side thereof.
 FIG. 6 is a right side view thereof.
 FIG. 7 is a first perspective view thereof.
 FIG. 8 is a second perspective view thereof.
 FIG. 9 is a third perspective view thereof.
 FIG. 10 is a fourth perspective view thereof showing the tilt stand in a closed arrangement.
 FIG. 11 is a fifth perspective view similar to FIG. 10 showing the tilt stand in an open arrangement.
 FIG. 12 is a front view of a second embodiment of digital process calibrator in a closed arrangement.
 FIG. 13 is a back view thereof.
 FIG. 14 is a top view thereof.
 FIG. 15 is a bottom view thereof.
 FIG. 16 is a left side thereof.
 FIG. 17 is a right side view thereof.
 FIG. 18 is a first perspective view thereof.
 FIG. 19 is a second perspective view thereof.
 FIG. 20 is a third perspective view thereof.
 FIG. 21 is a fourth perspective view thereof showing the tilt stand in a closed arrangement; and,
 FIG. 22 is a fifth perspective view similar to FIG. 21 showing the tilt stand in an open arrangement.
 The broken lines form no part of the claimed design.

1 Claim, 20 Drawing Sheets

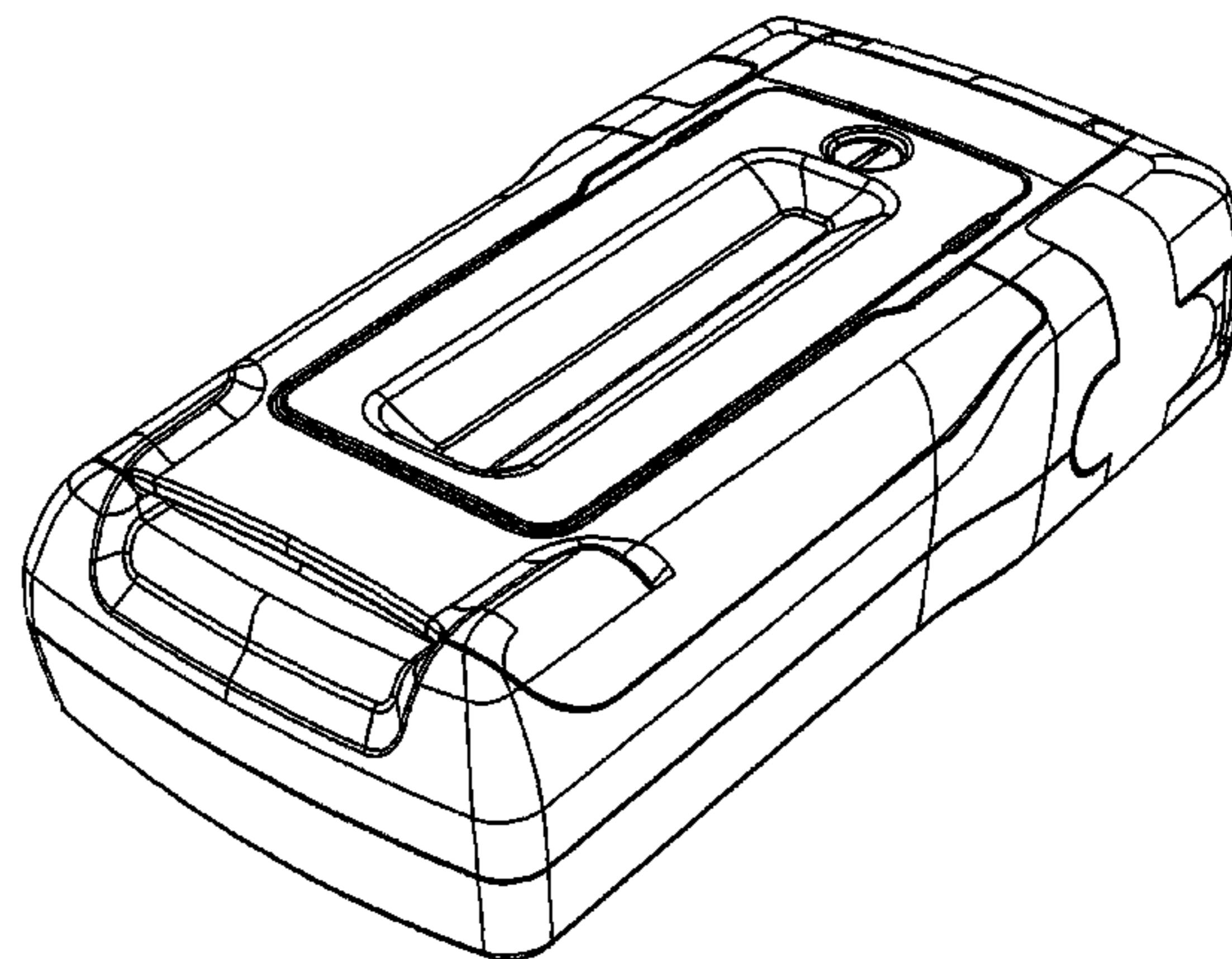


Figure 1

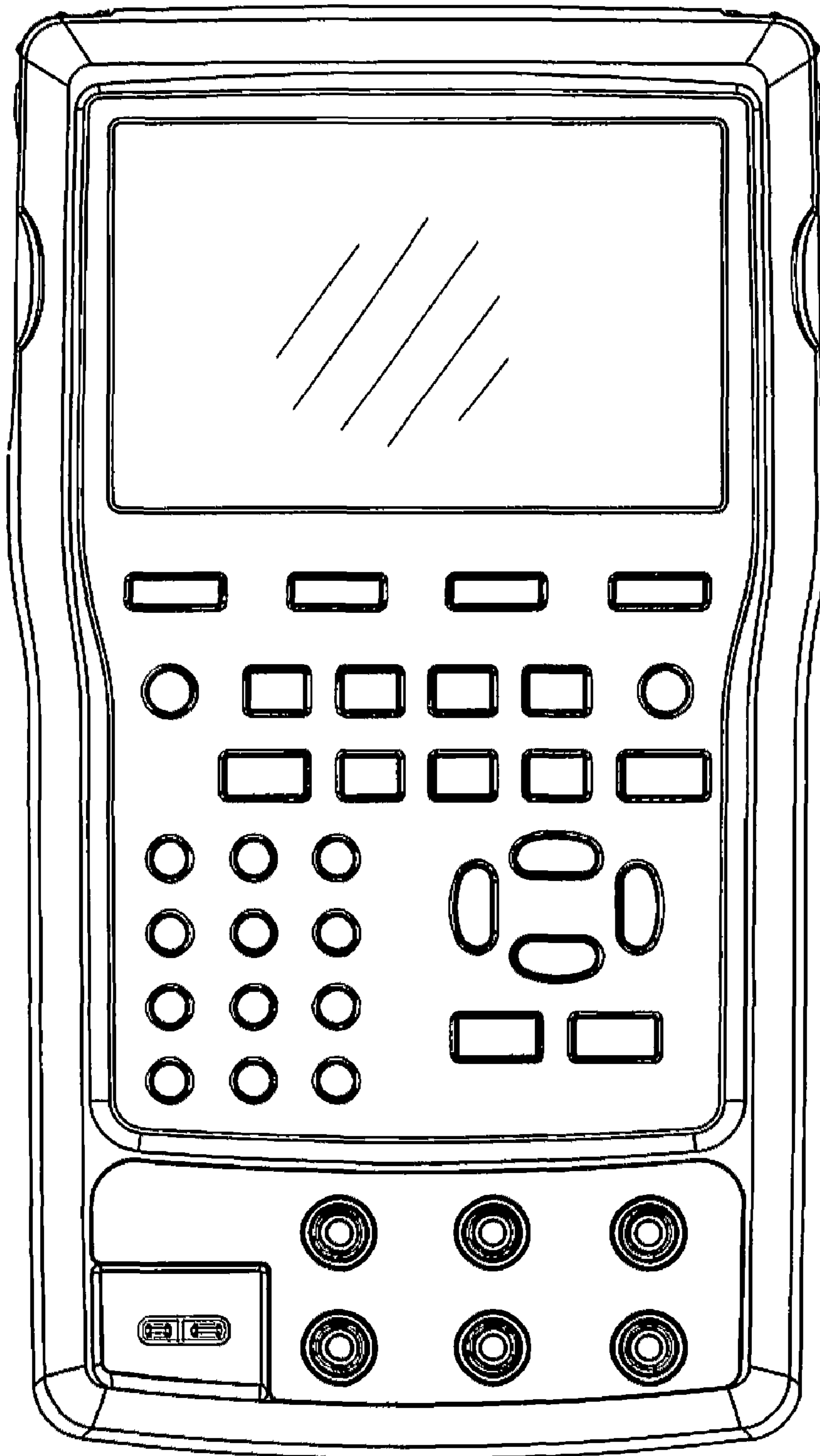
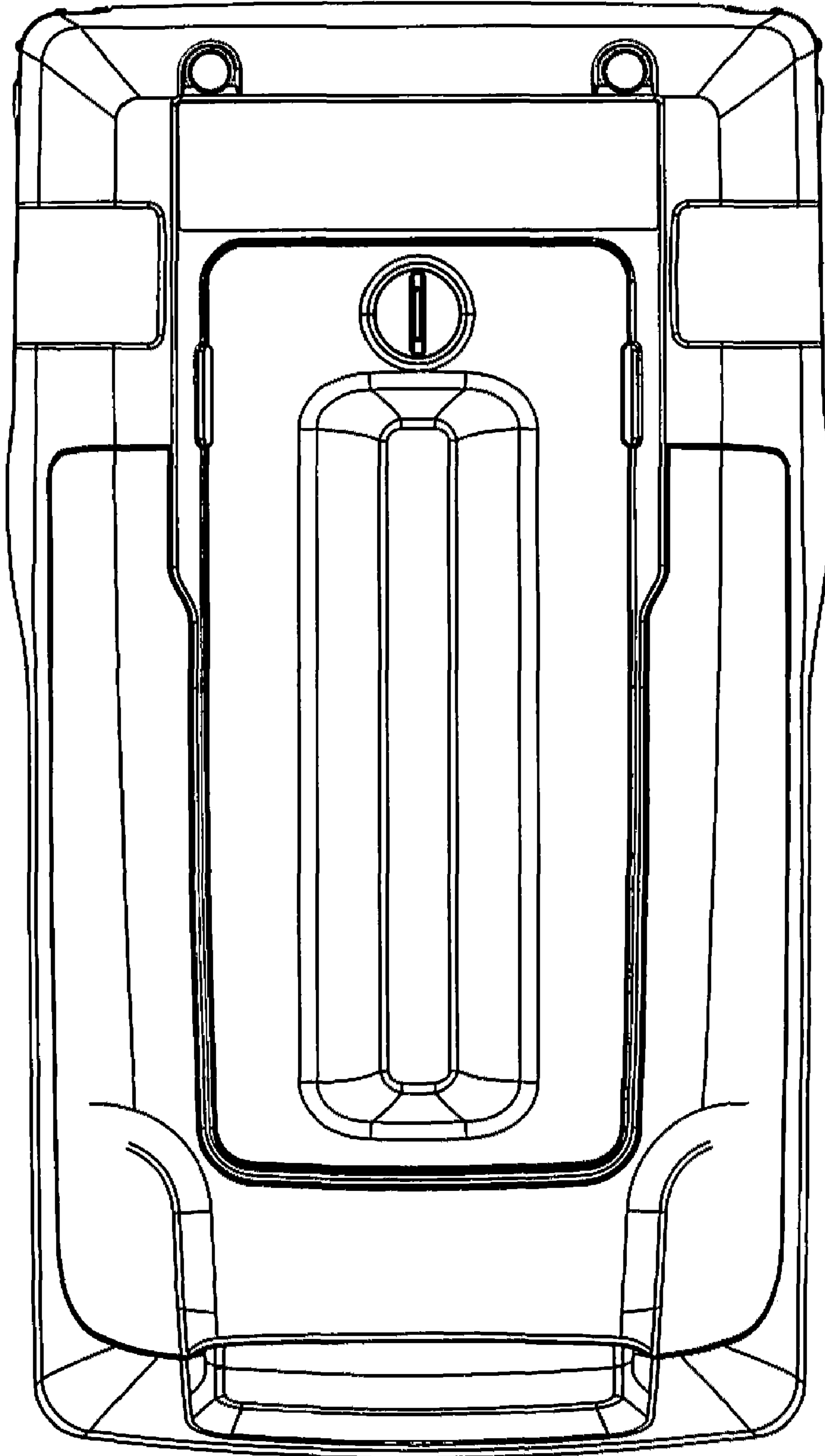


Figure 2



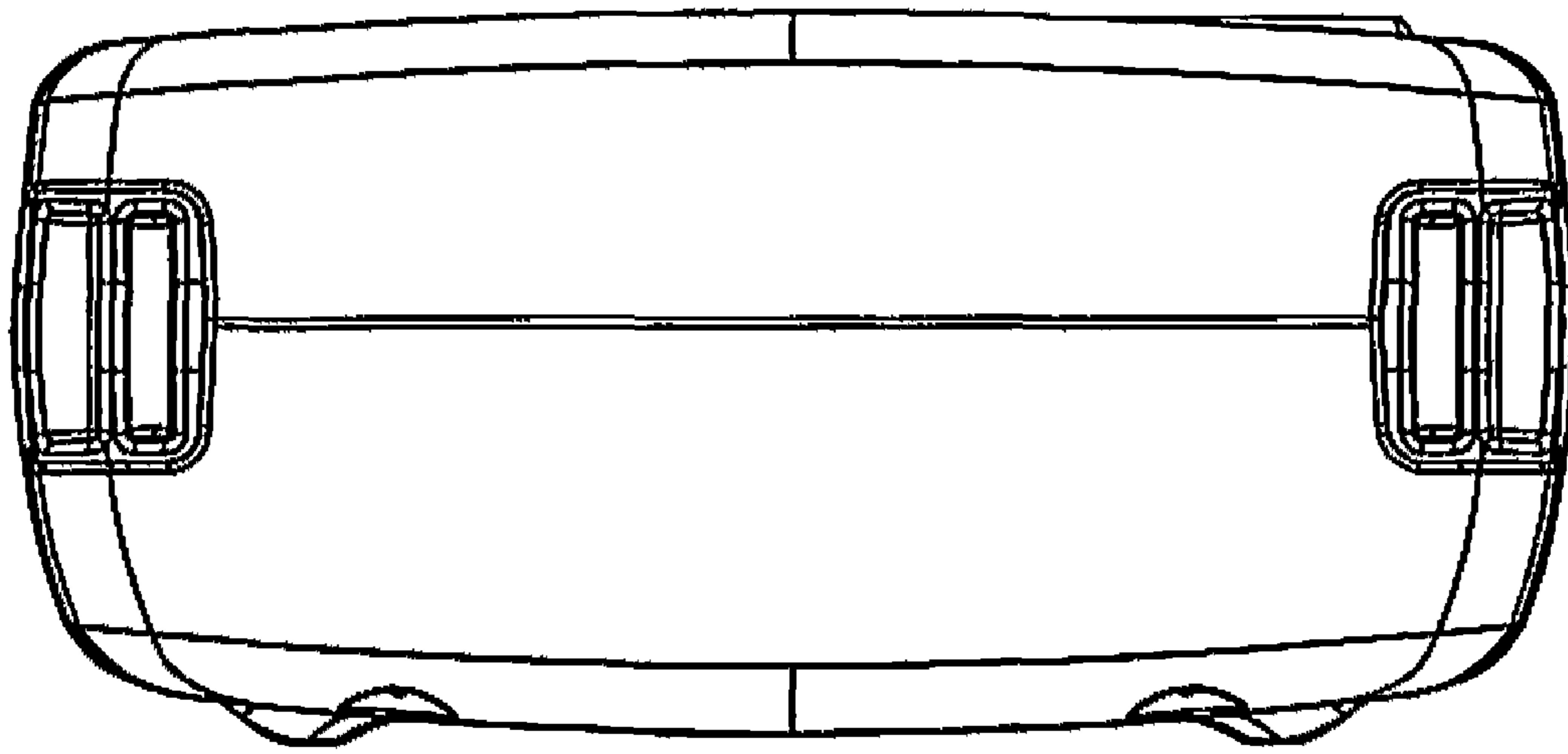


Figure 3

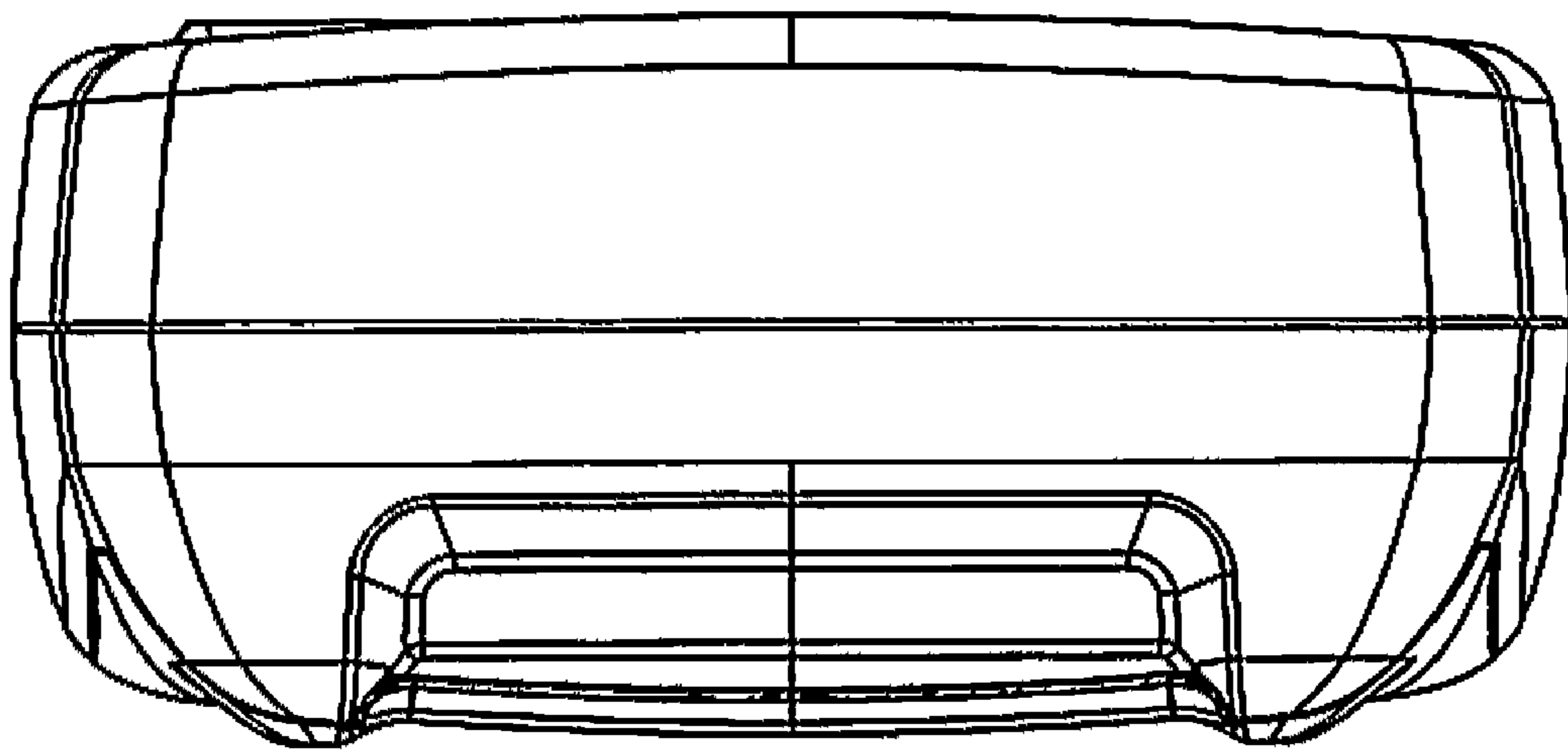


Figure 4

Figure 5

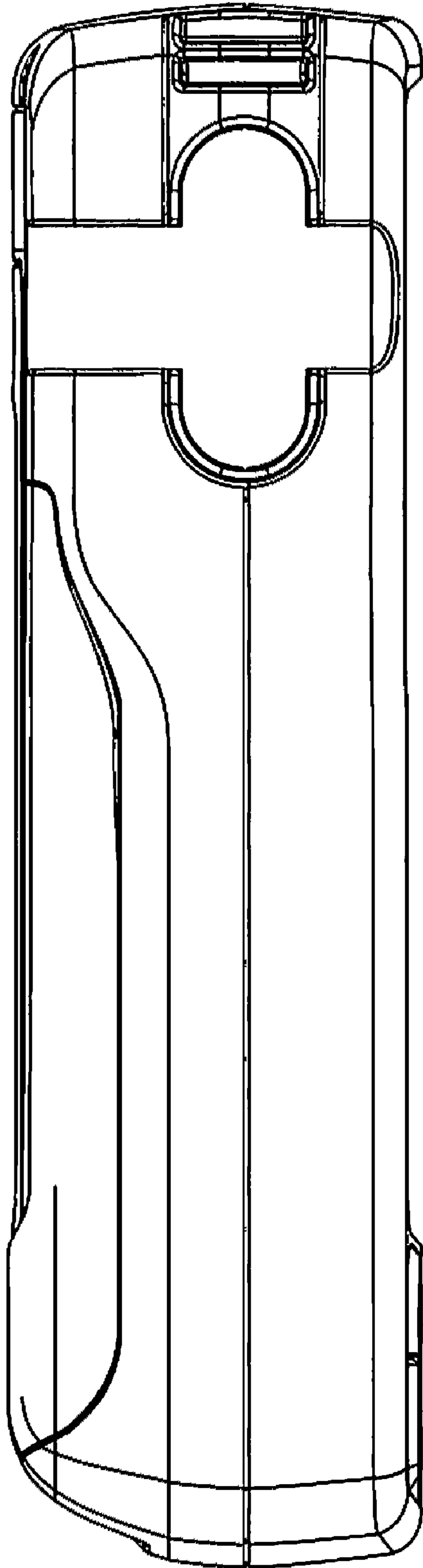


Figure 6

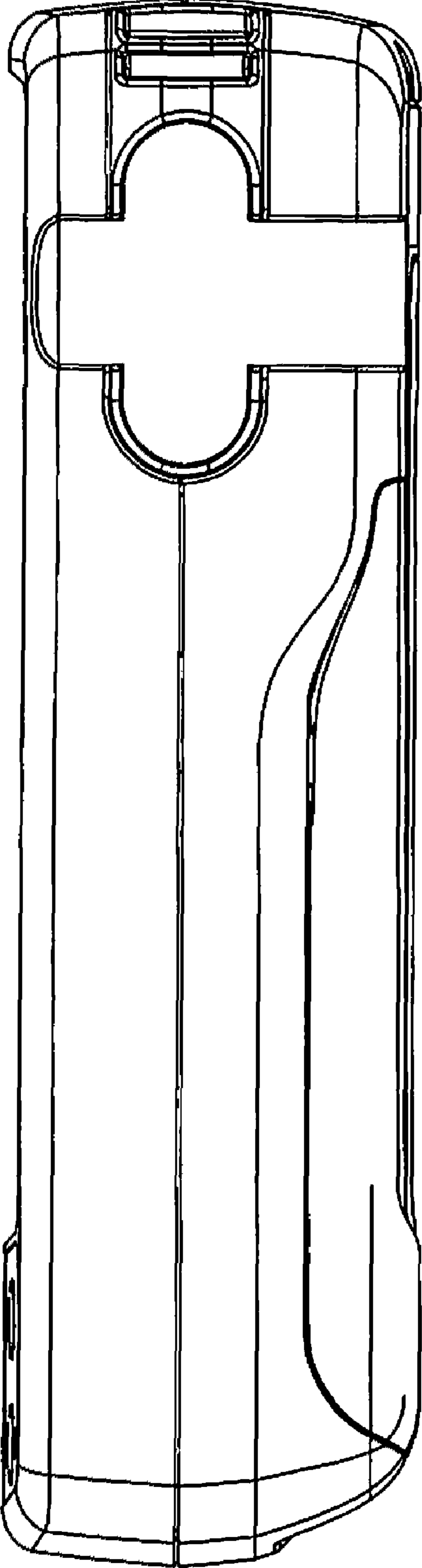




Figure 7

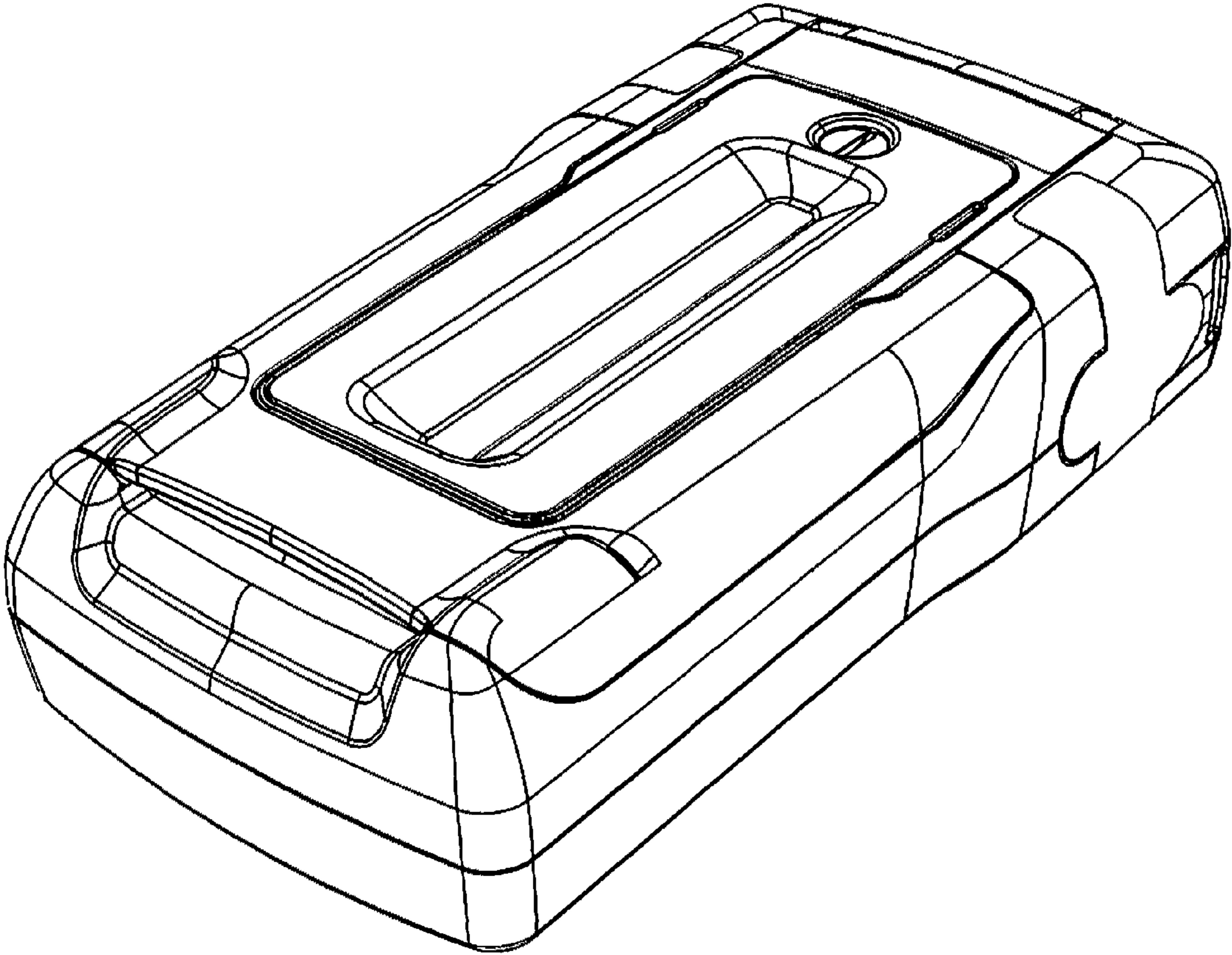
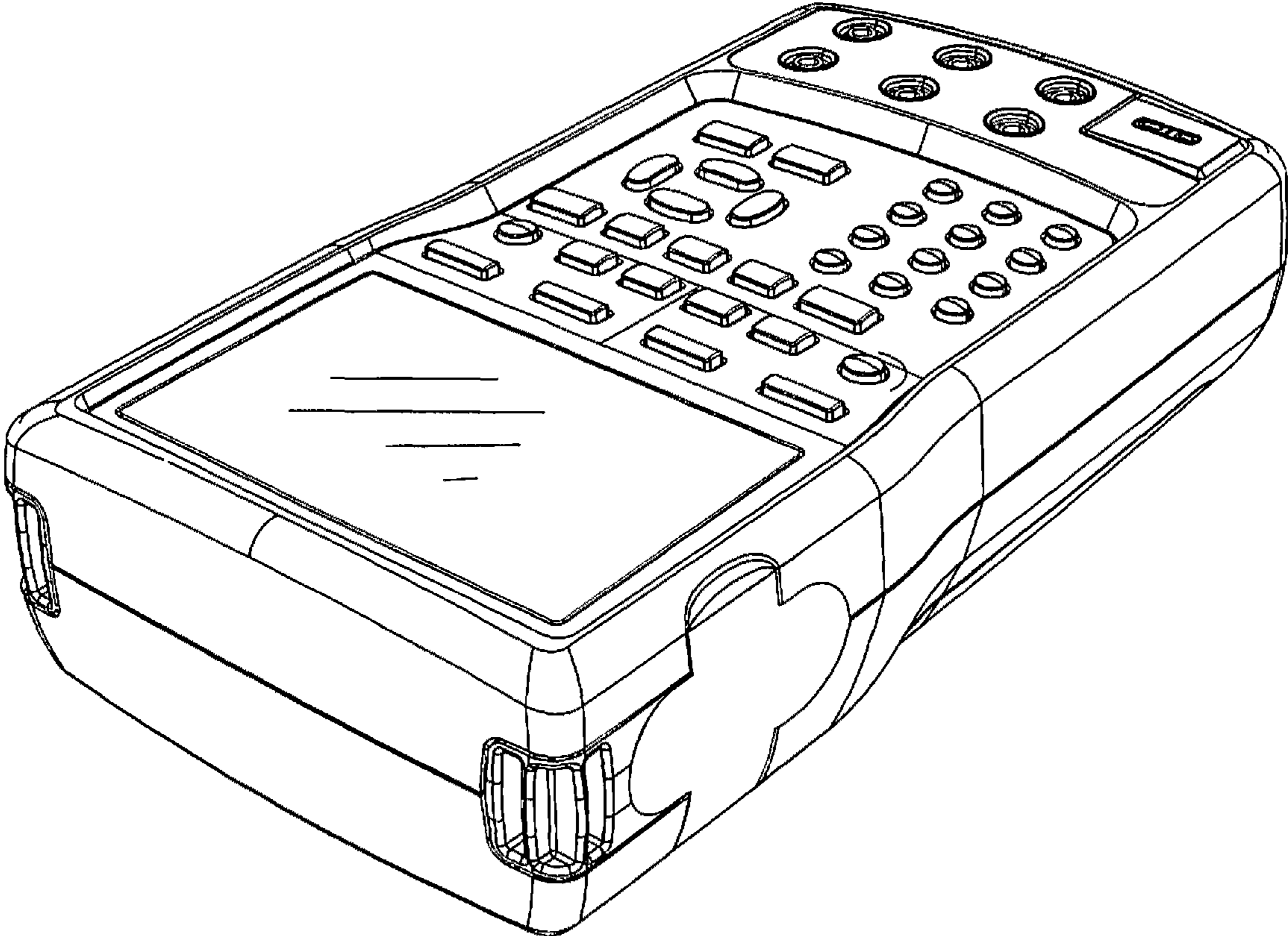


Figure 8

Figure 9



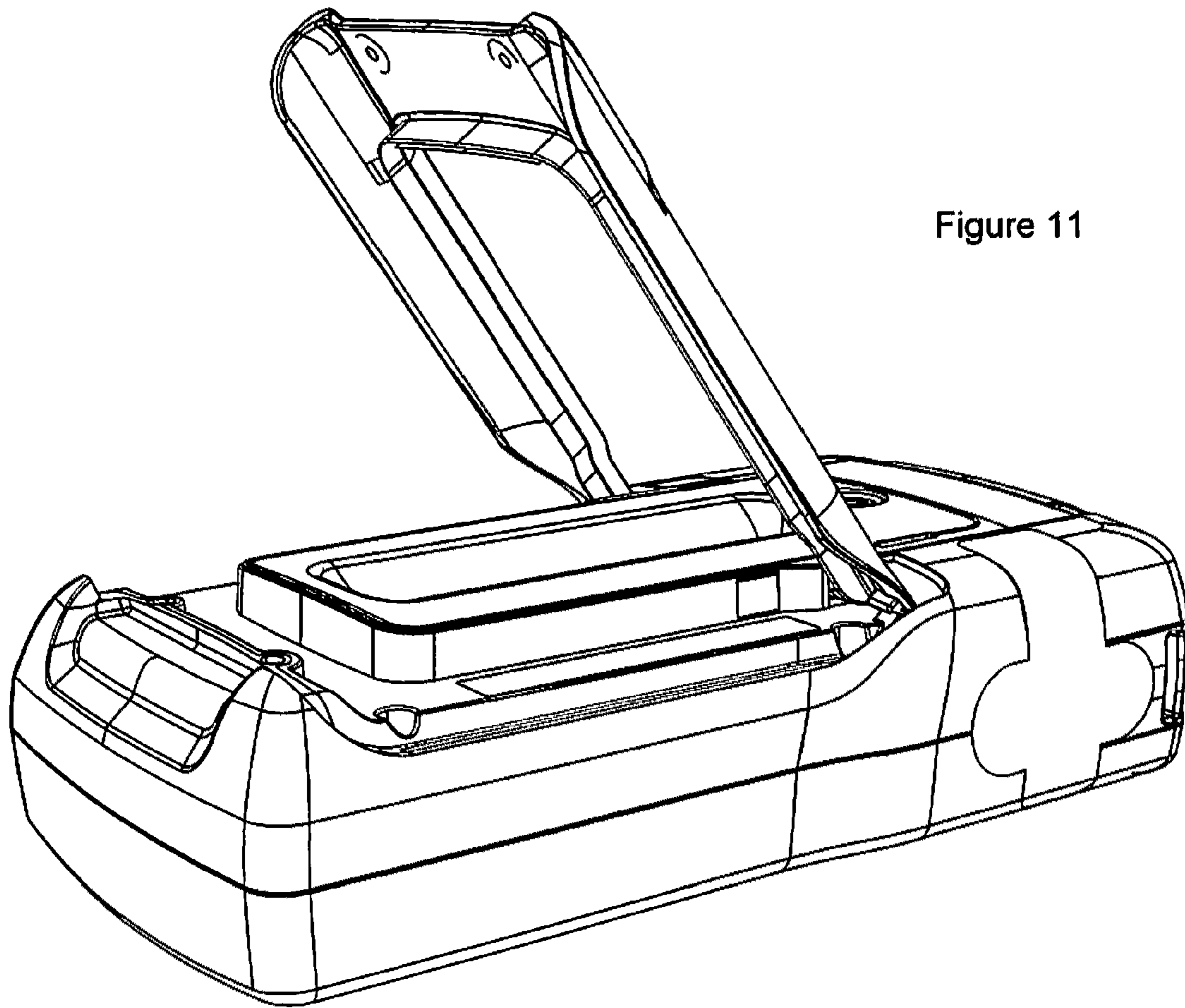


Figure 11

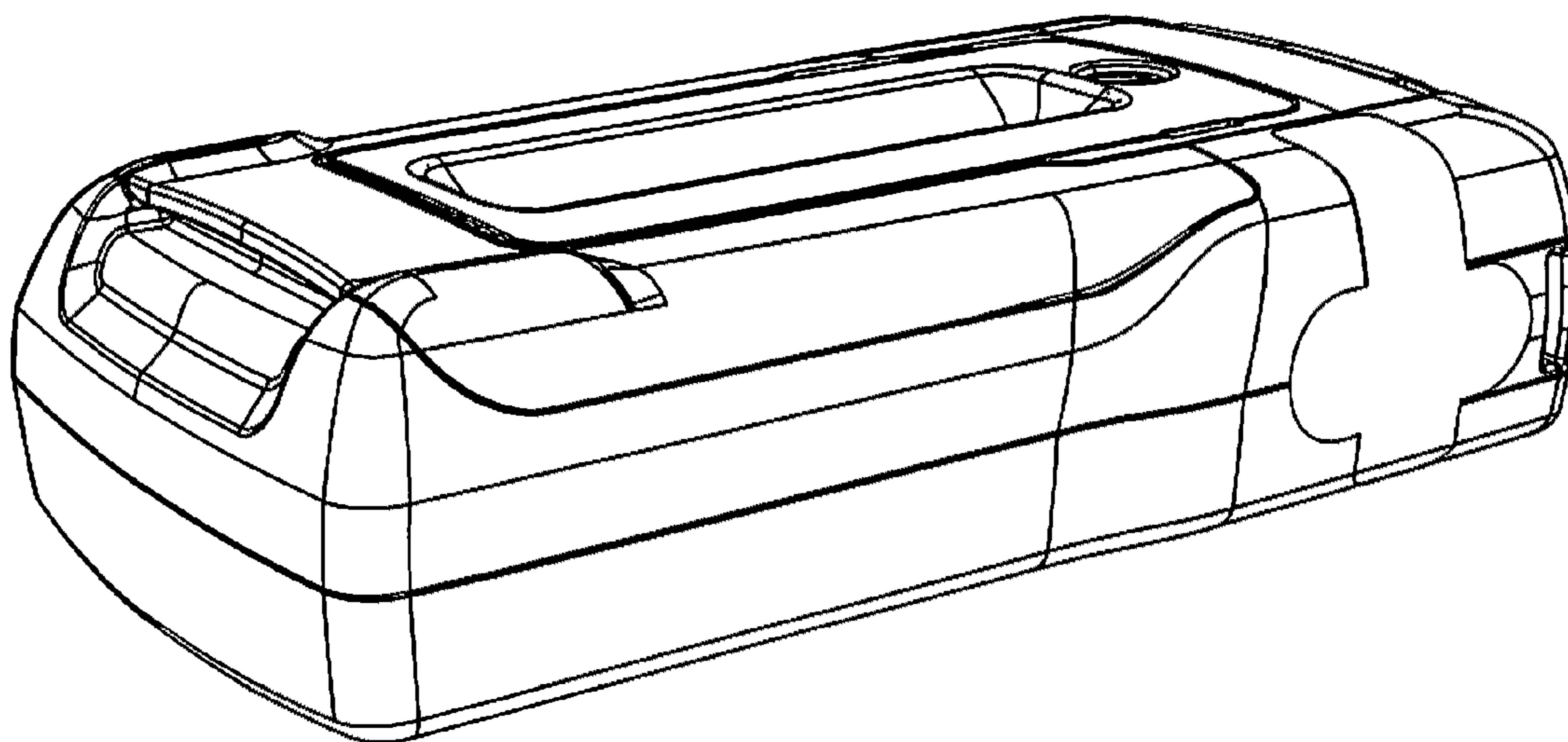


Figure 10

Figure 12

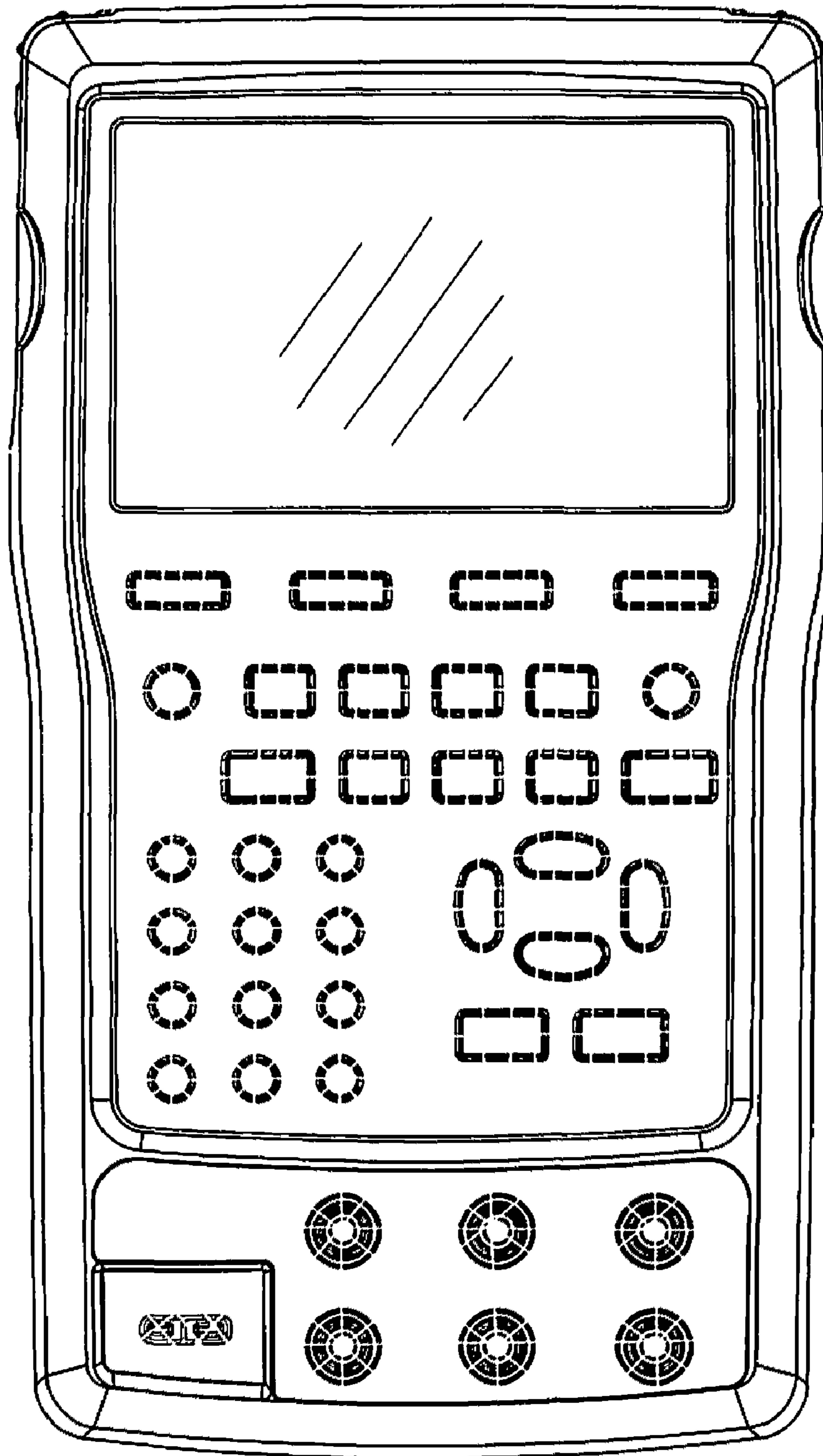
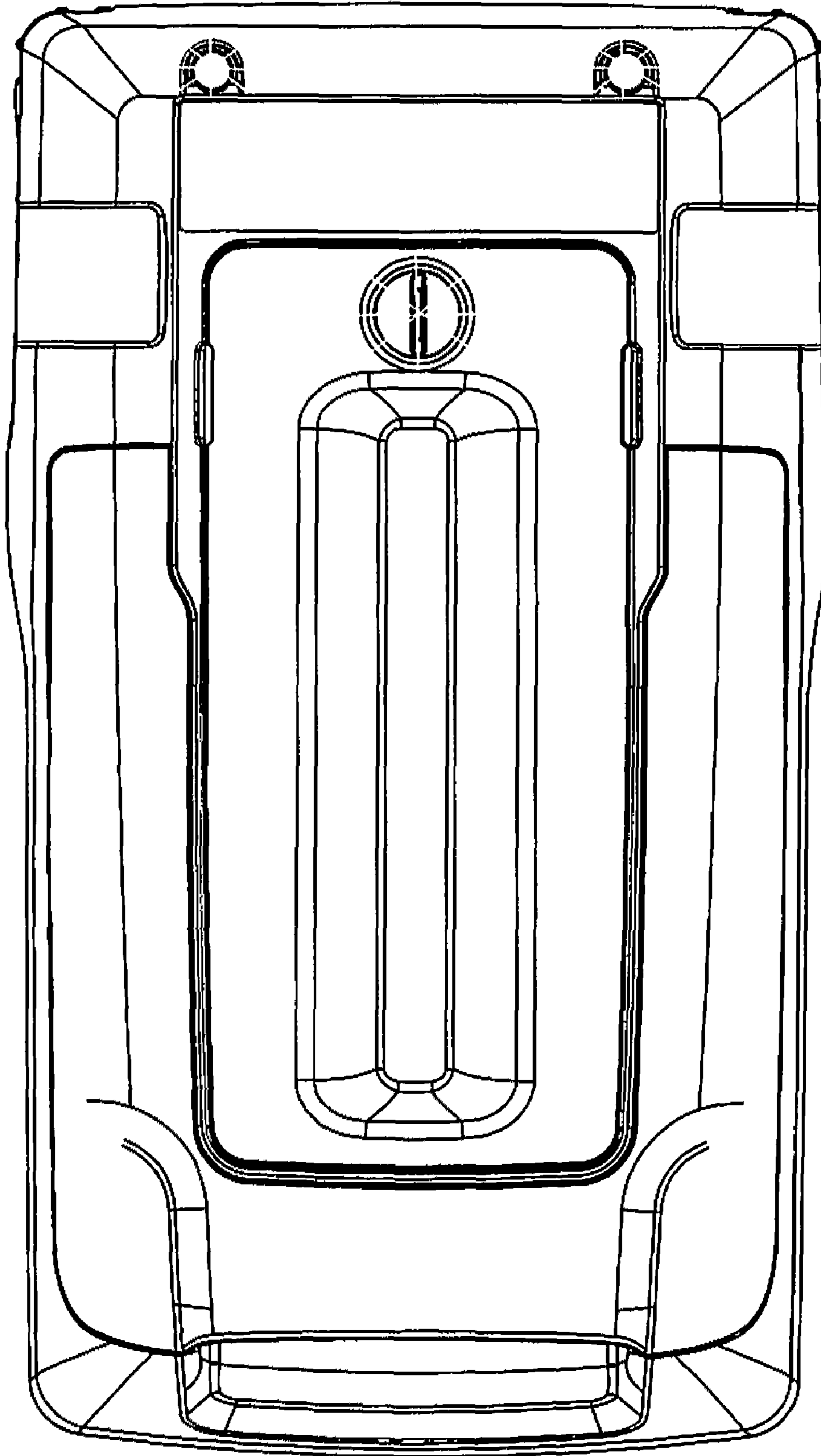


Figure 13



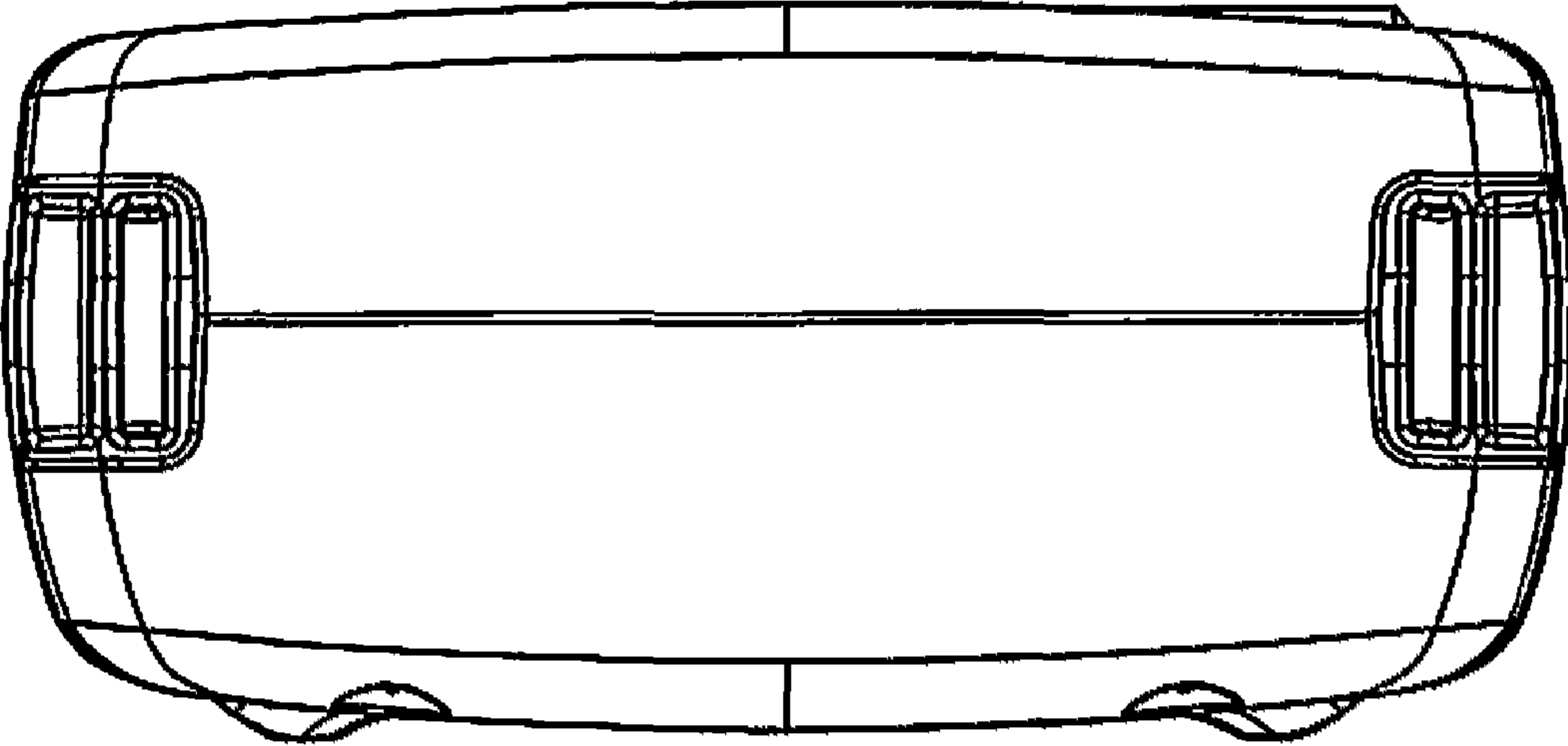


Figure 14

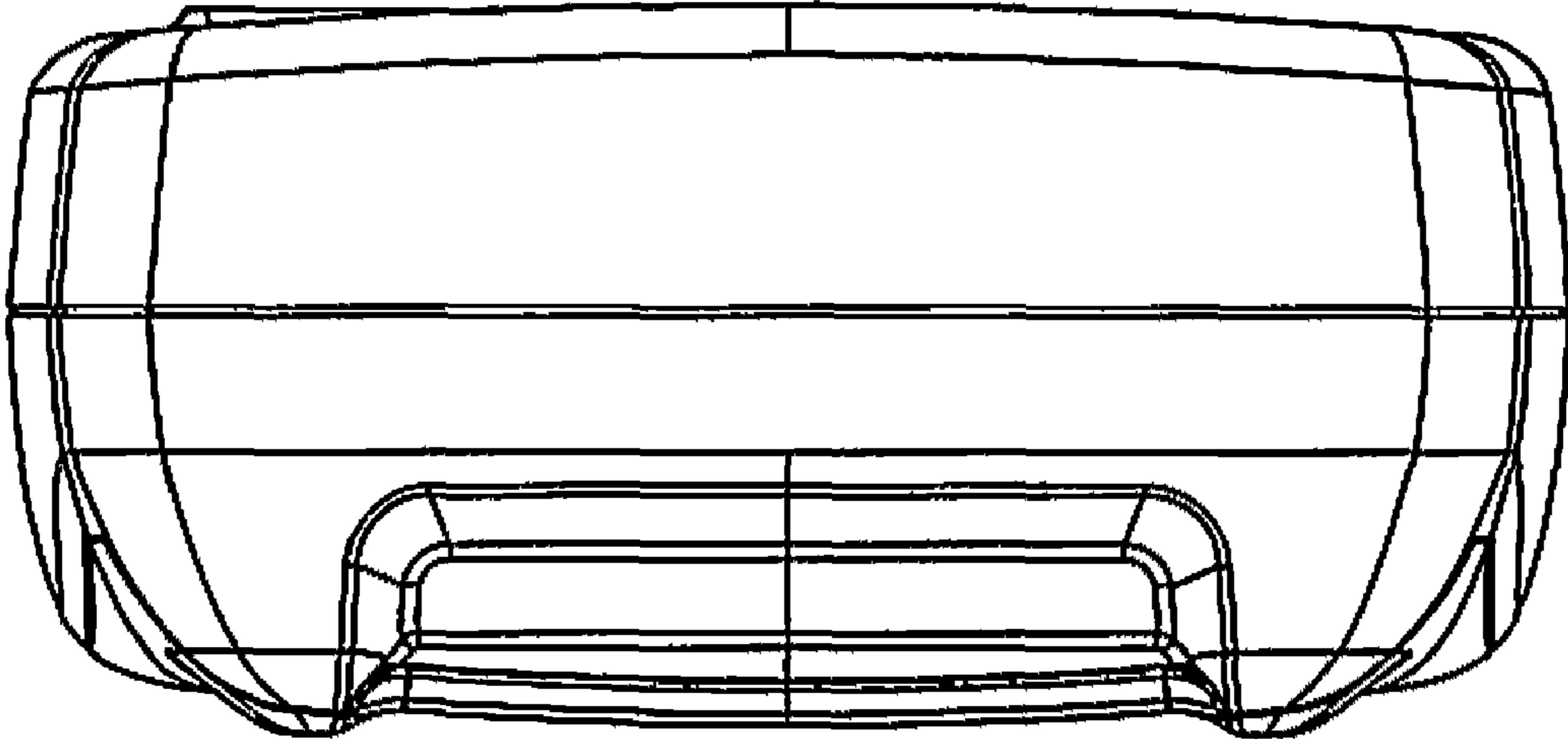


Figure 15

Figure 16

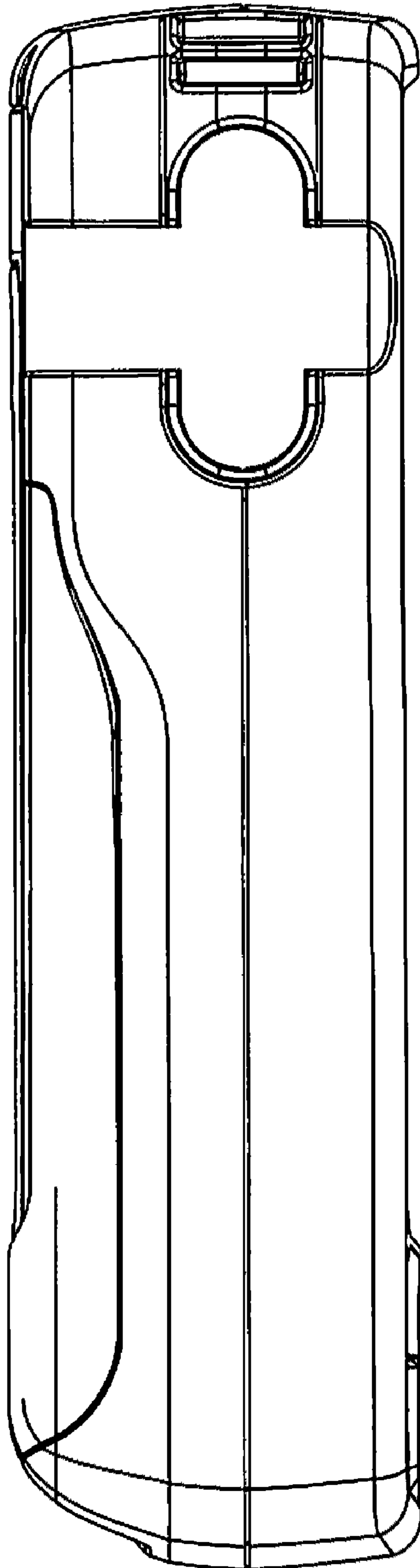


Figure 17

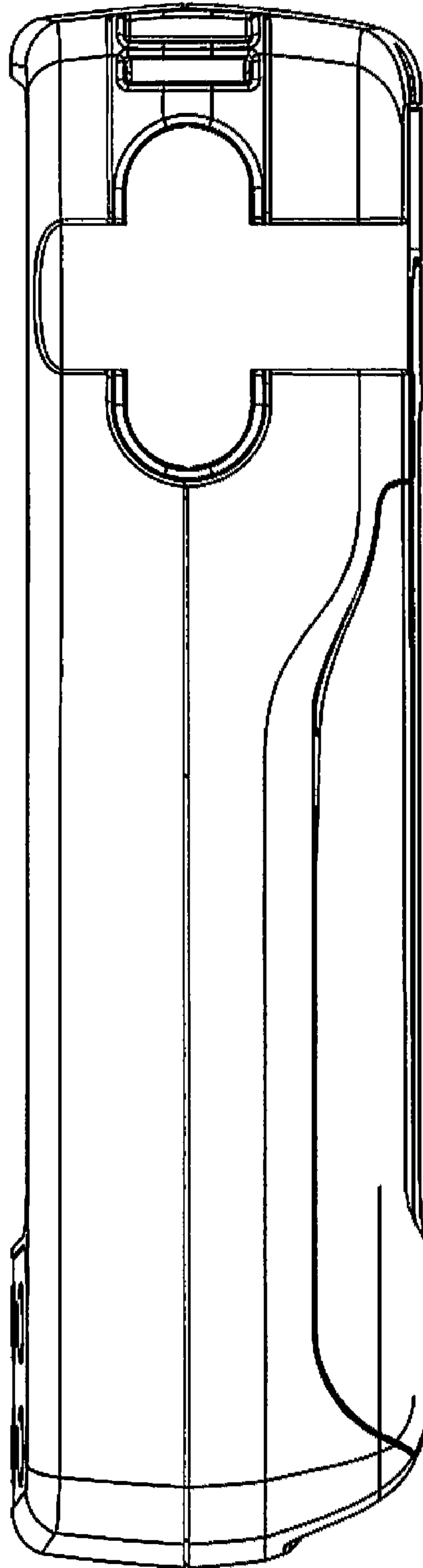




Figure 18

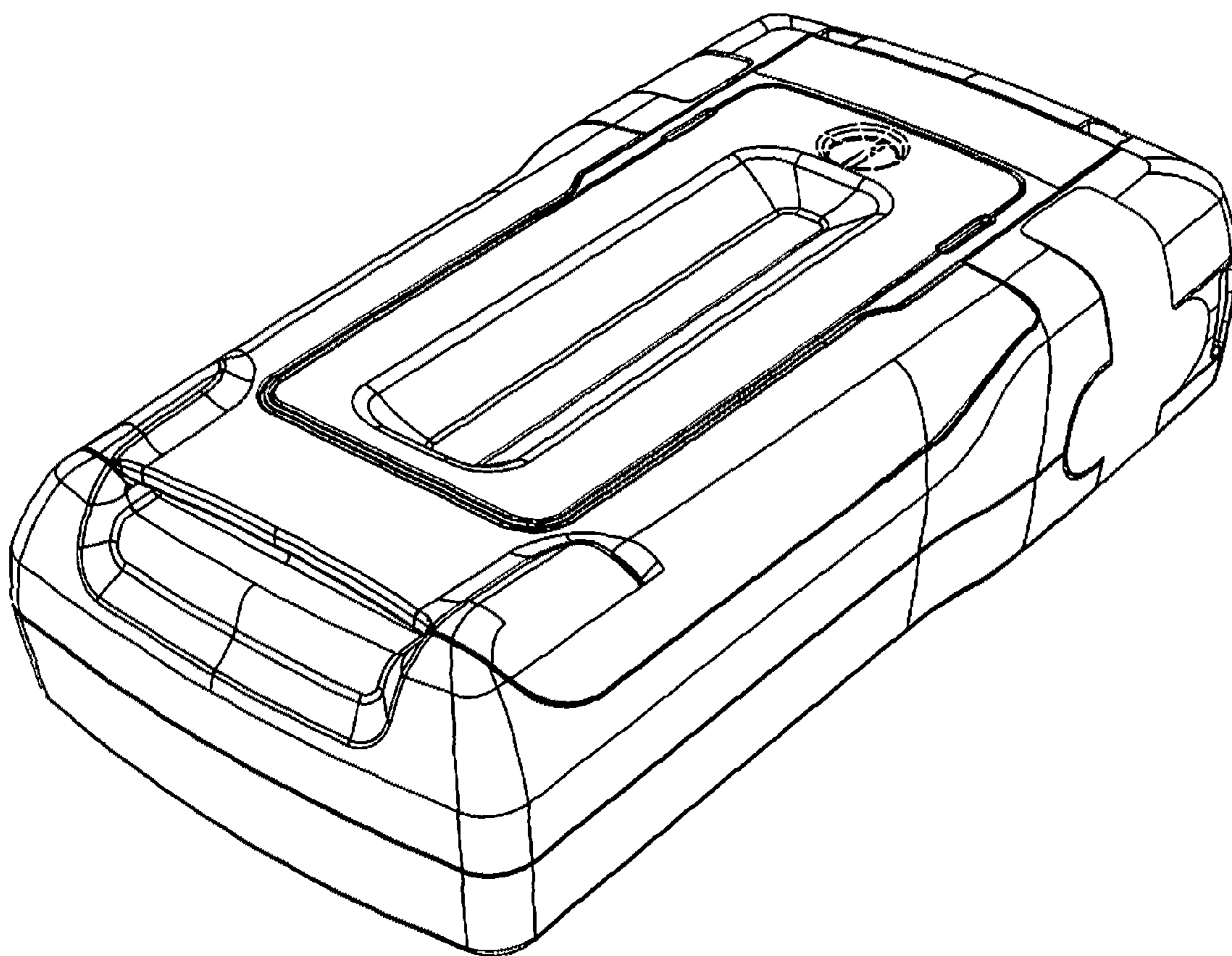
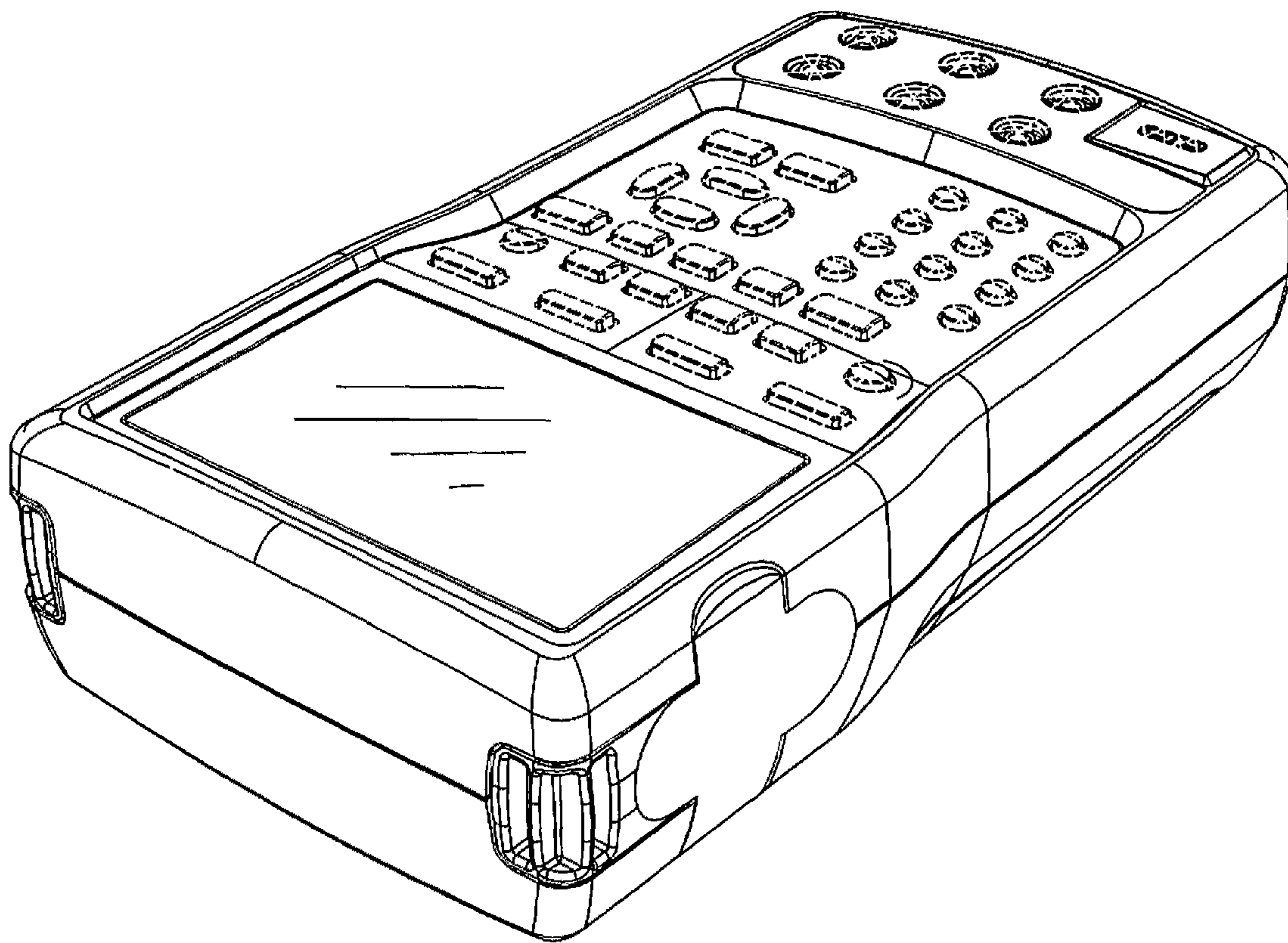


Figure 19

Figure 20



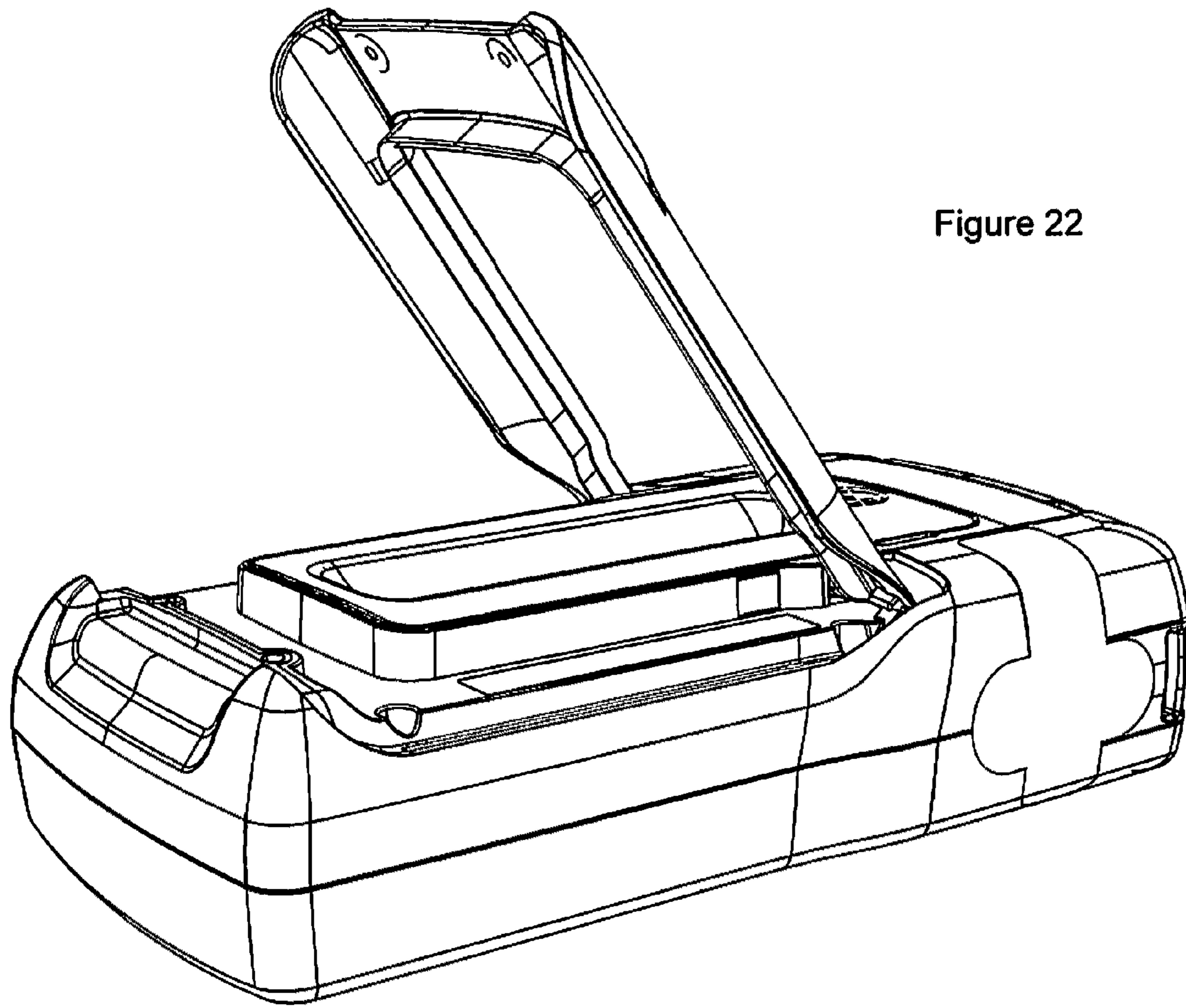


Figure 22

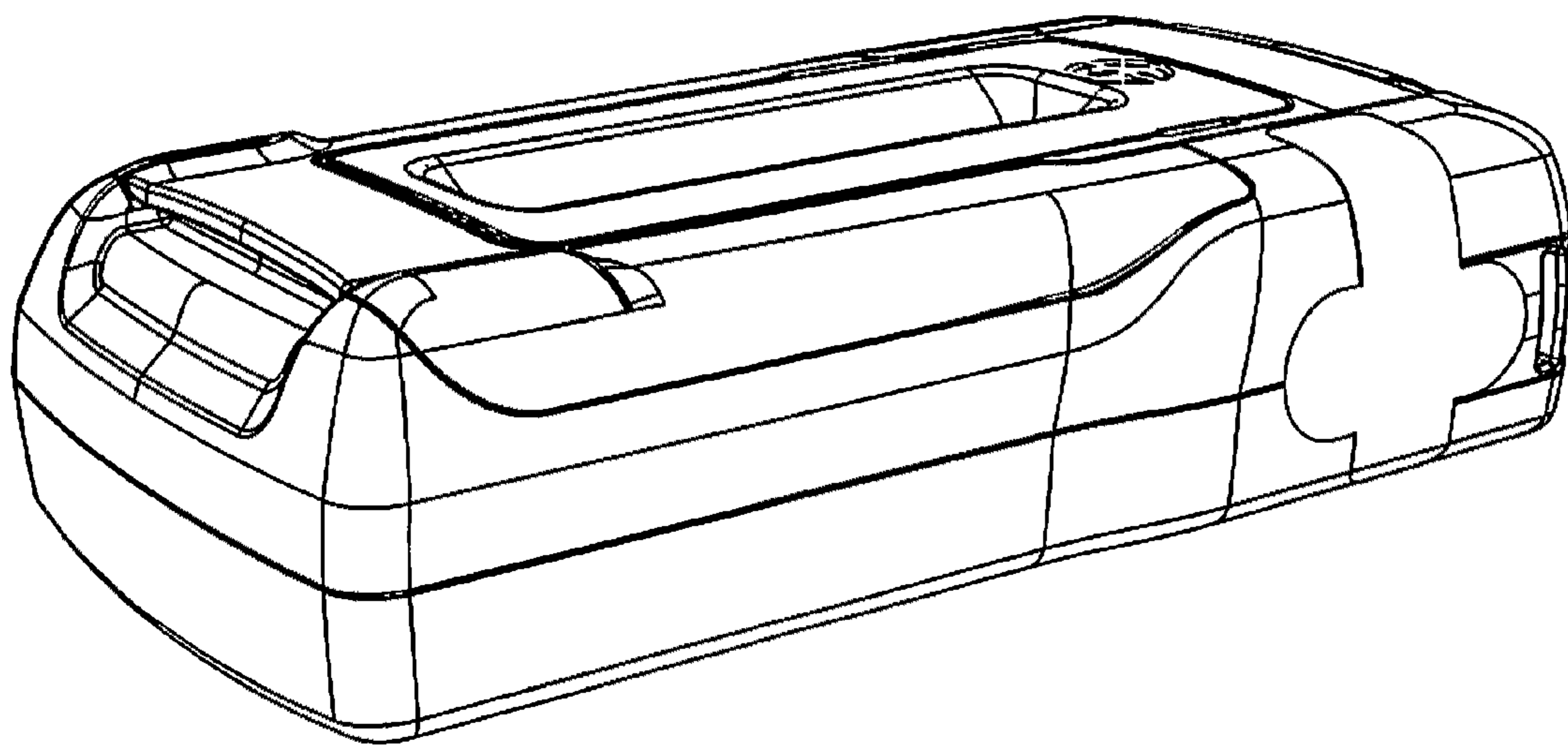


Figure 21