



US00D671849S

(12) **United States Design Patent**
Chandran et al.

(10) **Patent No.:** **US D671,849 S**
(45) **Date of Patent:** **** Dec. 4, 2012**

(54) **WATER TIMER**

(75) Inventors: **Anand Chandran**, Dunlap, IL (US);
Robert Richard Brimble, Edwards, IL
(US); **Linda Kay Waible**, Peoria, IL
(US)

(73) Assignee: **Robert Bosch GmbH**, Stuttgart (DE)

(**) Term: **14 Years**

(21) Appl. No.: **29/414,520**

(22) Filed: **Feb. 29, 2012**

(51) **LOC (9) Cl.** **10-03**

(52) **U.S. Cl.** **D10/40; D10/122**

(58) **Field of Classification Search** D10/40,
D10/122, 123; 239/68, 69, 70; 137/624.11,
137/624.12, 324.21, 624.22, 624.18; D23/245
See application file for complete search history.

(56) **References Cited**

U.S. PATENT DOCUMENTS

D196,603	S	*	10/1963	Bienert	D23/245
4,562,865	A	*	1/1986	Lemkin et al.	137/624.12
4,633,905	A	*	1/1987	Wang	137/624.11
4,807,664	A	*	2/1989	Wilson et al.	137/624.11
D309,175	S	*	7/1990	Hastings et al.	D23/245
D386,985	S	*	12/1997	Cameron	D10/40
D427,085	S	*	6/2000	Steinhagen	D10/40
D430,044	S	*	8/2000	Clivio	D10/40
D467,822	S	*	12/2002	Hsu	D10/40
D476,240	S	*	6/2003	Kuramochi et al.	D10/40
D477,287	S	*	7/2003	Roman	D13/162
D485,502	S	*	1/2004	Clivio	D10/40

D604,183	S	11/2009	Zore et al.	
D604,184	S	11/2009	Leer et al.	
D604,189	S	11/2009	Leer et al.	
D604,190	S	11/2009	Leer et al.	
D605,534	S	12/2009	Zore et al.	
D636,278	S	*	4/2011	Franchini D10/40
D643,755	S	*	8/2011	Nies et al. D10/40
D647,411	S	*	10/2011	Barton et al. D10/40

* cited by examiner

Primary Examiner — Lucy Lieberman

(74) *Attorney, Agent, or Firm* — Maginot, Moore & Beck

(57) **CLAIM**

The ornamental design for a water timer, as shown and described.

DESCRIPTION

FIG. 1 is a perspective view of a water timer showing our new design;

FIG. 2 is a front elevational view showing the design for the water timer of FIG. 1;

FIG. 3 is a right side elevational view showing the design for the water timer of FIG. 1;

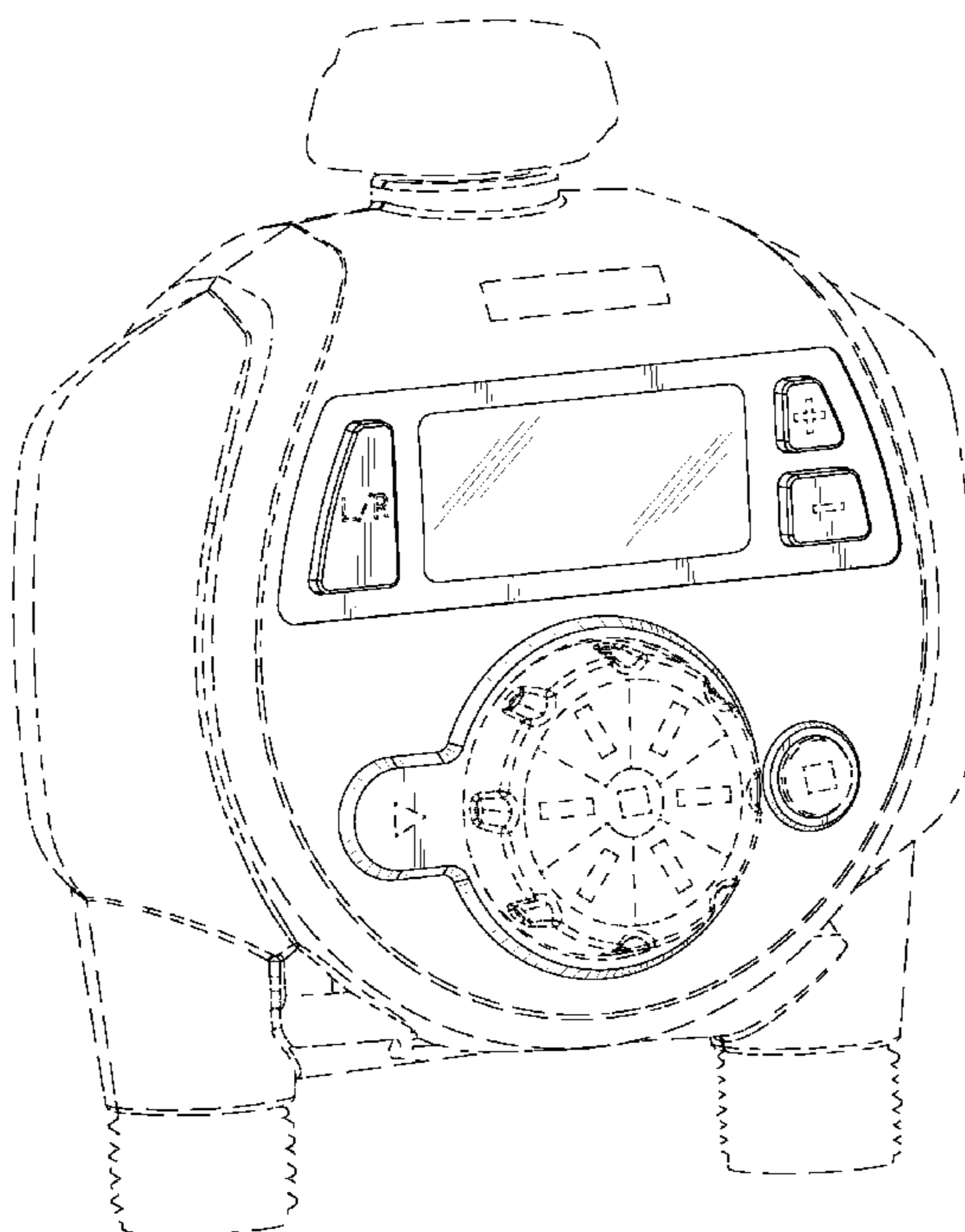
FIG. 4 is left side elevational view showing the design for the water timer of FIG. 1;

FIG. 5 is a top plan view showing the design for the water timer of FIG. 1; and,

FIG. 6 is a bottom plan view showing the design for the water timer of FIG. 1.

The broken line showing of portions of the water timer in the drawings is included for illustrative purposes only and forms no part of the claimed design.

1 Claim, 6 Drawing Sheets



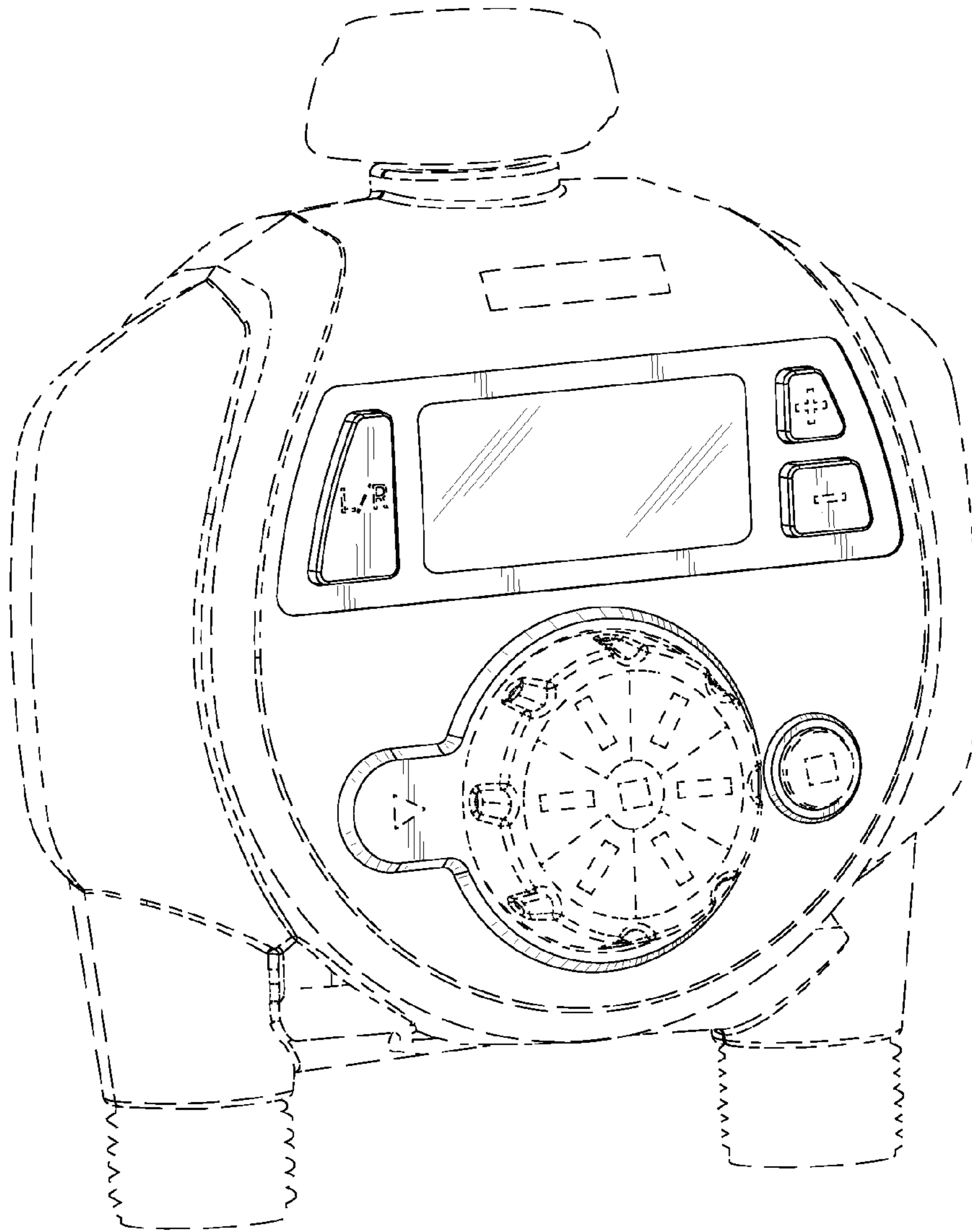


Fig. 1

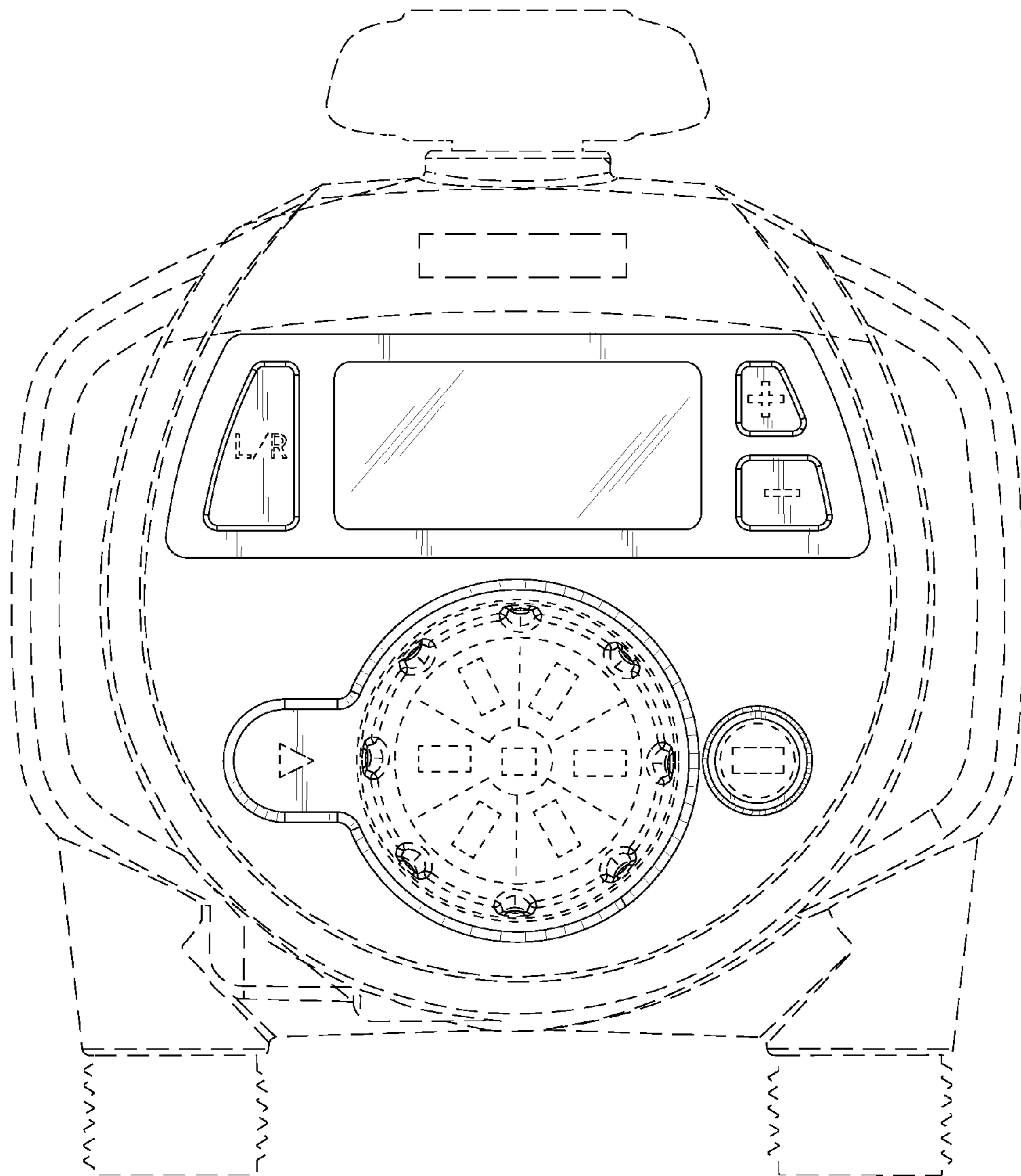


Fig. 2

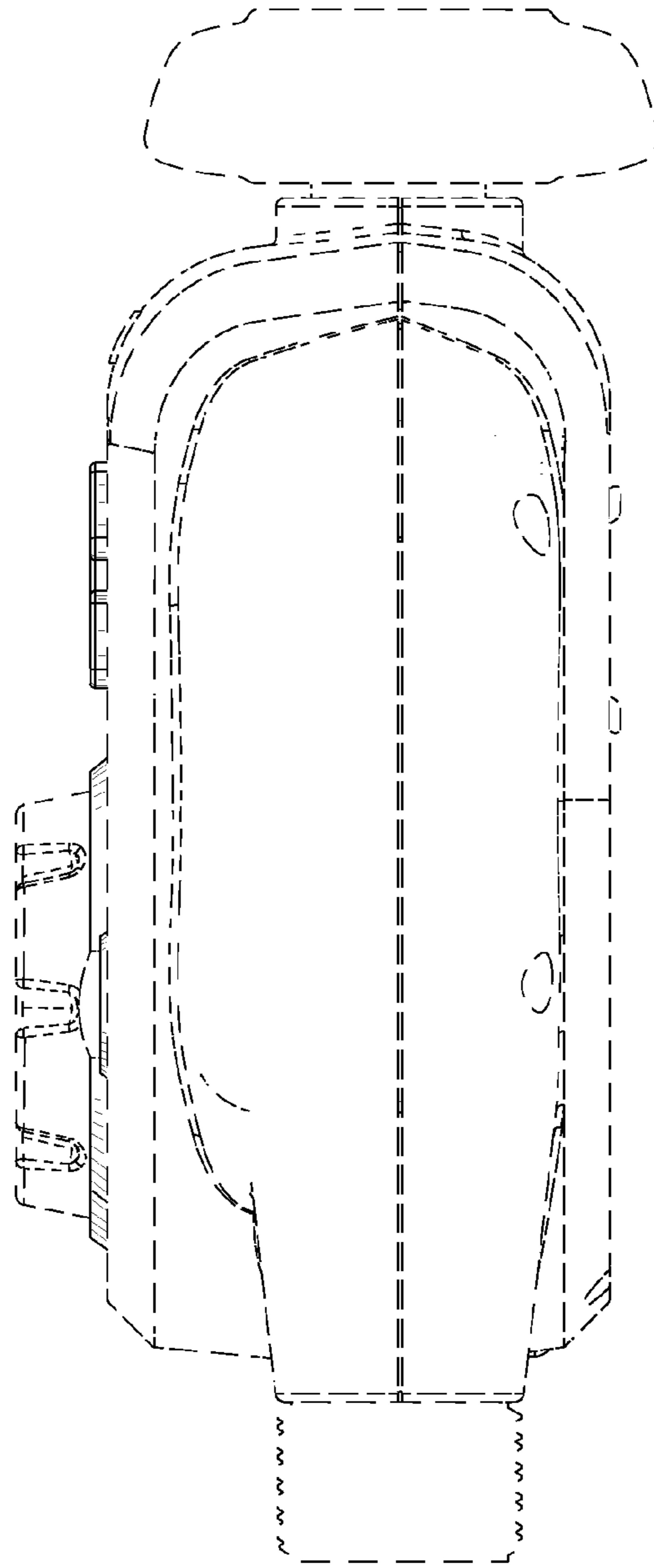


Fig. 3

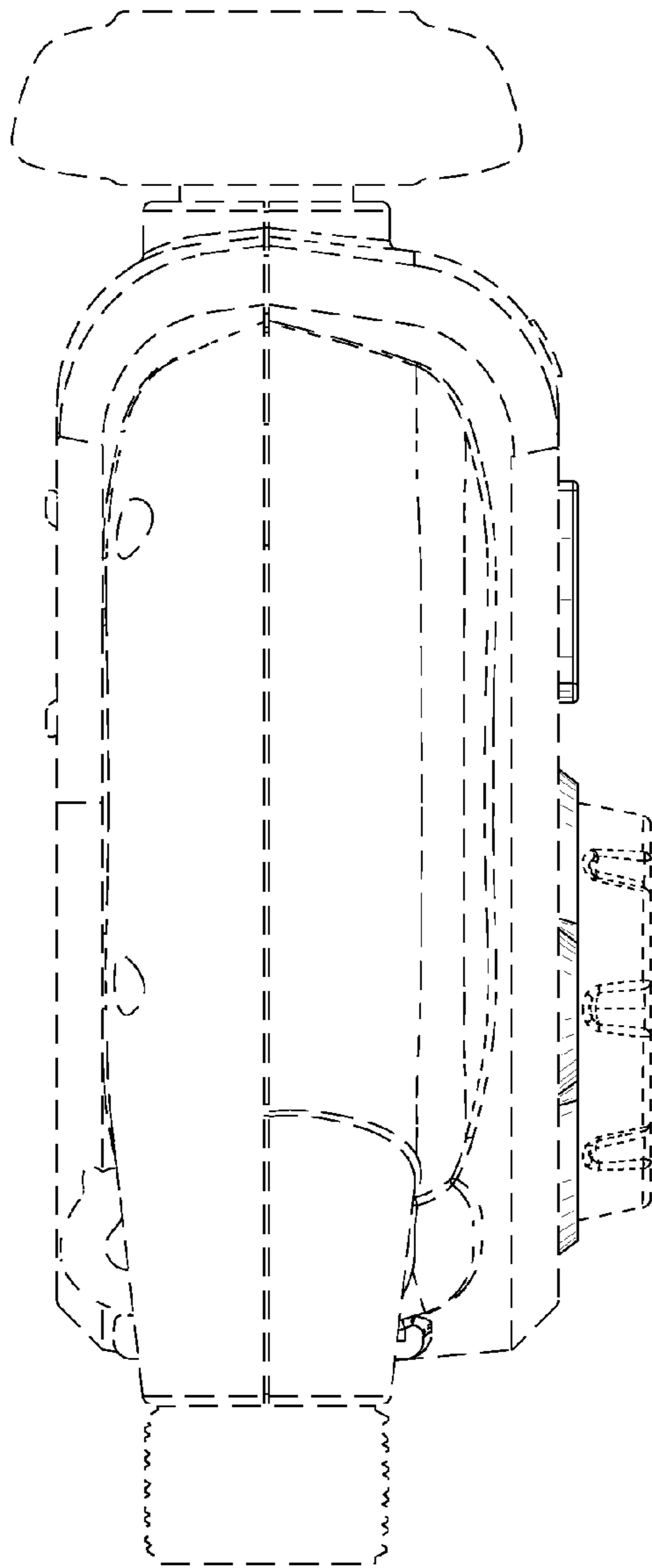


Fig. 4

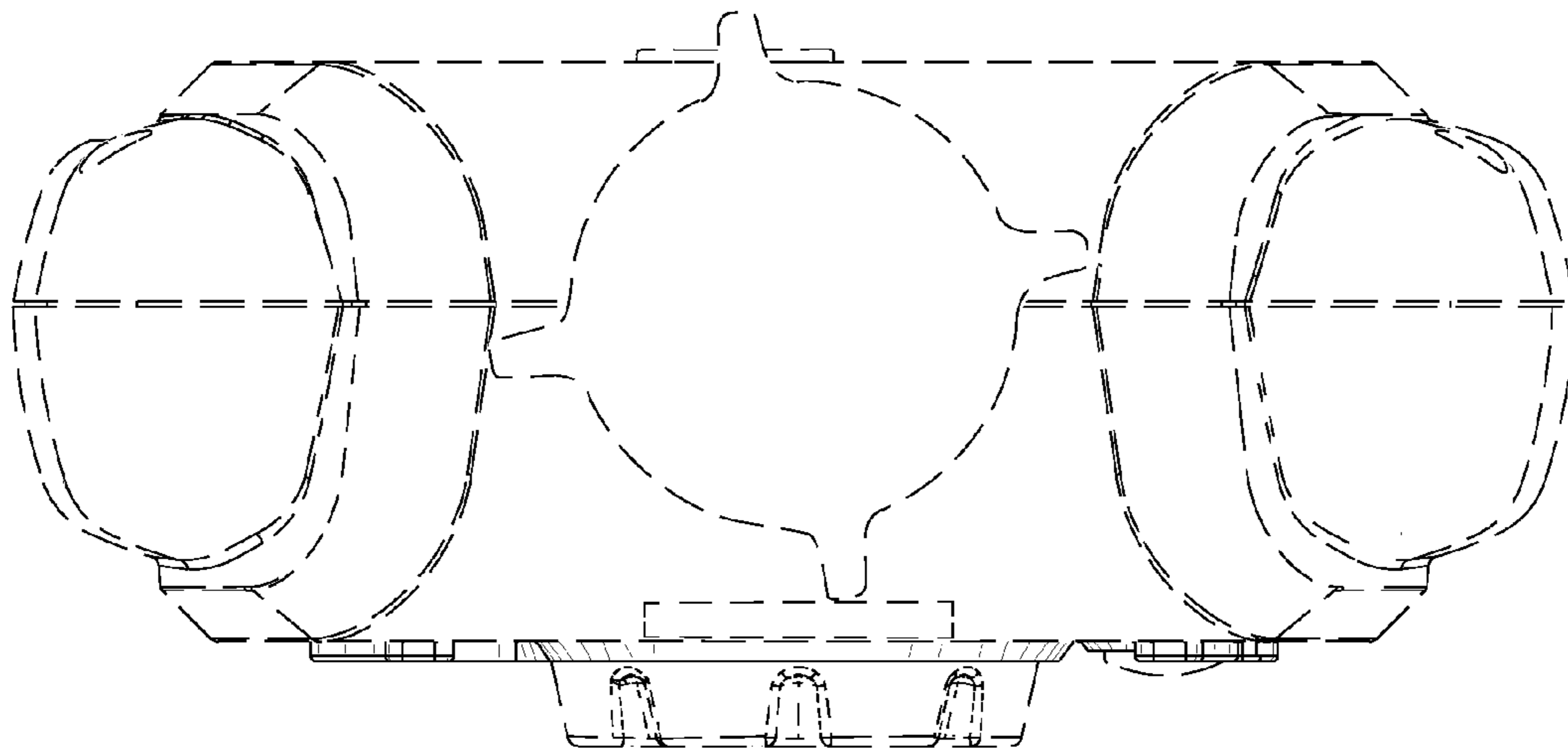


Fig. 5

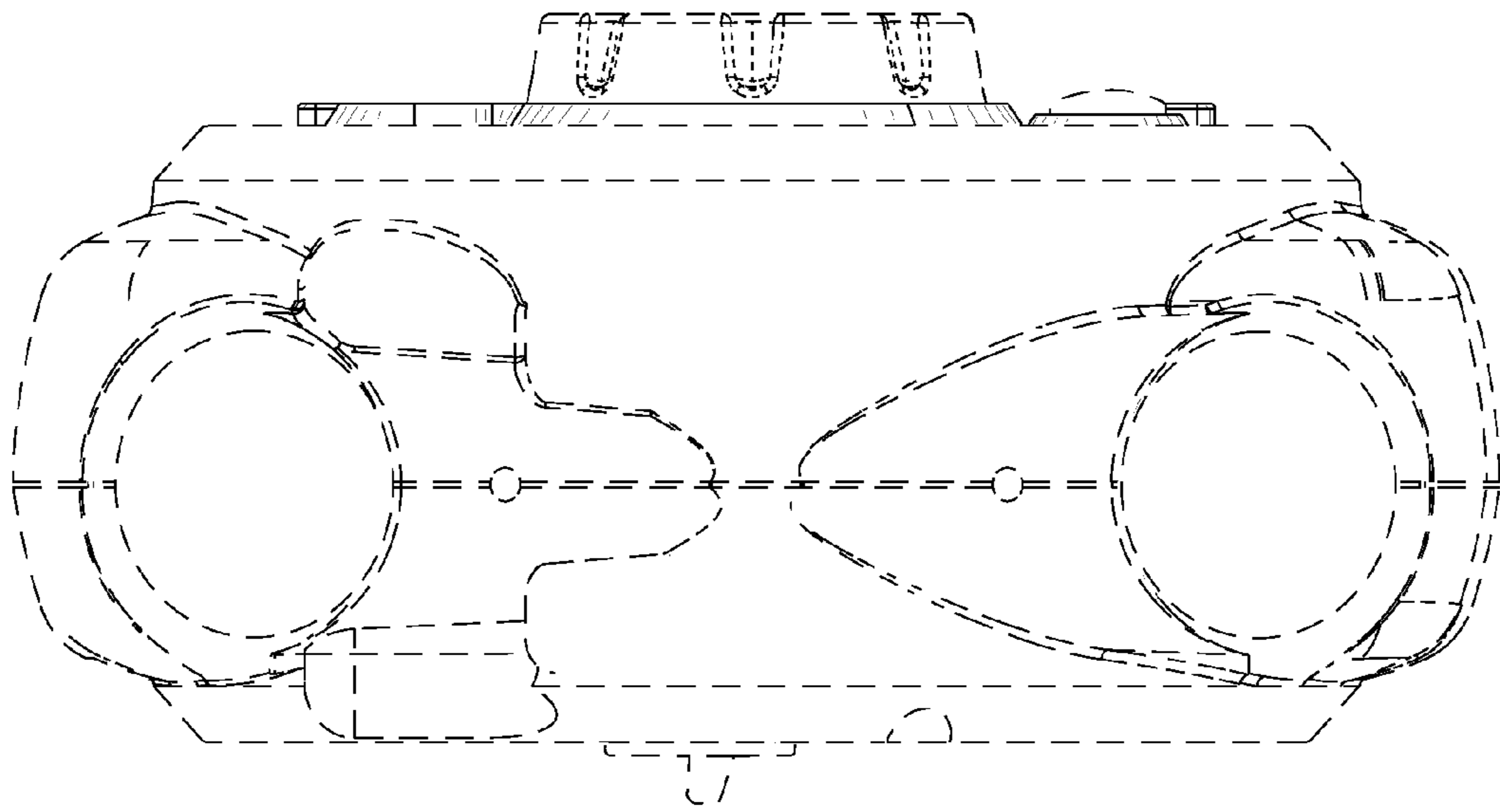


Fig. 6