



US00D671848S

(12) **United States Design Patent**
Chandran et al.

(10) **Patent No.:** **US D671,848 S**
(45) **Date of Patent:** **** Dec. 4, 2012**

(54) **WATER TIMER**

(75) Inventors: **Anand Chandran**, Dunlap, IL (US);
Robert Richard Brimble, Edwards, IL
(US); **Linda Kay Waible**, Peoria, IL
(US)

(73) Assignee: **Robert Bosch GmbH**, Stuttgart (DE)

(**) Term: **14 Years**

(21) Appl. No.: **29/414,516**

(22) Filed: **Feb. 29, 2012**

(51) **LOC (9) Cl.** **10-07**

(52) **U.S. Cl.** **D10/40**

(58) **Field of Classification Search** D10/40,
D10/122-126; 239/68, 69, 70; 137/624.11,
137/624.12, 324.21, 624.22, 624.18; D23/245
See application file for complete search history.

D477,287	S	*	7/2003	Roman	D13/162
D485,502	S	*	1/2004	Clivio	D10/40
7,252,113	B2	*	8/2007	Jacobs et al.	137/624.11
D559,708	S	*	1/2008	Michael et al.	D10/40
D567,681	S	*	4/2008	Michael et al.	D10/40
7,404,415	B2	*	7/2008	Jacobs et al.	137/624.11
D604,183	S	*	11/2009	Zore et al.	D10/40
D604,184	S		11/2009	Leer et al.		
D604,189	S		11/2009	Leer et al.		
D604,190	S		11/2009	Leer et al.		
D605,534	S		12/2009	Zore et al.		
7,810,515	B2	*	10/2010	Nies et al.	137/78.3
D630,952	S	*	1/2011	Nies et al.	D10/40
D636,278	S	*	4/2011	Franchini	D10/40
D647,411	S	*	10/2011	Barton et al.	D10/40

* cited by examiner

Primary Examiner — Lucy Lieberman

(74) *Attorney, Agent, or Firm* — Maginot, Moore & Beck

(57) **CLAIM**

The ornamental design for a water timer, as shown and described.

(56) **References Cited**

U.S. PATENT DOCUMENTS

D191,294	S	*	9/1961	Charnota	D23/246
D196,603	S	*	10/1963	Beinert	D23/245
D263,069	S	*	2/1982	Chow et al.	D23/245
4,335,852	A	*	6/1982	Chow	239/68
D281,808	S	*	12/1985	Lemkin et al.	D23/245
4,562,865	A	*	1/1986	Lemkin et al.	137/624.12
4,633,905	A	*	1/1987	Wang	137/624.11
D299,516	S	*	1/1989	Wang	D23/200
4,797,820	A	*	1/1989	Wilson et al.	700/284
4,807,664	A	*	2/1989	Wilson et al.	137/624.11
D304,224	S	*	10/1989	Wilson et al.	D23/245
D309,175	S	*	7/1990	Hastings et al.	D23/245
5,458,152	A	*	10/1995	Goehner et al.	137/624.12
D365,771	S	*	1/1996	Clivio	D10/96
D386,985	S	*	12/1997	Cameron	D10/40
D430,044	S	*	8/2000	Clivio	D10/40
6,397,888	B1	*	6/2002	Wang	137/624.12
D467,822	S	*	12/2002	Hsu	D10/40
D476,240	S	*	6/2003	Kuramochi et al.	D10/40

DESCRIPTION

FIG. 1 is a perspective view of a water timer showing our new design;

FIG. 2 is a front elevational view showing the design for the water timer of FIG. 1;

FIG. 3 is a right side elevational view showing the design for the water timer of FIG. 1;

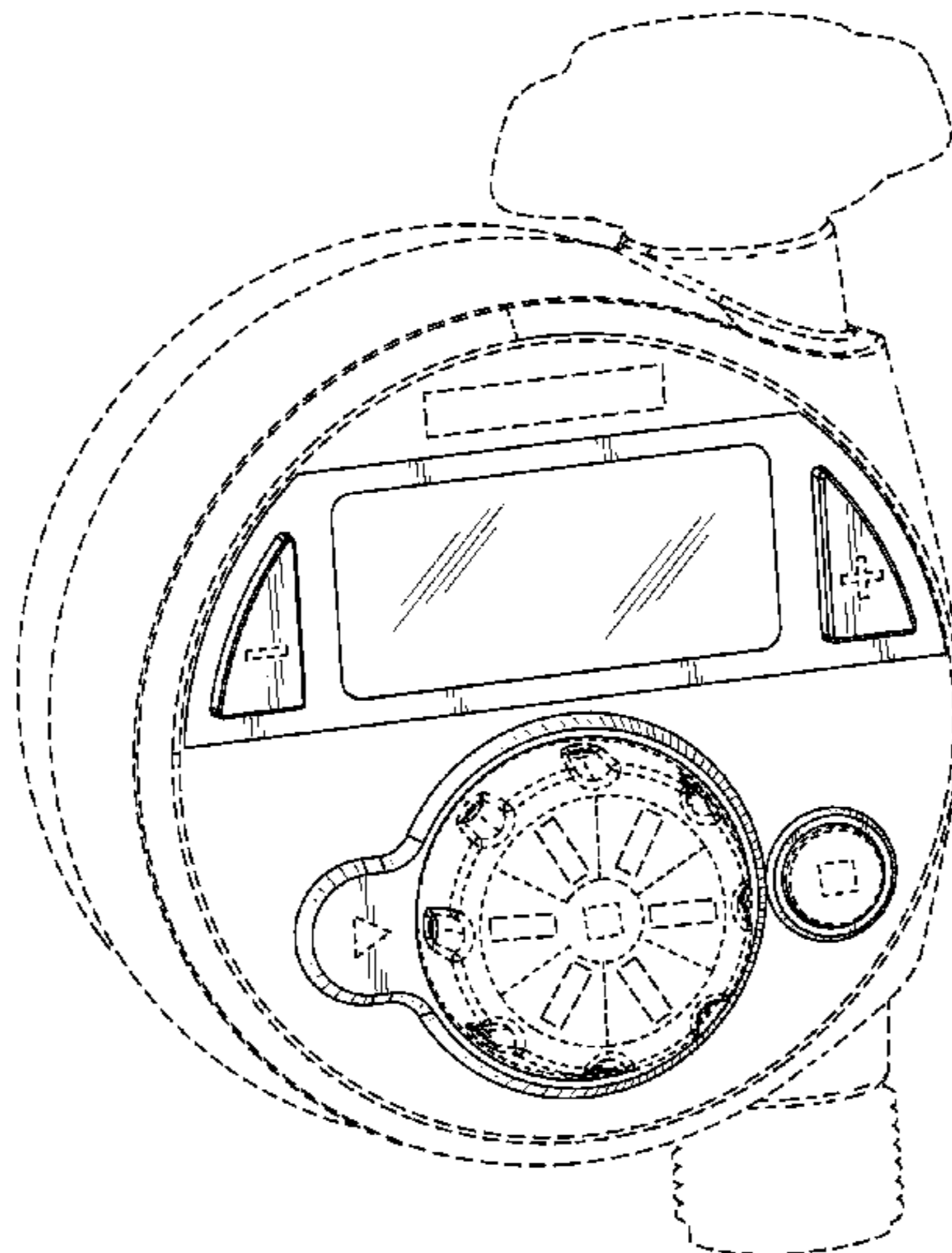
FIG. 4 is left side elevational view showing the design for the water timer of FIG. 1;

FIG. 5 is a top plan view showing the design for the water timer of FIG. 1; and,

FIG. 6 is a bottom plan view showing the design for the water timer of FIG. 1.

The broken line showing of portions of the water timer in the drawings is included for illustrative purposes only and forms no part of the claimed design.

1 Claim, 6 Drawing Sheets



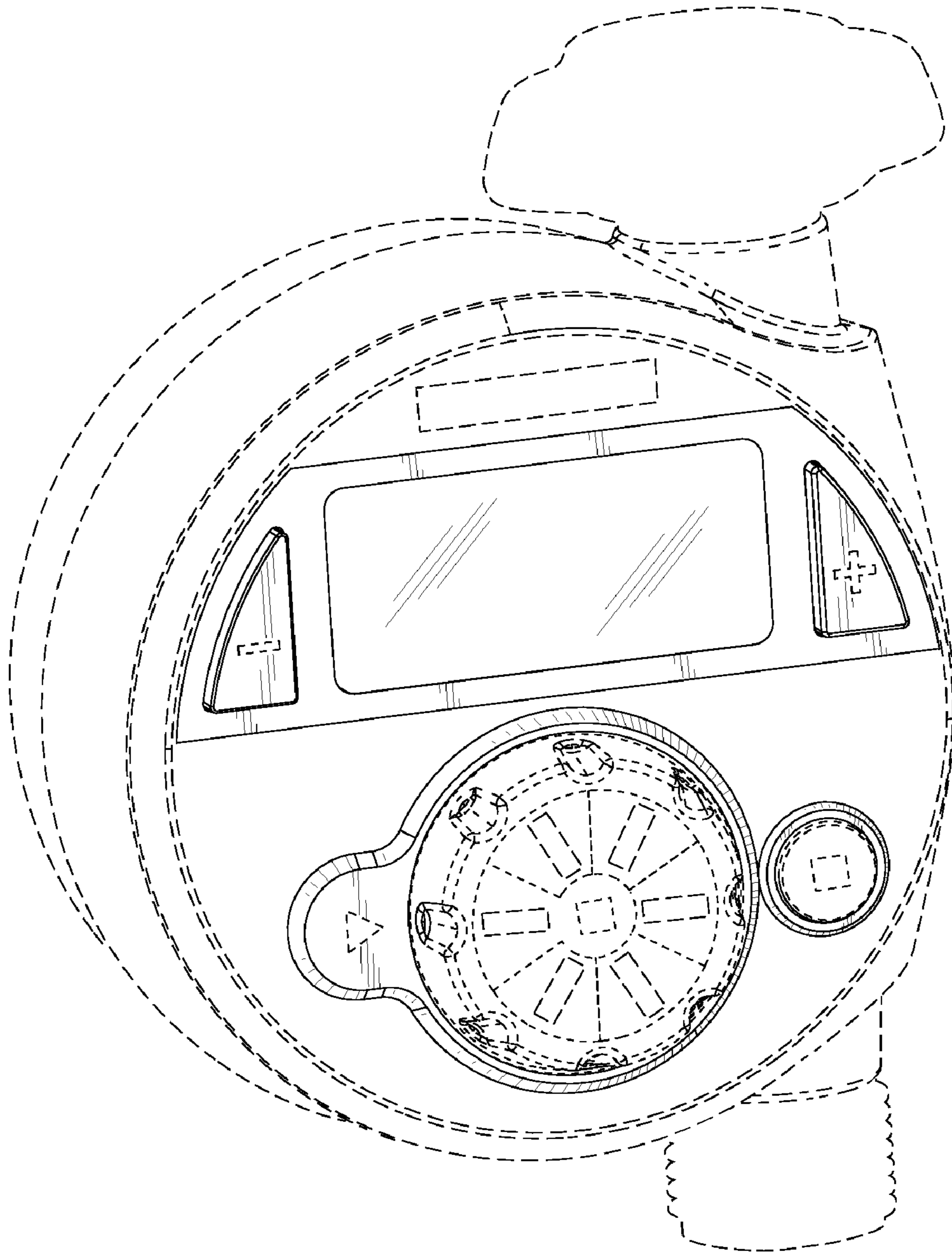


Fig. 1

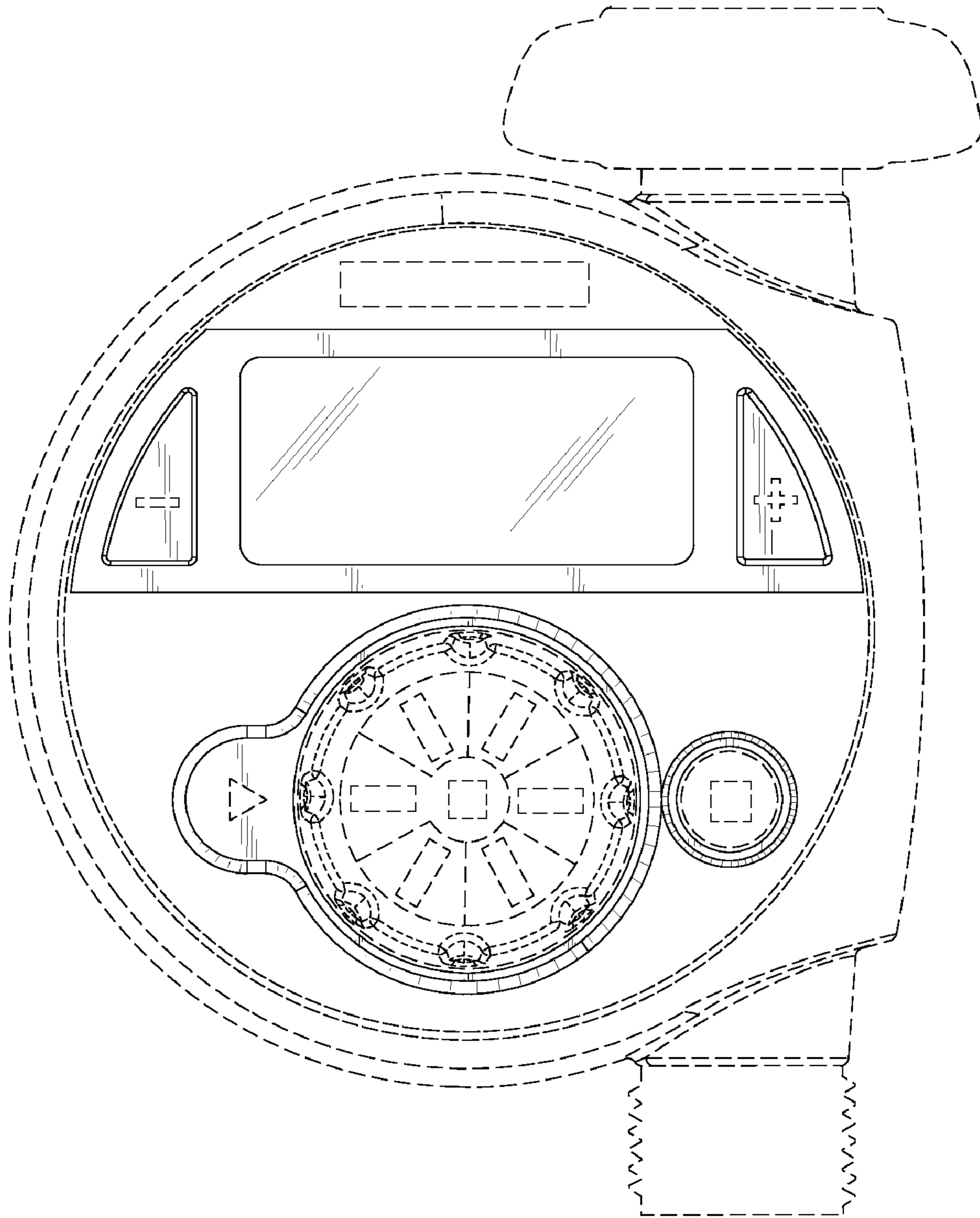


Fig. 2

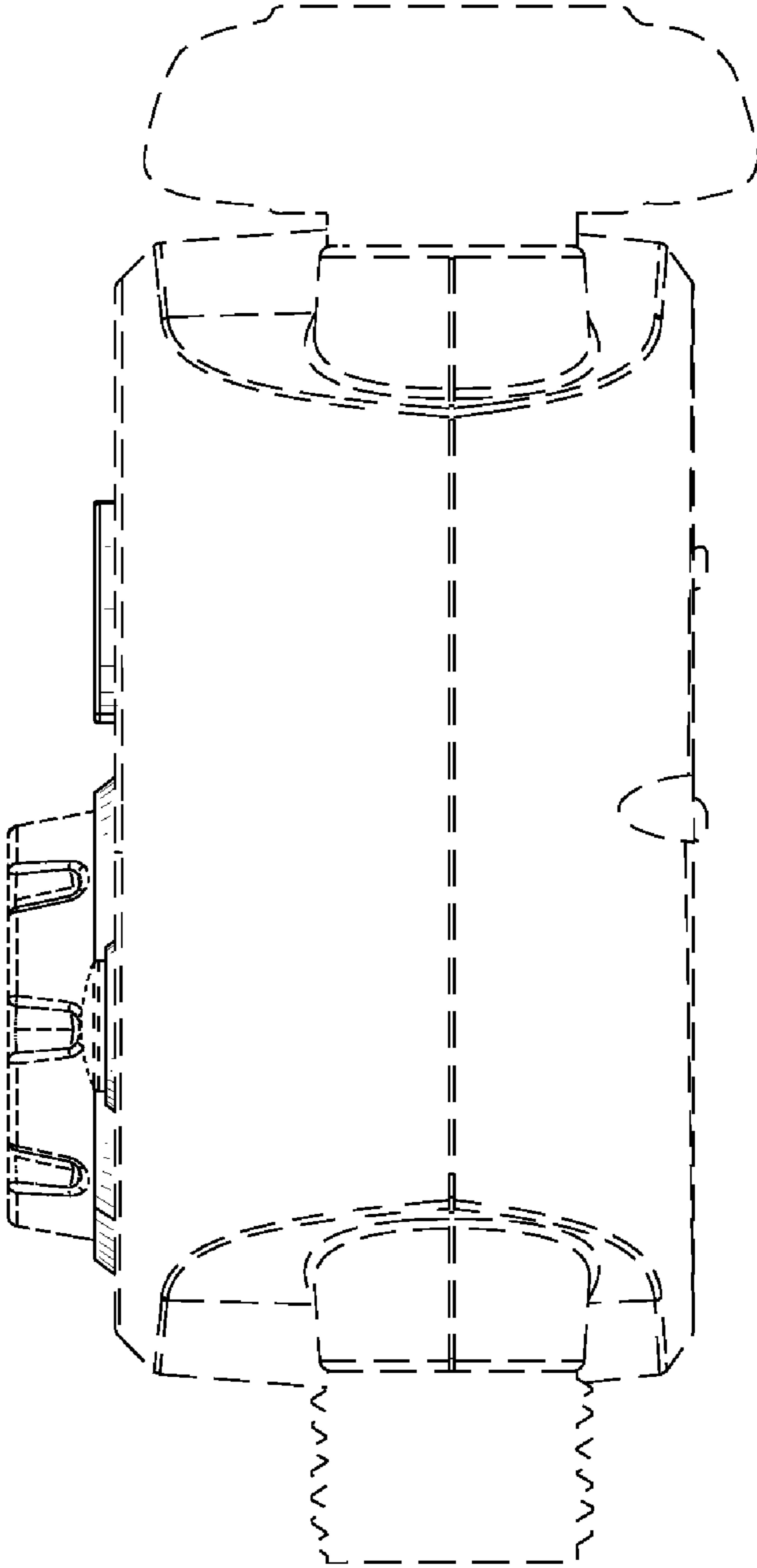


Fig. 3

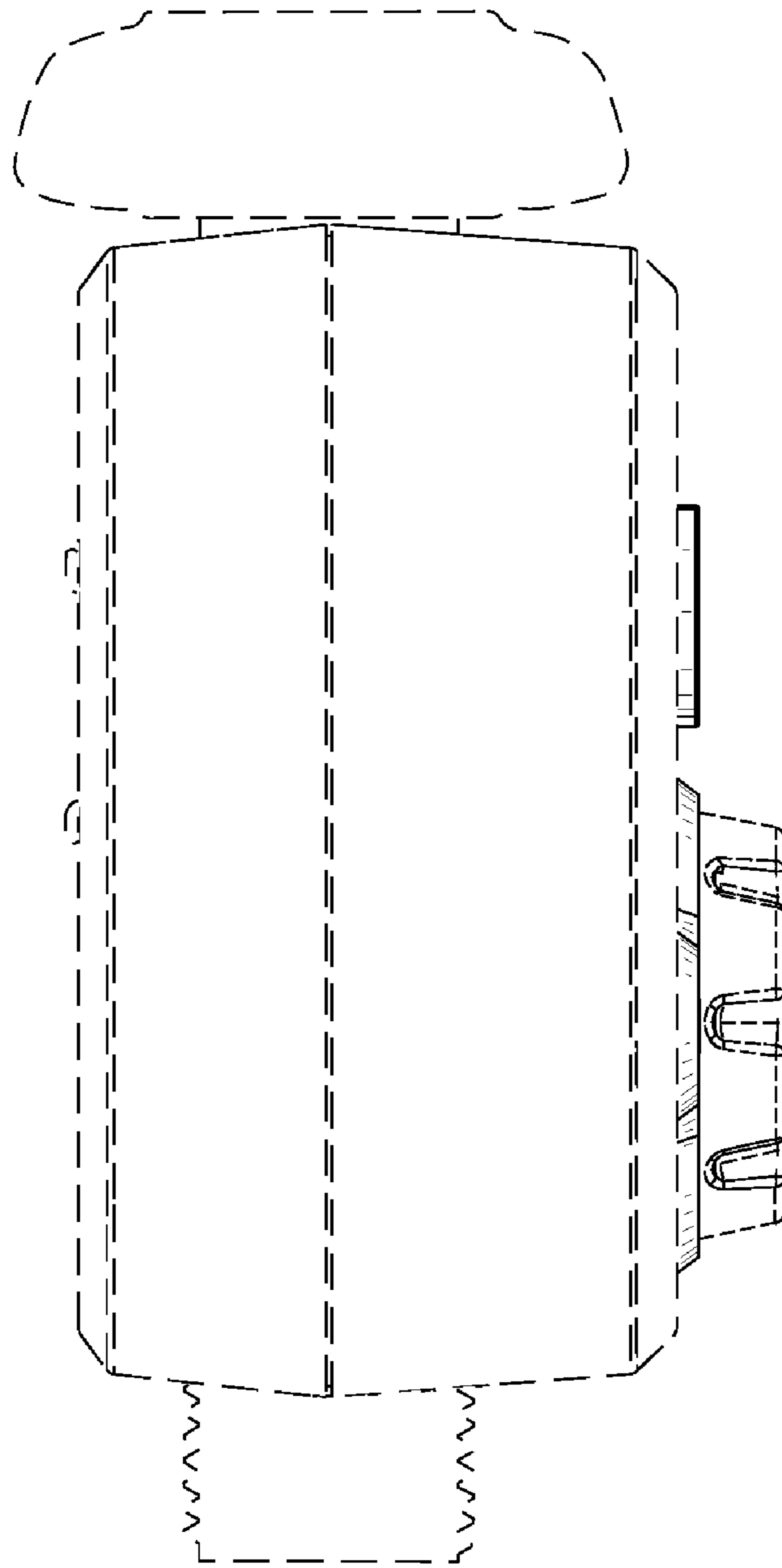


Fig. 4

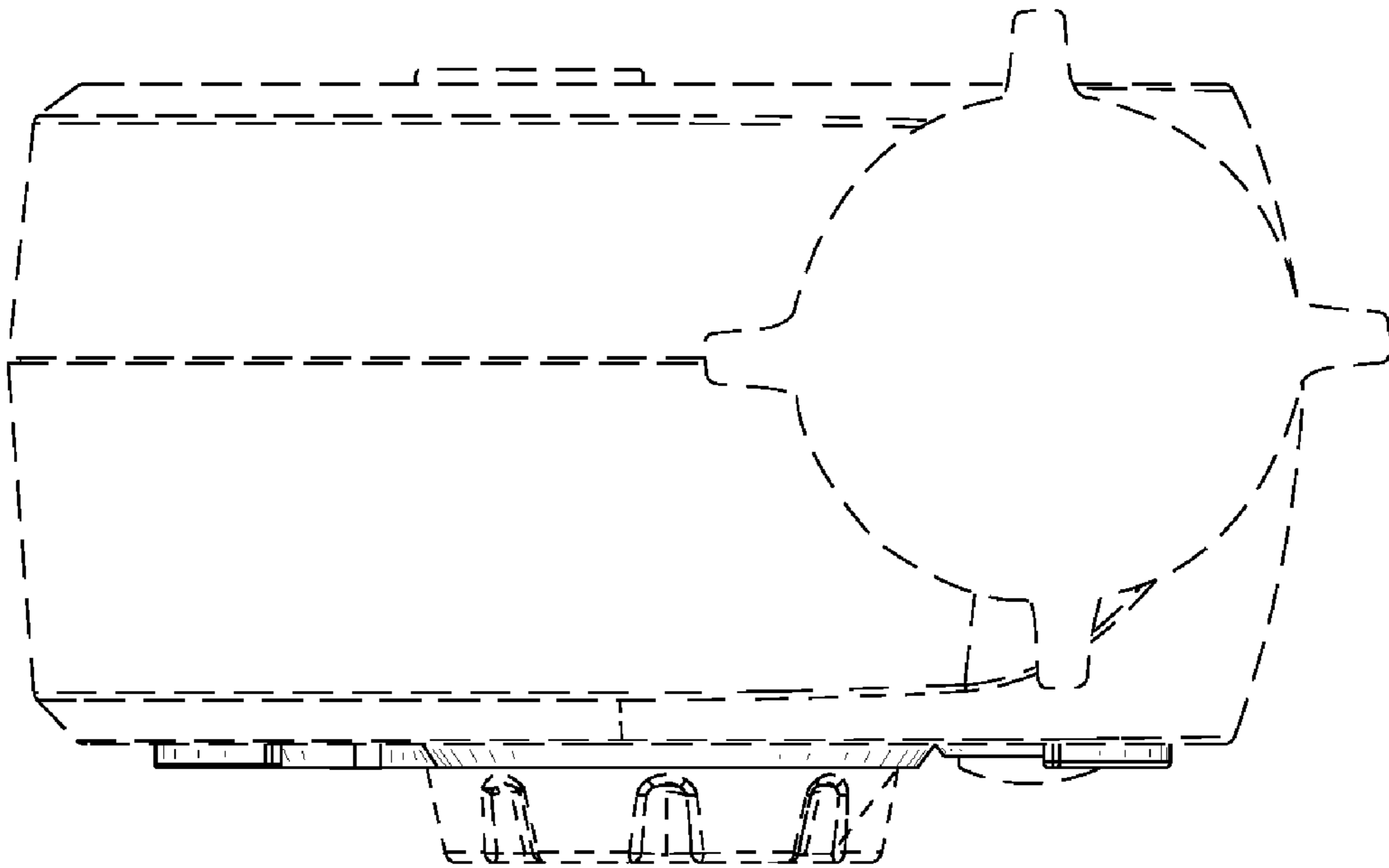


Fig. 5

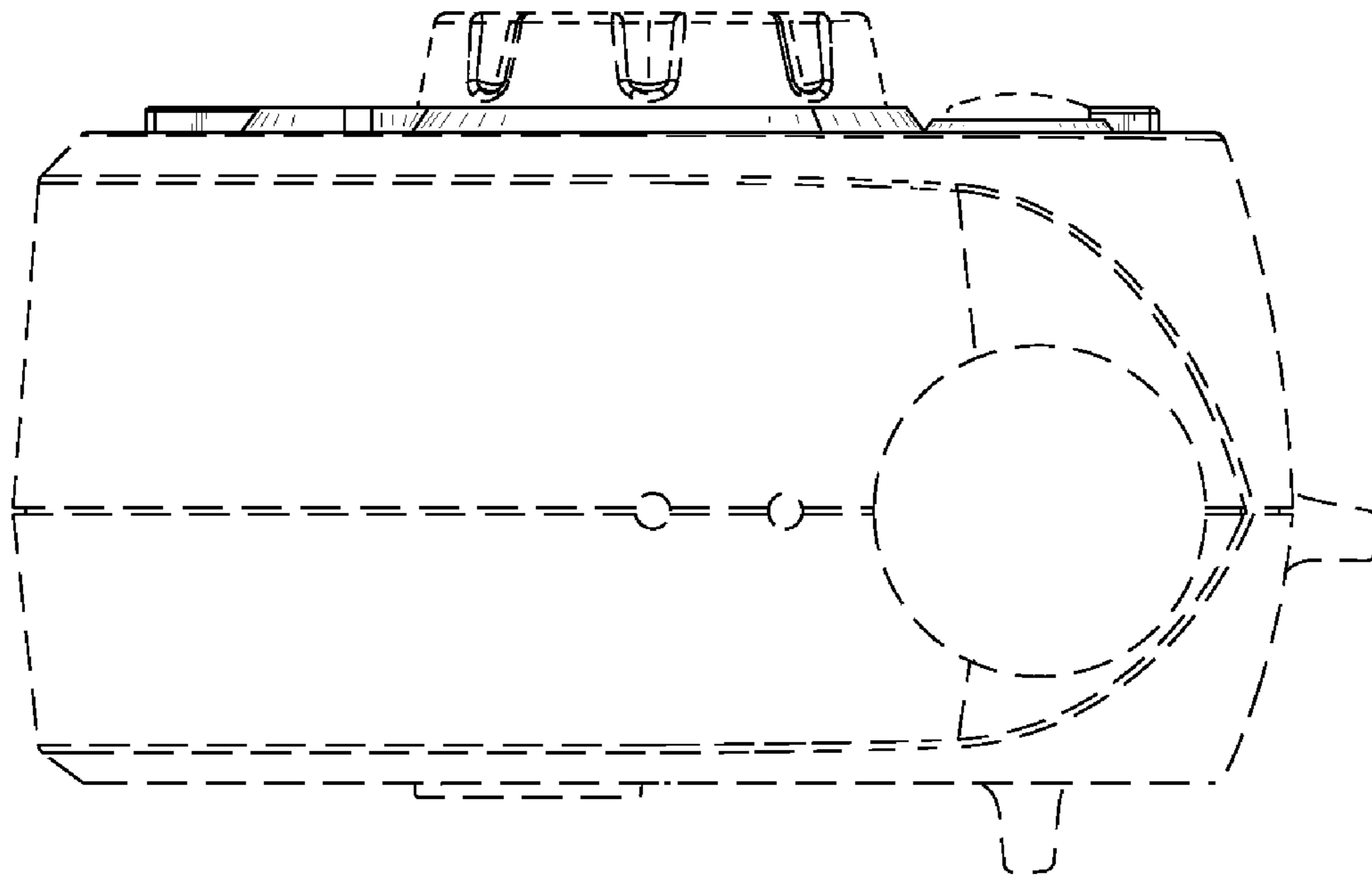


Fig. 6