



US00D671841S

(12) **United States Design Patent**
McClellan et al.

(10) **Patent No.:** **US D671,841 S**
(45) **Date of Patent:** **** Dec. 4, 2012**

(54) **BEVERAGE BAG**

(56) **References Cited**

(75) Inventors: **Ruth McClellan**, Pittsfield, PA (US);
Ben Ludwig, Ashville, NY (US); **Brad Bielawski**, Warren, PA (US); **Peter Dorney**, Winter Springs, FL (US);
Kristin Eames, Russell, PA (US); **Gail Grosch**, Warren, PA (US); **Andrew Sokolski**, Warren, PA (US)

U.S. PATENT DOCUMENTS

D194,806 S * 3/1963 Kracht D9/520
D465,726 S * 11/2002 Tet D9/708
D570,709 S * 6/2008 Henri, Jr. D23/211.1
D654,372 S * 2/2012 Hung D9/710

* cited by examiner

Primary Examiner — Caron D Veynar

Assistant Examiner — Abraham Bahta

(74) *Attorney, Agent, or Firm* — Buchanan Ingersoll & Rooney PC

(73) Assignee: **Whirley Industries, Inc.**, Warren, PA (US)

(**) Term: **14 Years**

(57) **CLAIM**

The ornamental design for a beverage bag, as shown and described.

(21) Appl. No.: **29/424,058**

(22) Filed: **Jun. 7, 2012**

DESCRIPTION

Related U.S. Application Data

(62) Division of application No. 29/403,279, filed on Oct. 4, 2011.

(51) **LOC (9) Cl.** **09-05**

(52) **U.S. Cl.** **D9/709**

(58) **Field of Classification Search** D9/702-714,
D9/443, 447, 499, 516-517, 523-524, 526-530,
D9/719, 572, 738, 742, 544; 222/92, 210,
222/212, 215; D23/211.1, 212; 220/200,
220/260, 288, 768, 901, 495.03, 675; 206/815;
215/200, 217-218, 382-385, 396, 371, 400;
D7/212, 321; 383/61.1, 80-81, 104, 901;
D24/118, 207; D3/202

FIG. 1 is a perspective view of a beverage bag showing our new design;

FIG. 2 is a perspective view thereof, showing the bag in an expanded condition;

FIG. 3 is a left side view thereof, with the right side view being the mirror image of the left side view;

FIG. 4 is a left side view thereof, with the bag in an expanded condition and with the right side view of the expanded bag being the mirror image of the expanded left side view

FIG. 5 is a top view thereof;

FIG. 6 is a top view of the expanded bag;

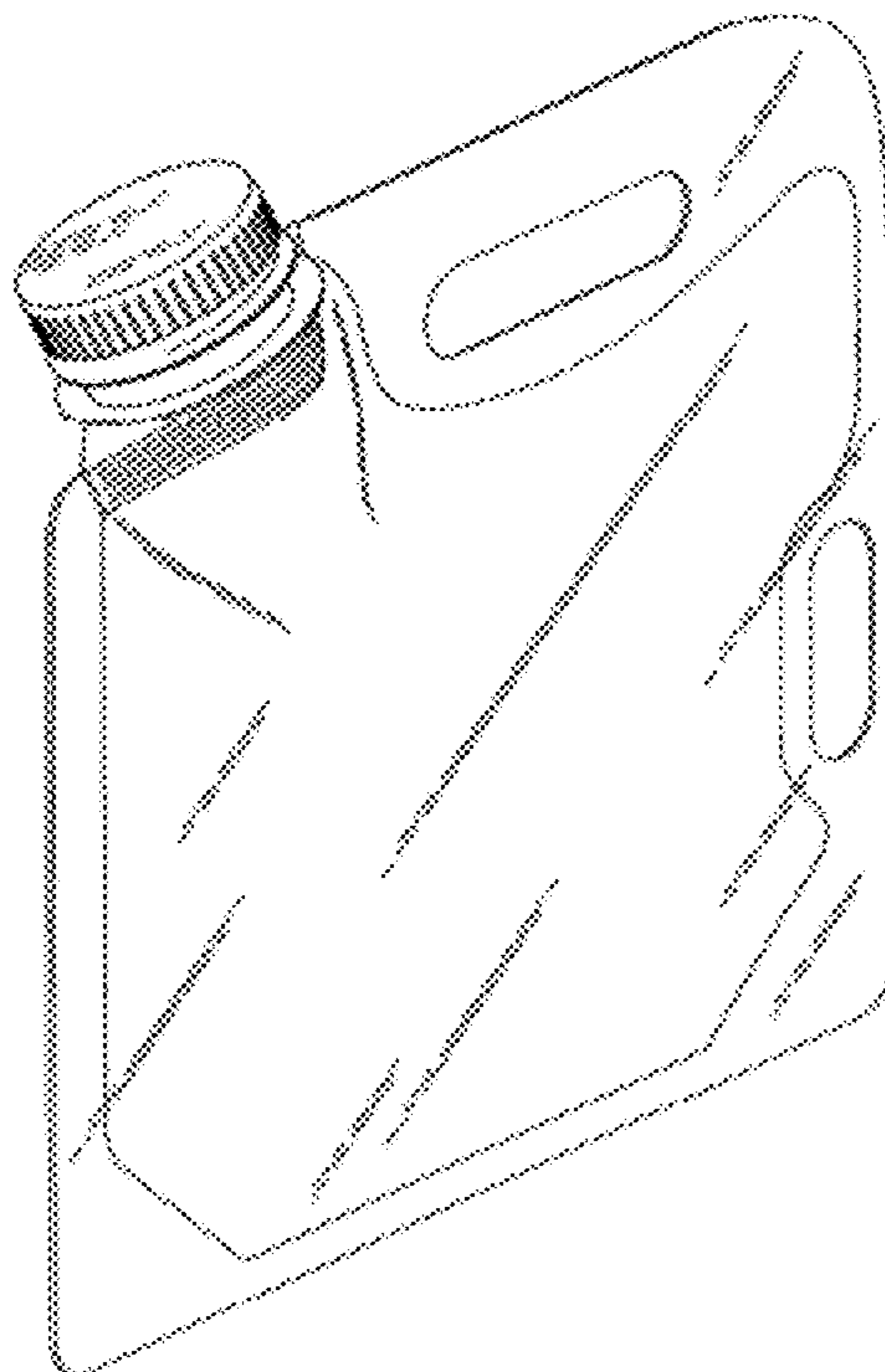
FIG. 7 is a front view thereof;

FIG. 8 is a front view of the expanded bag; and,

FIG. 9 is a bottom view of the expanded bag.

See application file for complete search history.

1 Claim, 4 Drawing Sheets



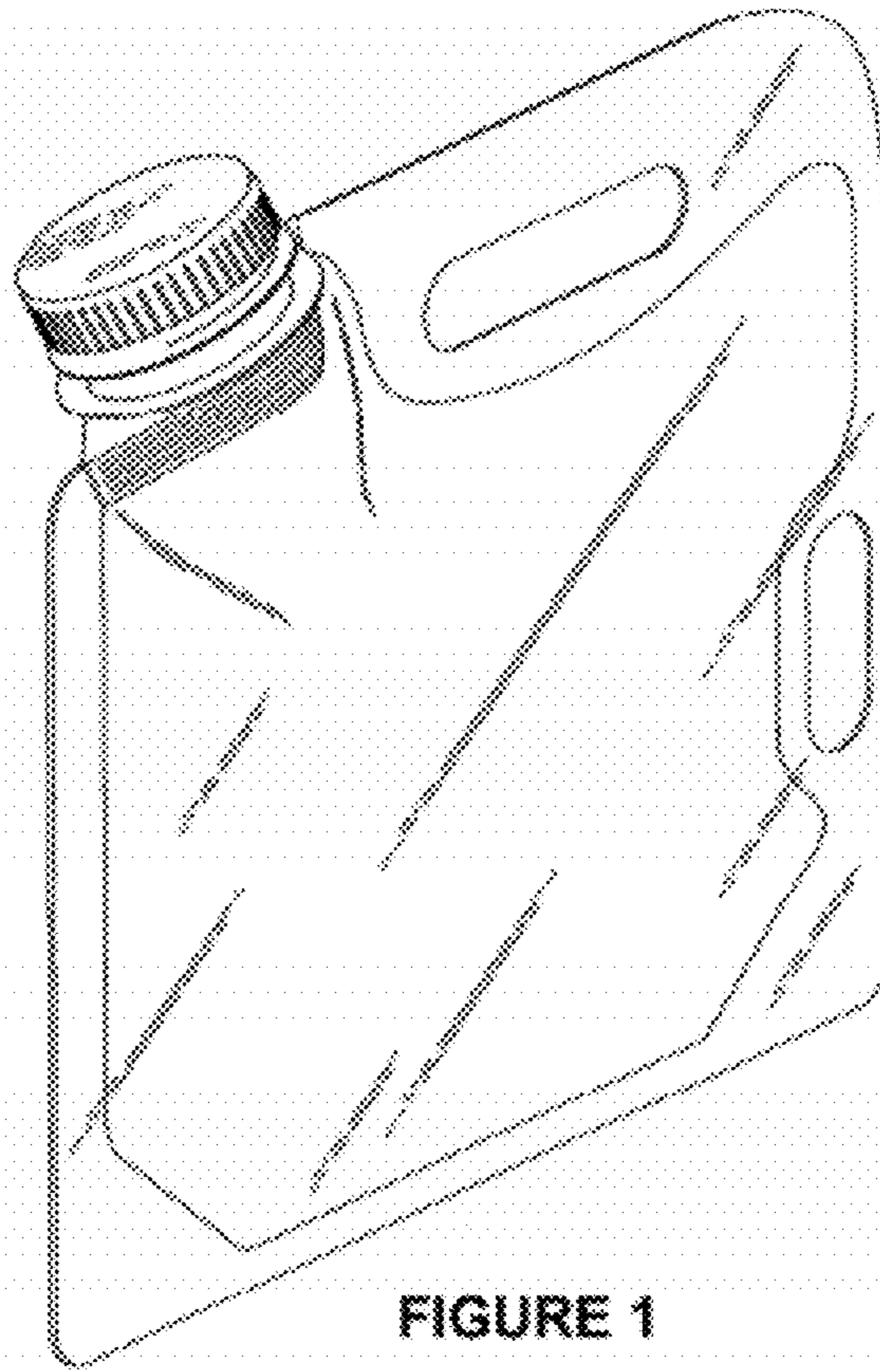


FIGURE 1

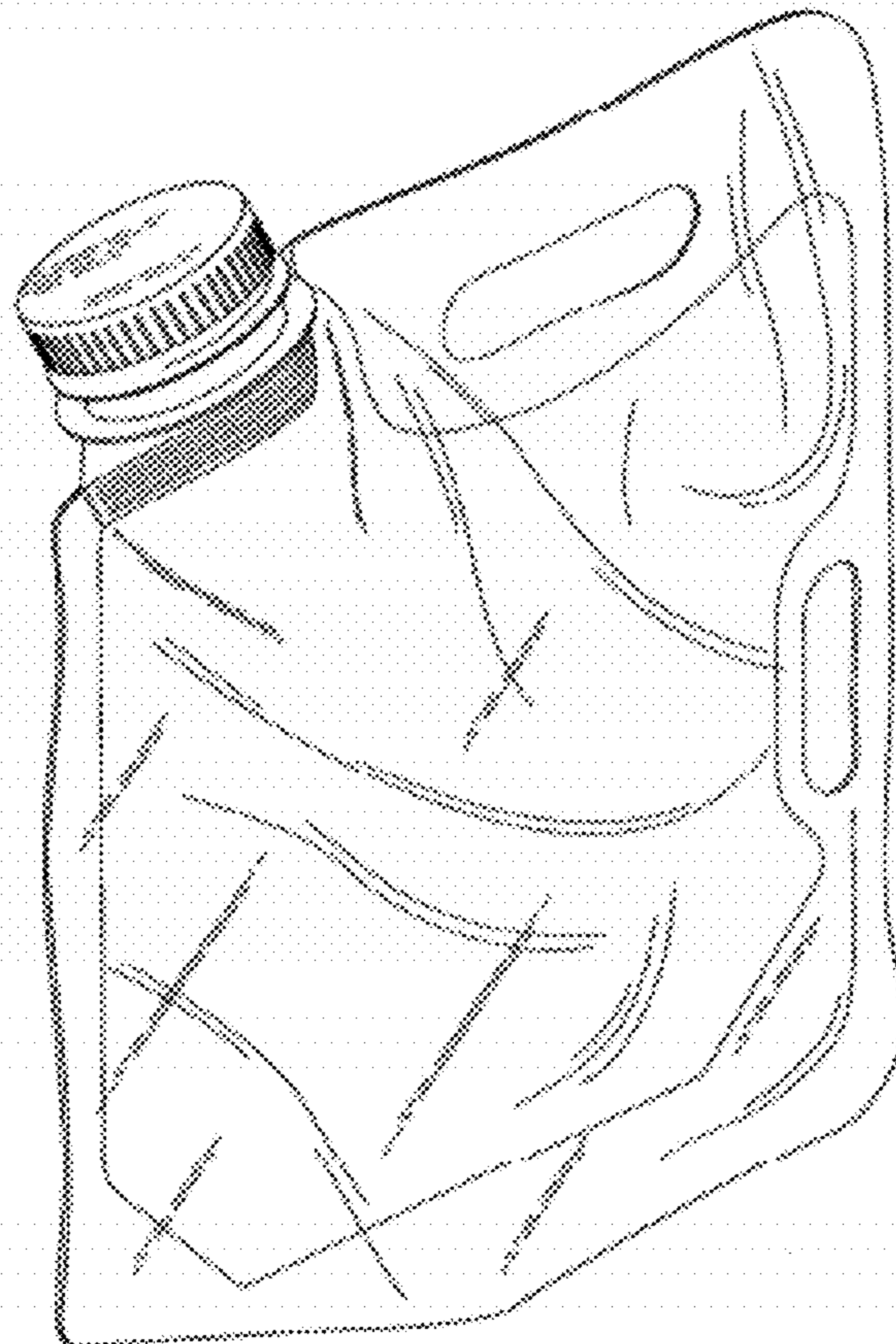


FIGURE 2

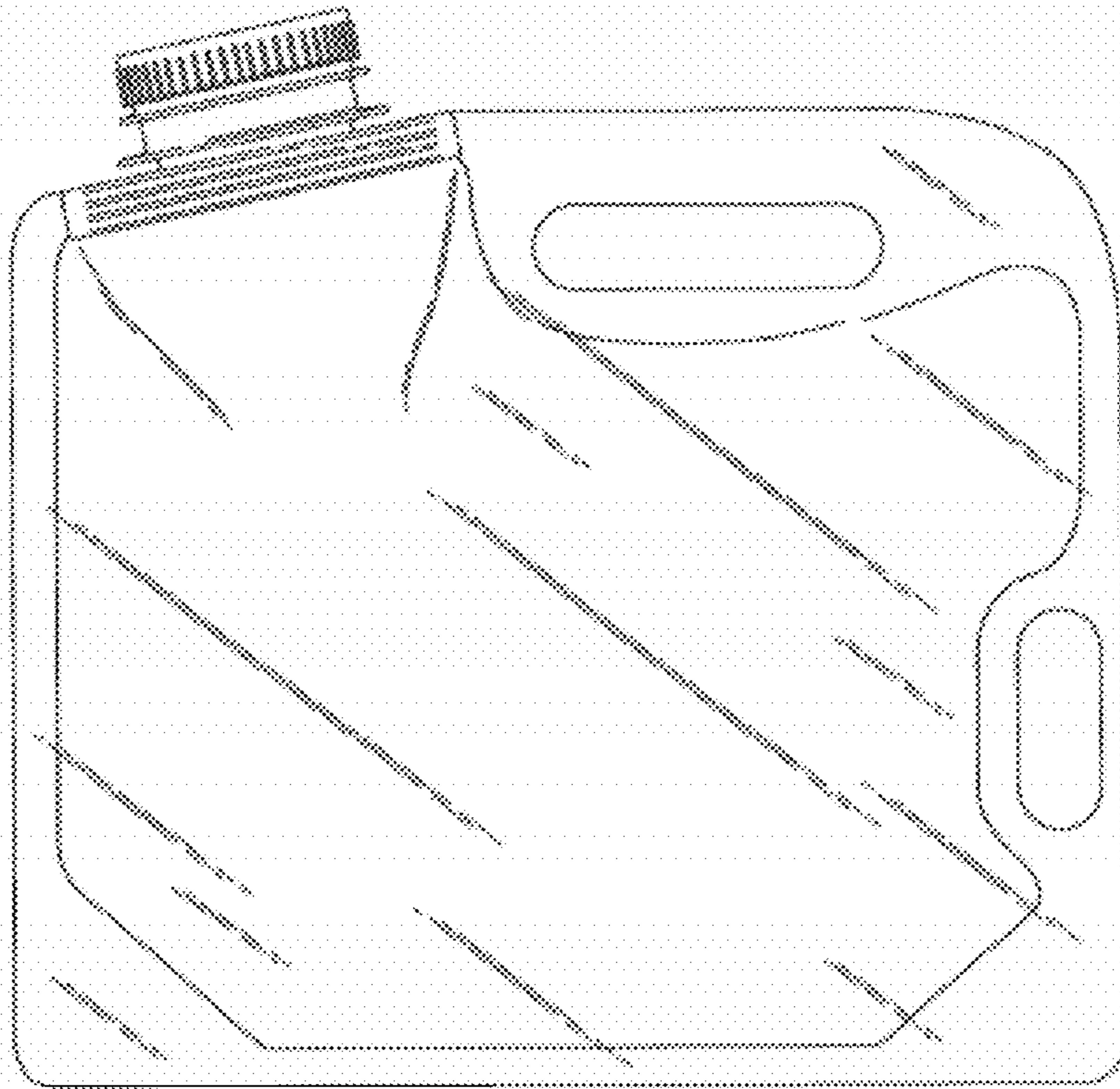


FIGURE 3

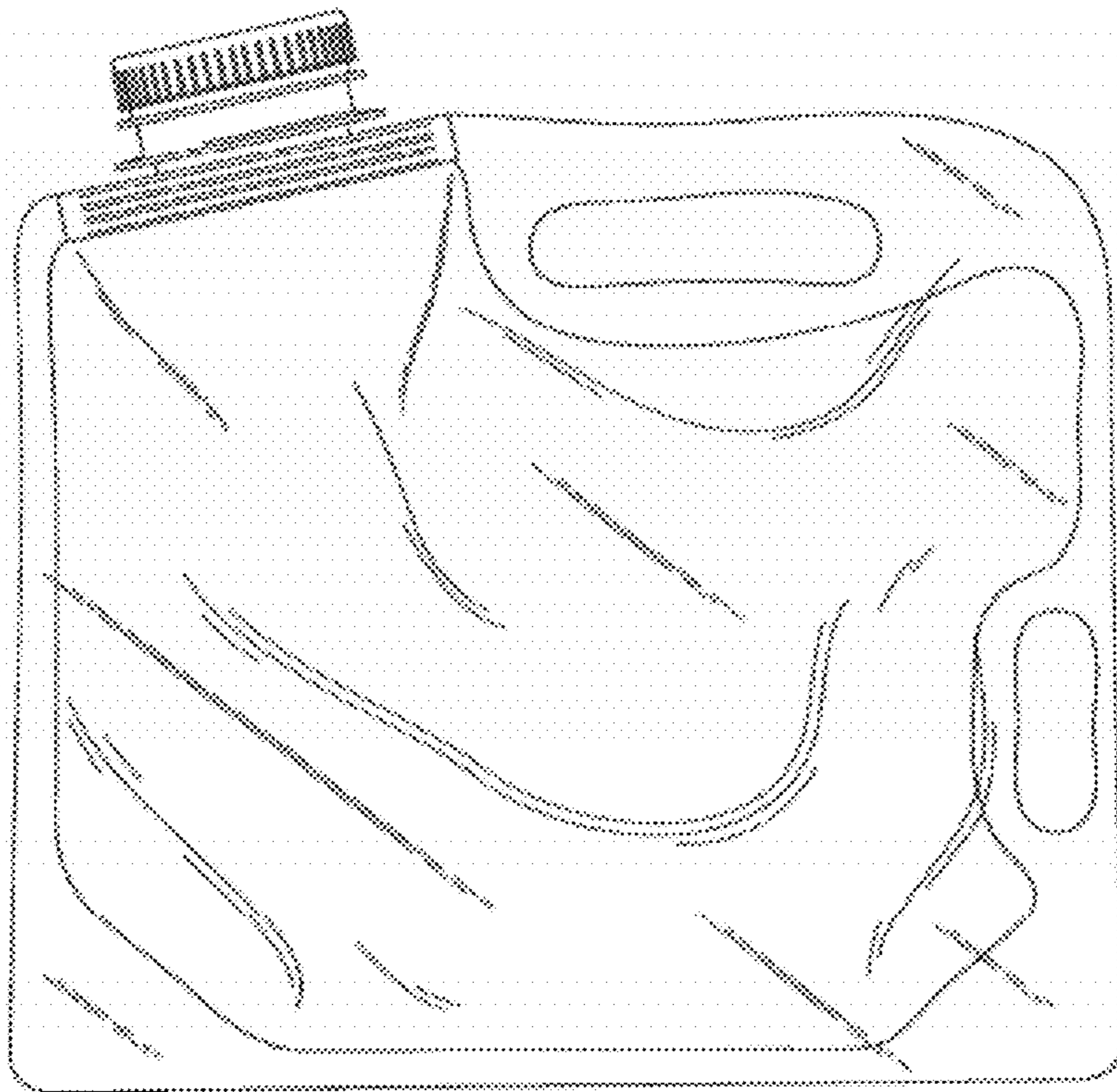


FIGURE 4

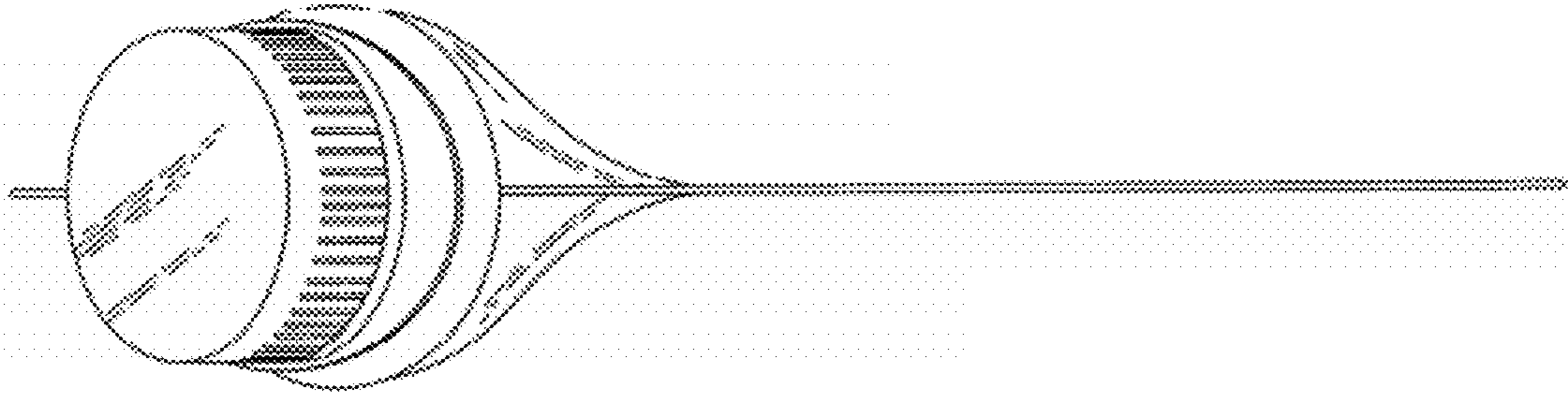


FIGURE 5

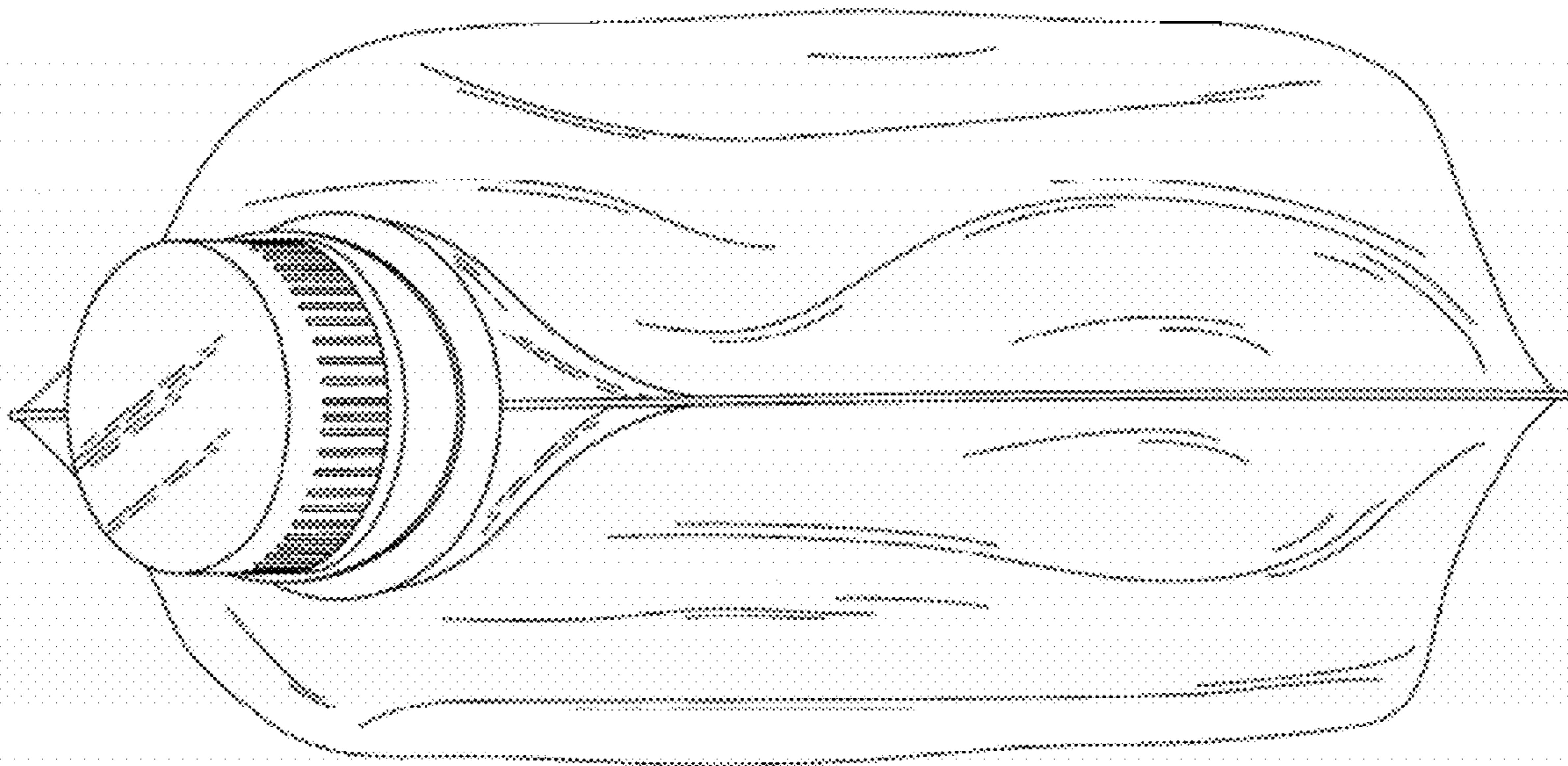


FIGURE 6

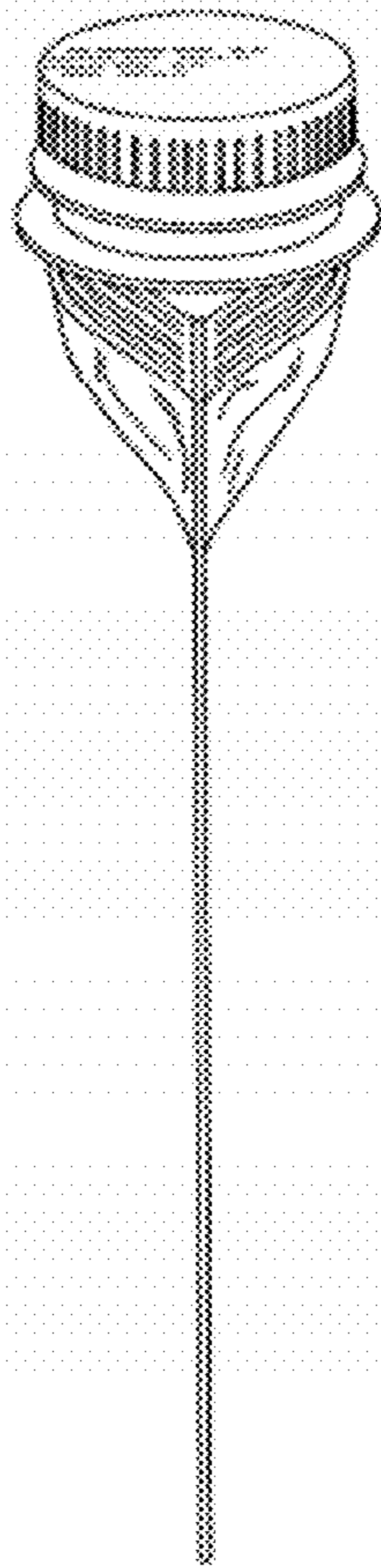


FIGURE 7

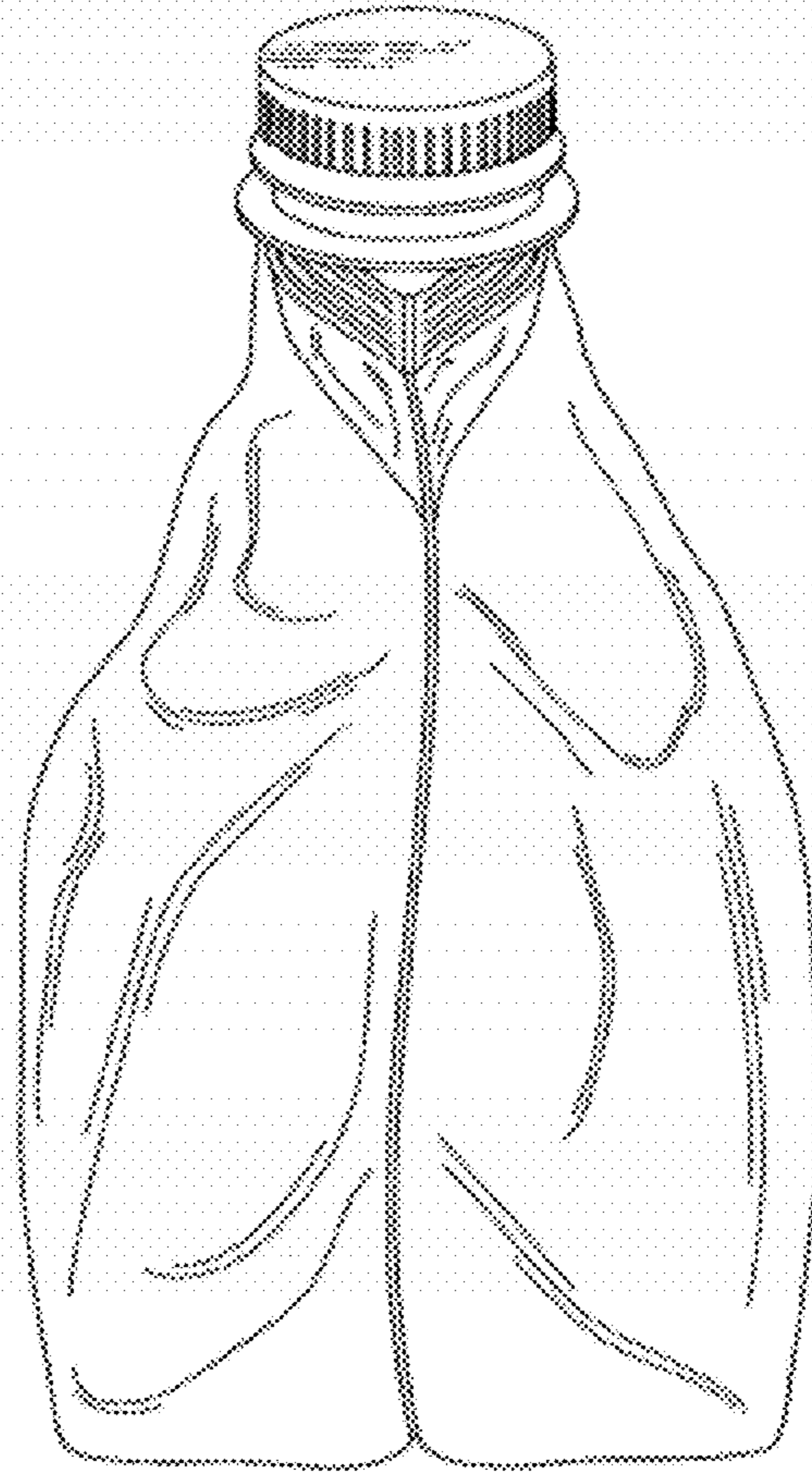


FIGURE 8

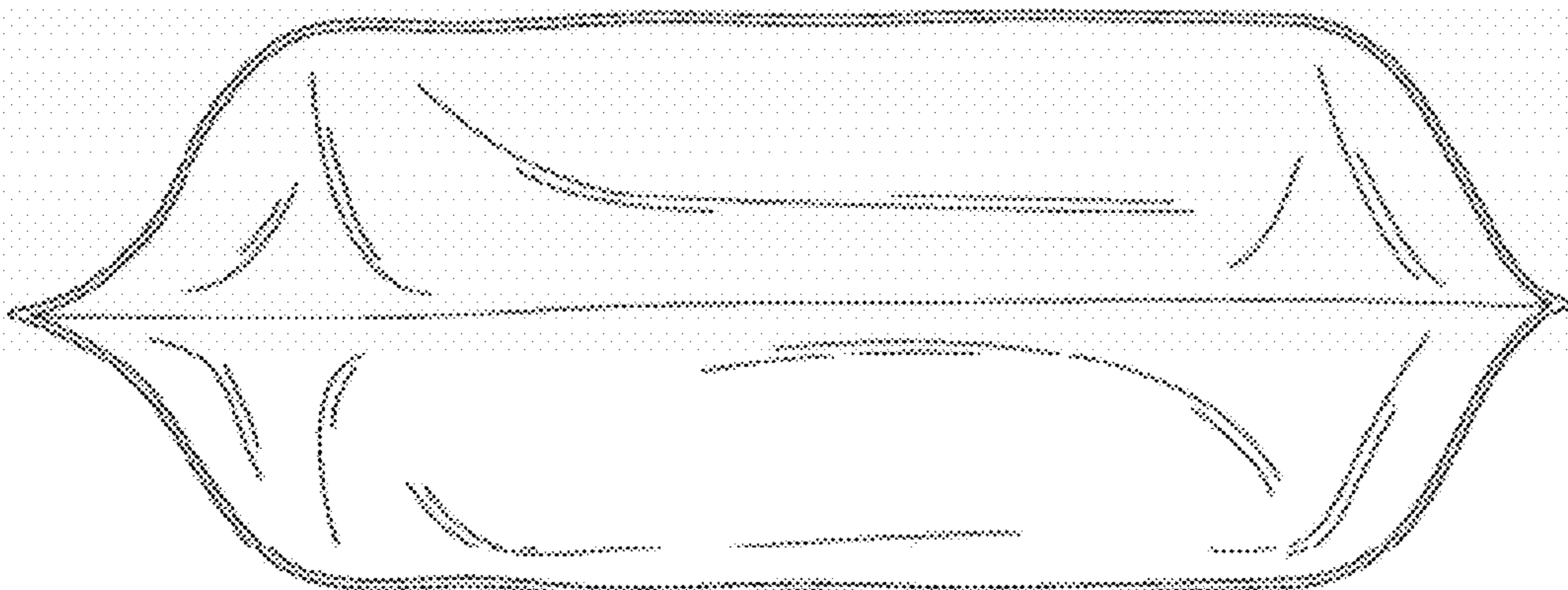


FIGURE 9