

US00D671839S

(12) **United States Design Patent**
Risgalla

(10) **Patent No.:** **US D671,839 S**
(45) **Date of Patent:** **** Dec. 4, 2012**

(54) **PACKAGING**

(75) Inventor: **Eric Risgalla**, Monaco (MC)

(73) Assignee: **Pepup SA**, Geneva (CH)

(**) Term: **14 Years**

(21) Appl. No.: **29/420,034**

(22) Filed: **May 3, 2012**

Related U.S. Application Data

(62) Division of application No. 29/370,947, filed on Sep. 24, 2010, now Pat. No. Des. 667,312.

(30) **Foreign Application Priority Data**

Mar. 26, 2010 (WO) DM/073 374

Apr. 14, 2010 (WO) DM/073 433

(51) **LOC (9) Cl.** **09-05**

(52) **U.S. Cl.** **D9/705**

(58) **Field of Classification Search** D9/702-714,
D9/522, 440, 443-444, 430-433, 435, 447;
383/61.1, 80-81, 103-104, 901, 108, 119,
383/201, 205, 107, 114, 207, 209; 222/92,
222/107, 215, 81, 96, 527; D7/317, 321;
D24/118, 121, 207, 115; 206/822, 811, 229,
206/484

See application file for complete search history.

(56) **References Cited**

U.S. PATENT DOCUMENTS

D435,440 S * 12/2000 Croft et al. D9/696
D509,751 S * 9/2005 Risgalla D9/707
D525,144 S * 7/2006 Risgalla D9/707
D573,037 S * 7/2008 Murray D9/710

D580,782 S * 11/2008 Murray D9/707
D584,168 S * 1/2009 Murray D9/710
D594,752 S * 6/2009 Medema et al. D9/707
D606,882 S * 12/2009 Sharp et al. D9/707
7,658,542 B2 2/2010 Risgalla
D619,018 S * 7/2010 Karay et al. D9/702
D642,933 S * 8/2011 Schroeder et al. D9/710
2009/0003737 A1 1/2009 Risgalla
2010/0008602 A1 1/2010 Risgalla

FOREIGN PATENT DOCUMENTS

CH 129556 6/2003
CH 129692 8/2003
CH 130092 12/2003
CH 130670 7/2004
CH 132118 10/2005

* cited by examiner

Primary Examiner — Caron D Veynar

Assistant Examiner — Abraham Bahta

(74) *Attorney, Agent, or Firm* — Faegre Baker Daniels LLP

(57) **CLAIM**

The ornamental design for packaging, as shown and described.

DESCRIPTION

FIG. 1 is a perspective view of a first side of a double gusseted version of the packaging;

FIG. 2 shows a perspective view of a second side of the double gusseted version of the packaging;

FIG. 3 shows a plan view of the second side of the packaging;

FIG. 4 shows a plan view of the first side of the packaging;

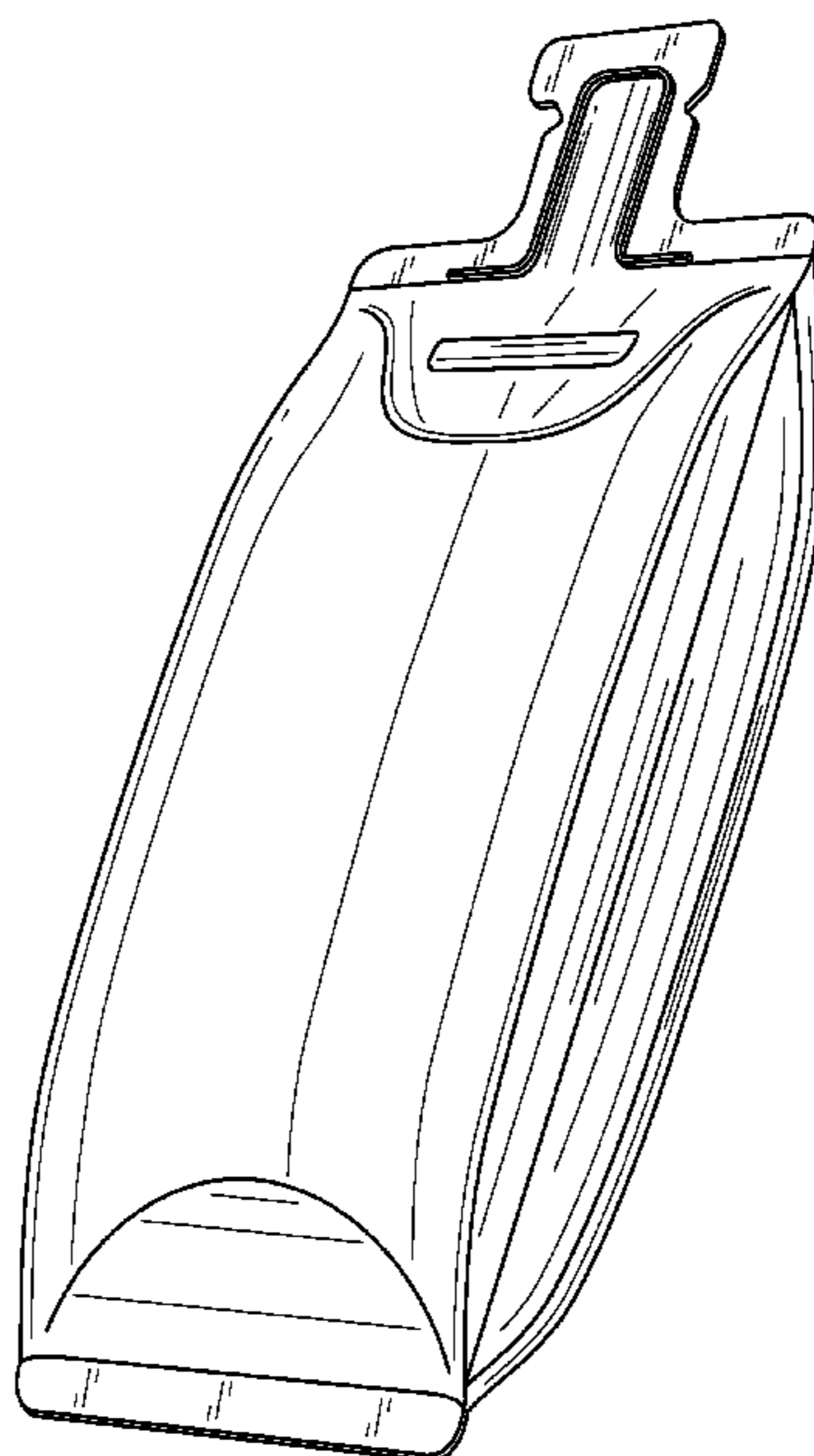
FIG. 5 shows a first side view of the packaging;

FIG. 6 shows a second view of the packaging;

FIG. 7 shows a bottom end view of the packaging; and,

FIG. 8 shows a top end view of the packaging.

1 Claim, 6 Drawing Sheets



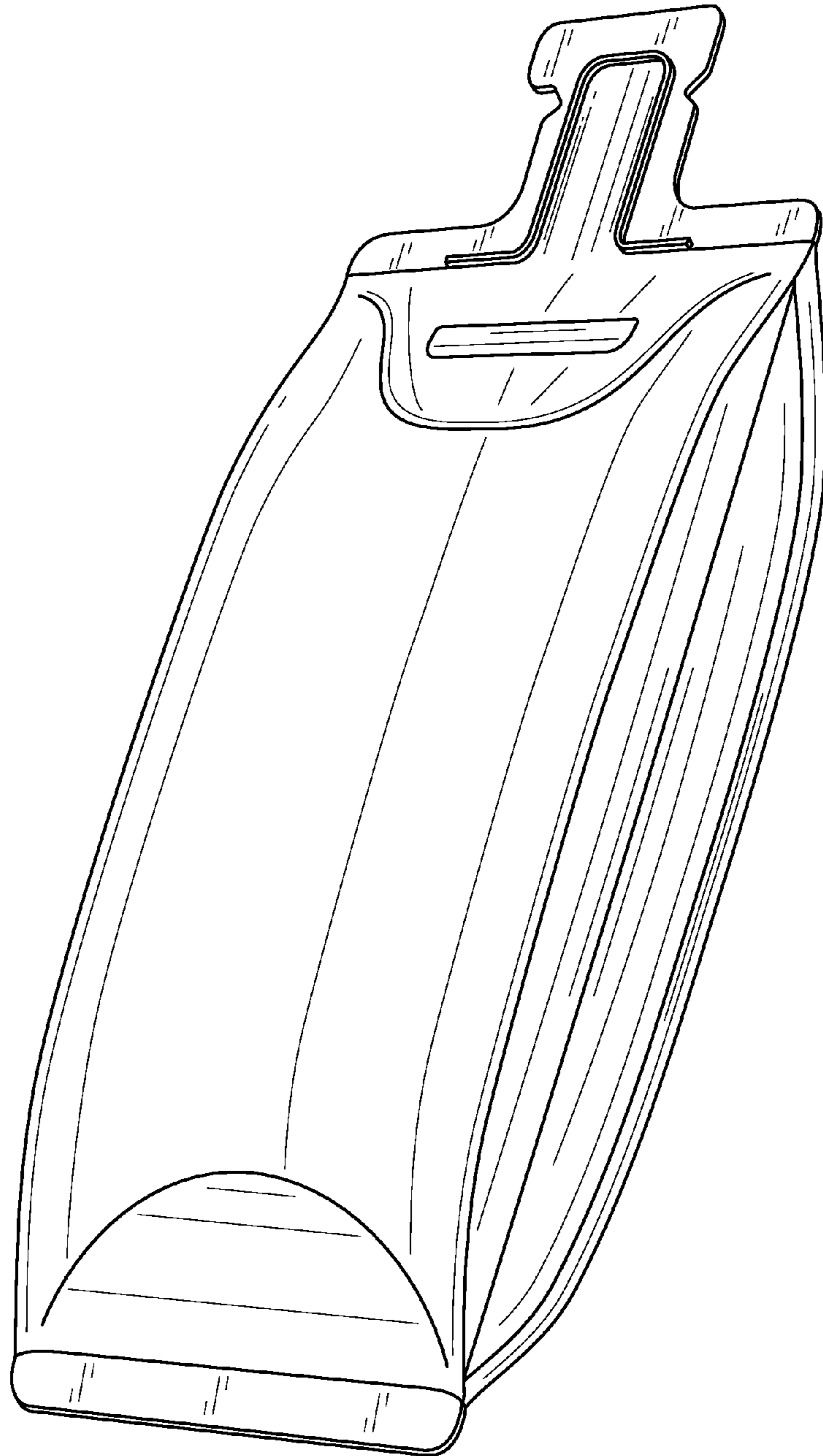


FIG. 1

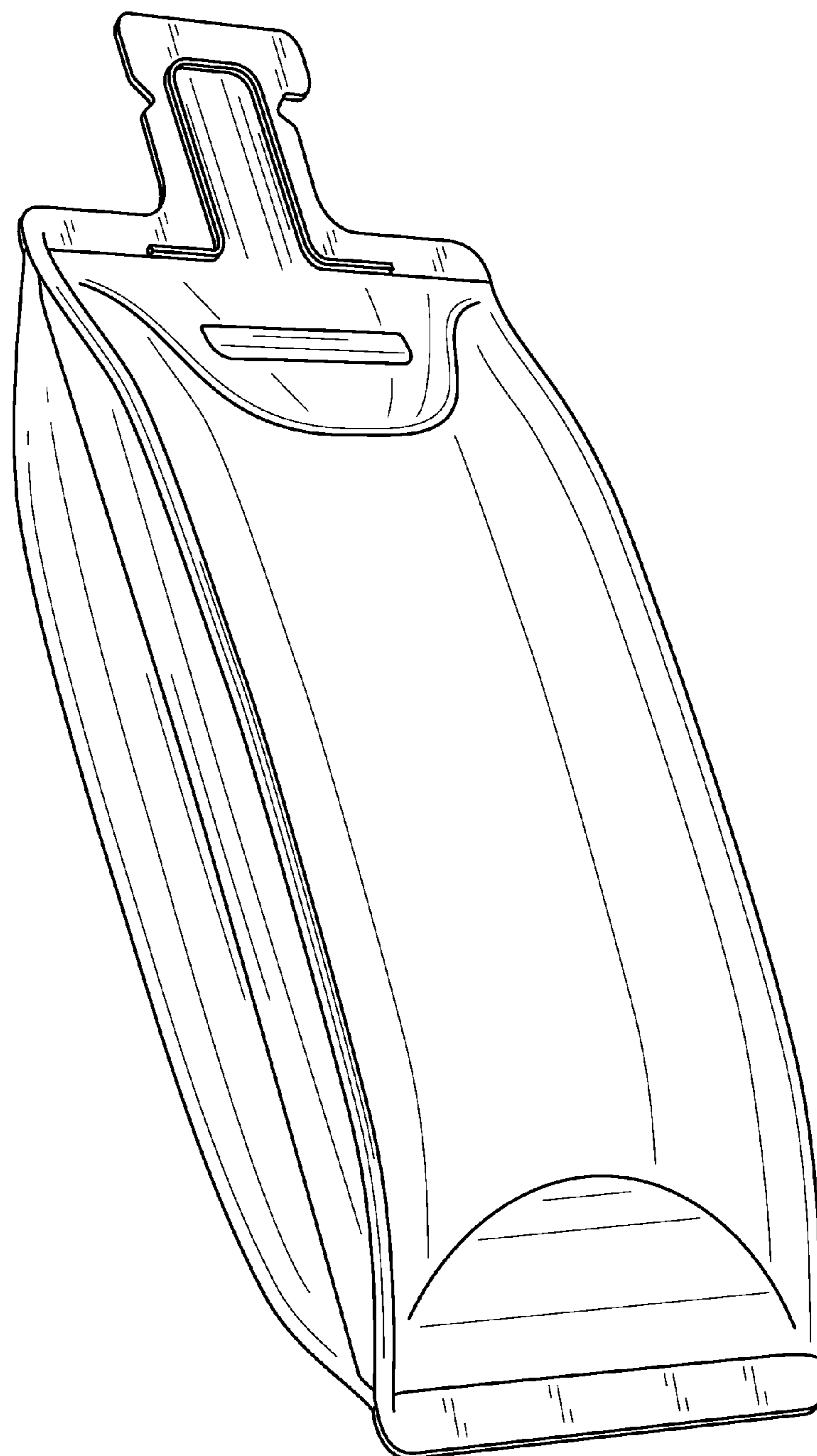


FIG. 2

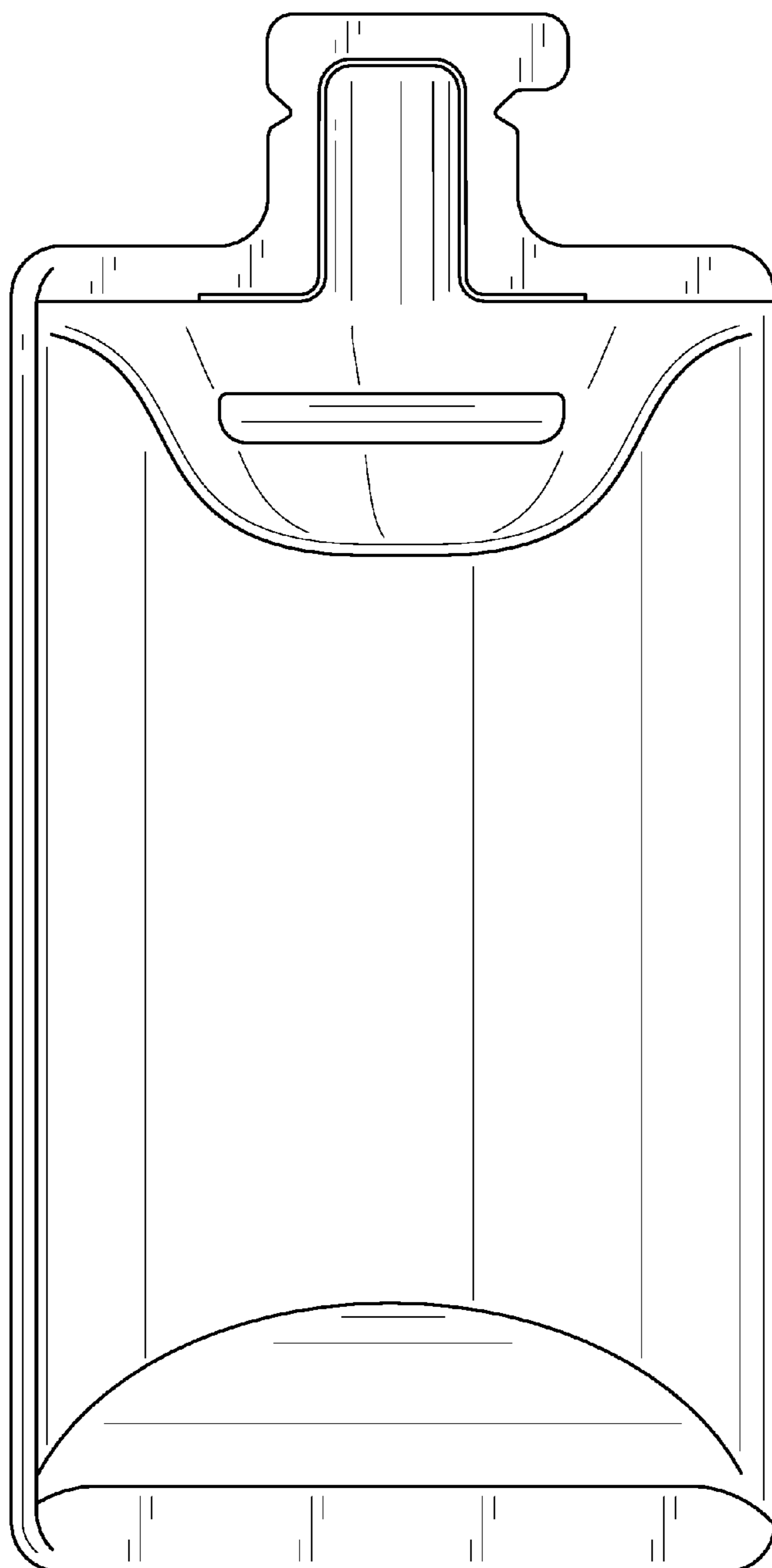


FIG. 3

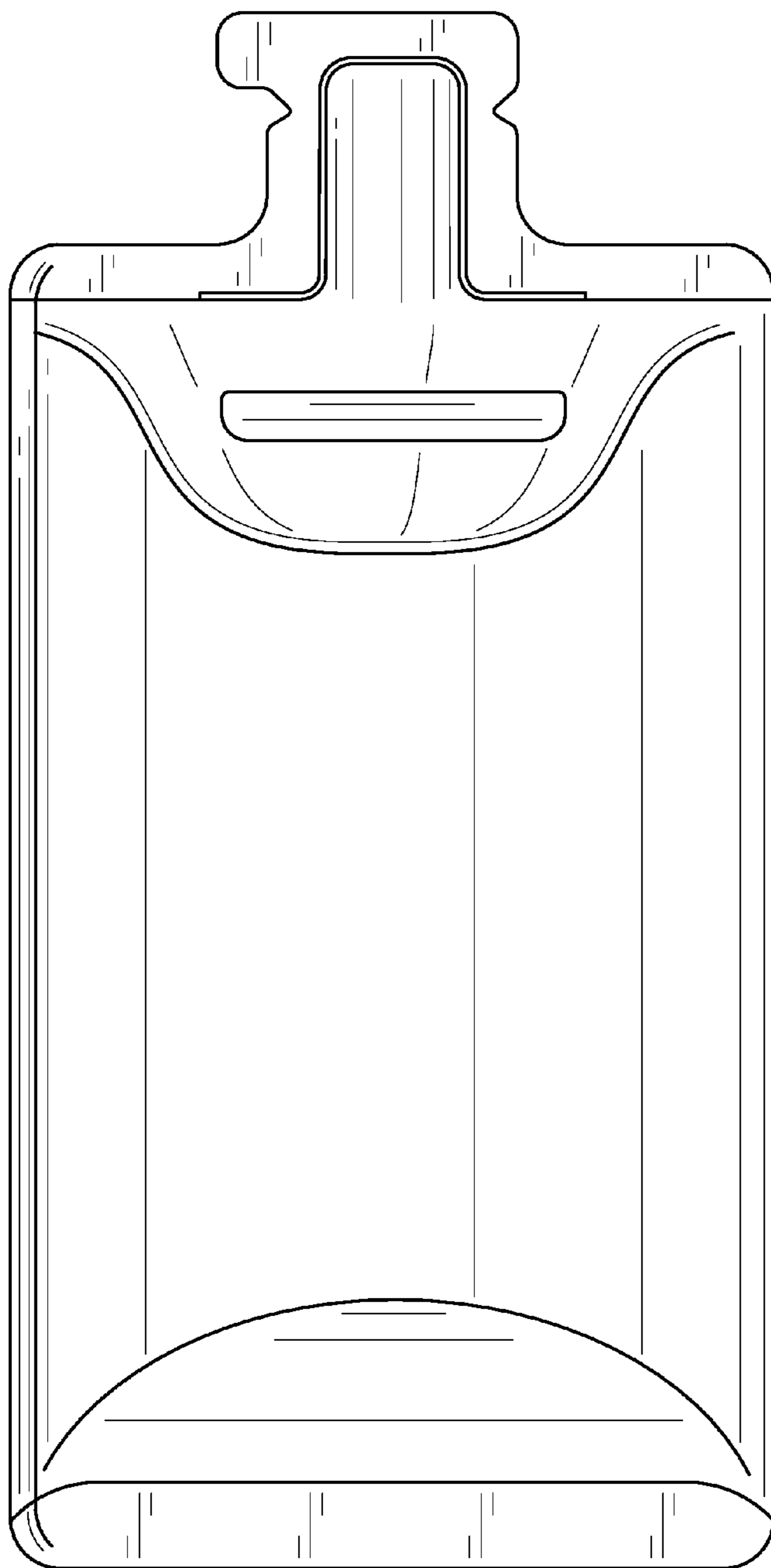


FIG. 4



FIG. 5

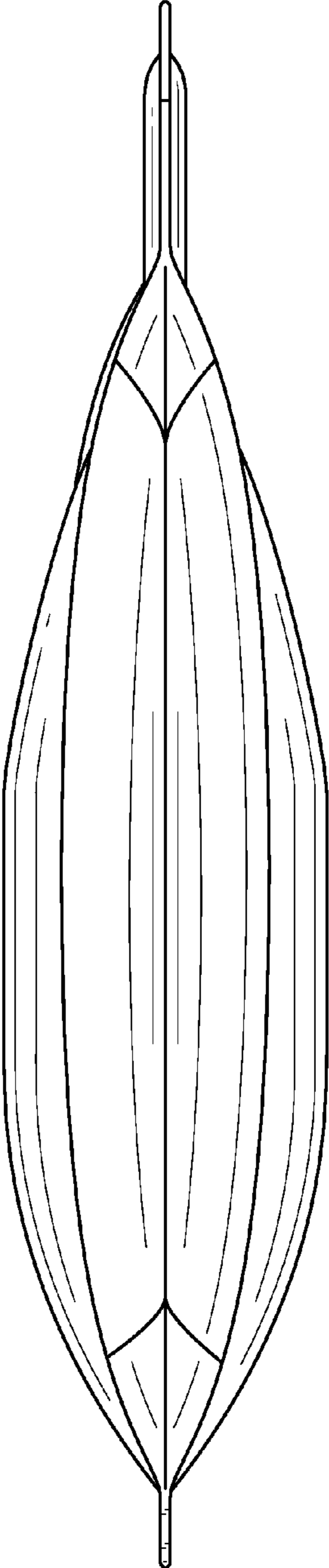


FIG. 6

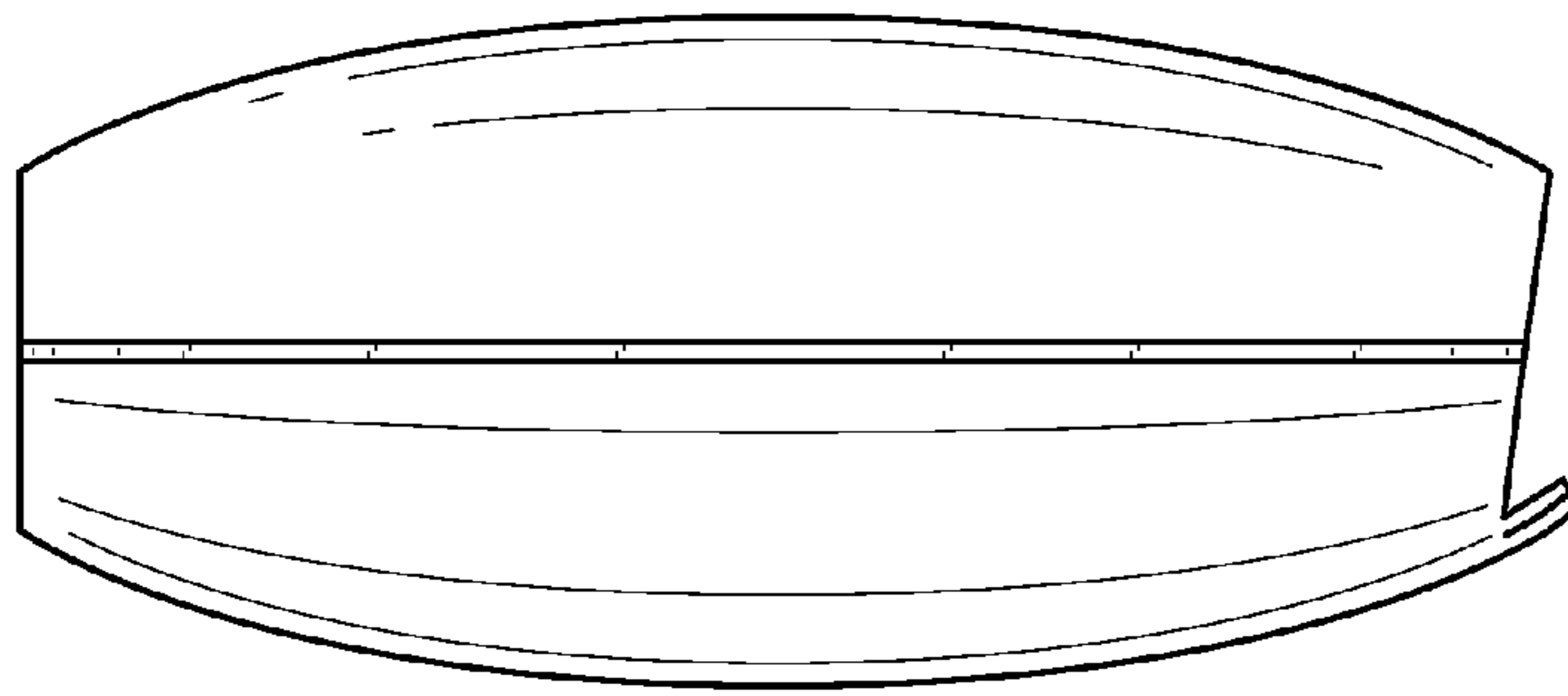


FIG. 7

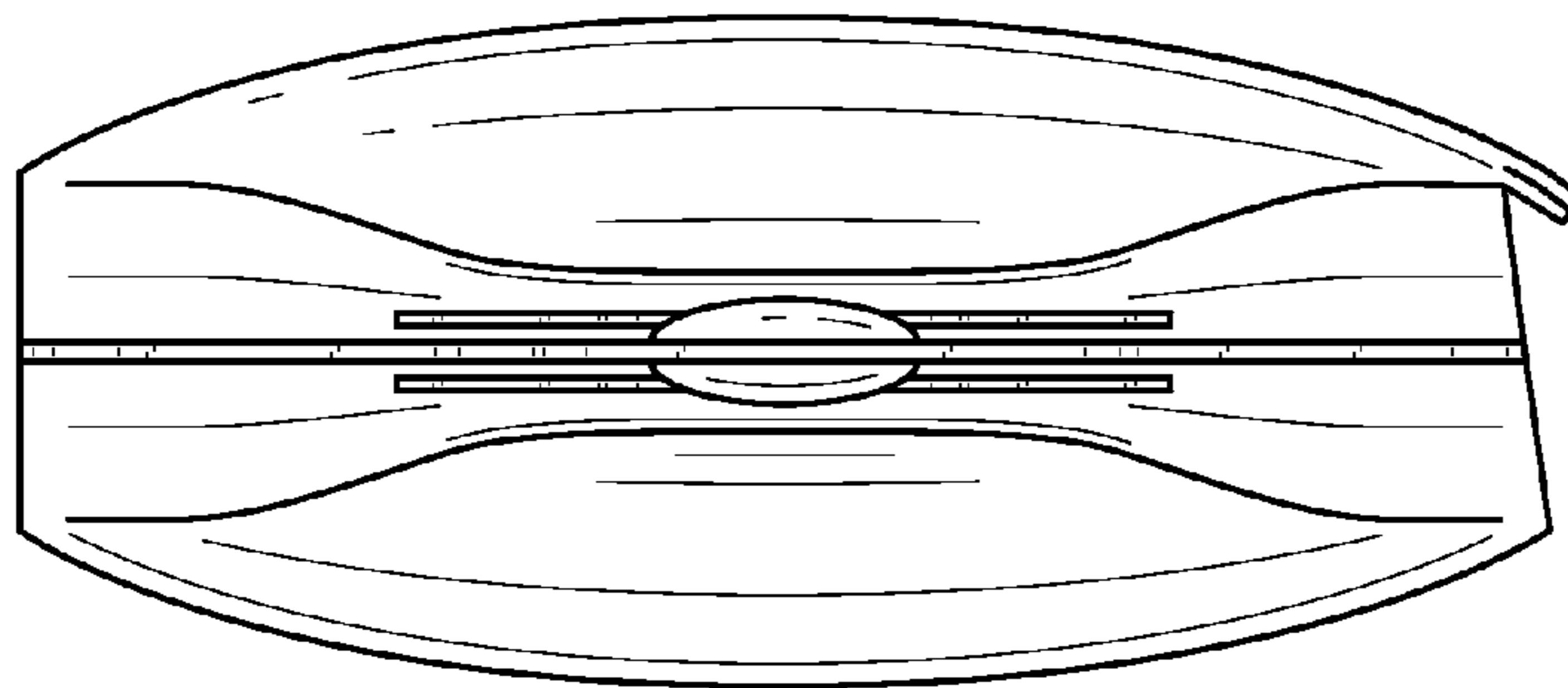


FIG. 8