



US00D671835S

(12) **United States Design Patent**
Peñafiel Saez

(10) **Patent No.:** **US D671,835 S**
(45) **Date of Patent:** **** Dec. 4, 2012**

(54) **BOTTLE**

(75) Inventor: **Nicolás Peñafiel Saez**, Bilbao (ES)

(73) Assignee: **El Cantillo S.A.**, Briones (La Rioja)
(ES)

(**) Term: **14 Years**

(21) Appl. No.: **29/394,735**

(22) Filed: **Jun. 21, 2011**

(30) **Foreign Application Priority Data**

Dec. 21, 2010 (EM) K001796350

(51) **LOC (9) Cl.** **09-01**

(52) **U.S. Cl.** **D9/500**

(58) **Field of Classification Search** D9/500,
D9/502-505, 516, 544-546, 549, 575, 682,
D9/686-692, 537-538, 540, 737, 745, 550;
215/379, 381-382; 220/360, 662, 669, 675
See application file for complete search history.

(56) **References Cited**

U.S. PATENT DOCUMENTS

D93,940 S * 11/1934 McManus D9/500
D99,430 S * 4/1936 Chase D9/772
D113,416 S * 2/1939 Barrett D9/500
3,243,069 A * 3/1966 Duerme 215/11.1
D223,899 S * 6/1972 Zundel D9/503

4,356,935 A * 11/1982 Kamin 222/1
D273,364 S * 4/1984 Jalutkewicz et al. D9/764
D286,857 S * 11/1986 Murukurthy D9/764
D287,337 S * 12/1986 Nickel D9/500
D287,338 S * 12/1986 Biesecker D9/500
D293,889 S * 1/1988 Proctor D9/764
D509,433 S * 9/2005 Trayser et al. D9/501
D573,024 S * 7/2008 Delbon D9/500

FOREIGN PATENT DOCUMENTS

WO DM/063342 * 4/2003
WO DM/074147 * 8/2010

* cited by examiner

Primary Examiner — Dana L Meyrow

(74) *Attorney, Agent, or Firm* — Browdy and Neimark,
PLLC

(57) **CLAIM**

The ornamental design for a bottle, as shown and described.

DESCRIPTION

FIG. 1 is a top perspective view of a bottle according to the present design;

FIG. 2 is a bottom perspective view thereof, shown at a reduced scale;

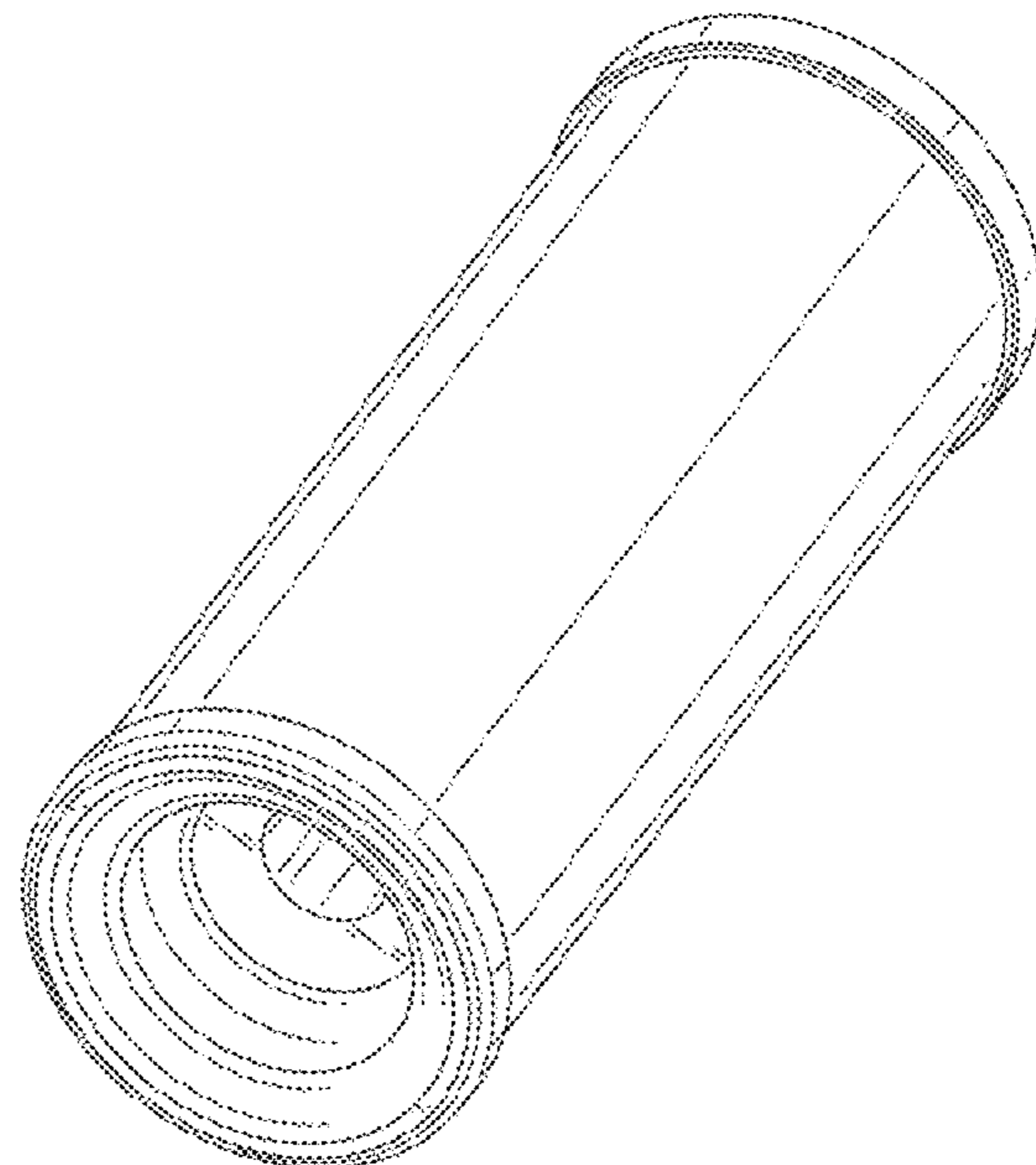
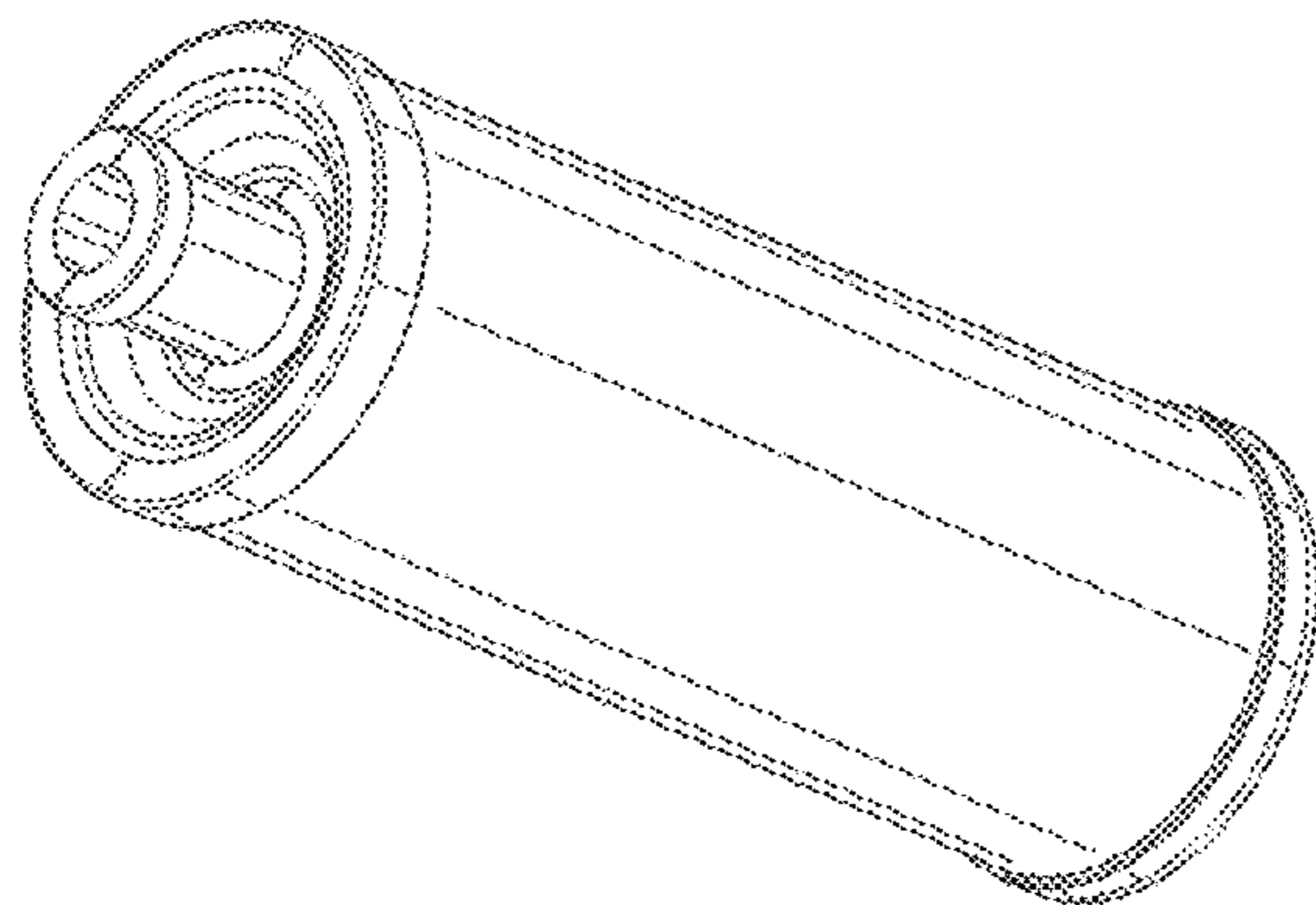
FIG. 3 is top perspective view thereof;

FIG. 4 is a side elevation view thereof;

FIG. 5 is a top plan view thereof, shown at an enlarged scale; and,

FIG. 6 is a bottom plan view thereof.

1 Claim, 6 Drawing Sheets



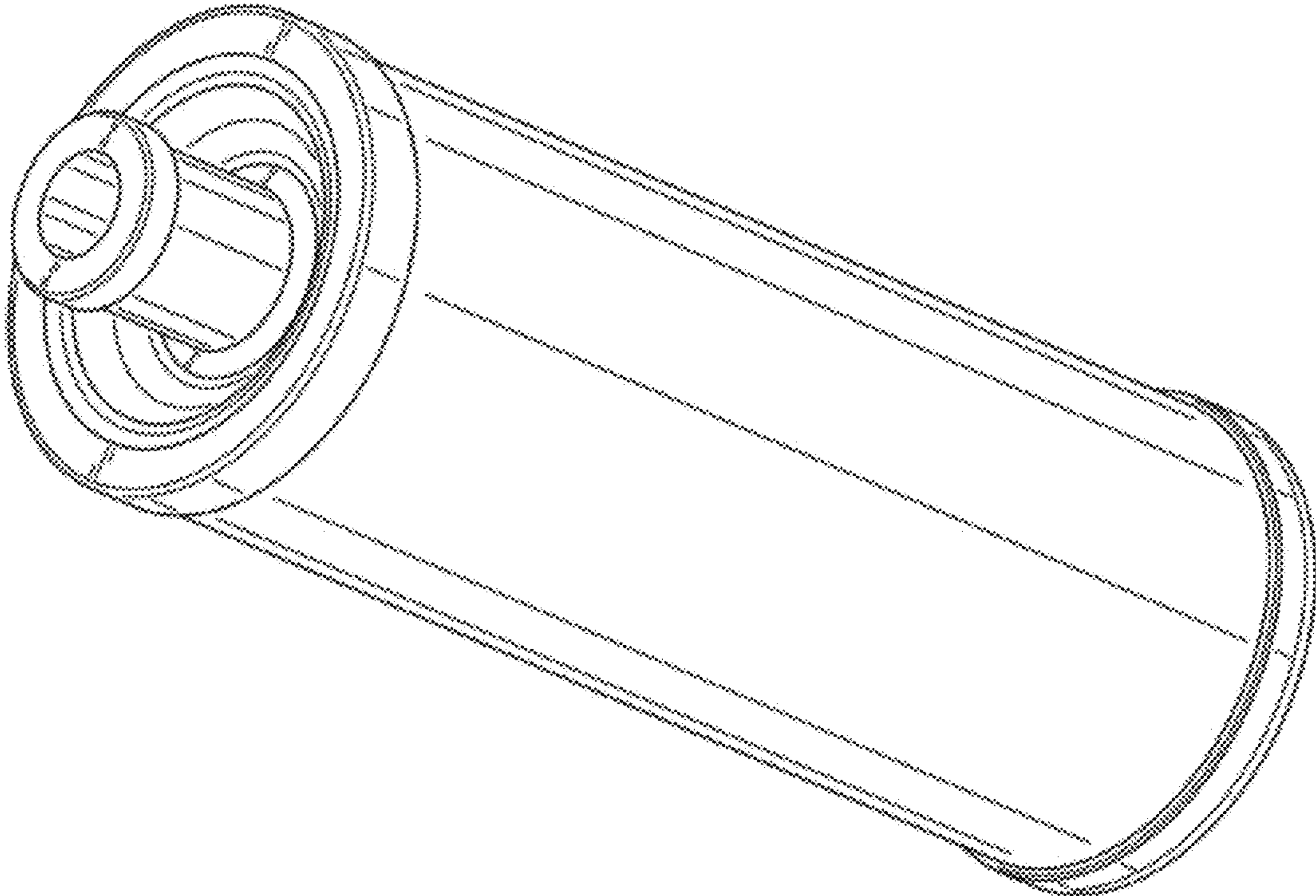


FIG. 1

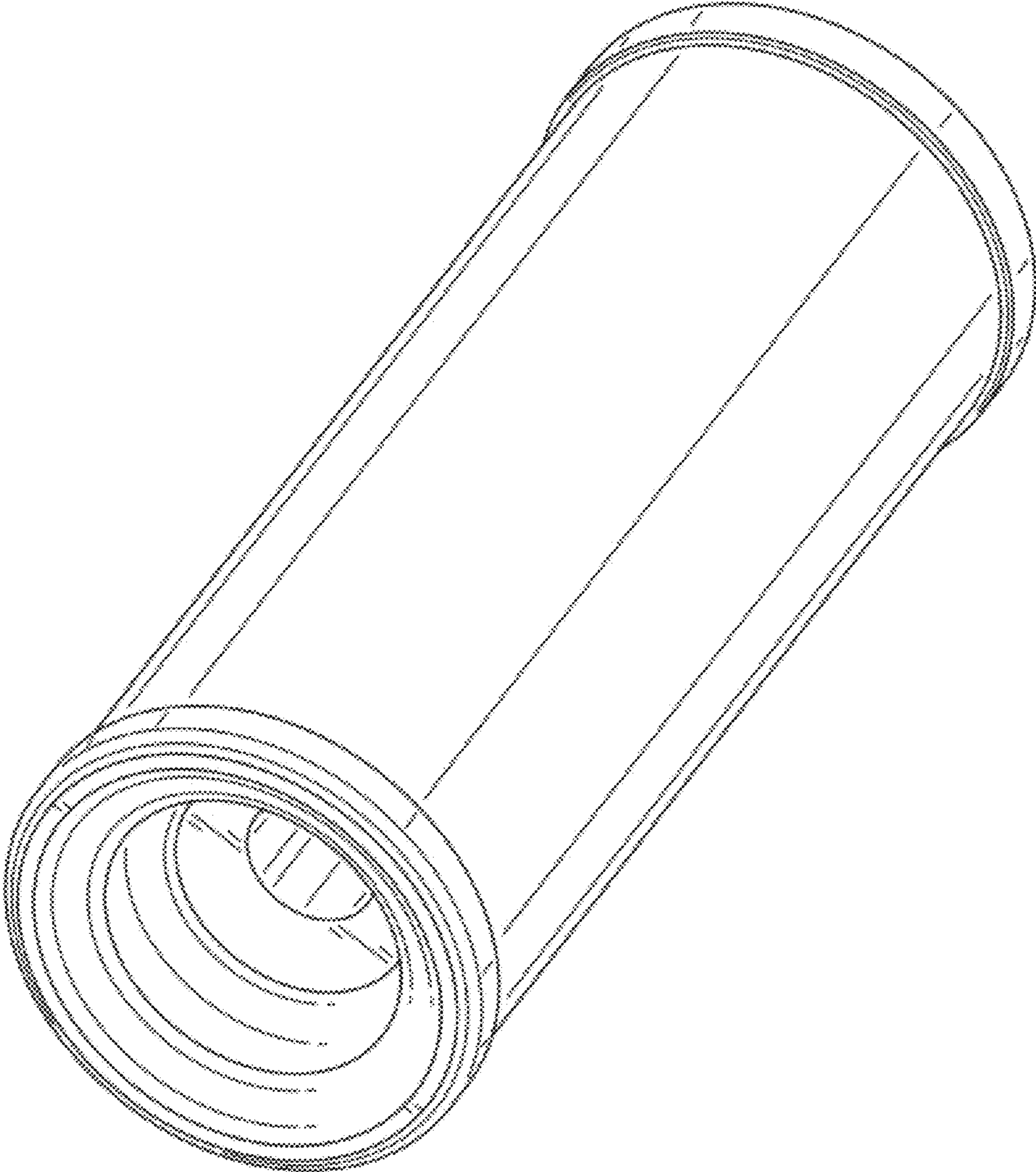


FIG. 2

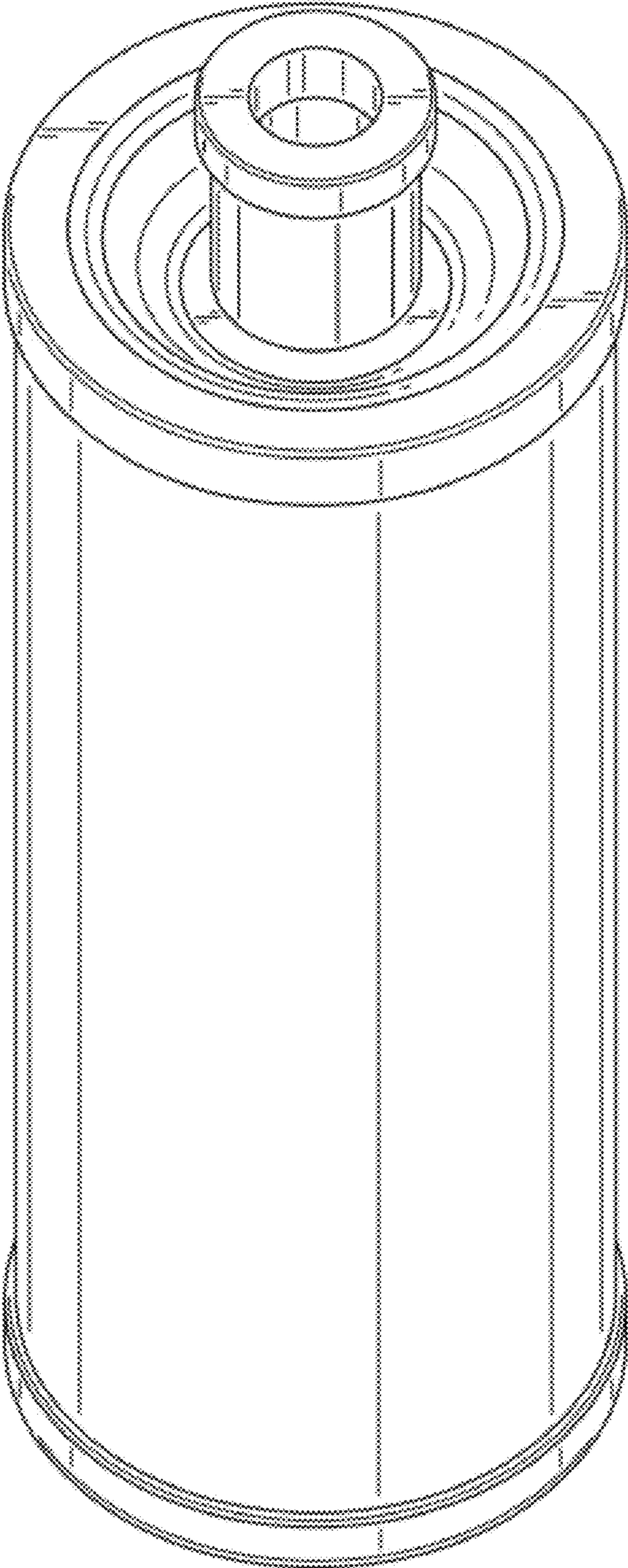


FIG. 3

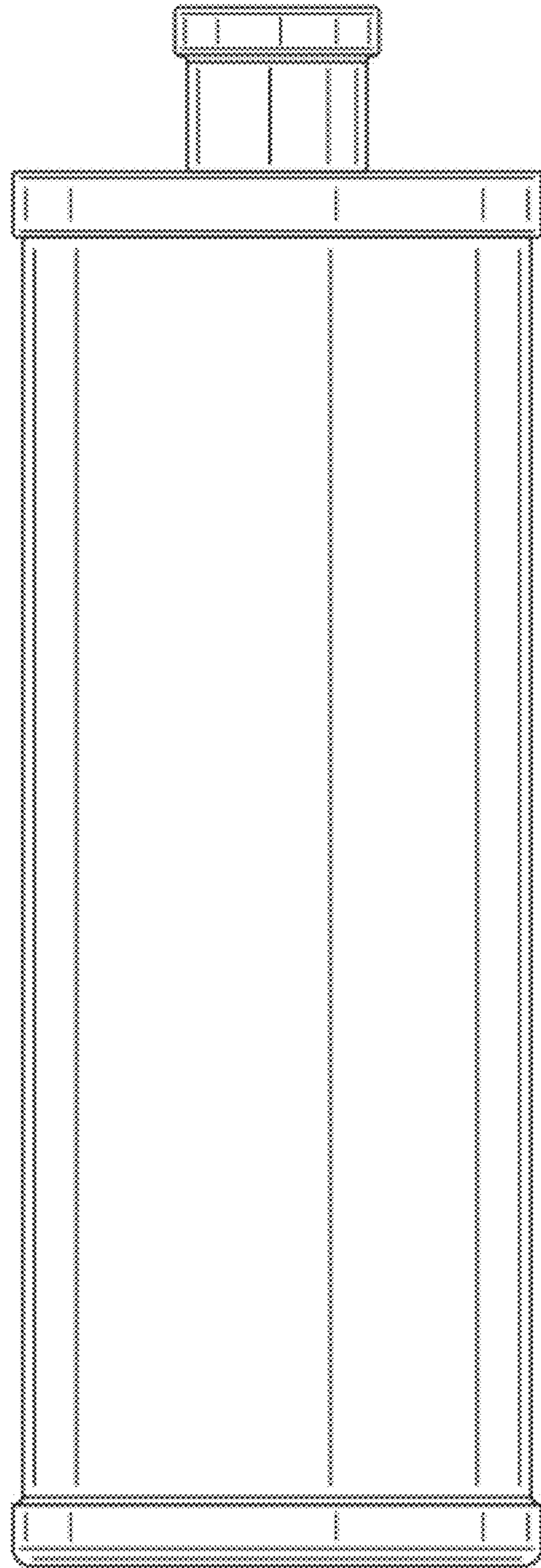


FIG. 4

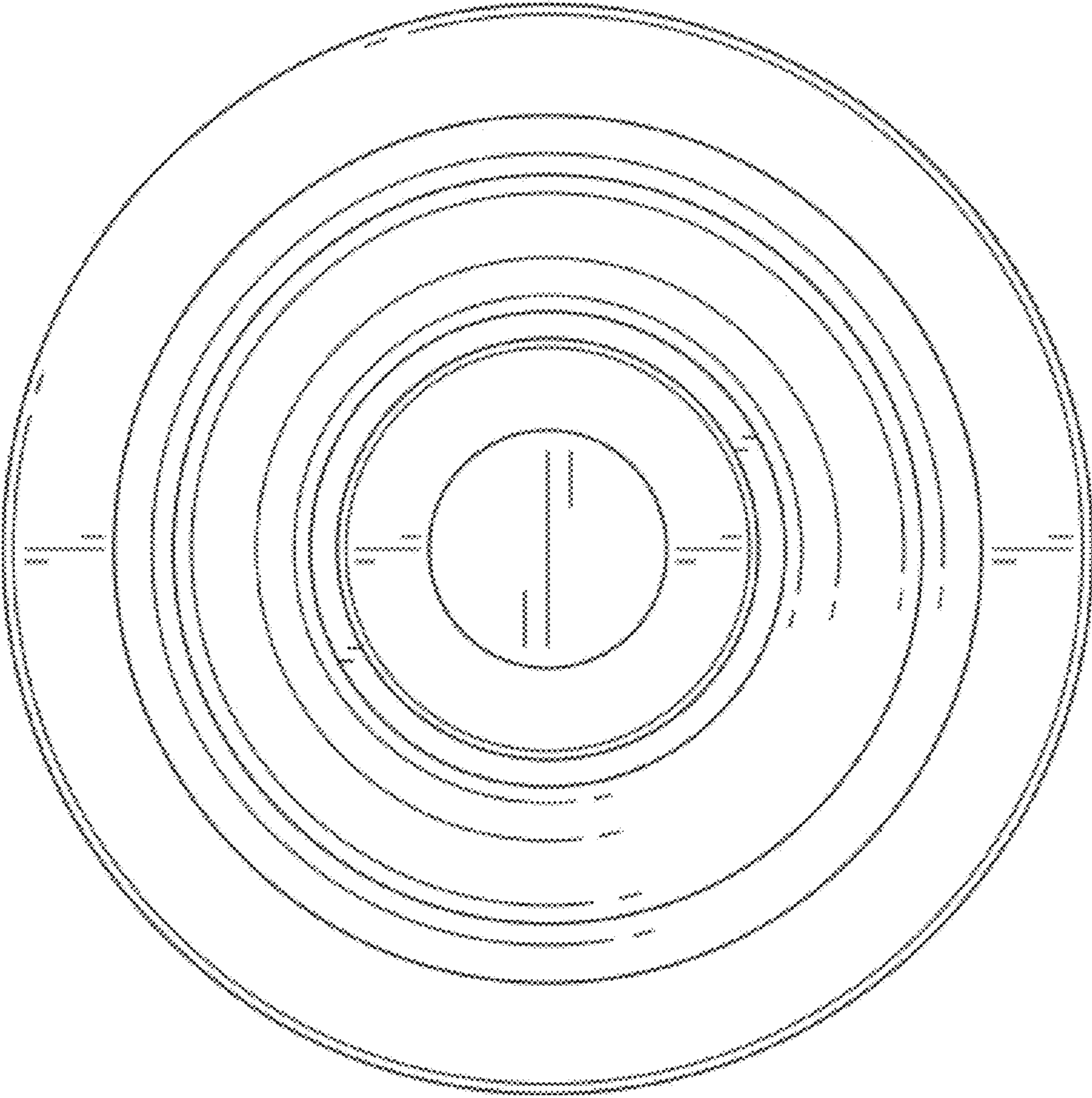


FIG. 5

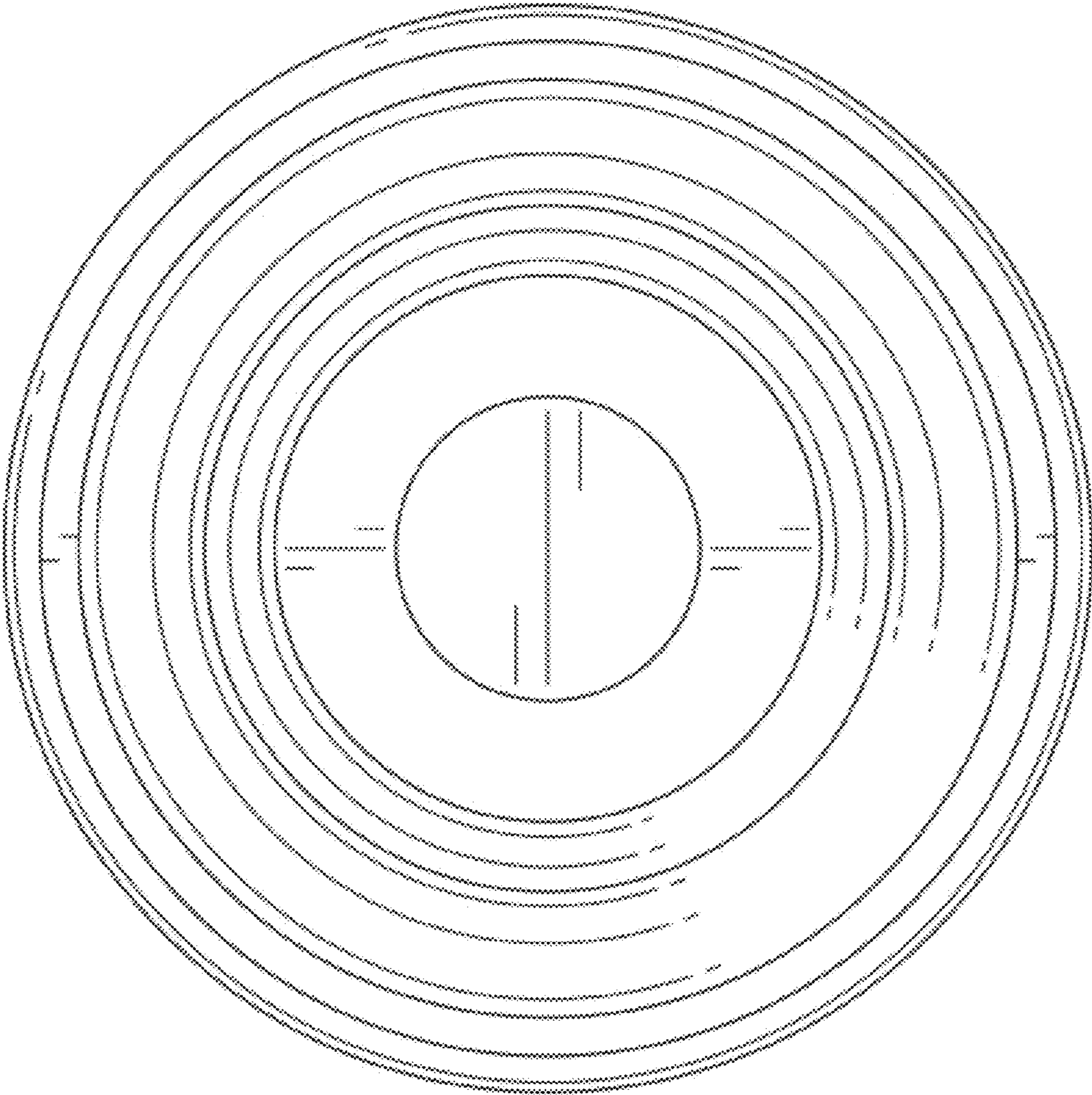


FIG. 6