



US00D671833S

(12) **United States Design Patent**
Raimer et al.

(10) **Patent No.:** **US D671,833 S**

(45) **Date of Patent:** **** Dec. 4, 2012**

(54) **PACKAGING END CAP**

(75) Inventors: **George E. Raimer**, Saranac, MI (US);
Matthew D. Hansen, Rockford, MI
(US); **David H. Bult**, Jenison, MI (US)

(73) Assignee: **Display Pack, Inc.**, Grand Rapids, MI
(US)

(**) Term: **14 Years**

(21) Appl. No.: **29/404,835**

(22) Filed: **Oct. 26, 2011**

(51) **LOC (9) Cl.** **09-07**

(52) **U.S. Cl.** **D9/435**

(58) **Field of Classification Search** D9/435,
D9/449, 450, 452, 453, 454, 503, 504, 529;
D7/392.1, 396.2, 505, 900; 229/5.5; 215/200,
215/226, 228, 305; 220/254.5

See application file for complete search history.

(56) **References Cited**

U.S. PATENT DOCUMENTS

7,866,536 B2 *	1/2011	Calendrille, Jr.	229/5.5
D635,025 S *	3/2011	Stolle	D9/449
D656,022 S *	3/2012	Thielman et al.	D9/435
D658,442 S *	5/2012	Mongeon et al.	D7/505
D667,300 S *	9/2012	Davis et al.	D9/435

* cited by examiner

Primary Examiner — Susan Bennett Hattan

Assistant Examiner — Barbara B Lohr

(74) *Attorney, Agent, or Firm* — Warner Norcross & Judd
LLP

(57) **CLAIM**

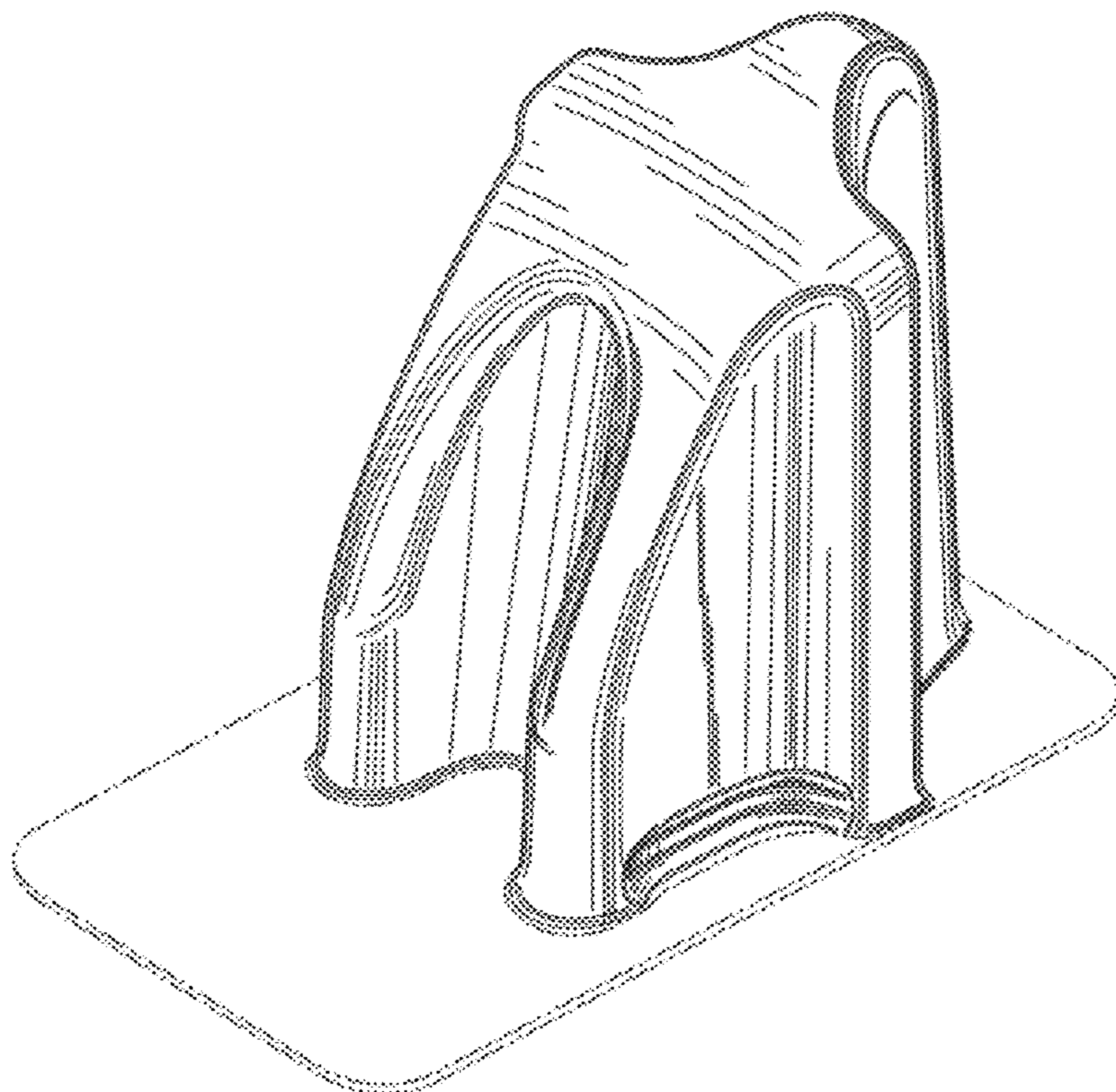
The ornamental design for a packaging end cap, as shown and described.

DESCRIPTION

FIG. 1 is a perspective view of a packaging end cap;
FIG. 2 is a left side view thereof, the right side view being a
mirror image thereof;
FIG. 3 is a rear view thereof;
FIG. 4 is a front view thereof;
FIG. 5 is a top view thereof; and,
FIG. 6 is a bottom view thereof.

The claimed design extends only to the shaded portions of the
packaging end cap. FIGS. 1-6 show portions of the packaging
end cap in broken lines. The broken line portions are shown
for environmental purposes and form no part of the claimed
design. The broken line segments immediately adjacent the
solid line portions of the design define the boundary of the
design, but do not themselves form part of the claimed design.

1 Claim, 3 Drawing Sheets



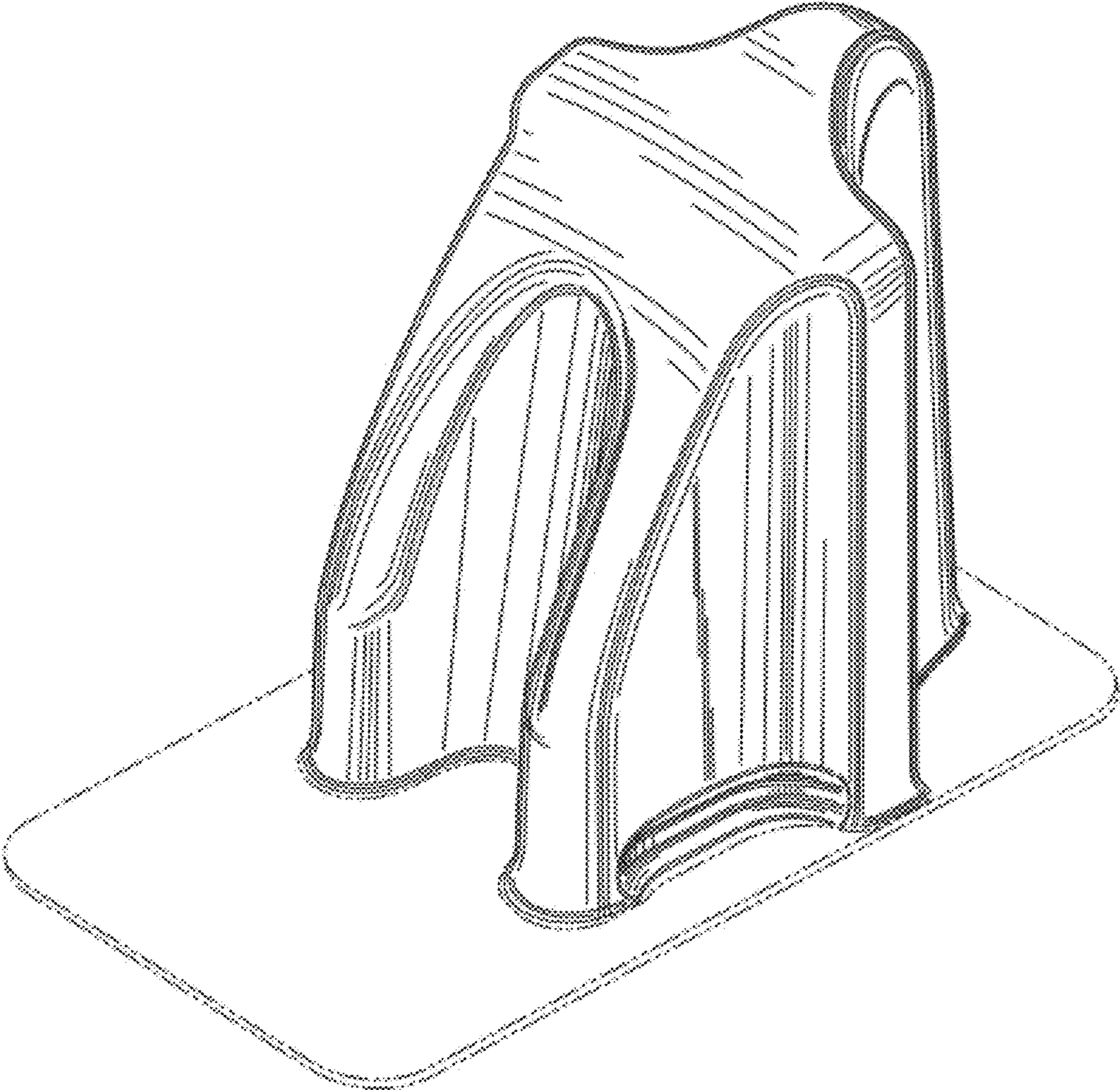


Fig. 1

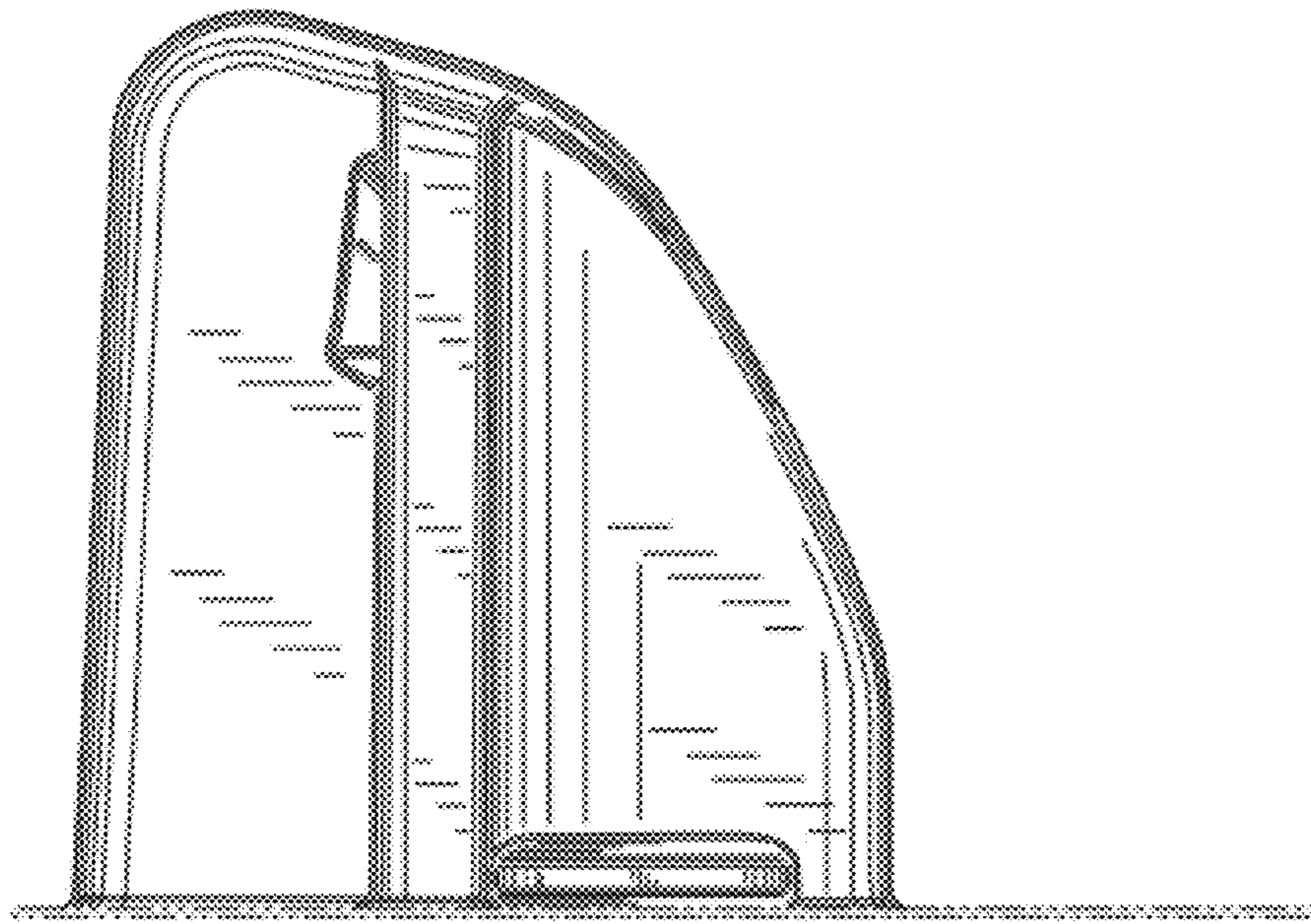


Fig. 2

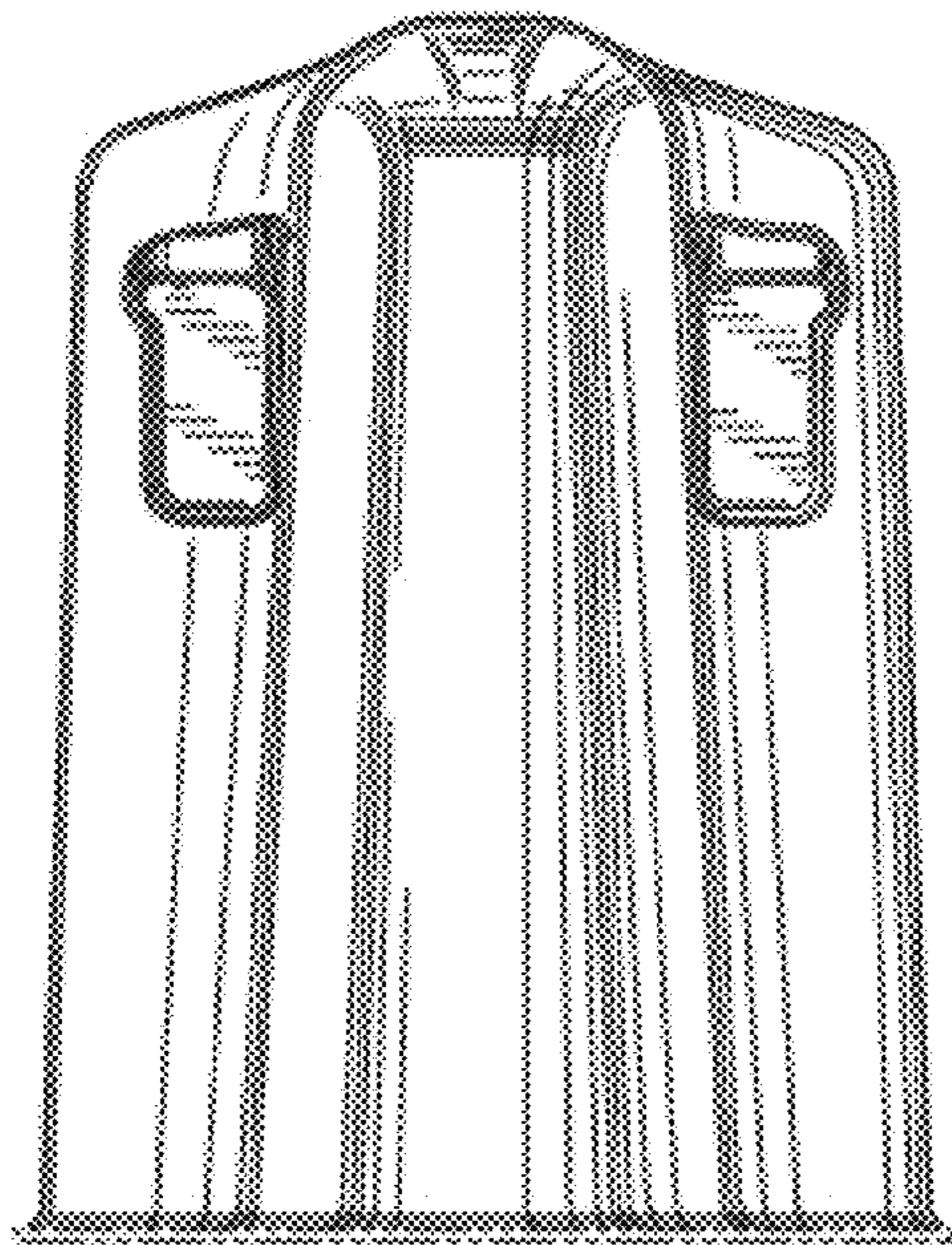


Fig. 3

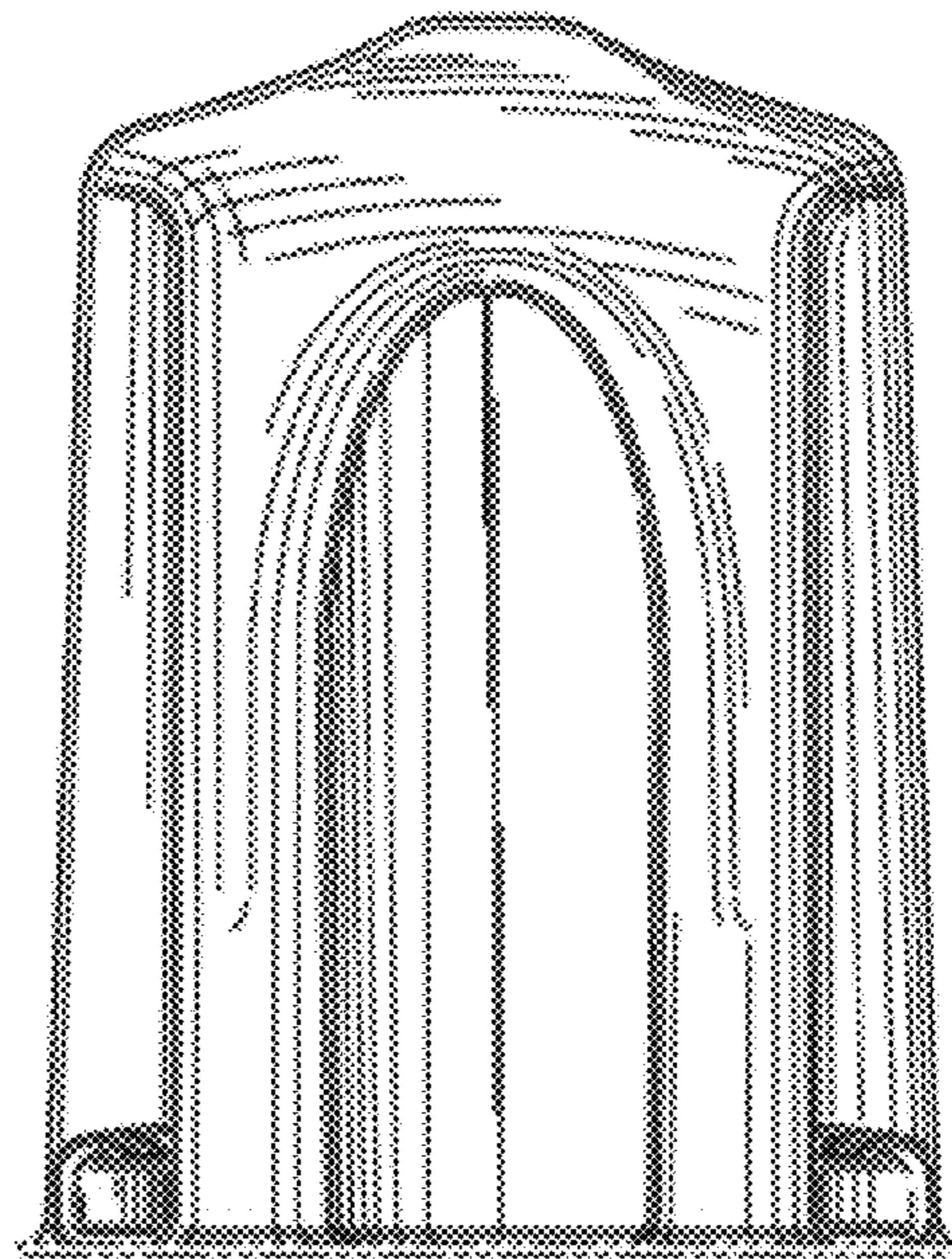


Fig. 4

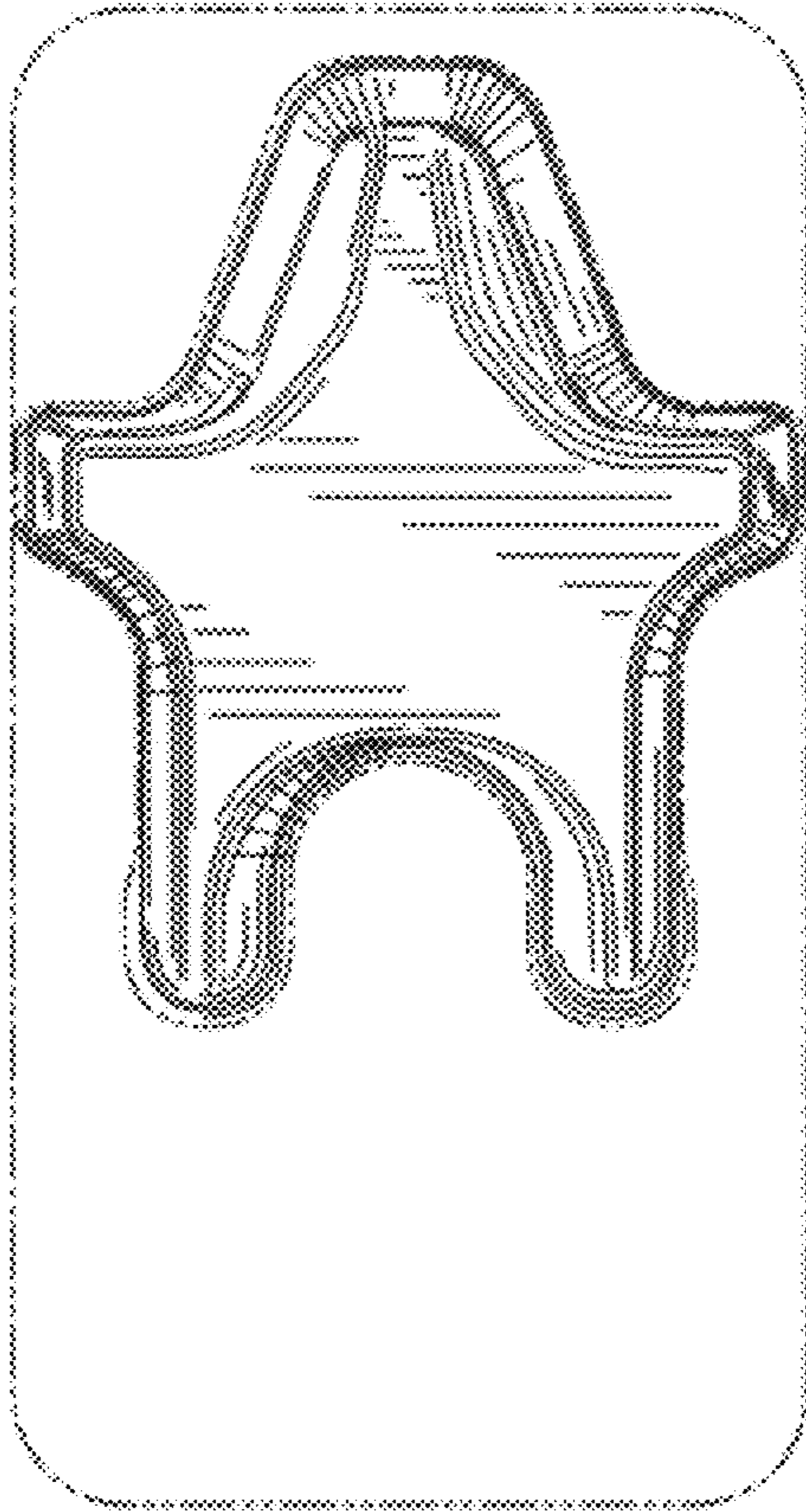


Fig. 5

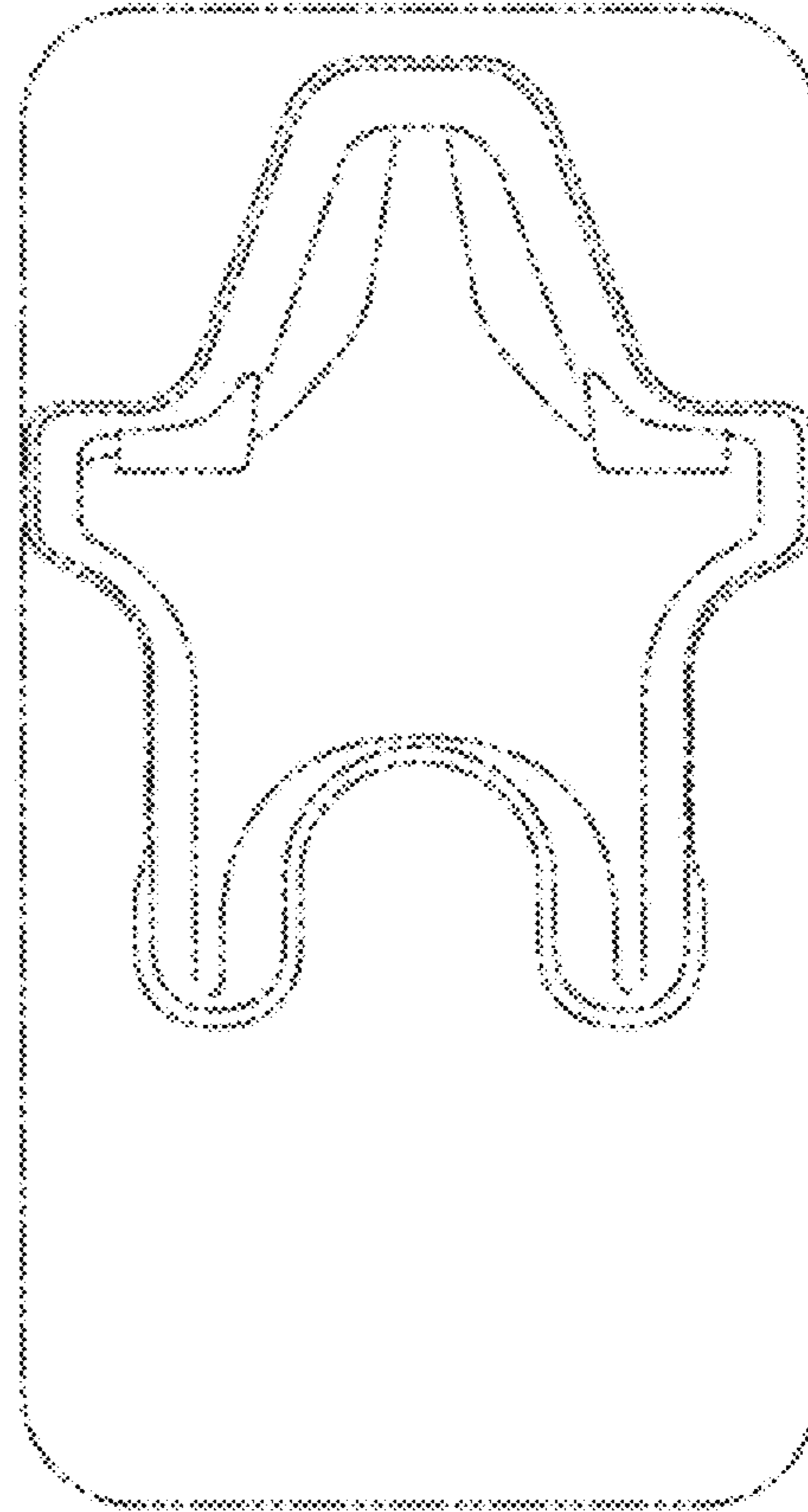


Fig. 6