



US00D671832S

(12) **United States Design Patent**
Rutherford

(10) **Patent No.:** **US D671,832 S**

(45) **Date of Patent:** **** Dec. 4, 2012**

(54) **FASTENER CONTAINER**

(76) **Inventor:** **Vanessa Rutherford**, Long Beach, CA
(US)

(**) **Term:** **14 Years**

(21) **Appl. No.:** **29/396,402**

(22) **Filed:** **Jun. 29, 2011**

(51) **LOC (9) Cl.** **09-03**

(52) **U.S. Cl.** **D9/433; D9/418; D9/430**

(58) **Field of Classification Search** D9/414,
D9/417, 420, 430, 431, 432, 433, 499; D3/272;
206/223, 784, 1.5, 524.1, 525, 527; 229/100,
229/124, 125.37, 126, 800; D7/392, 397,
D7/504, 601; 220/62, 890
See application file for complete search history.

(56) **References Cited**

U.S. PATENT DOCUMENTS

879,488	A *	2/1908	Pitkin	229/112
1,669,139	A *	5/1928	Martin	229/125.37
1,889,985	A *	12/1932	Hays	229/115
D91,023	S *	11/1933	Ellsworth	D9/431
2,419,510	A *	4/1947	Van Rosen	229/115
4,011,942	A *	3/1977	Crosslen	206/777
5,375,713	A *	12/1994	Horvat et al.	206/418
D376,501	S *	12/1996	Spaseska	D6/518
D494,859	S *	8/2004	Keberlein	D9/416
D506,133	S *	6/2005	Goodfellow et al.	D9/433
D534,022	S *	12/2006	Sab	D6/518

D534,387	S *	1/2007	Sab	D6/518
D553,492	S *	10/2007	Rokov	D9/431
D560,493	S *	1/2008	Katsuyama	D9/431
D562,679	S *	2/2008	Katsuyama	D9/431
D629,684	S *	12/2010	Drury	D9/433
2003/0102243	A1 *	6/2003	Sab	206/494

* cited by examiner

Primary Examiner — Thomas Johannes

(74) *Attorney, Agent, or Firm* — Lando & Anastasi, LLP

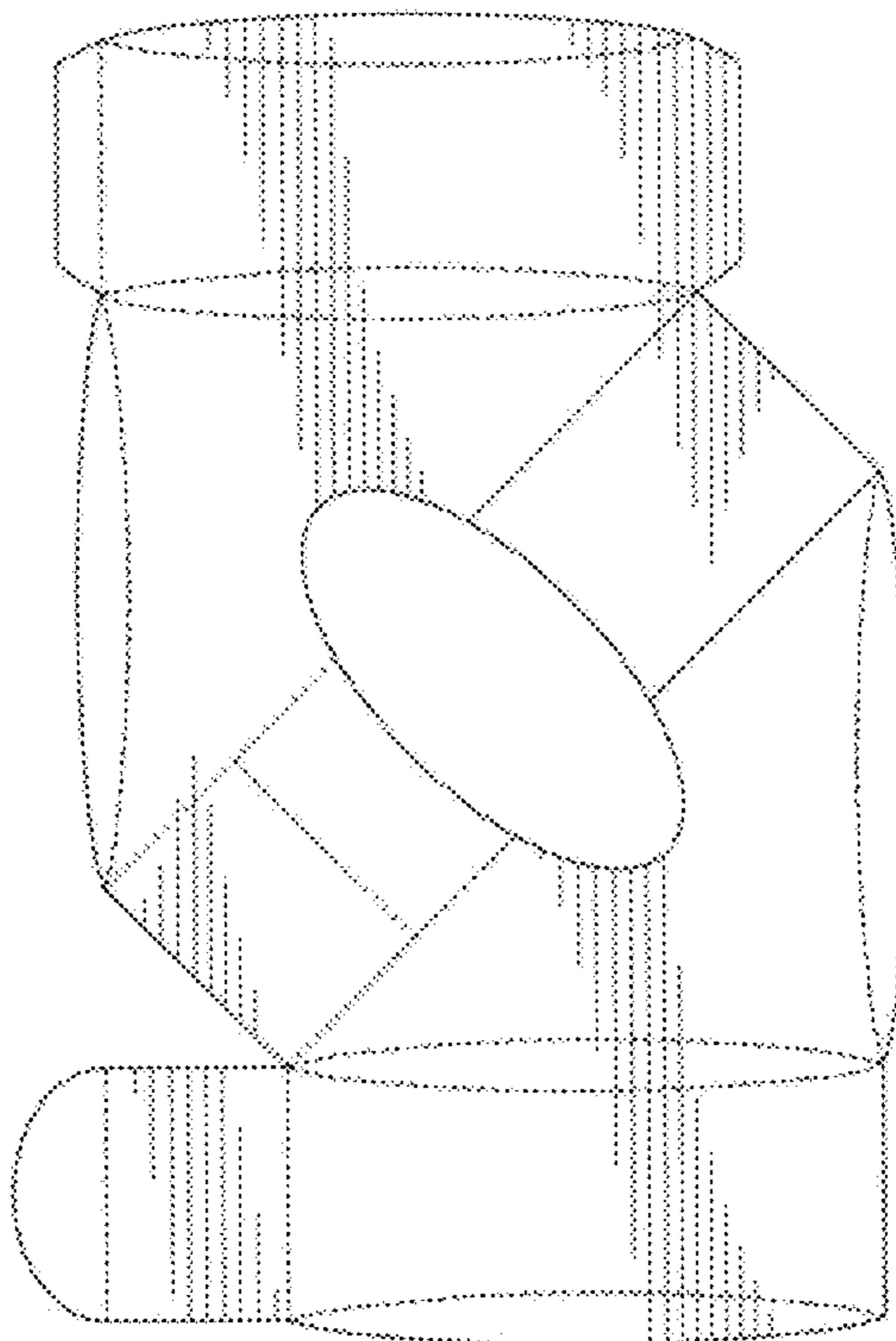
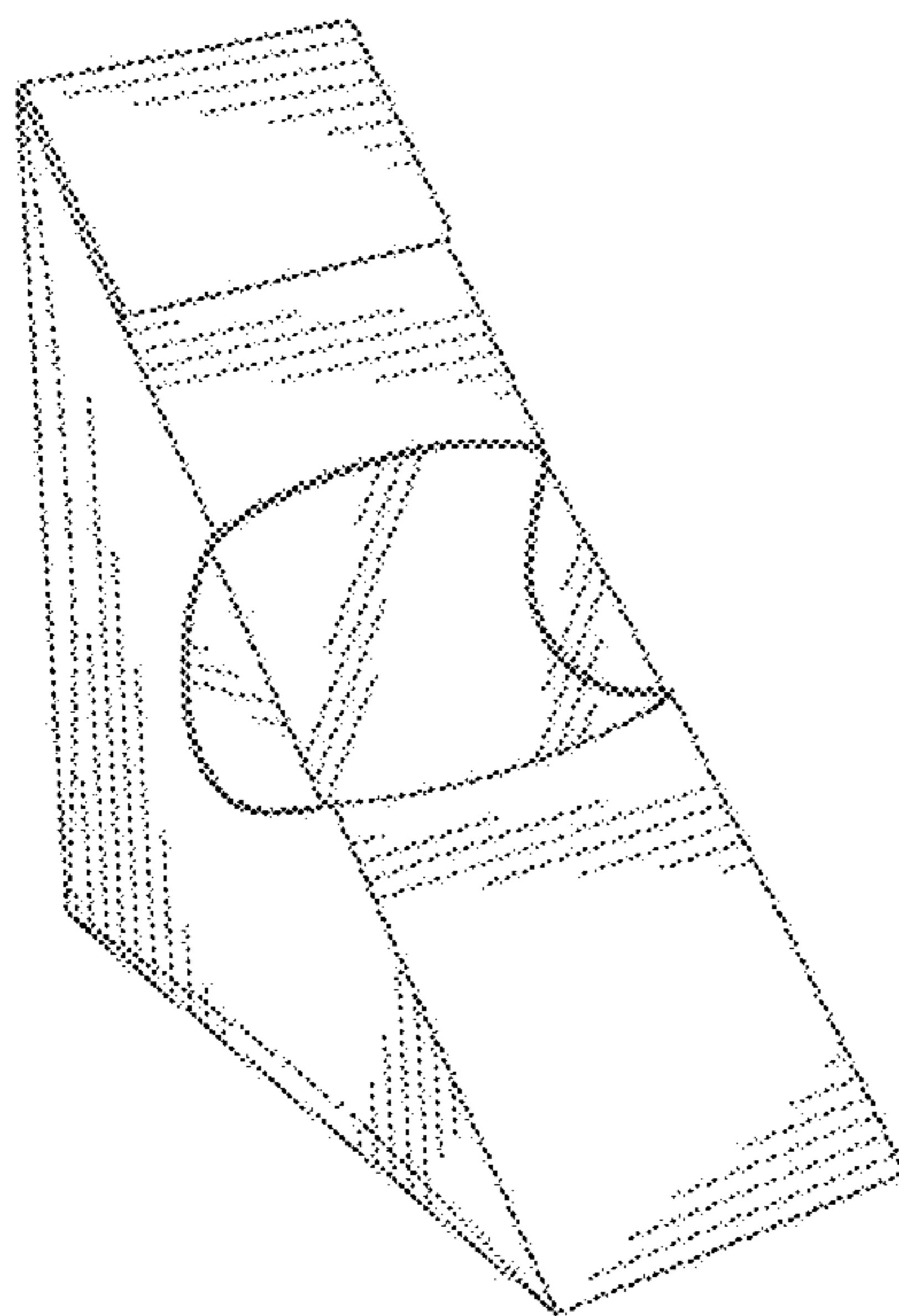
(57) **CLAIM**

The ornamental design for a fastener container, as shown and described.

DESCRIPTION

FIG. 1 is a perspective view of a fastener container showing my new design;
 FIG. 2 is a right side view thereof;
 FIG. 3 is a left side view thereof;
 FIG. 4 is a front elevation view thereof;
 FIG. 5 is a rear elevation view thereof;
 FIG. 6 is a top plan view thereof;
 FIG. 7 is a bottom plan view thereof;
 FIG. 8 is a perspective view thereof illustrating a door in an open position; and,
 FIG. 9 is a top plan view of an unfolded blank thereof.
 The broken line portion of the figure drawings is included to show unclaimed subject matter only and forms no part of the claimed design.

1 Claim, 7 Drawing Sheets



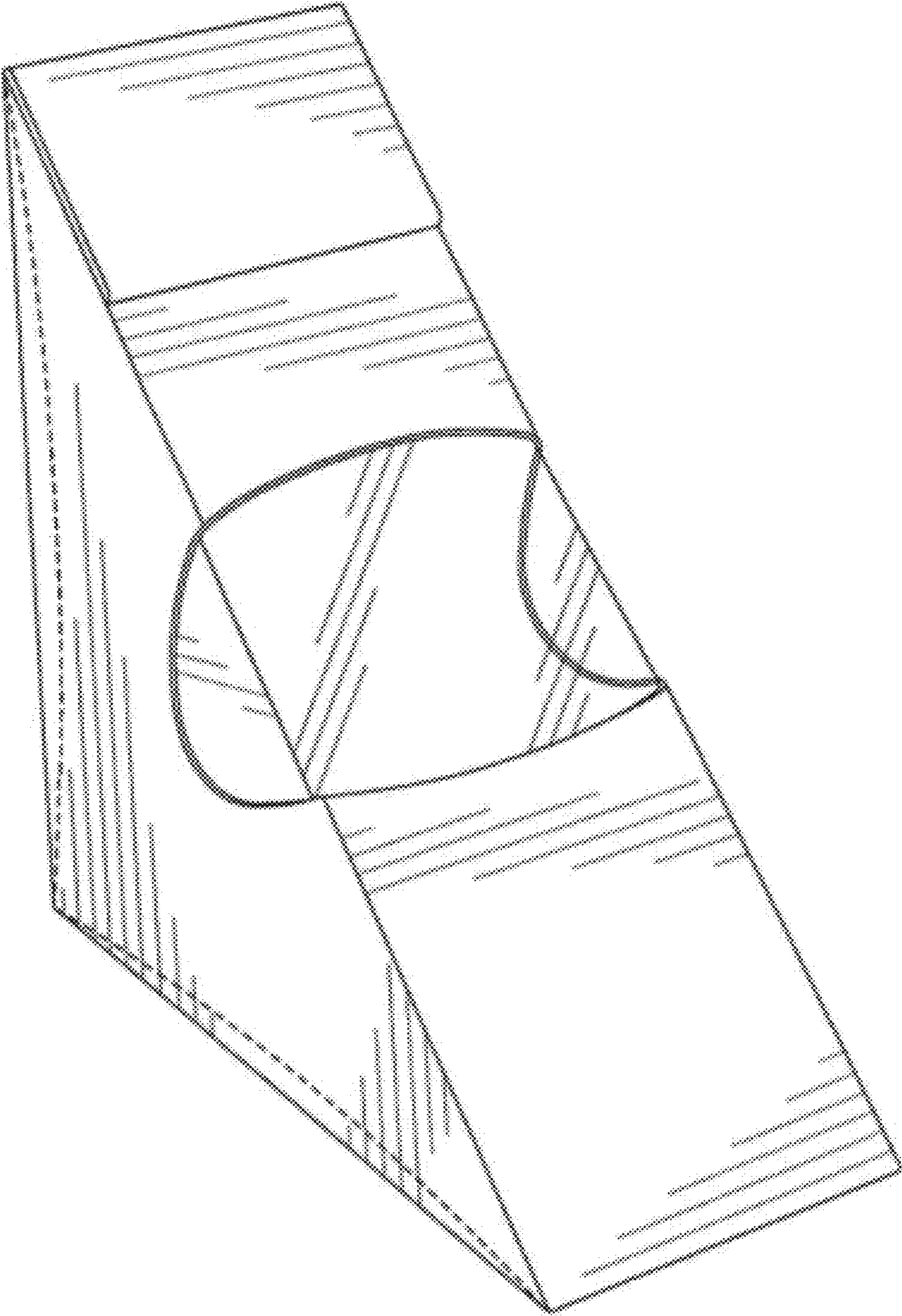


FIG. 1

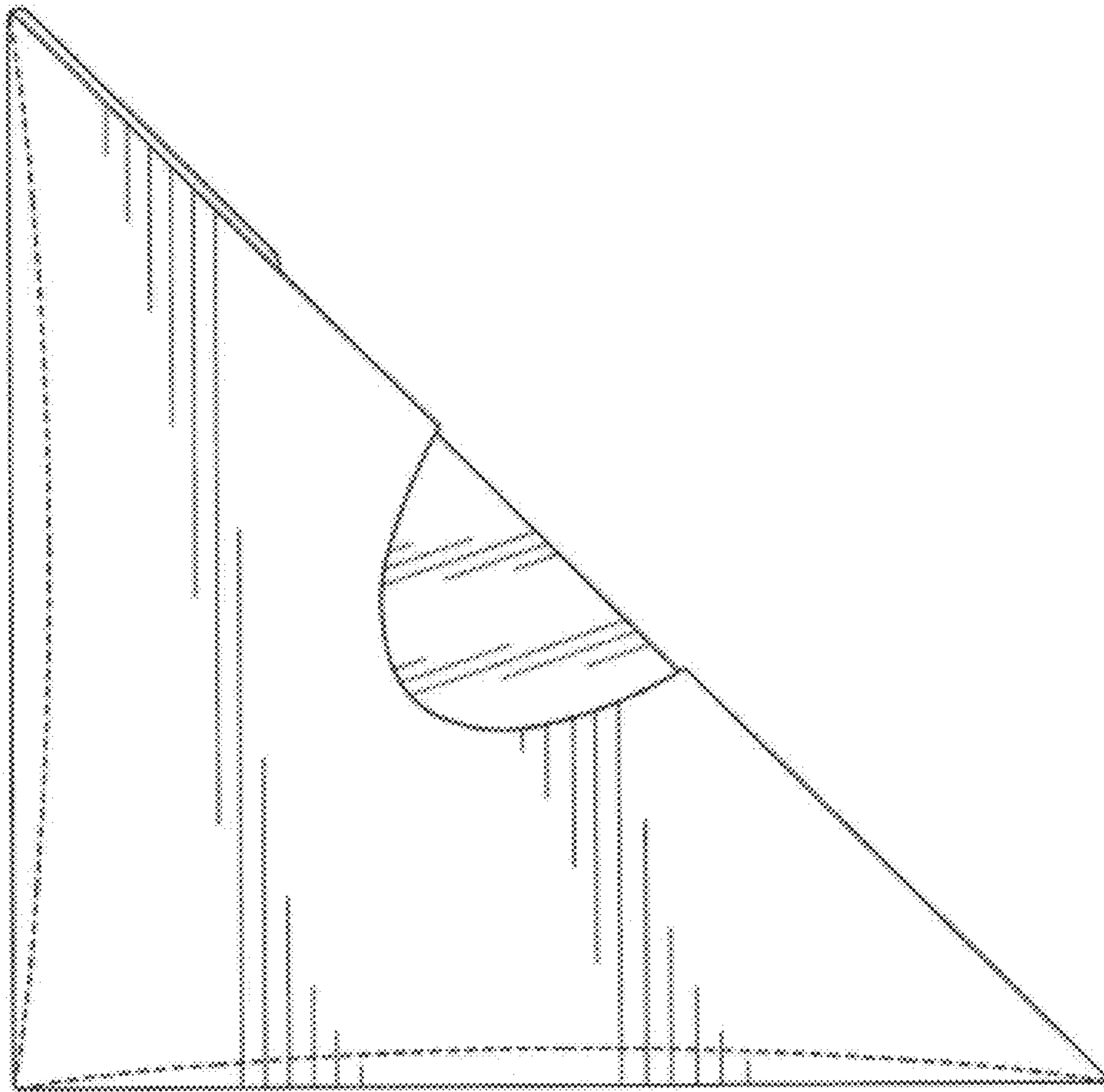


FIG. 2

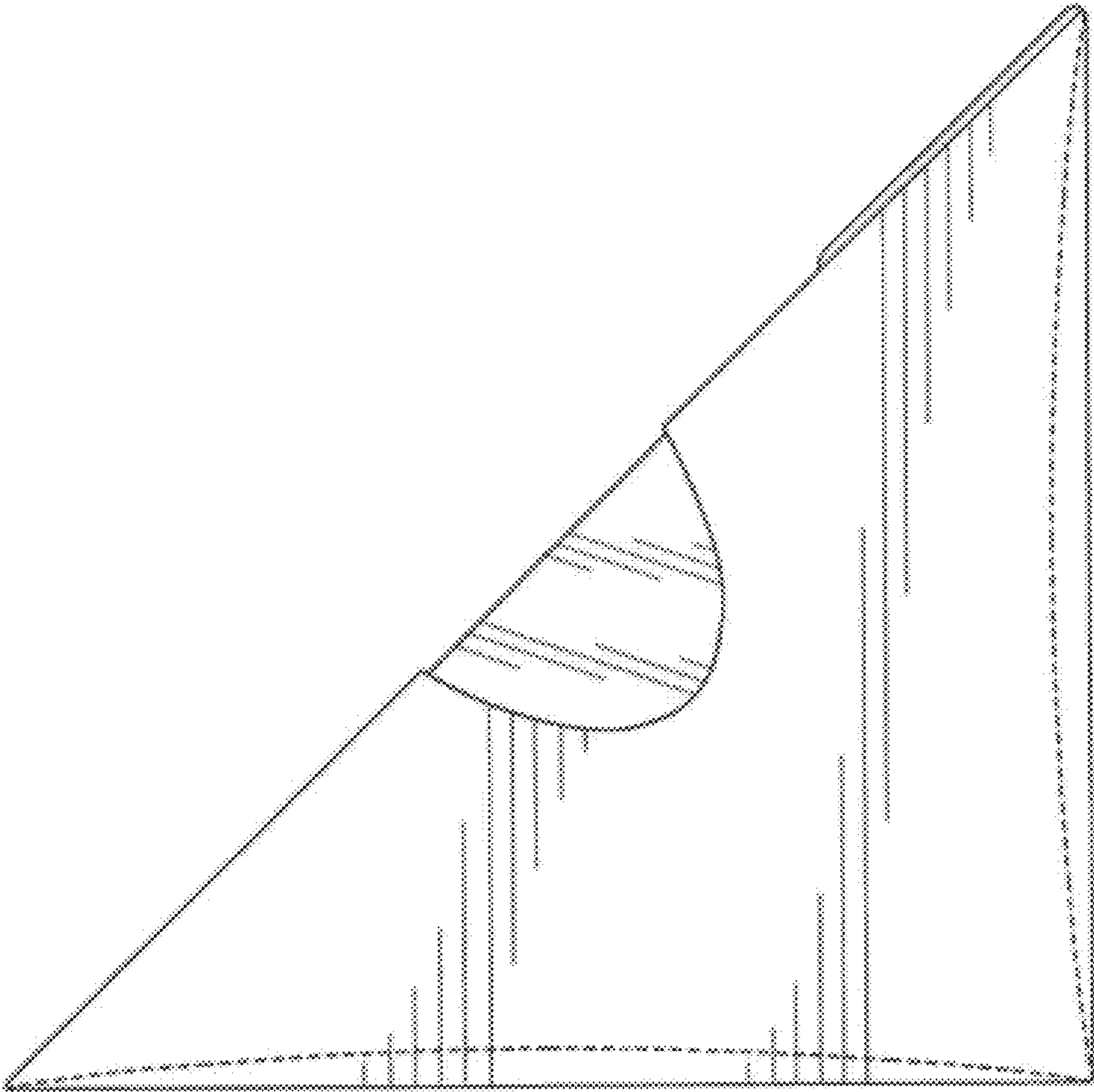


FIG. 3

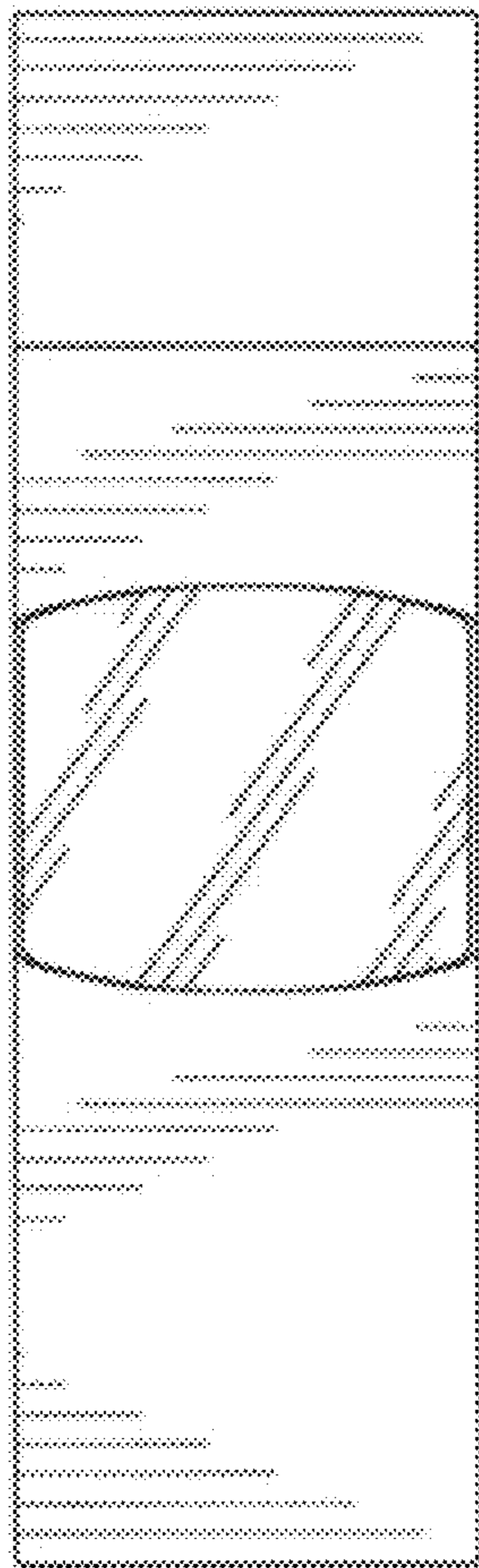


FIG. 4

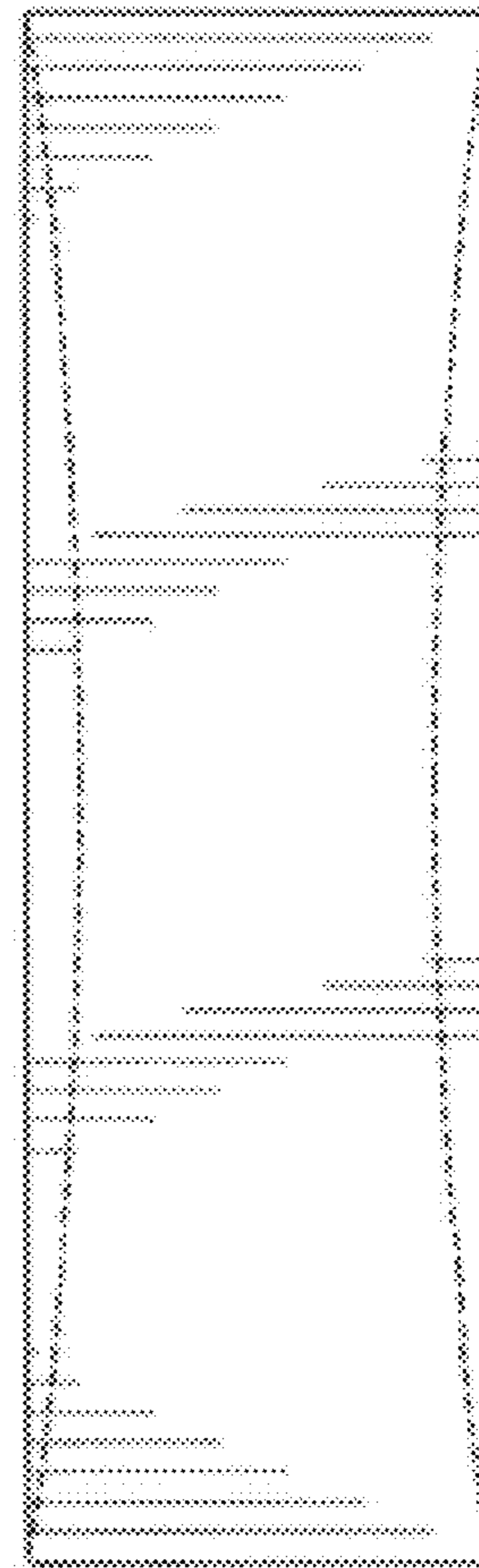


FIG. 5

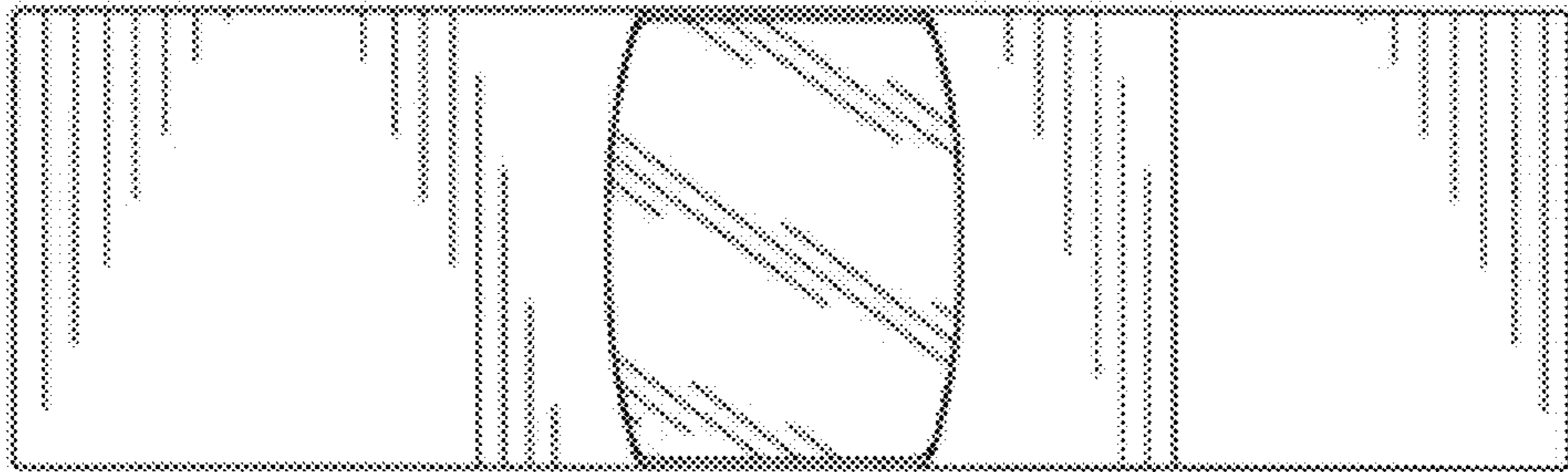


FIG. 6

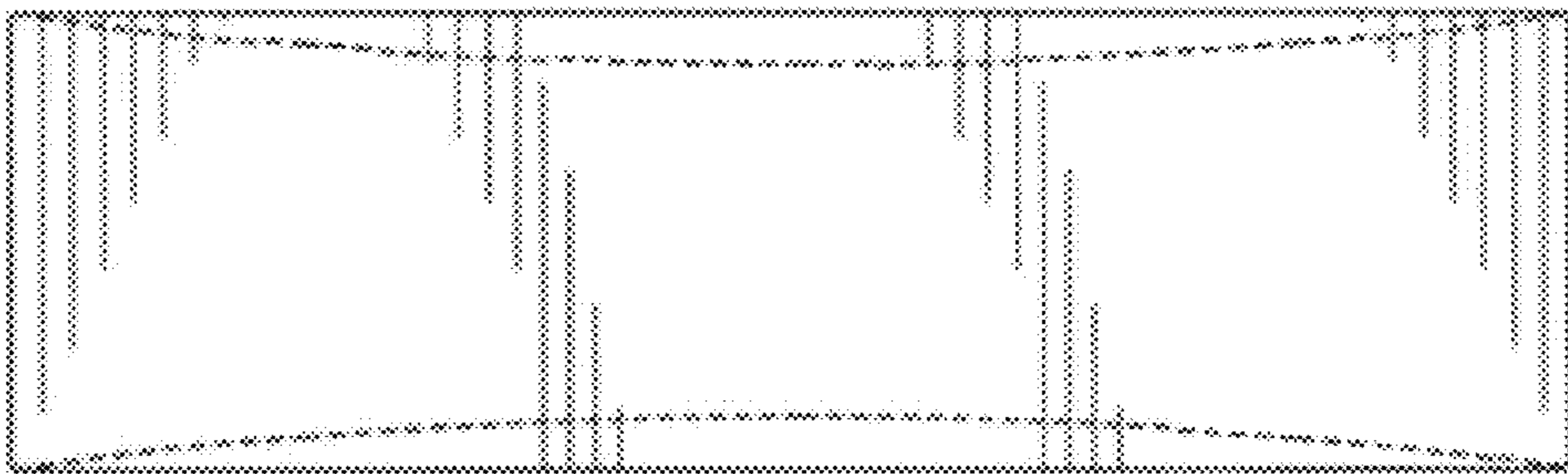


FIG. 7

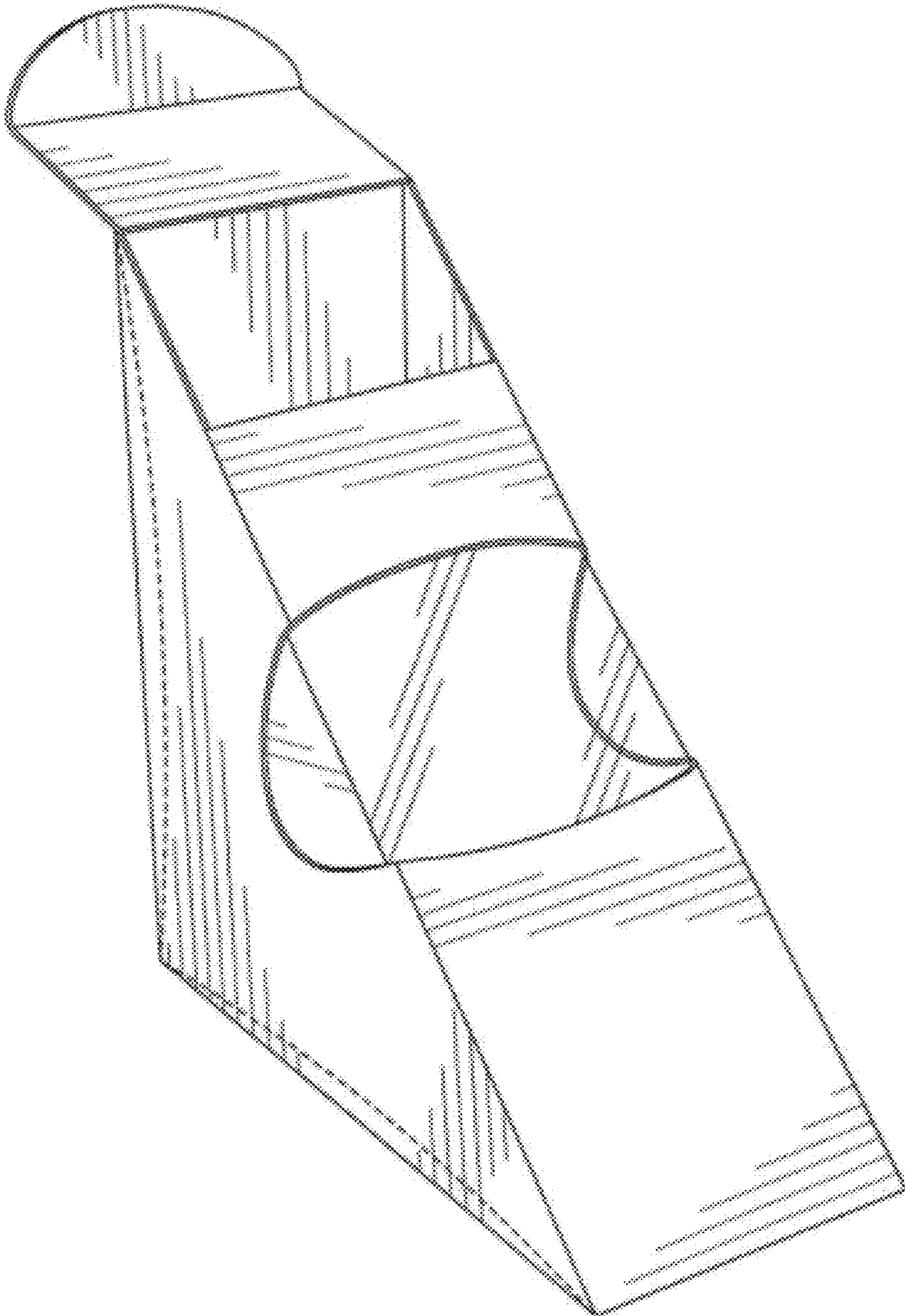


FIG. 8

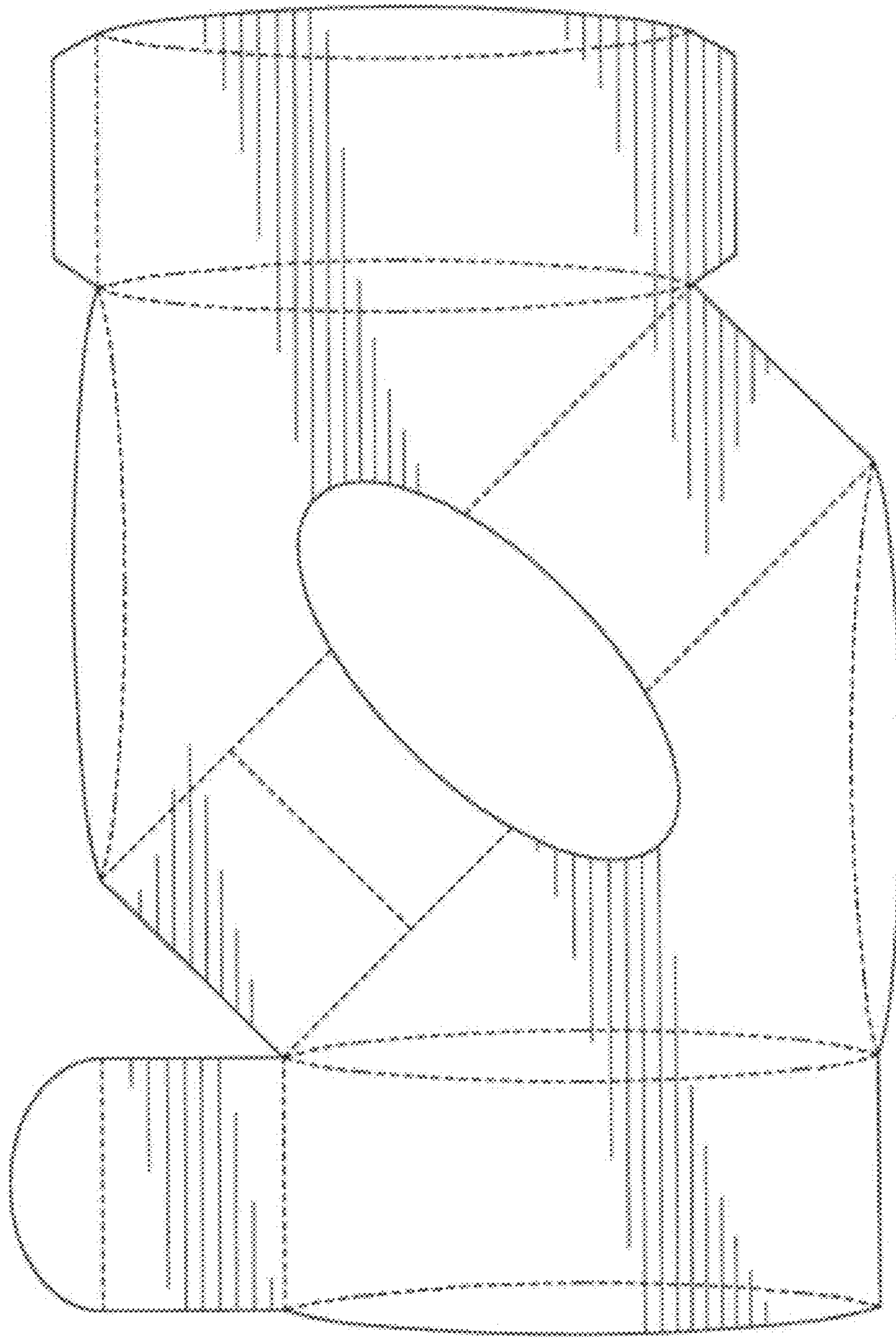


FIG. 9