



US00D671830S

(12) **United States Design Patent**
Hudson et al.

(10) **Patent No.:** **US D671,830 S**

(45) **Date of Patent:** **** Dec. 4, 2012**

(54) **CONTAINER**

(75) Inventors: **Clinton M. Hudson**, Merrill, IA (US);
Wendy J. Tabbert, Le Mars, IA (US)

(73) Assignee: **Wells Enterprises, Inc.**, Le Mars, IA (US)

(**) Term: **14 Years**

(21) Appl. No.: **29/385,213**

(22) Filed: **Feb. 10, 2011**

(51) **LOC (9) Cl.** **09-03**

(52) **U.S. Cl.** **D9/428**

(58) **Field of Classification Search** D9/414,
D9/416, 419, 424, 425, 430, 431, 432, 761;
D7/538, 549, 550.1, 601-603, 605, 629;
220/23.4, 23.6, 266, 281, 315, 318, 500,
220/659, 669, 674, 675, 696, 752, 760, 790,
220/793, DIG. 12, FOR. 117; 229/105, 117.09,
229/117.26, 189, 406, 407, 902, 905, 915.1;
206/499, 508, 557; D3/276

See application file for complete search history.

(56) **References Cited**

U.S. PATENT DOCUMENTS

D407,974 S *	4/1999	Zimmer et al.	D9/428
D416,796 S *	11/1999	Smith	D9/428
D442,860 S *	5/2001	Symons et al.	D9/428
D470,768 S *	2/2003	Melhede	D9/428

D489,004 S *	4/2004	Parman	D9/428
D501,636 S *	2/2005	Melhede	D9/428
D640,547 S *	6/2011	Guillemin et al.	D9/428
2007/0062948 A1 *	3/2007	Albrecht et al.	220/266
2012/0205375 A1 *	8/2012	Hudson et al.	220/212

* cited by examiner

Primary Examiner — Thomas Johannes

(74) *Attorney, Agent, or Firm* — McKee, Voorhees & Sease, P.L.C.

(57) **CLAIM**

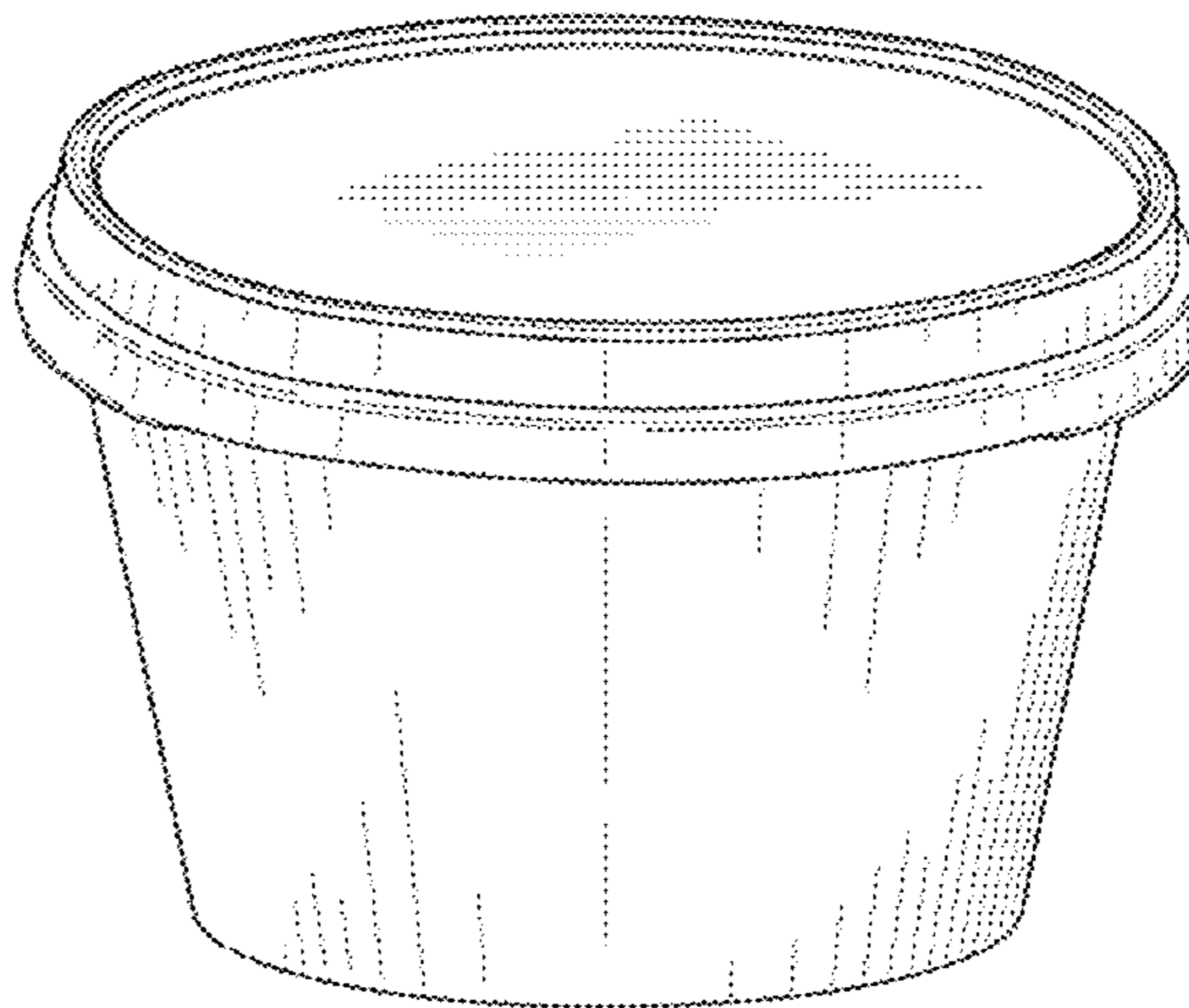
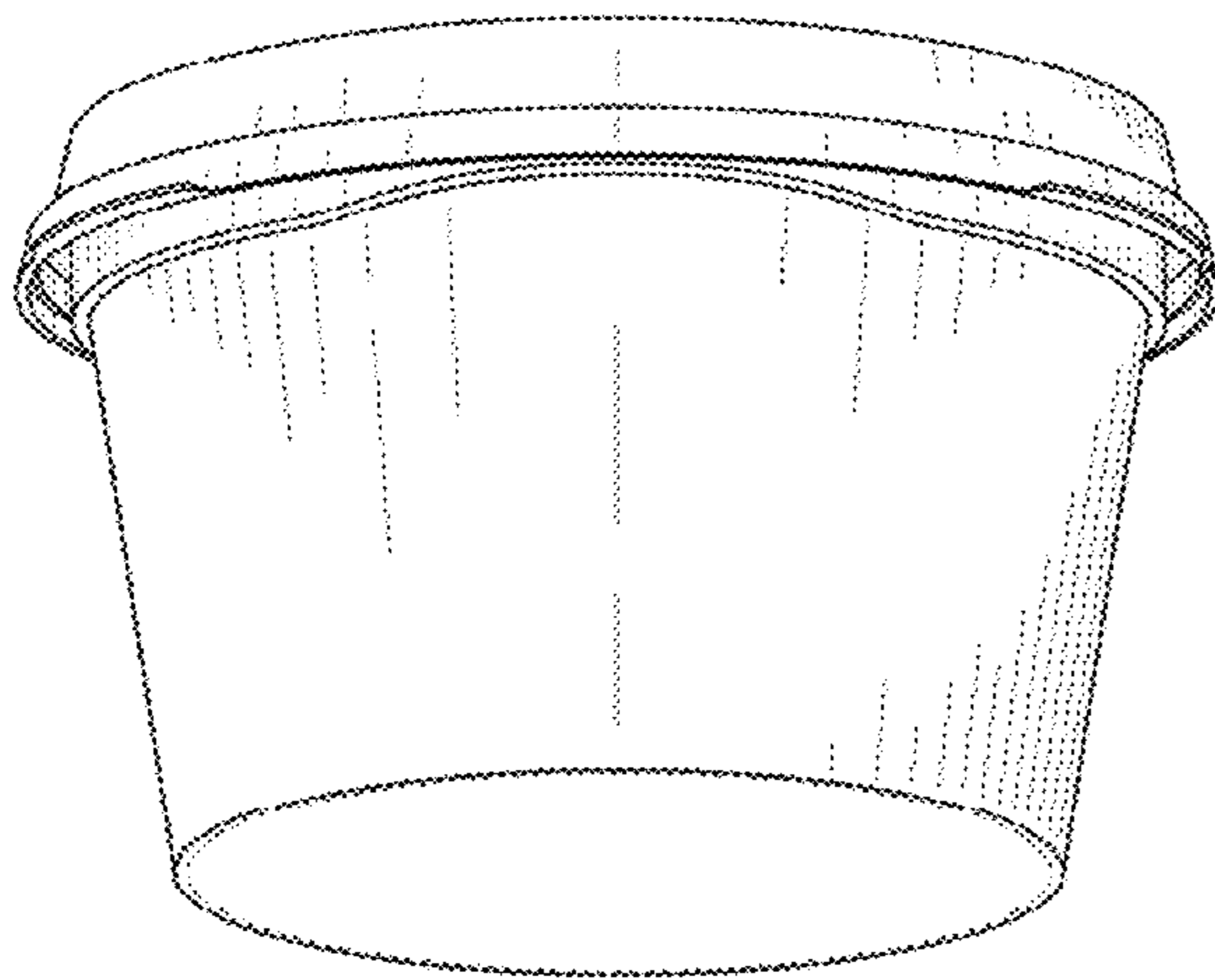
We claim the ornamental design for a container, substantially as shown and described.

DESCRIPTION

FIG. 1 is a bottom perspective view of a container showing our new design;
FIG. 2 is a top plan view thereof;
FIG. 3 is front elevation view thereof, with the opposite side being a mirror image thereto;
FIG. 4 is a bottom plan view thereof;
FIG. 5 is an end elevation view thereof, with the opposite end being a mirror image thereto; and,
FIG. 6 is a top perspective view thereof.

The broken line portion of the figure drawings is included to show unclaimed subject matter only and forms no part of the claimed design.

1 Claim, 4 Drawing Sheets



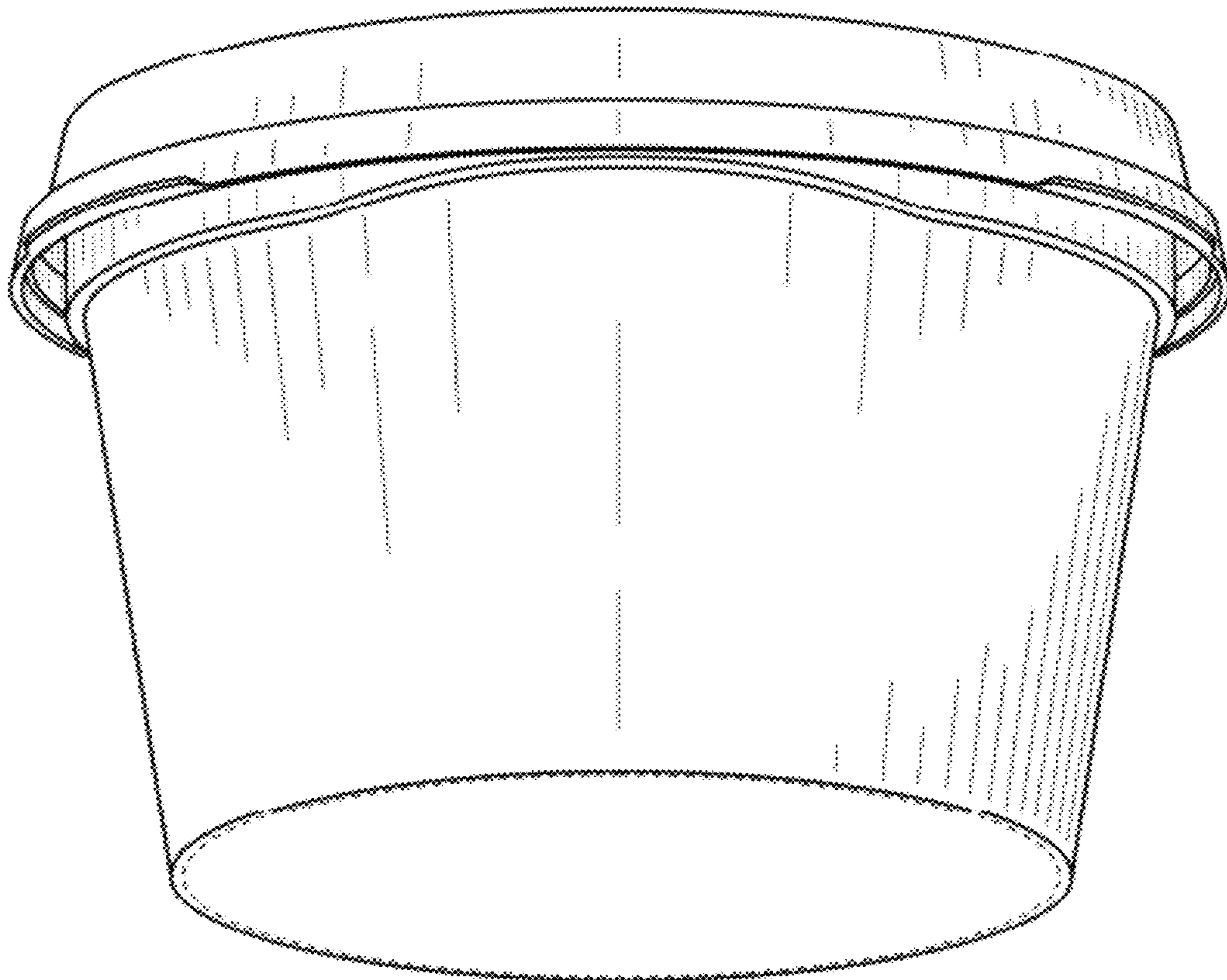


FIG. 1

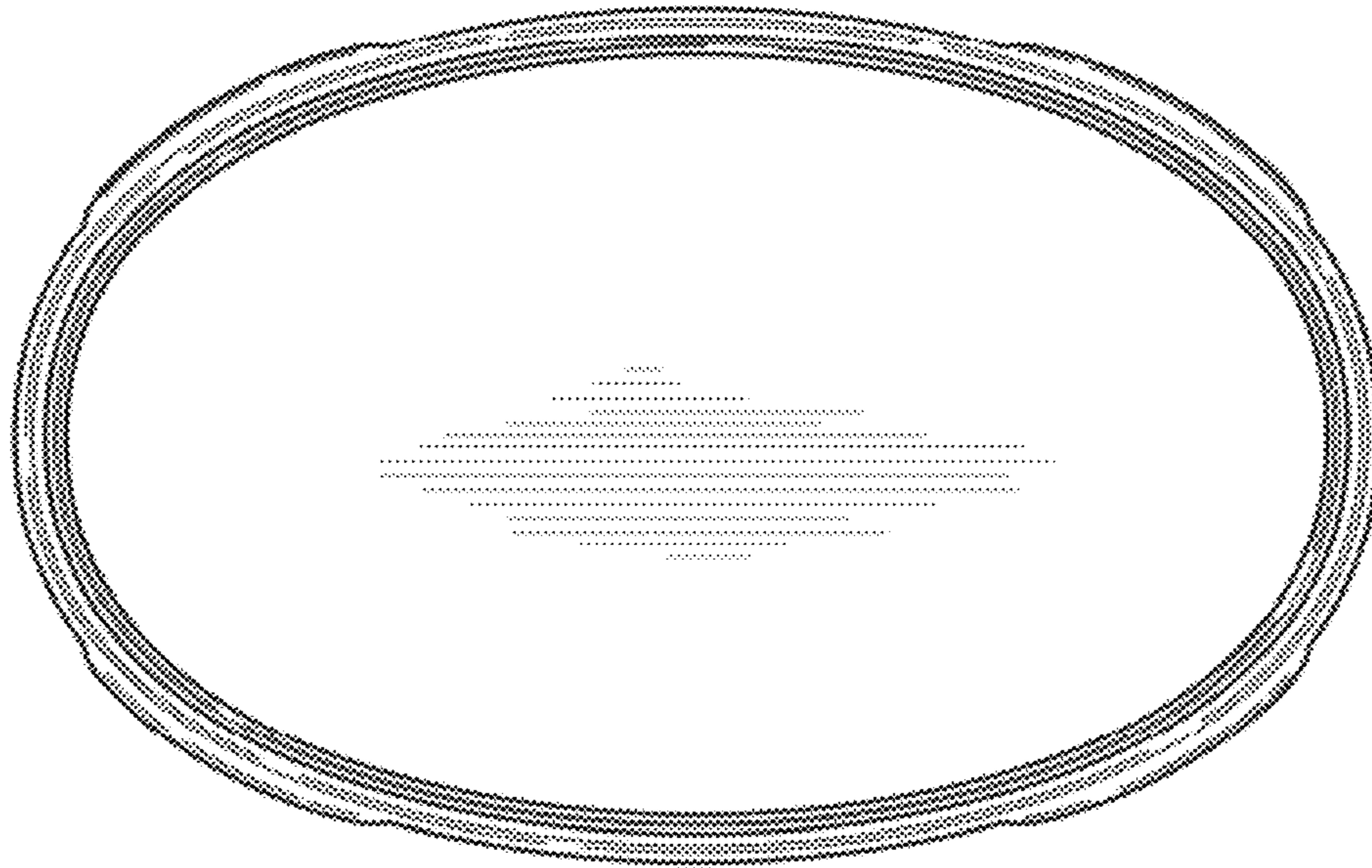


FIG. 2

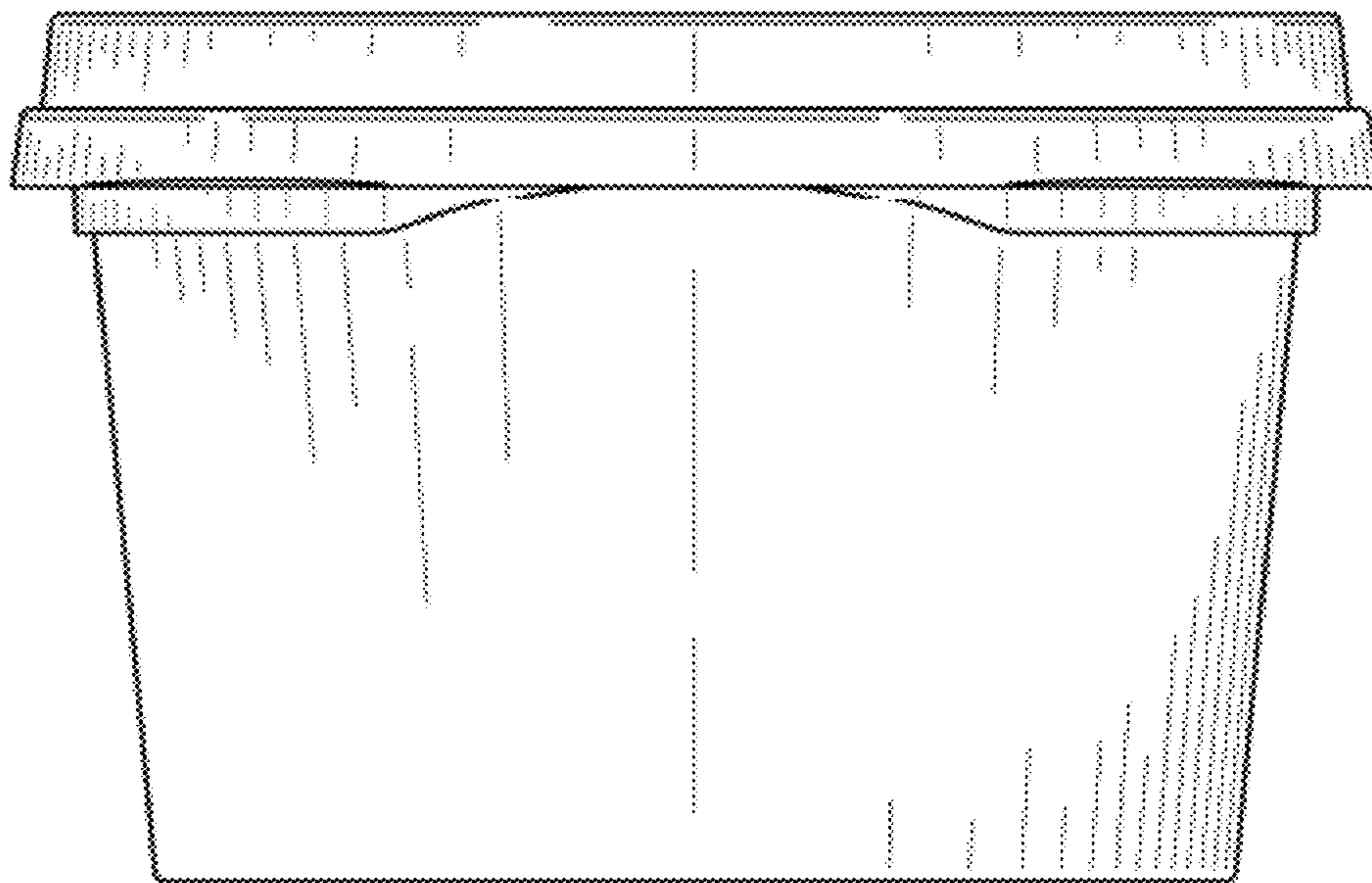


FIG. 3

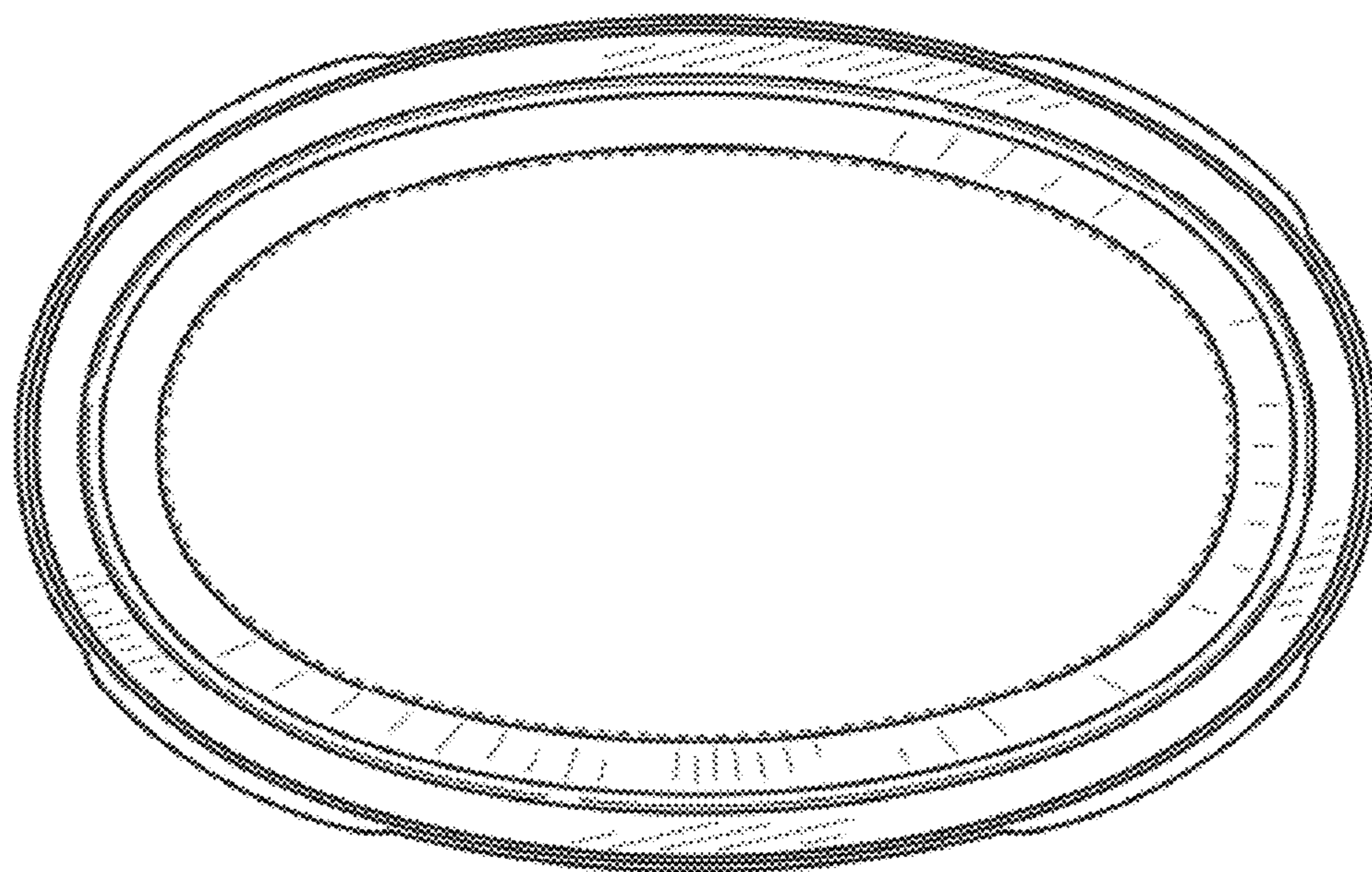


FIG. 4

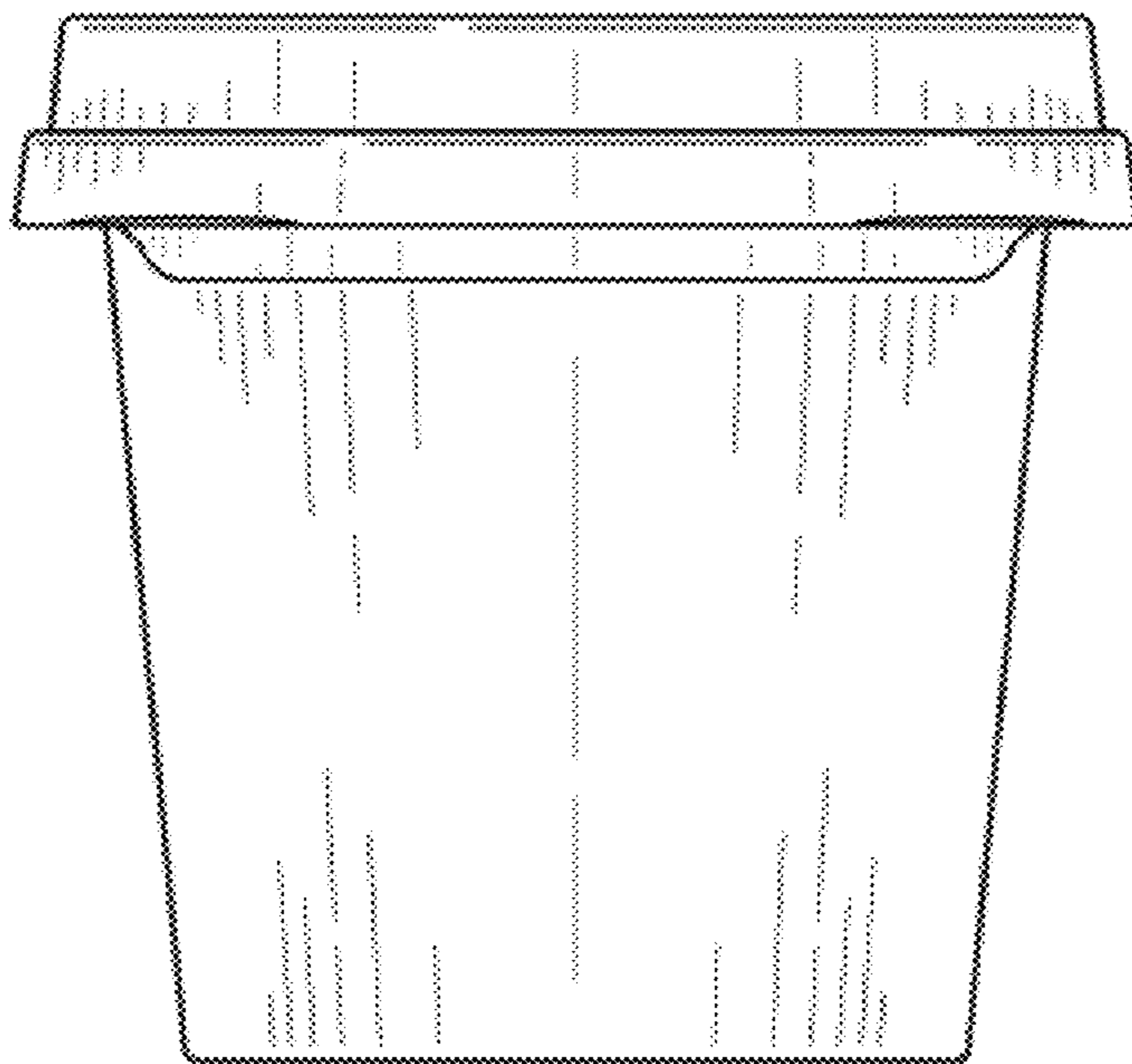


FIG. 5

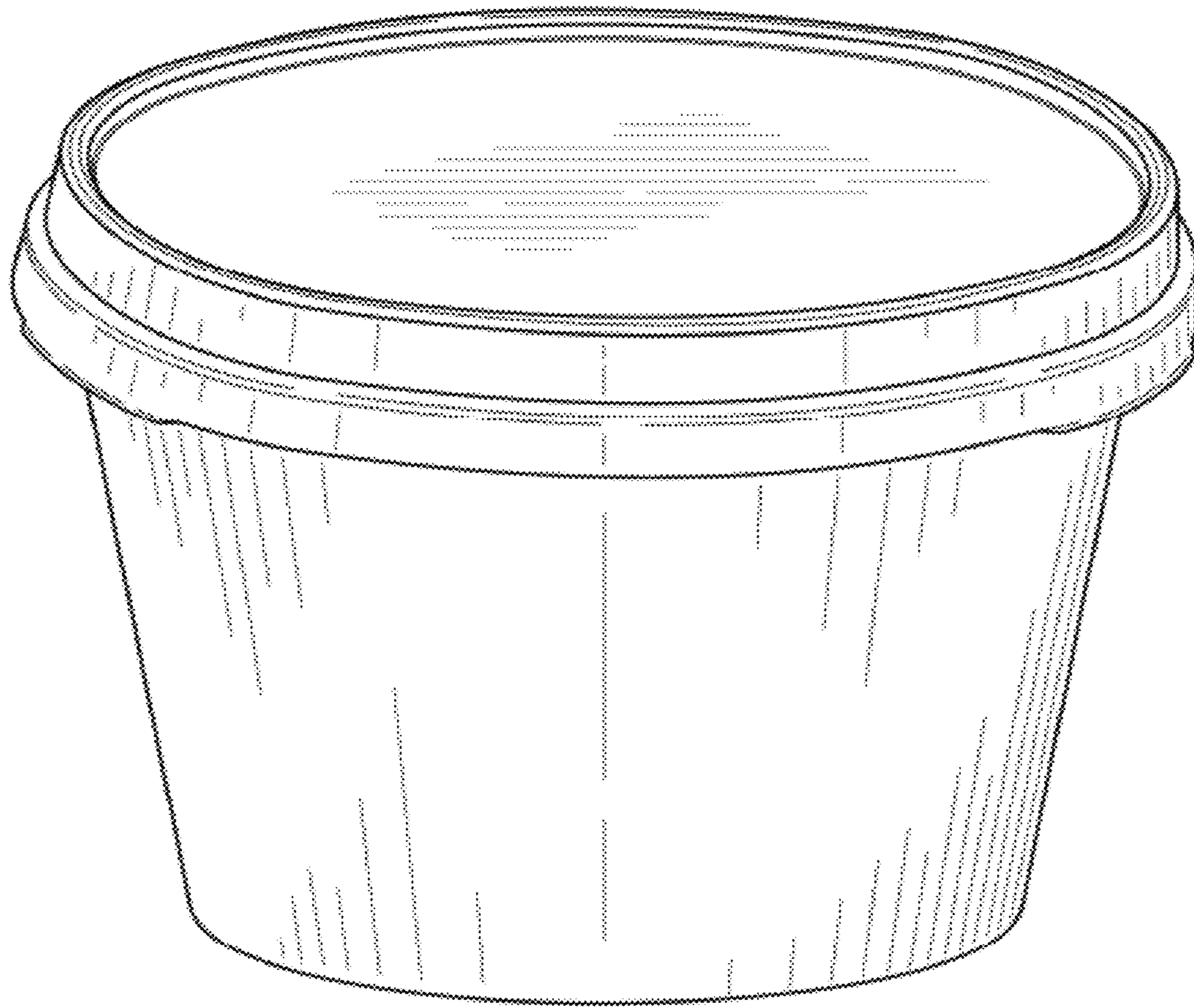


FIG. 6