



US00D671827S

(12) **United States Design Patent**
Raimer et al.

(10) **Patent No.:** **US D671,827 S**
(45) **Date of Patent:** **** Dec. 4, 2012**

(54) **WIPER PACKAGE**

(75) Inventors: **George E. Raimer**, Saranac, MI (US);
Matthew D. Hansen, Rockford, MI
(US); **Victor D. Hansen**, Rockford, MI
(US); **David H. Bult**, Jenison, MI (US)

(73) Assignee: **Display Pack, Inc.**, Grand Rapids, MI
(US)

(**) Term: **14 Years**

(21) Appl. No.: **29/405,527**

(22) Filed: **Nov. 3, 2011**

(51) **LOC (9) Cl.** **09-03**

(52) **U.S. Cl.** **D9/415**

(58) **Field of Classification Search** D9/715,
D9/721, 722, 737, 414-436; 206/461-471,
206/486, 349-383, 775-783, 806, 822
See application file for complete search history.

(56) **References Cited**

U.S. PATENT DOCUMENTS

D86,062	S *	1/1932	Shepard	D9/424
D190,395	S *	5/1961	Robinson	D9/419
3,669,336	A *	6/1972	Robinson	206/591
D238,932	S *	2/1976	Thomas	D9/425
D327,013	S *	6/1992	Reighart	D9/415
D368,027	S *	3/1996	Baker	D9/415
D368,028	S *	3/1996	Baker	D9/415
5,899,334	A *	5/1999	Domerchie et al.	206/470
6,070,723	A *	6/2000	Lewis	206/335
7,258,233	B2 *	8/2007	Lee	206/470
D573,457	S *	7/2008	Park	D9/415
7,527,151	B2 *	5/2009	Park	206/470
2007/0272577	A1 *	11/2007	Kim	206/470
2011/0233087	A1 *	9/2011	Skurdalsvold et al.	206/349

* cited by examiner

Primary Examiner — Catherine Tuttle

(74) *Attorney, Agent, or Firm* — Warner Norcross & Judd
LLP

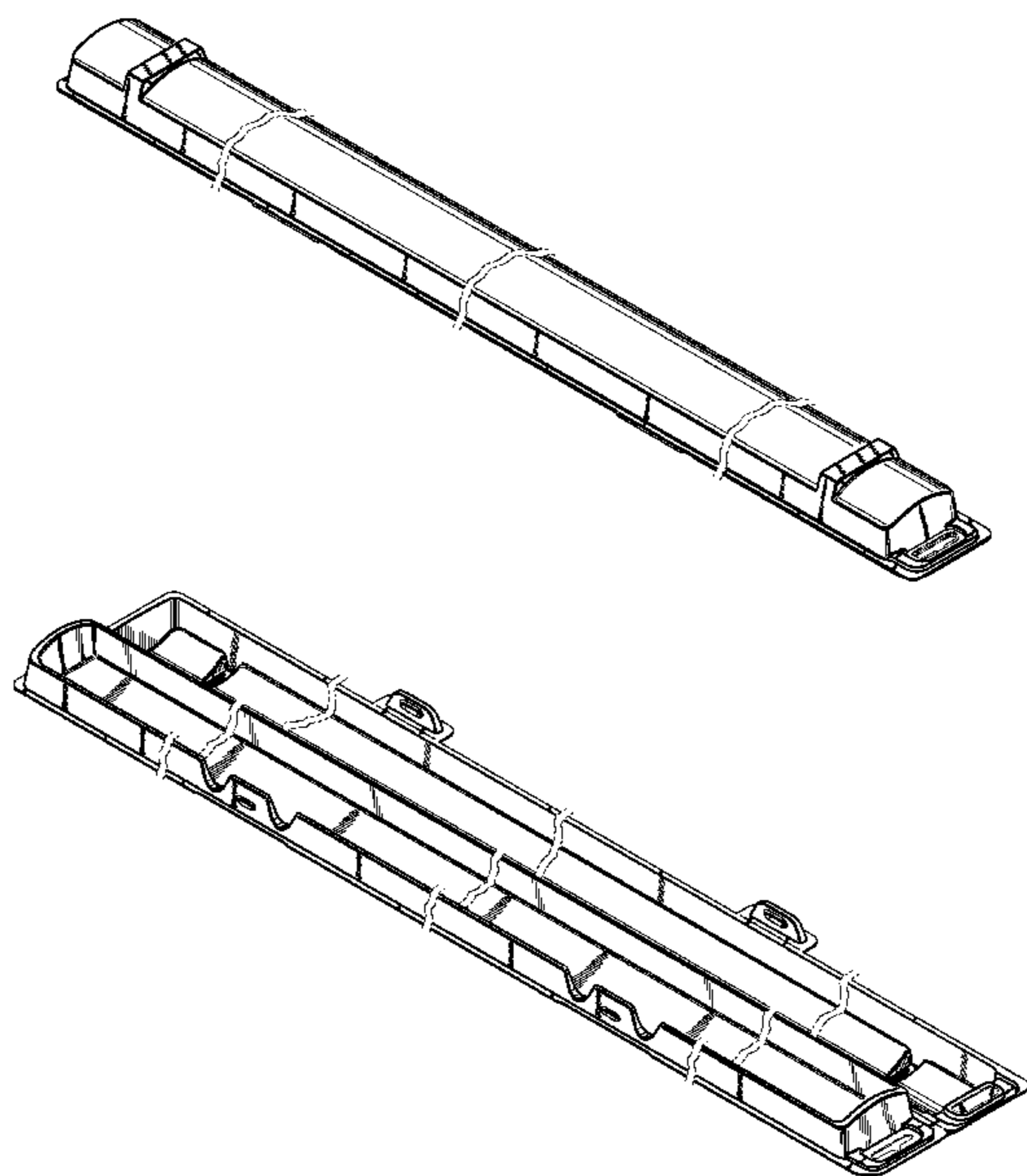
(57) **CLAIM**

The ornamental design for a wiper package, as shown and
described.

DESCRIPTION

FIG. 1 is a perspective view of a wiper package in a closed
configuration;
FIG. 2 is an enlarged scale front end view thereof in the closed
configuration;
FIG. 3 is an enlarged scale rear end view thereof in the closed
configuration;
FIG. 4 is a right side view thereof in the closed configuration;
FIG. 5 is a left side thereof in the closed configuration;
FIG. 6 is a top view thereof in the closed configuration;
FIG. 7 is a bottom view thereof in the closed configuration;
FIG. 8 is a perspective view of the wiper package in the open
configuration;
FIG. 9 is a top view thereof in the open configuration;
FIG. 10 is an enlarged scale front end view thereof in the open
configuration;
FIG. 11 is a right side view thereof in the open configuration;
and,
FIG. 12 is a left side view thereof in the open configuration.
The wiper package is movable between open and closed
configurations, with FIGS. 1-7 showing the wiper package in
the closed configuration and FIGS. 8-12 showing the wiper
package in the open configuration. The claimed design
extends only to the shaded portions of the wiper package.
FIGS. 1 and 6-9 show portions of the wiper package in broken
lines. The broken line portions are shown for environmental
purposes and form no part of the claimed design. The broken
line segments immediately adjacent the solid line portions of
the design define the boundary of the design, but do not
themselves form part of the claimed design.

1 Claim, 7 Drawing Sheets



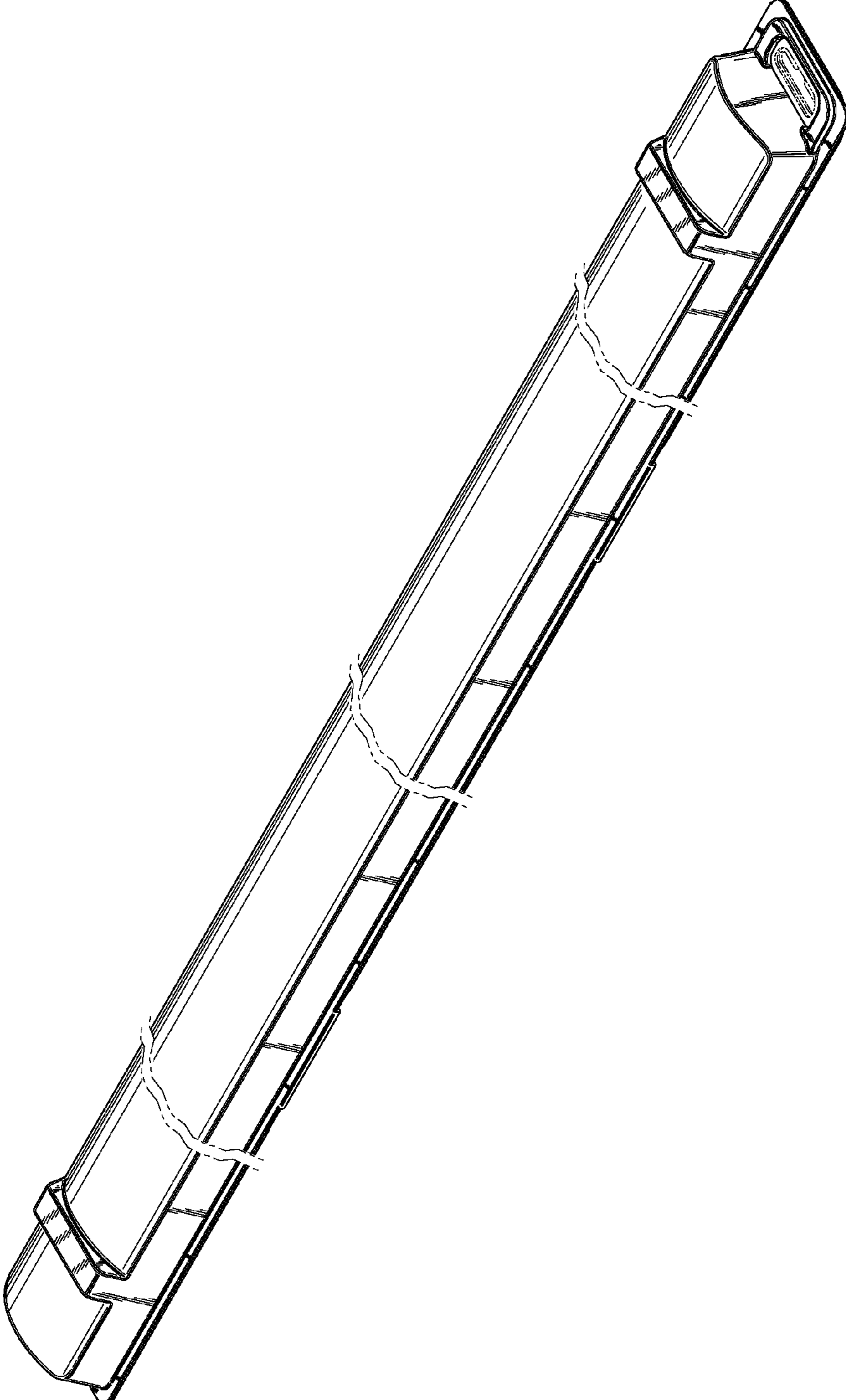


Fig. 1

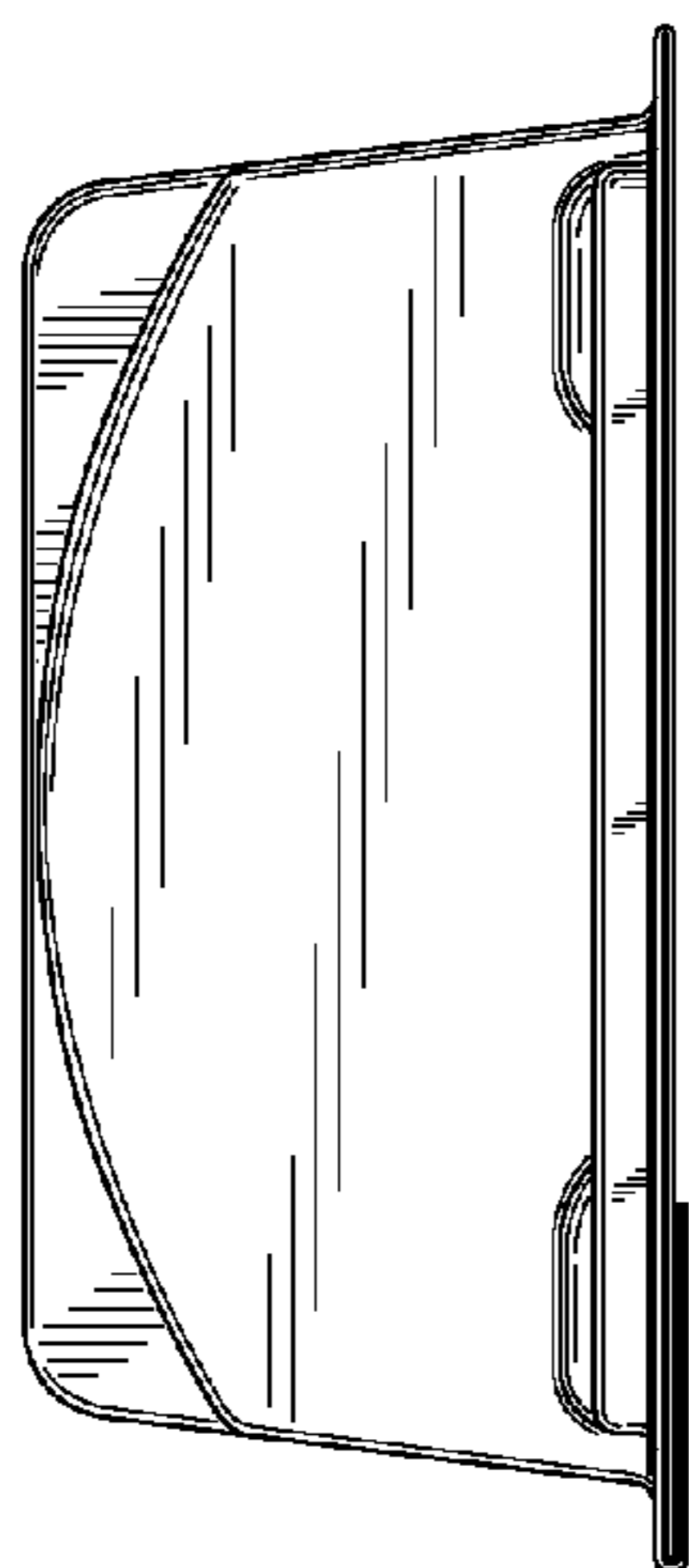


Fig. 2

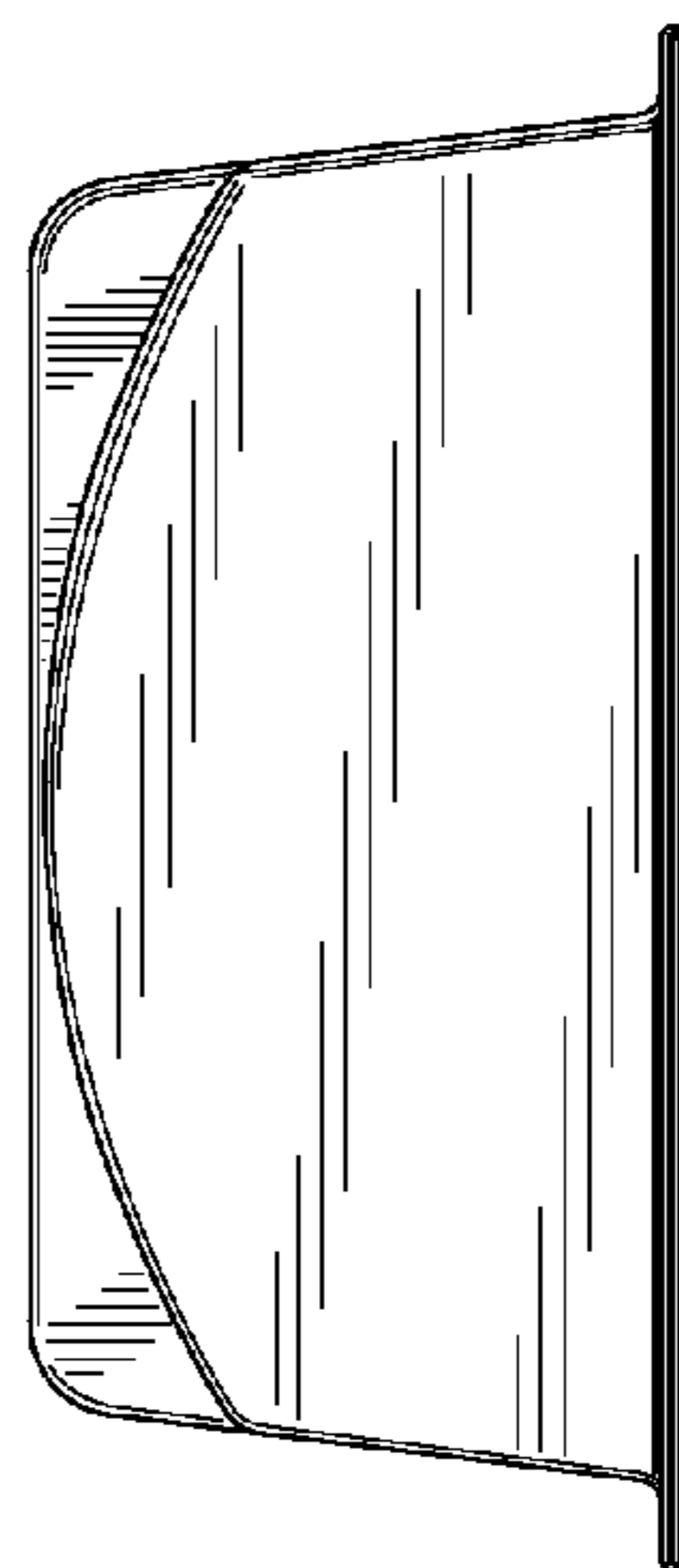


Fig. 3

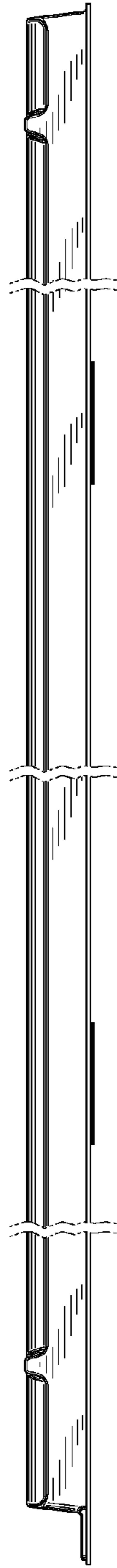


Fig. 4

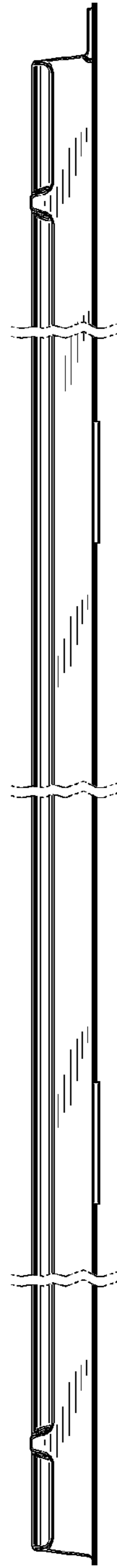


Fig. 5

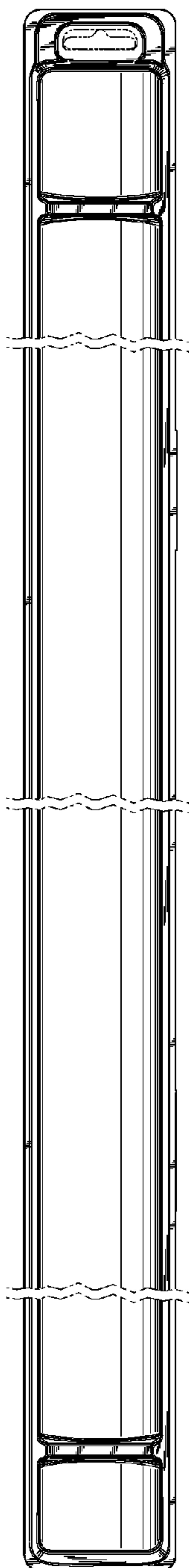


Fig. 6

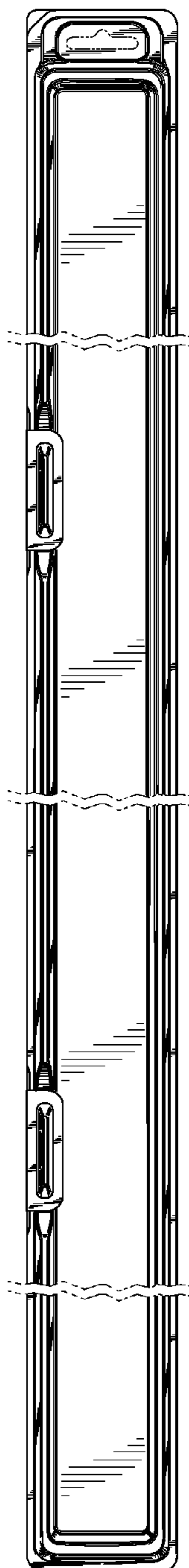


Fig. 7

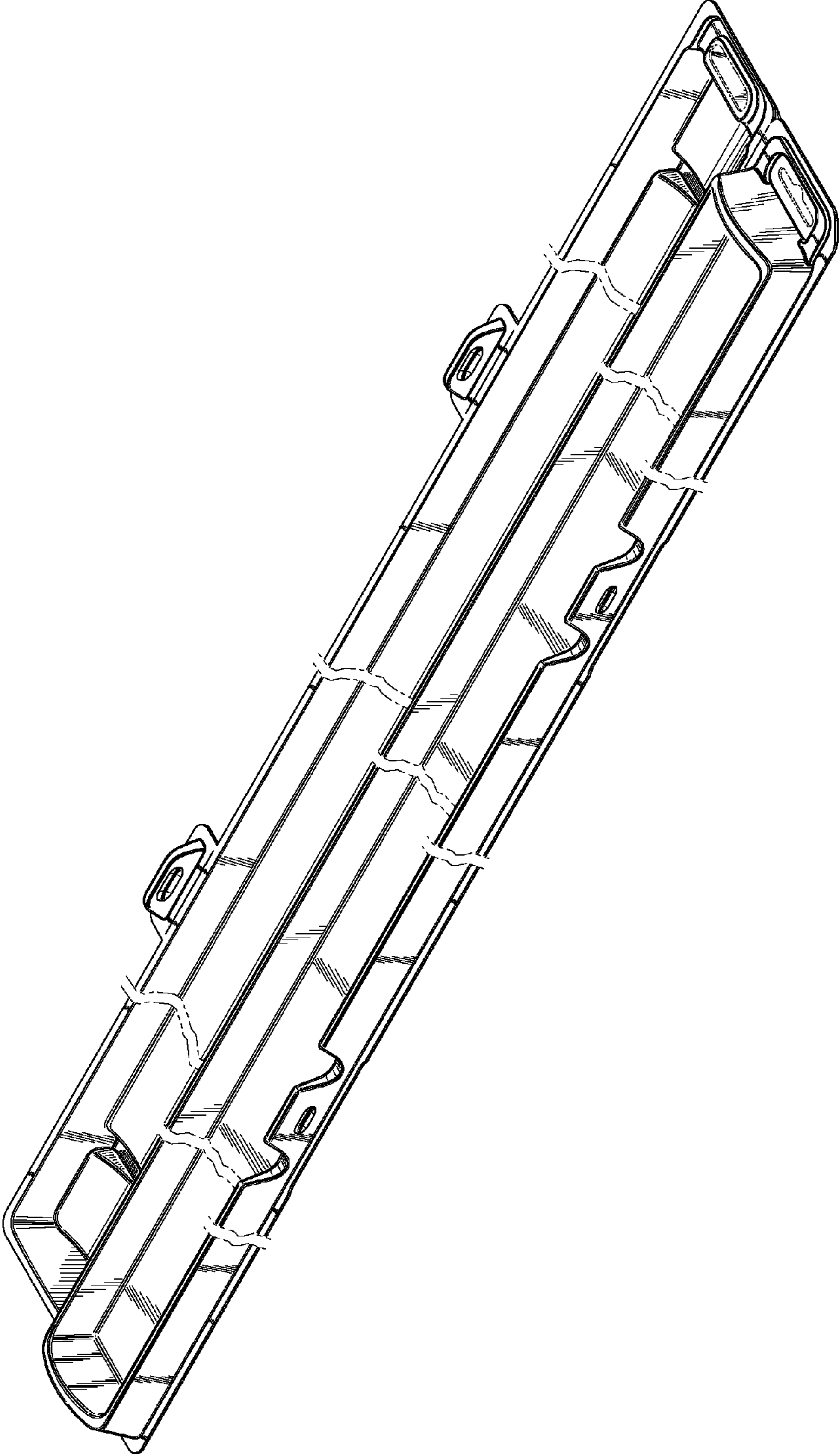


Fig. 8

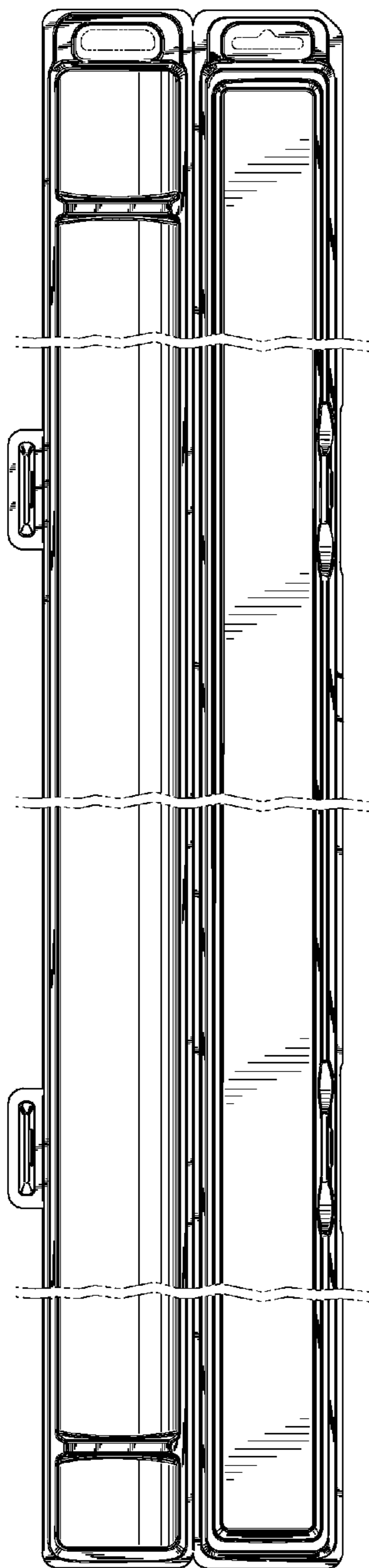


Fig. 9

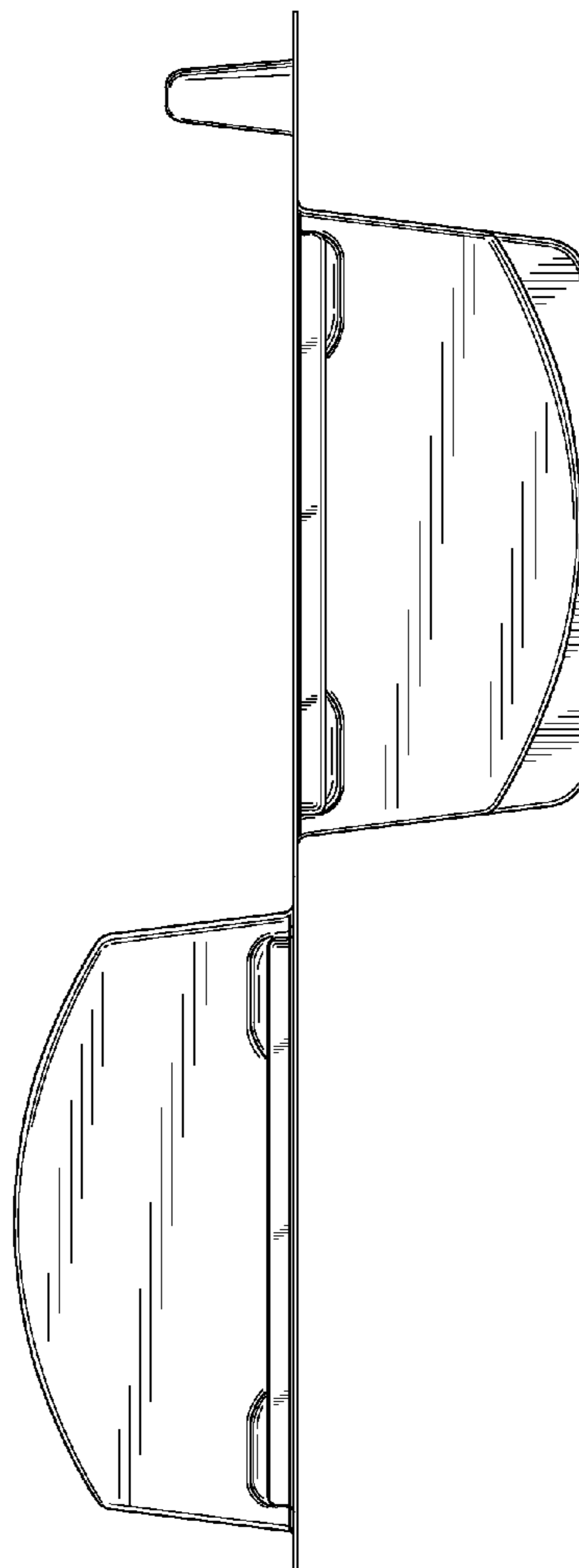


Fig. 10

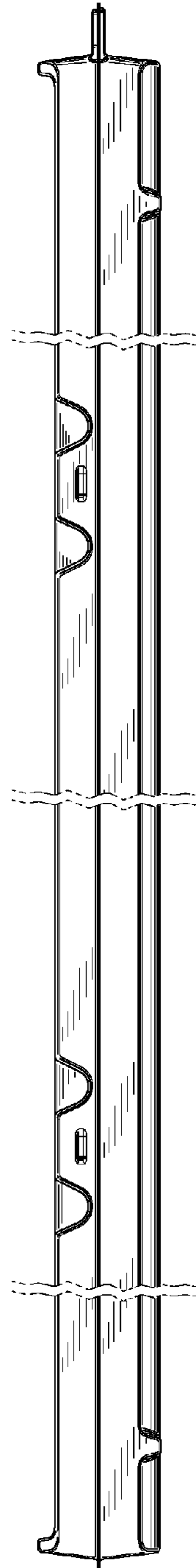


Fig. 11

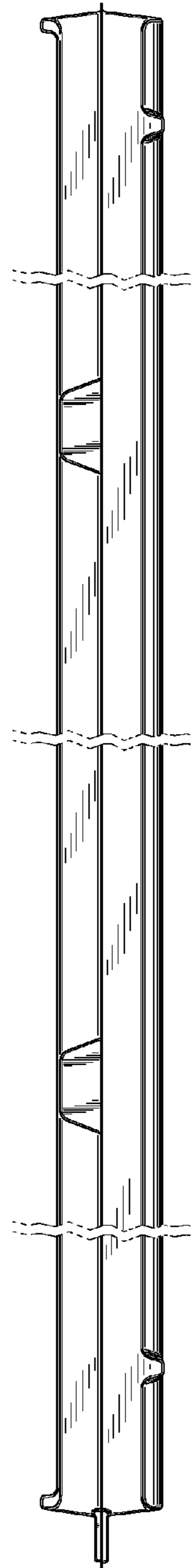


Fig. 12