



US00D671826S

(12) **United States Design Patent**  
**Adams, IV et al.**

(10) **Patent No.:** **US D671,826 S**  
(45) **Date of Patent:** **\*\* Dec. 4, 2012**

(54) **CLIP FOR HOLDING DECORATIVE LIGHTS**

(75) Inventors: **William E. Adams, IV**, Zelienople, PA (US); **Wililam E. Adams**, Portersville, PA (US)

(73) Assignee: **Adams Mfg. Corp.**, Portersville, PA (US)

(\*\*) Term: **14 Years**

(21) Appl. No.: **29/408,090**

(22) Filed: **Dec. 7, 2011**

(51) **LOC (9) Cl.** ..... **08-08**

(52) **U.S. Cl.** ..... **D8/395**

(58) **Field of Classification Search** ..... D8/354, D8/356, 371, 394-396; D19/65, 86; D24/128; 248/74.2, 215, 227.1, 49, 300, 301, 316.7, 248/51, 489; 24/570, 3.12; D32/61; D11/78.1  
See application file for complete search history.

(56) **References Cited**

**U.S. PATENT DOCUMENTS**

D316,958 S *	5/1991	Rumpel	.....	D8/395
5,607,230 A	3/1997	Protz, Jr.		
5,609,415 A	3/1997	Protz, Jr.		
D385,776 S	11/1997	Protz, Jr.		
5,772,166 A	6/1998	Adams		
5,772,168 A	6/1998	Nakazawa et al.		
D402,396 S	12/1998	Protz, Jr.		
D414,291 S	9/1999	Gary et al.		
D422,203 S *	4/2000	Gary et al.	.....	D8/395
D424,418 S	5/2000	Gary et al.		
6,076,938 A	6/2000	Kinderman		
D427,510 S	7/2000	Gary et al.		
D460,912 S	7/2002	Gary et al.		
6,572,062 B1	6/2003	Limber et al.		
D481,927 S	11/2003	Wu		

6,685,151 B2	2/2004	Vasquez et al.		
D494,849 S	8/2004	Jones et al.		
D510,018 S	9/2005	Tognolini		
D531,018 S *	10/2006	Jackson et al.	.....	D8/395
D537,330 S	2/2007	Cox et al.		
D538,636 S *	3/2007	Jackson et al.	.....	D8/395
D562,675 S *	2/2008	Cox et al.	.....	D8/395
D609,559 S *	2/2010	Pendergrast et al.	.....	D8/395
D628,468 S *	12/2010	Camp et al.	.....	D8/395

\* cited by examiner

*Primary Examiner* — John Windmuller

(74) *Attorney, Agent, or Firm* — Buchanan Ingersoll & Rooney PC

(57) **CLAIM**

The ornamental design for a clip for holding decorative lights, as shown and described.

**DESCRIPTION**

FIG. 1 is a right side view of our clip for holding decorative lights;

FIG. 2 is a top view thereof;

FIG. 3 is a bottom view thereof;

FIG. 4 is a left side view thereof;

FIG. 5 is a front view thereof;

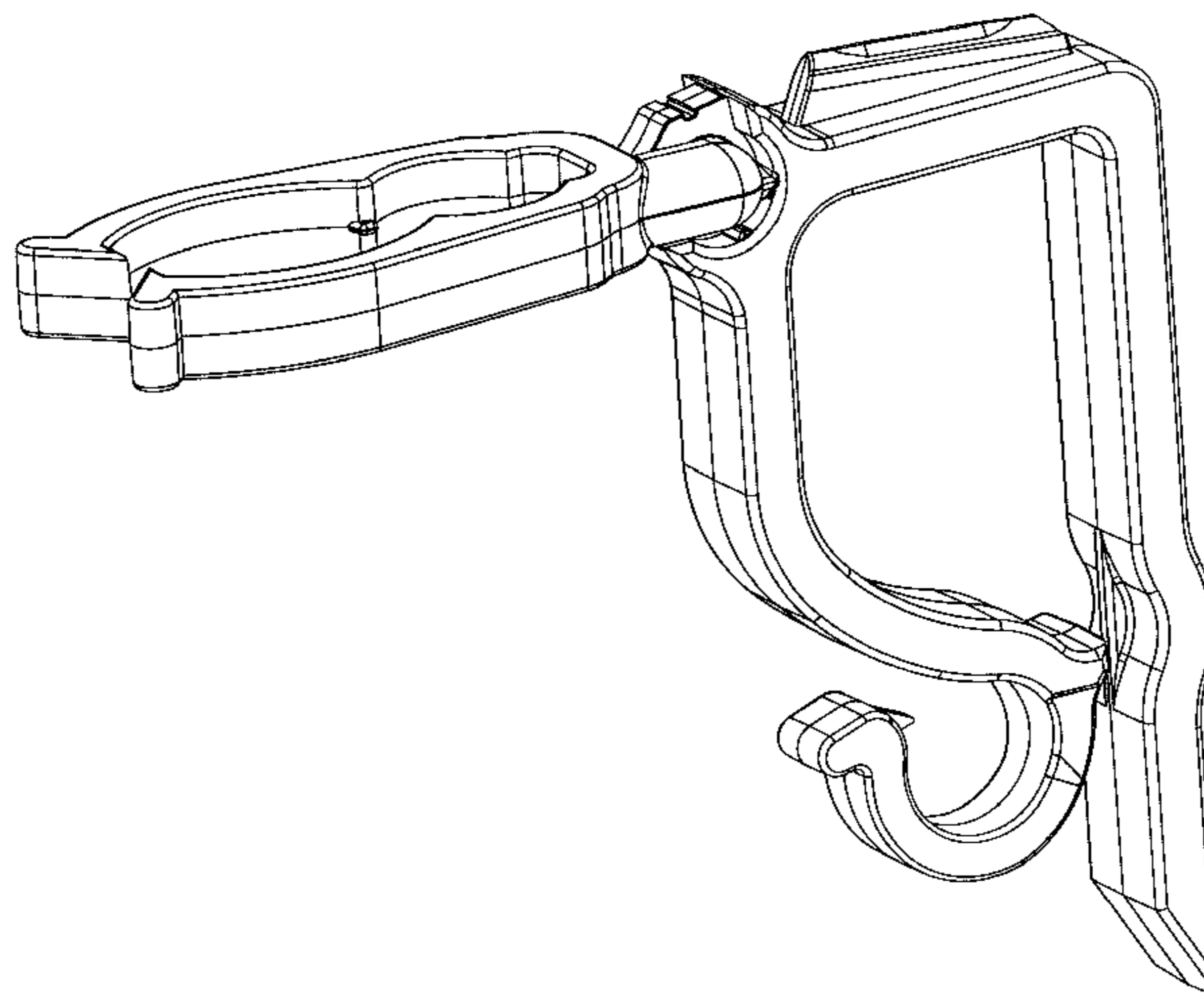
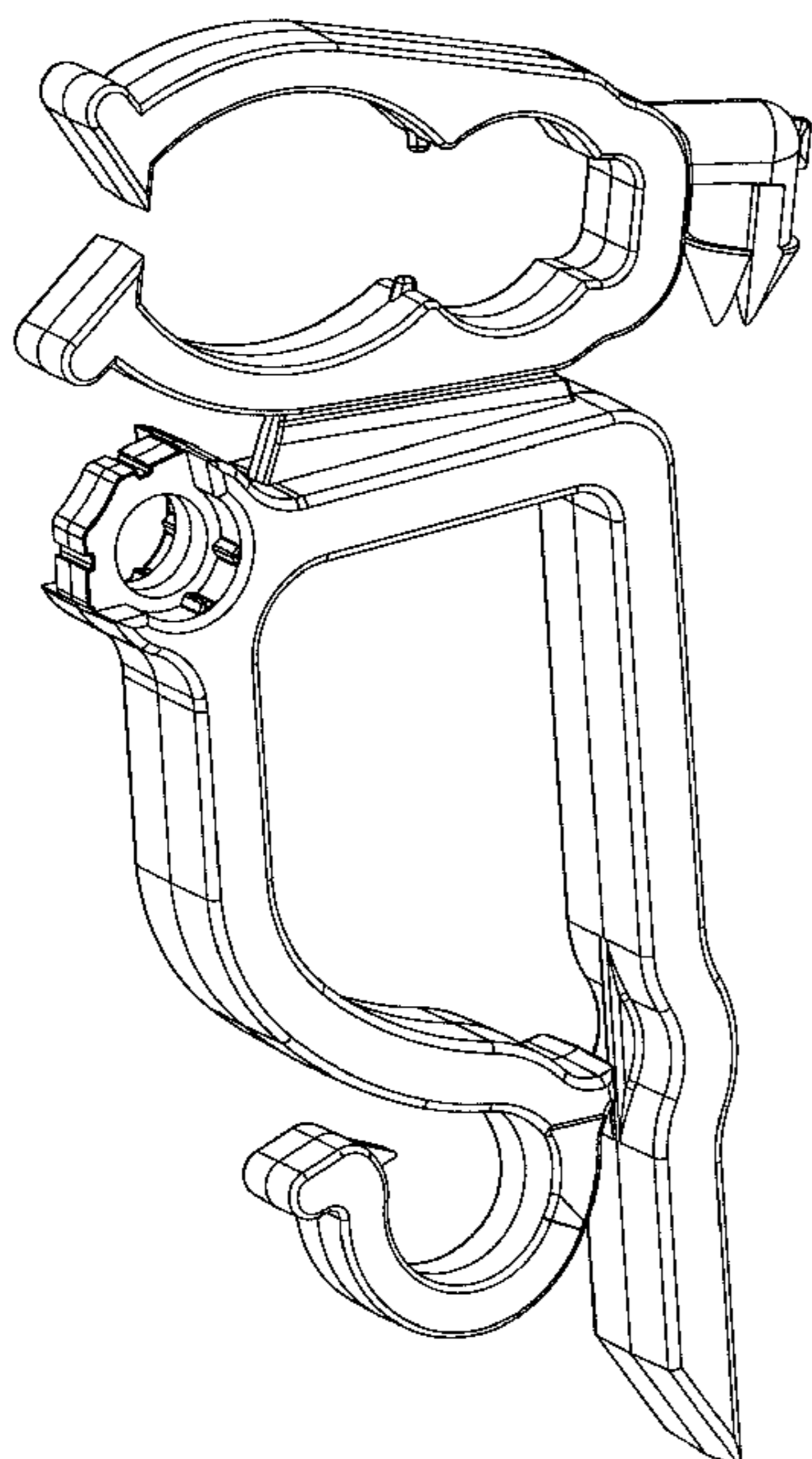
FIG. 6 is a rear view thereof;

FIG. 7 is a perspective view thereof;

FIG. 8 perspective view of our clip for holding decorative lights in which the light holding portion has been broken away and repositioned on the clamp portion of the clip for attachment to a gutter; and,

FIG. 9 is a perspective view of our clip for holding decorative lights in which the light holding portion has been broken away and repositioned on the clamp portion of the clip for attachment to a shingle.

**1 Claim, 9 Drawing Sheets**



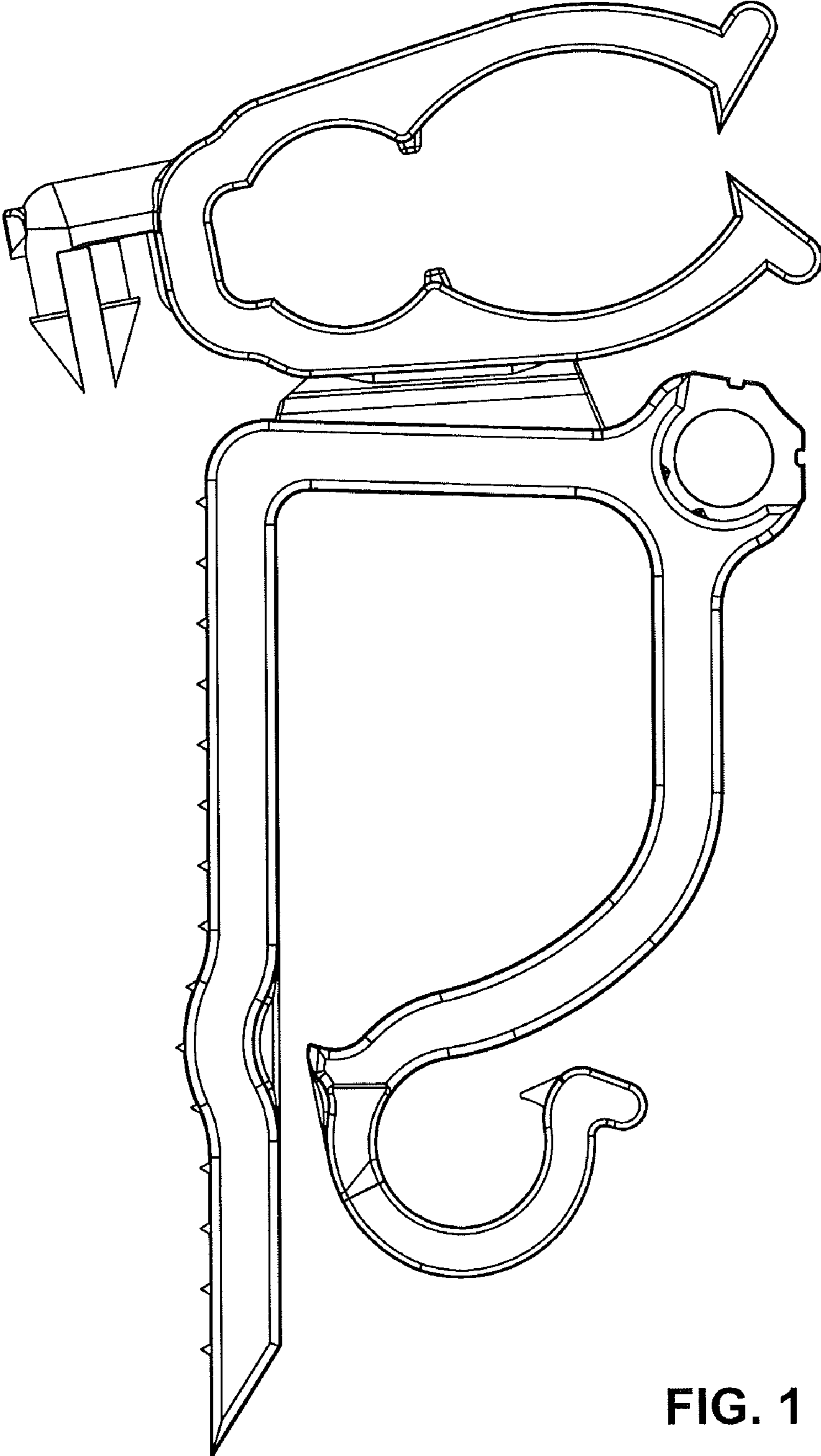
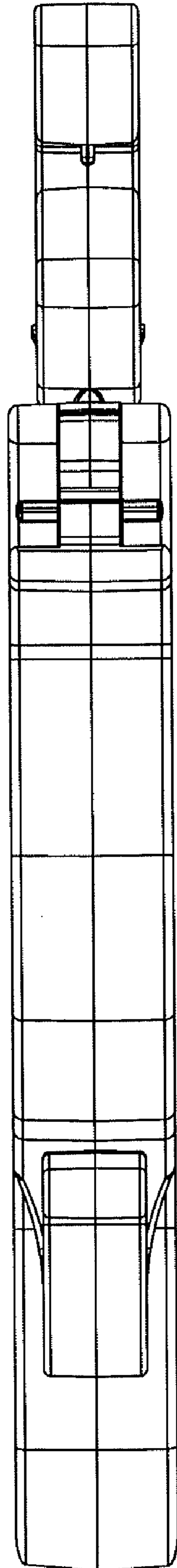


FIG. 1



**FIG. 2**

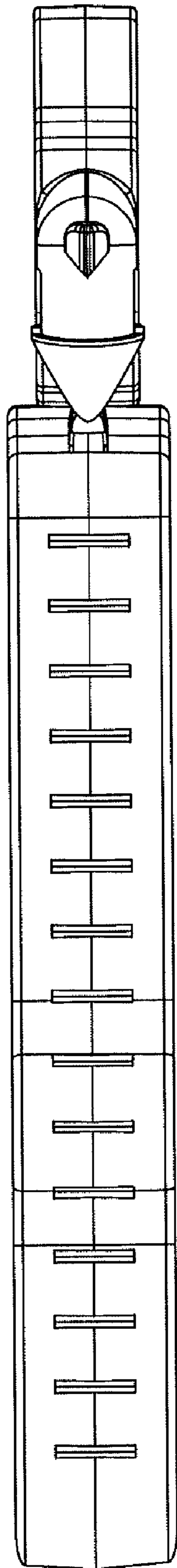


FIG. 3

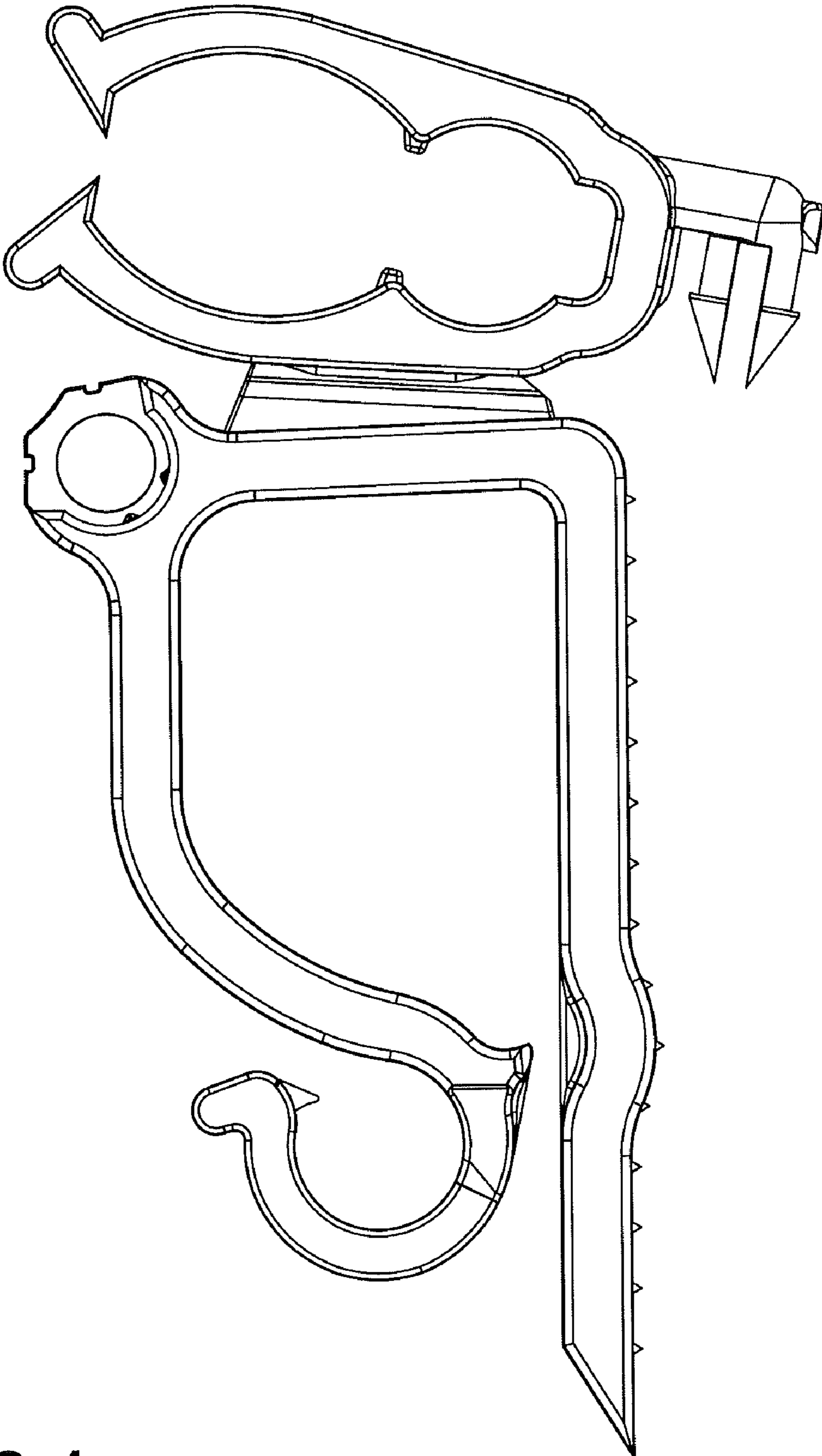
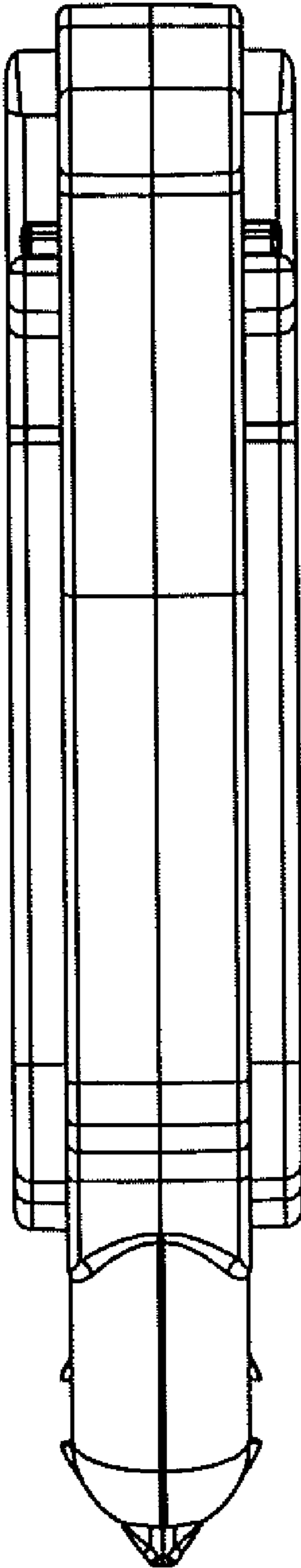
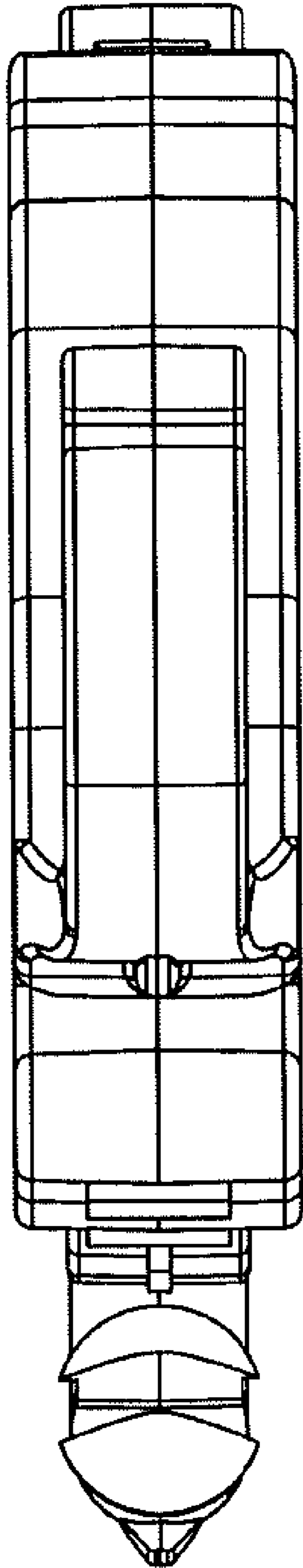


FIG. 4



**FIG. 5**





**FIG. 6**

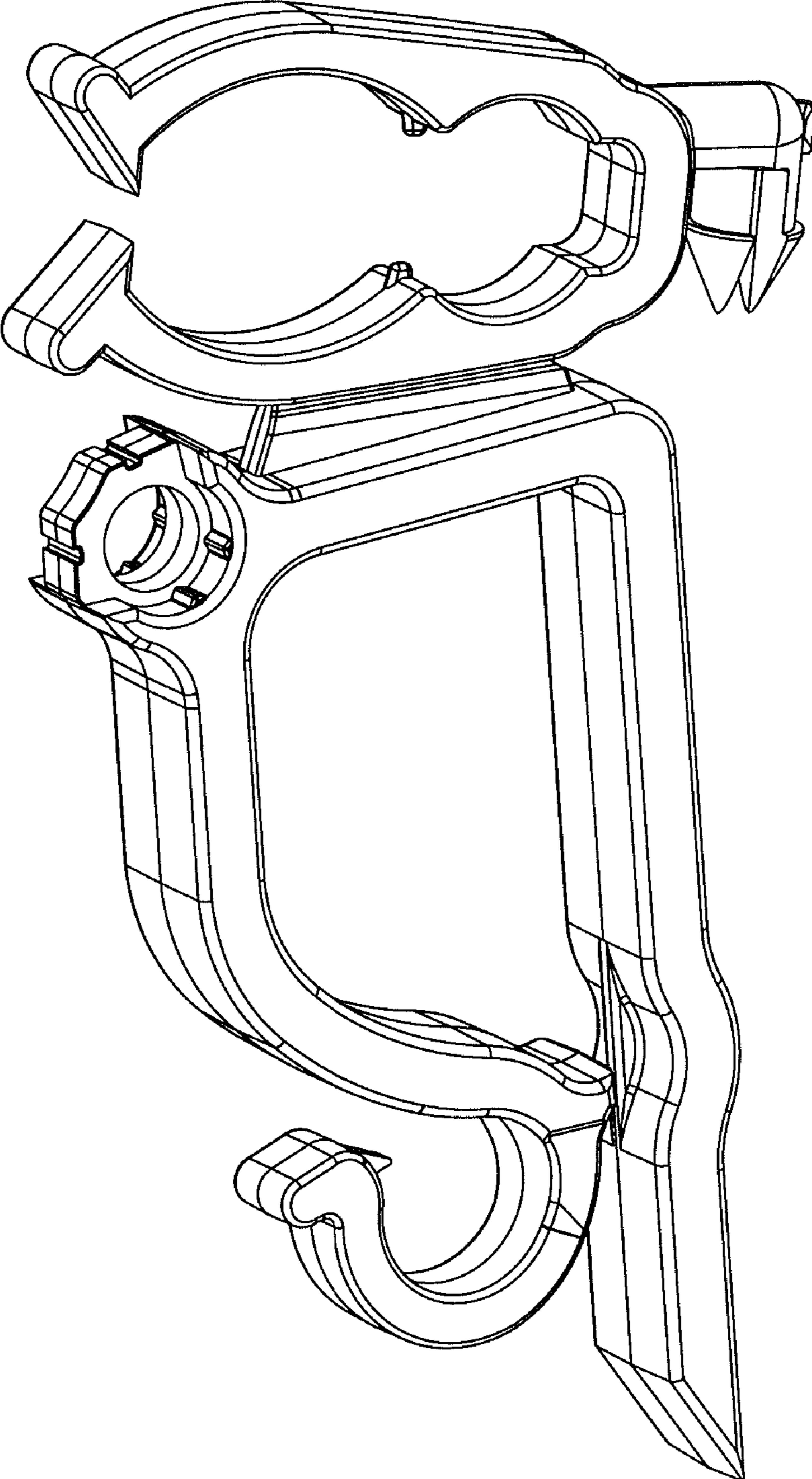


FIG. 7



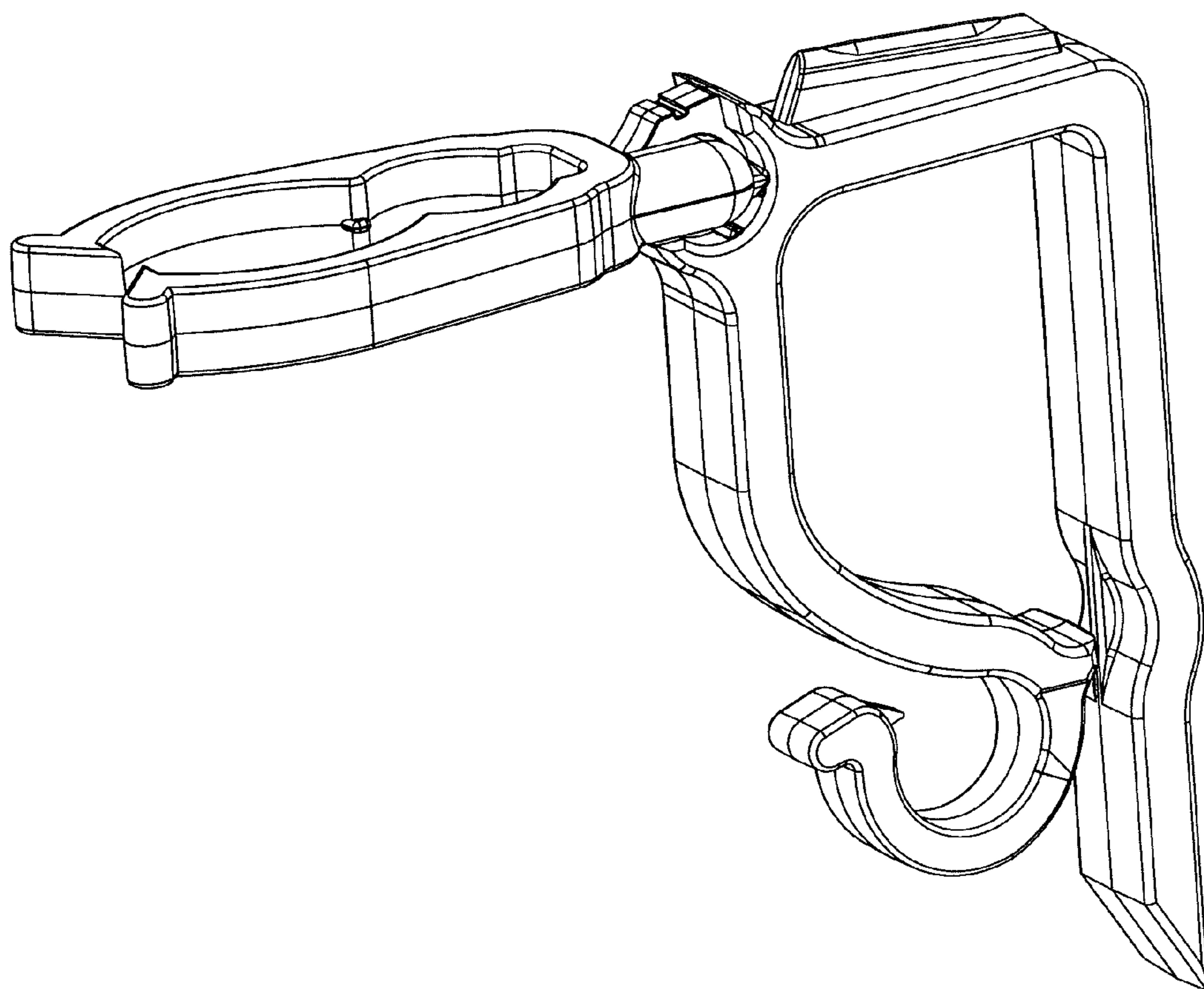


FIG. 8

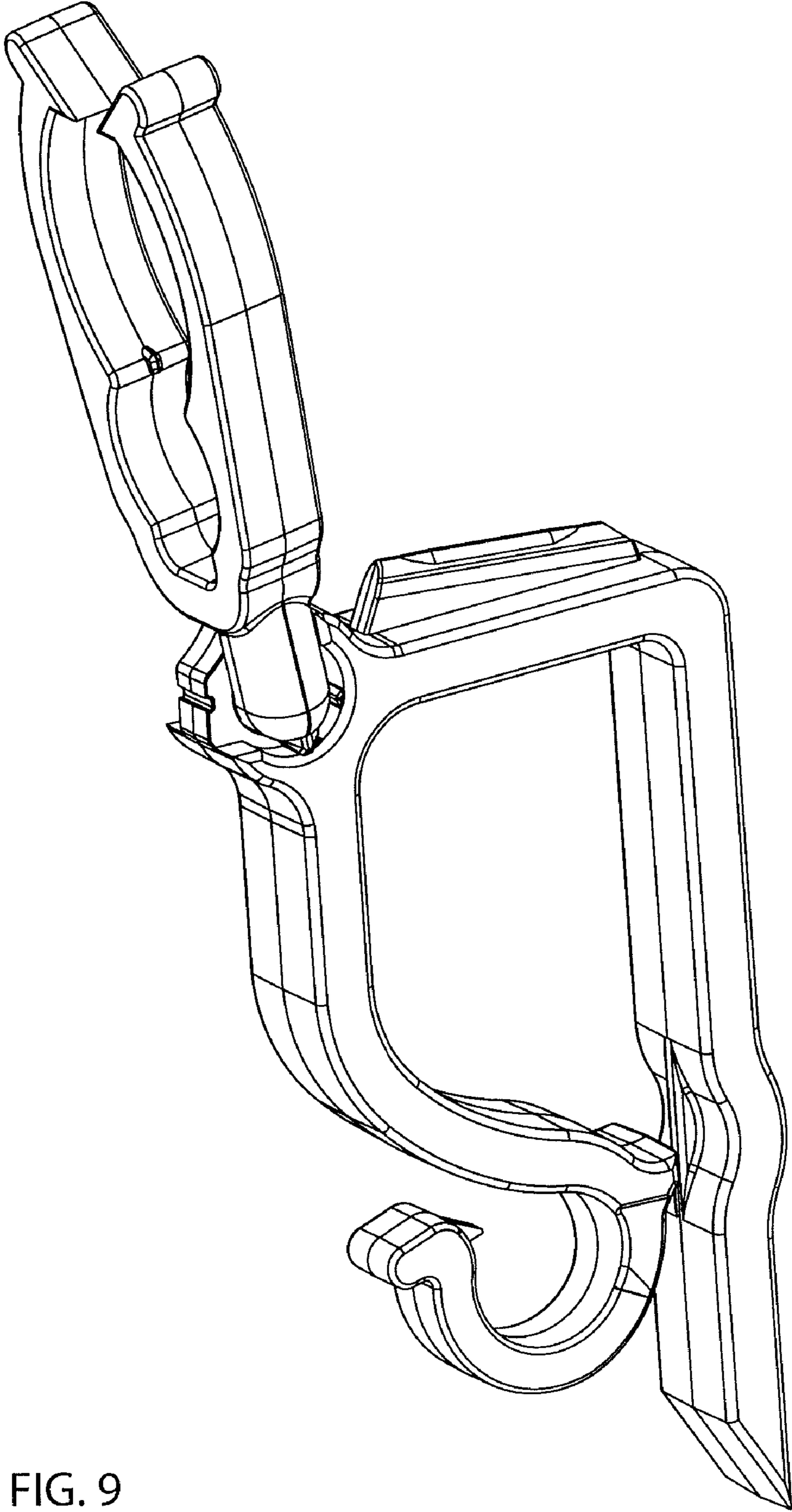


FIG. 9