



US00D671821S

(12) **United States Design Patent**  
**Anzelmo**

(10) **Patent No.:** **US D671,821 S**

(45) **Date of Patent:** **\*\* Dec. 4, 2012**

(54) **COUNTERTOP SUPPORT BRACKET**

(76) Inventor: **Thomas J. Anzelmo**, Schaumburg, IL  
(US)

(\*\*) Term: **14 Years**

(21) Appl. No.: **29/388,492**

(22) Filed: **Mar. 29, 2011**

(51) **LOC (9) Cl.** ..... **08-05**

(52) **U.S. Cl.** ..... **D8/380**

(58) **Field of Classification Search** ..... D8/354,  
D8/349, 380; 248/200, 207, 210, 235, 242,  
248/246, 230.6, 262, 218.4, 640, 674; 182/186.9,  
182/82, 117, 150

See application file for complete search history.

(56) **References Cited**

**U.S. PATENT DOCUMENTS**

3,041,033	A	6/1962	Schwartz	
3,158,225	A *	11/1964	Almgren	182/87
3,198,470	A	8/1965	Owens	
3,376,681	A *	4/1968	Demaison	52/508
4,088,290	A *	5/1978	Novello	248/118
4,382,571	A	5/1983	Horen	
4,542,831	A *	9/1985	Dazza	211/90.01

D293,203	S *	12/1987	Hertensteiner	D8/354
5,303,891	A *	4/1994	Powers	248/218.4
5,538,206	A *	7/1996	Sather	248/27.1
6,053,280	A *	4/2000	Smith et al.	182/82
7,360,627	B2	4/2008	Scott	
D665,656	S *	8/2012	Anzelmo	D8/380

\* cited by examiner

*Primary Examiner* — Robert M Spear

*Assistant Examiner* — Rashida C McCoy

(74) *Attorney, Agent, or Firm* — Cook Alex Ltd.

(57) **CLAIM**

The ornamental design for a countertop support bracket, as shown and described.

**DESCRIPTION**

FIG. 1 is a perspective view of a countertop support bracket according to the present invention.

FIG. 2 is a top plan view thereof.

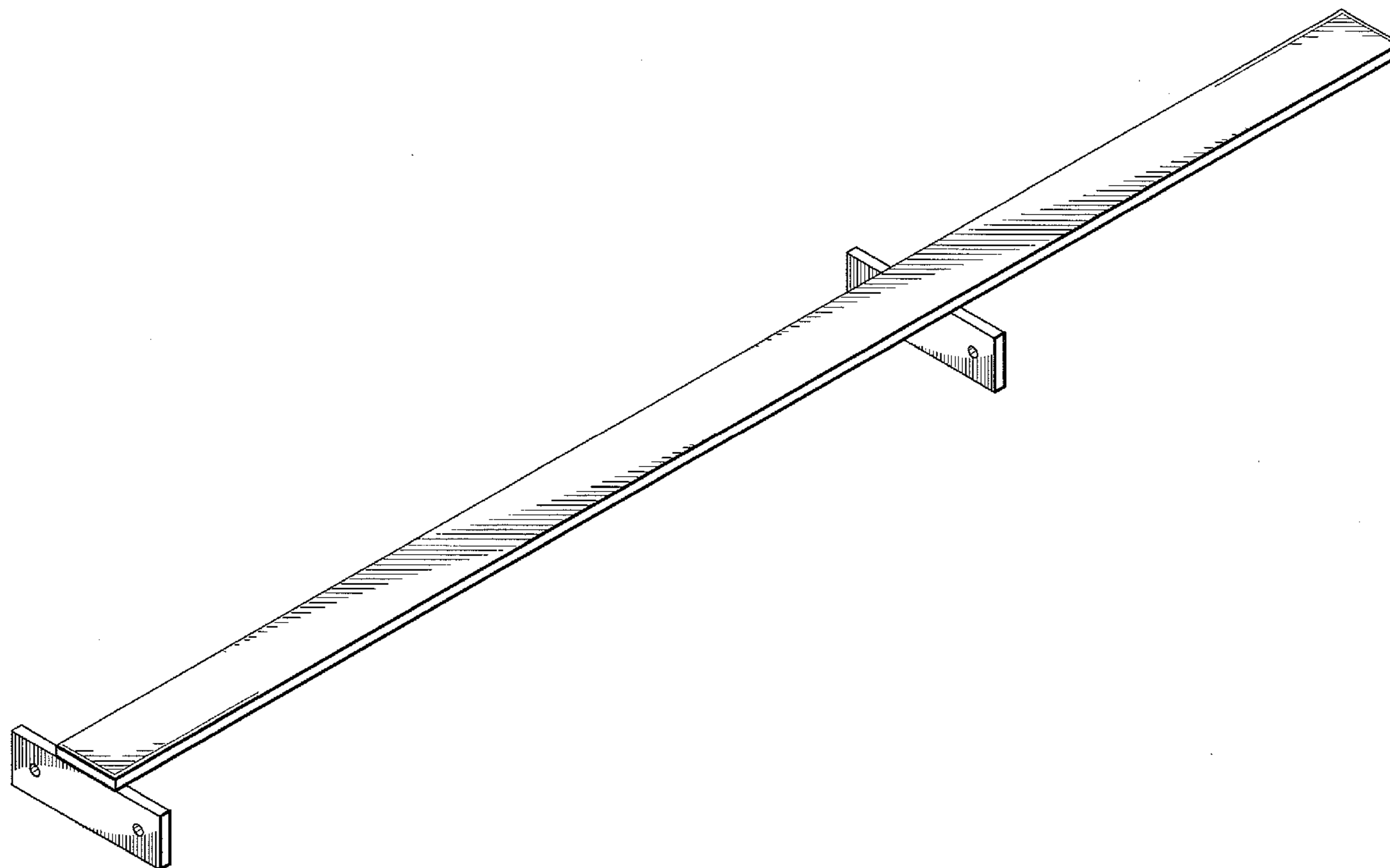
FIG. 3 is a bottom plan view thereof.

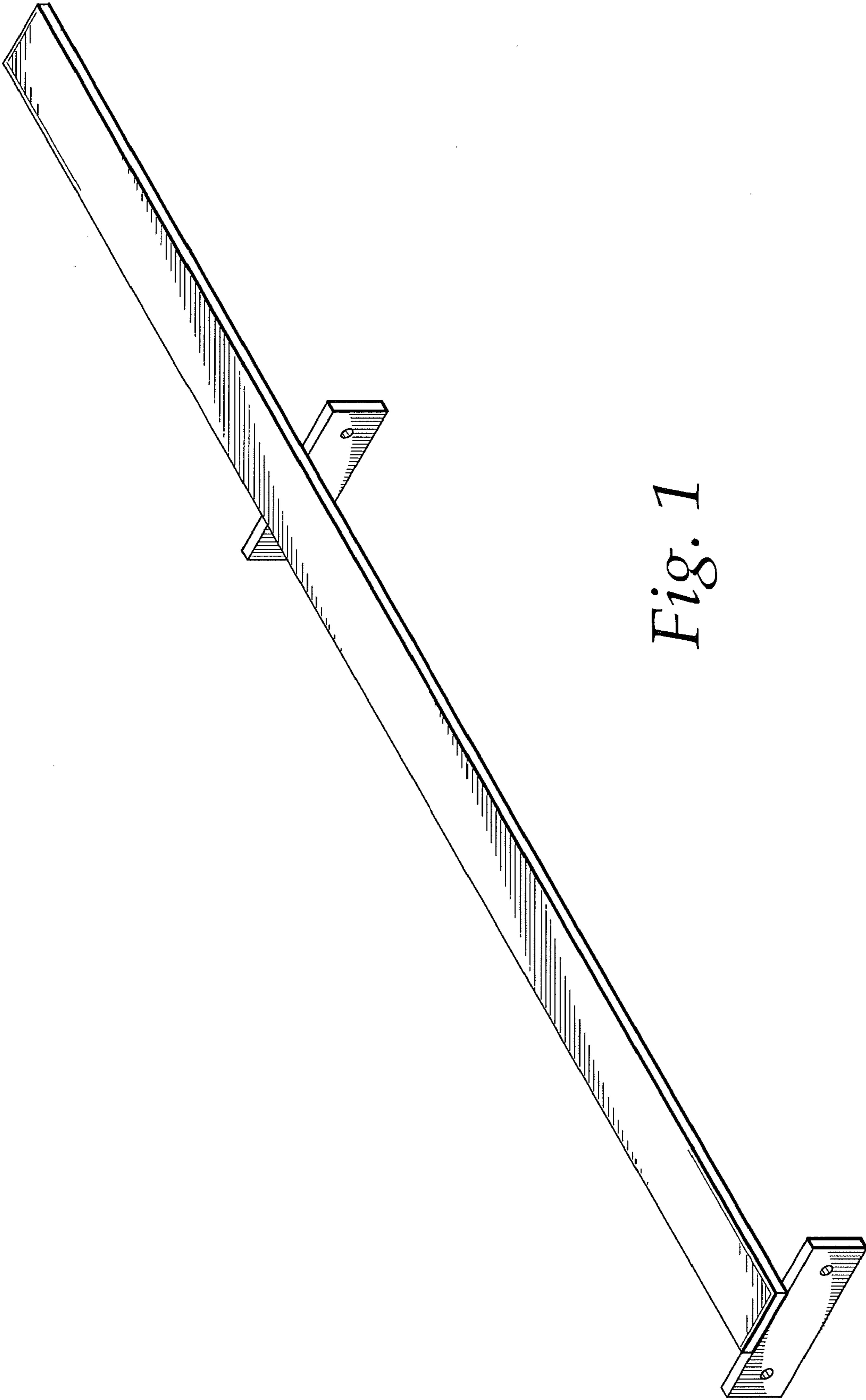
FIG. 4 is a left side elevation view thereof.

FIG. 5 is a right side elevation view thereof; and,

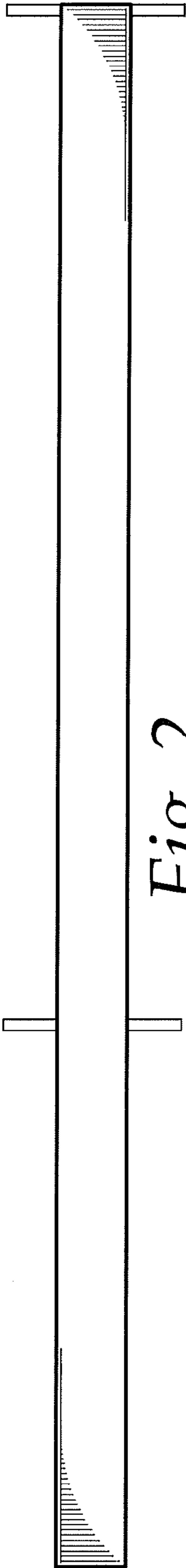
FIG. 6 is a front elevation view thereof. A rear elevation view would be the same as FIG. 6.

**1 Claim, 2 Drawing Sheets**

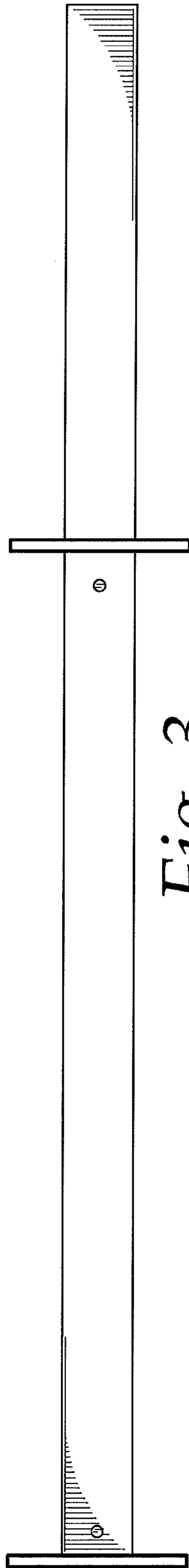




*Fig. 1*



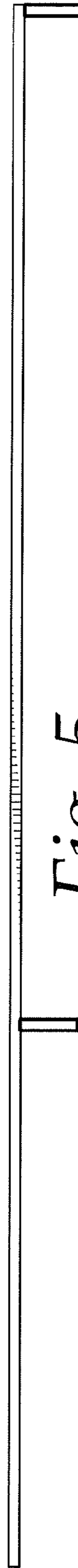
*Fig. 2*



*Fig. 3*



*Fig. 4*



*Fig. 5*



*Fig. 6*