



US00D671819S

(12) **United States Design Patent**
Kwok et al.

(10) **Patent No.:** **US D671,819 S**
(45) **Date of Patent:** **** Dec. 4, 2012**

(54) **ROBE HOOK**

(75) Inventors: **Celine Kwok**, Indianapolis, IN (US);
Sara Linginfelter, Indianapolis, IN (US)

(73) Assignee: **Masco Corporation of Indiana**,
Indianapolis, IN (US)

(**) Term: **14 Years**

(21) Appl. No.: **29/418,114**

(22) Filed: **Apr. 12, 2012**

(51) **LOC (9) Cl.** **08-05**

(52) **U.S. Cl.** **D8/367; D6/323**

(58) **Field of Classification Search** D8/372,
D8/367, 354, 349; D6/323, 320, 315, 324,
D6/327, 328, 300; 211/1, 13.1, 85.3, 181.1,
211/183; 223/85-98

See application file for complete search history.

(56) **References Cited**

U.S. PATENT DOCUMENTS

D472,059 S *	3/2003	Hoernig	D6/323
D472,061 S *	3/2003	Hoernig	D6/323
D473,453 S *	4/2003	Goodman et al.	D8/367
D526,132 S *	8/2006	Solowiej	D6/323

D526,494 S *	8/2006	Fields	D6/323
D535,110 S *	1/2007	Hoernig	D6/323
D563,109 S *	3/2008	Krumpe et al.	D6/323
D565,937 S *	4/2008	Tsai	D8/363
D568,621 S *	5/2008	Krumpe et al.	D6/323
D580,186 S *	11/2008	Krumpe et al.	D6/323
D630,027 S *	1/2011	Romero	D6/323

* cited by examiner

Primary Examiner — Cynthia Underwood

(74) *Attorney, Agent, or Firm* — Edgar A. Zarins; Nirav D. Parikh; Lora J. Graentzdoerffer

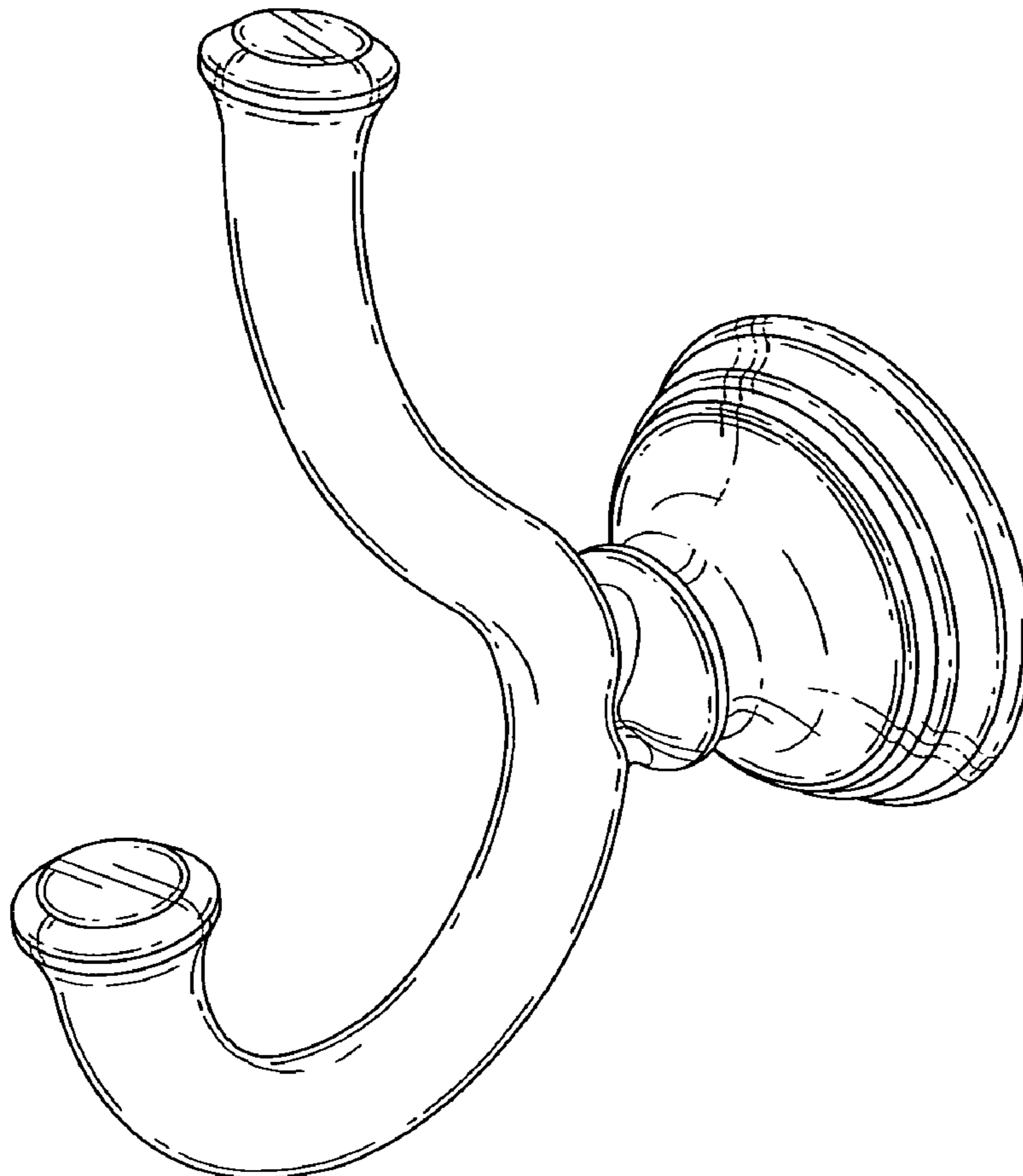
(57) **CLAIM**

The ornamental design for a robe hook, as shown and described.

DESCRIPTION

FIG. 1 is a perspective view of a robe hook showing our new design;
FIG. 2 is a top plan view thereof;
FIG. 3 is a right side view thereof;
FIG. 4 is a left side view thereof;
FIG. 5 is a front elevational view thereof;
FIG. 6 is a rear view thereof; and,
FIG. 7 is a bottom view thereof.

1 Claim, 3 Drawing Sheets



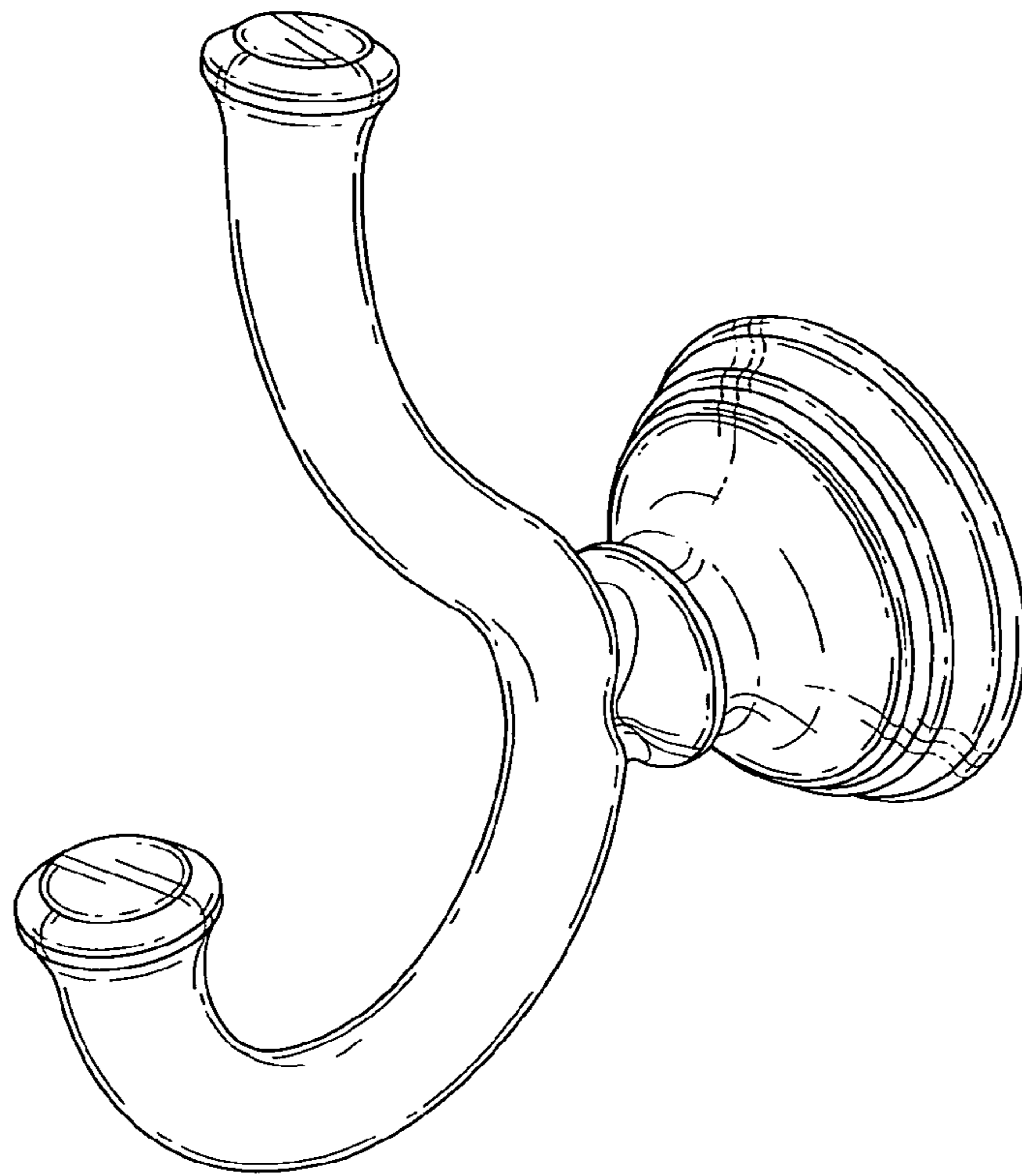


Fig-1

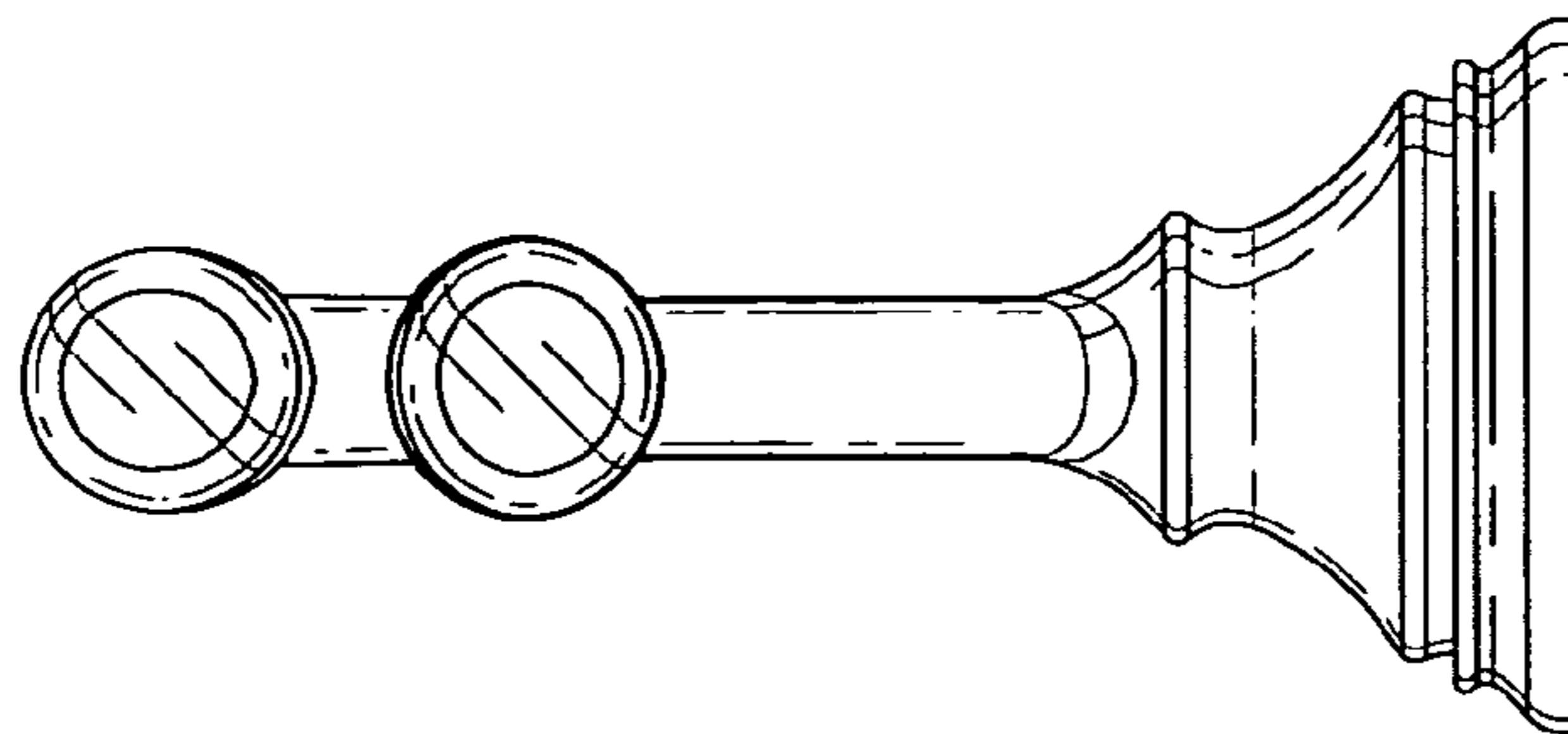


Fig-2

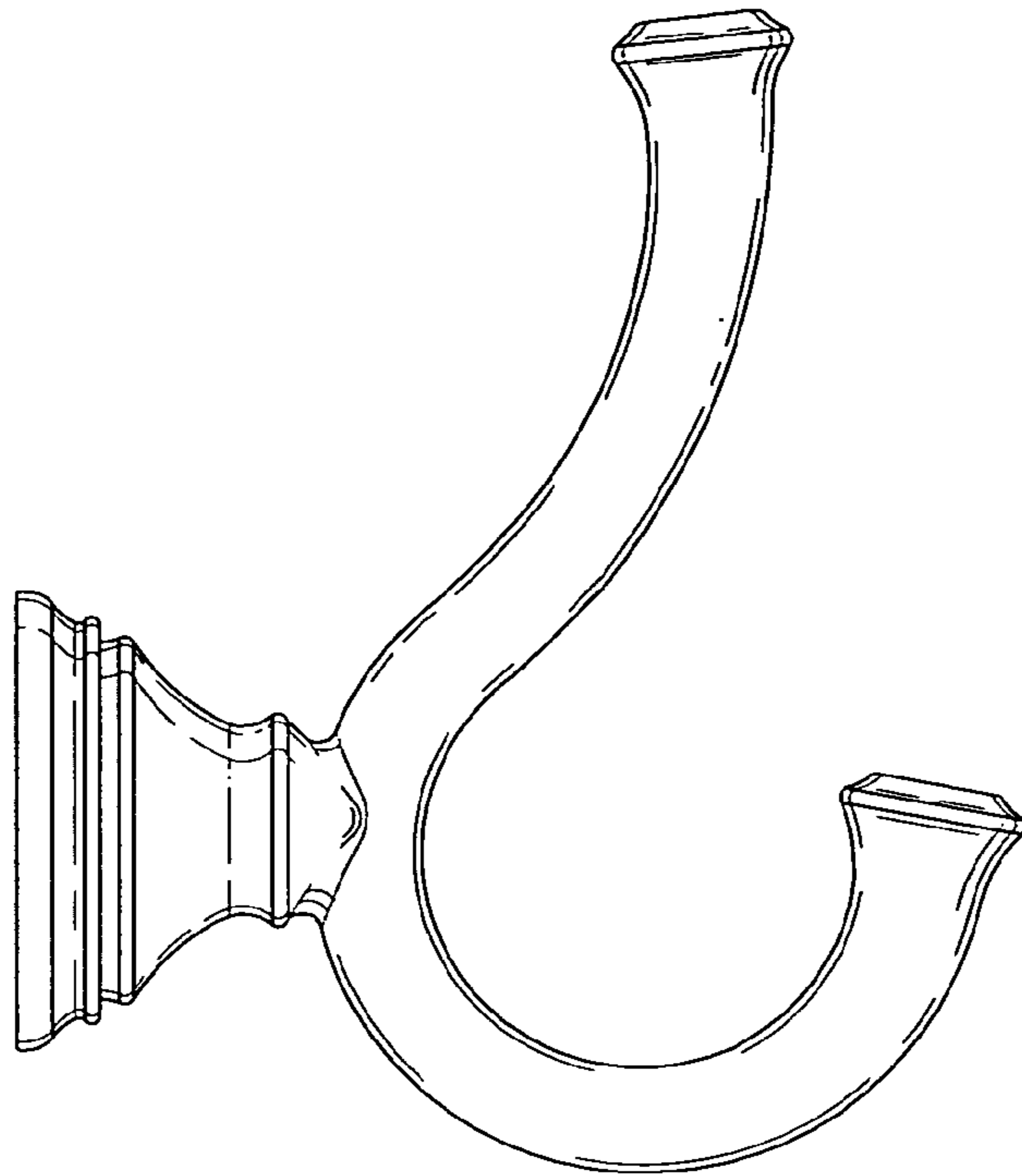


Fig-3

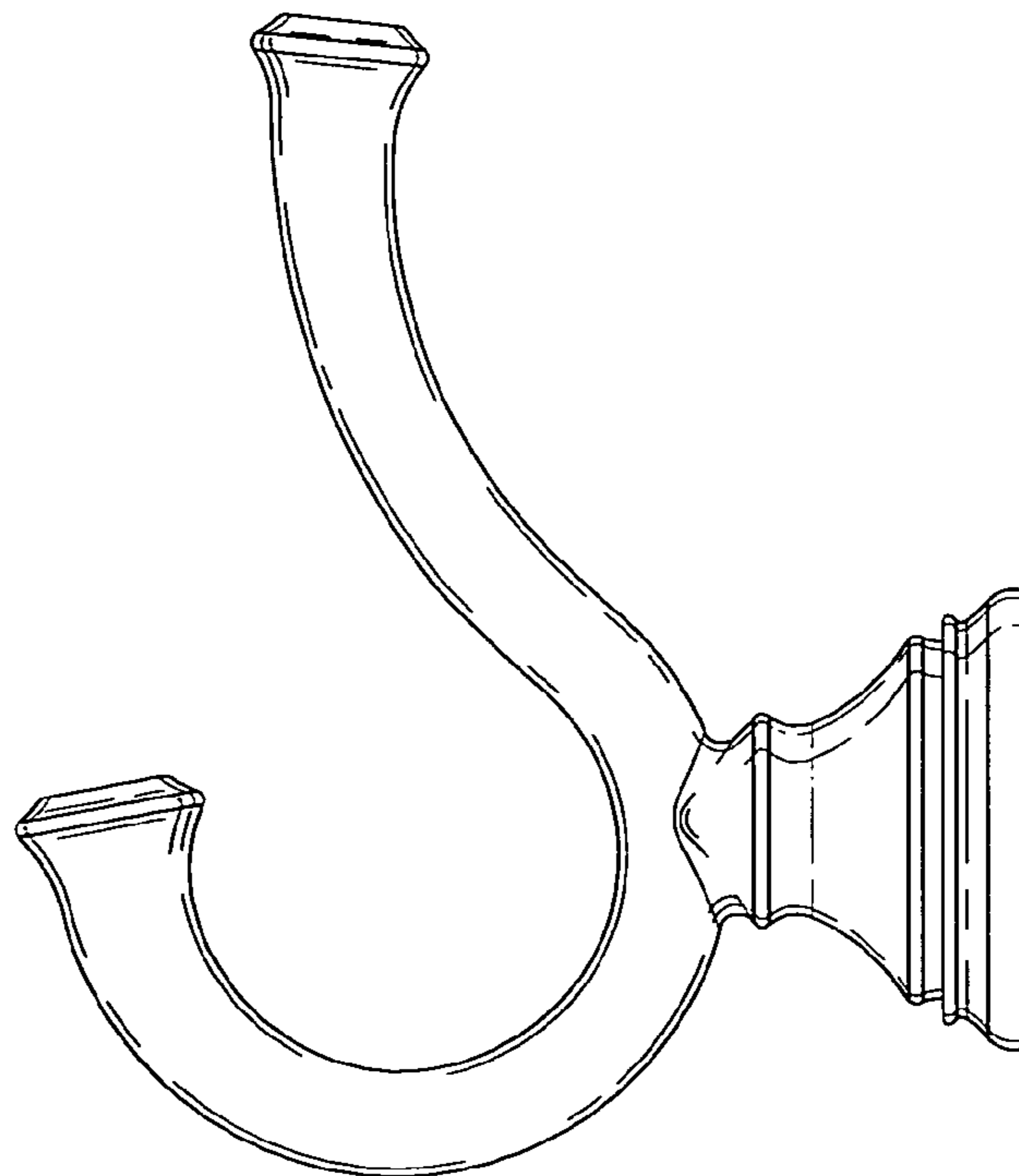


Fig-4

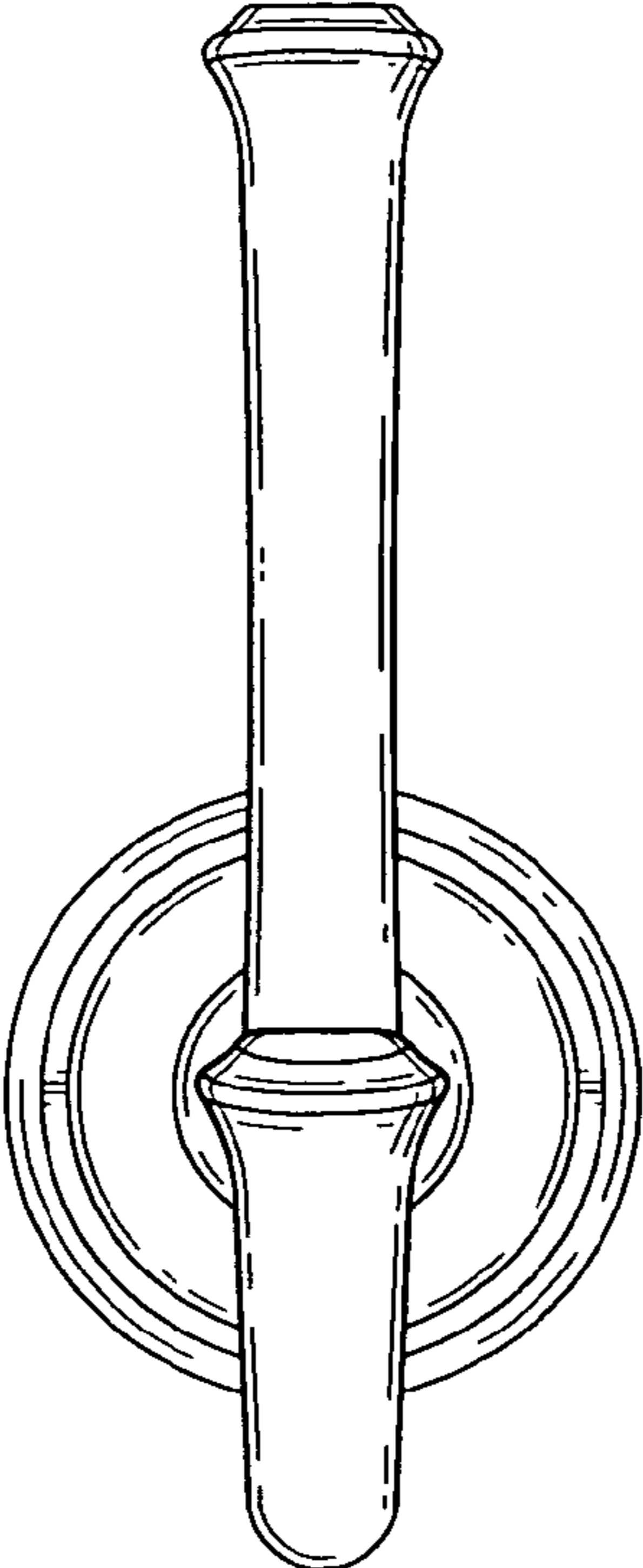


Fig-5

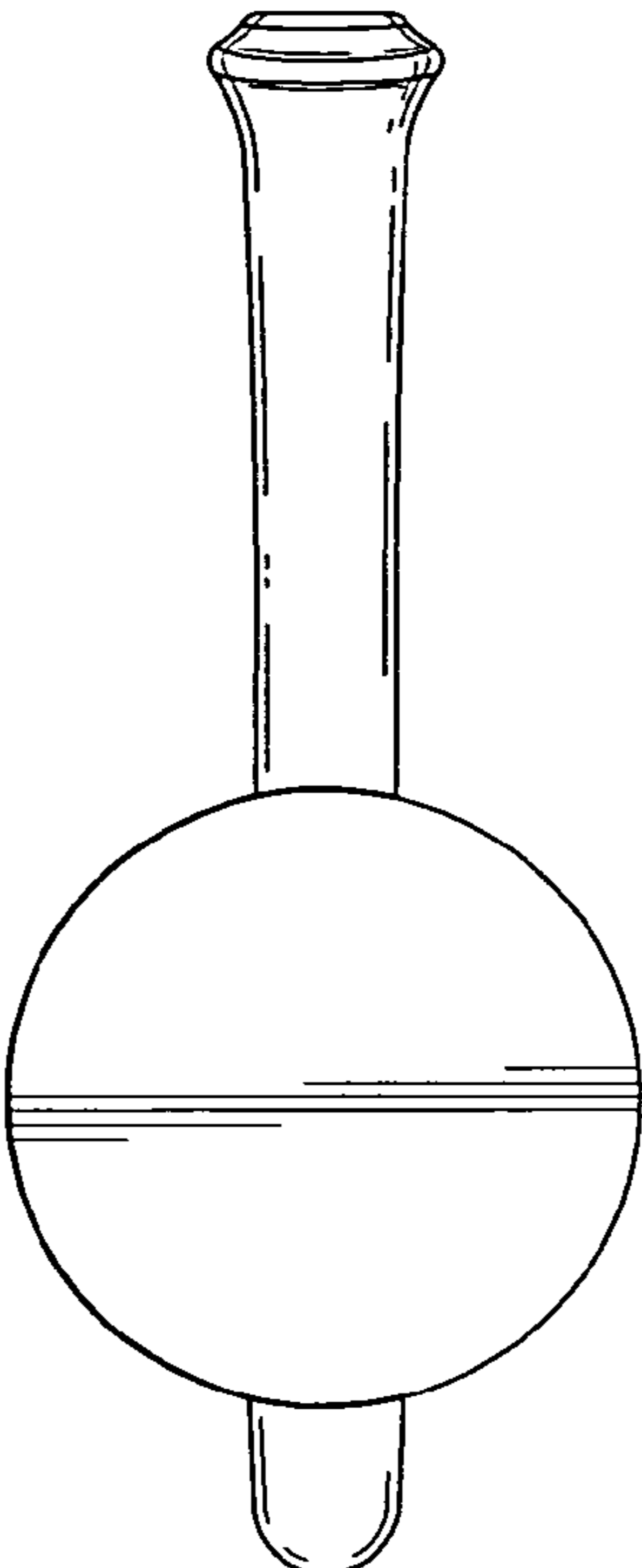


Fig-6

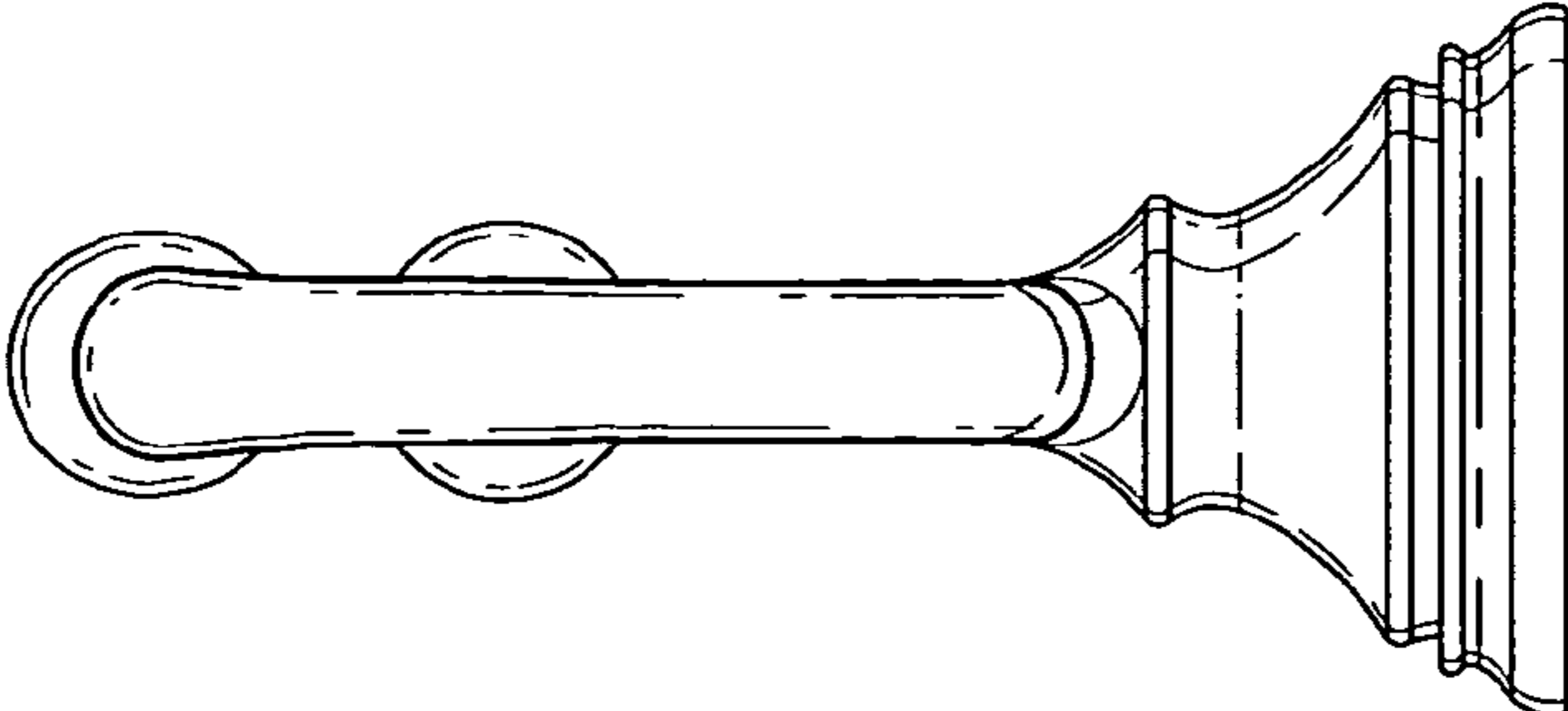


Fig-7