



US00D671817S

(12) **United States Design Patent**
Brown

(10) **Patent No.:** **US D671,817 S**

(45) **Date of Patent:** **** Dec. 4, 2012**

(54) **WIRE ORGANIZER**

(76) Inventor: **Steve J. Brown**, Austin, TX (US)

(**) Term: **14 Years**

(21) Appl. No.: **29/387,688**

(22) Filed: **Mar. 16, 2011**

Related U.S. Application Data

(63) Continuation-in-part of application No. 29/350,503, filed on Nov. 18, 2009, now abandoned.

(51) **LOC (9) Cl.** **08-05**

(52) **U.S. Cl.** **D8/356**

(58) **Field of Classification Search** D8/356,
D8/353, 354, 369.1; D9/425; D13/153;
D19/75, 90; 174/60, 72 C, 656

See application file for complete search history.

(56) **References Cited**

U.S. PATENT DOCUMENTS

2,763,707	A *	9/1956	Soderberg	174/50
D229,395	S *	11/1973	Chang	D9/425
D233,628	S *	11/1974	Dunning et al.	D14/435
3,851,938	A *	12/1974	McCowan et al.	312/117
4,123,128	A *	10/1978	Abele	312/244
D264,145	S *	5/1982	Outcalt	D3/295
4,485,930	A *	12/1984	Savelkouls	211/74
D308,599	S *	6/1990	Long et al.	D6/629
5,325,975	A *	7/1994	Brown et al.	211/189

D360,898	S *	8/1995	Huerto et al.	D19/90
5,883,998	A *	3/1999	Stevens et al.	385/134
D419,442	S *	1/2000	McClung et al.	D9/425
D430,013	S *	8/2000	Shurtleff et al.	D9/749
D436,836	S *	1/2001	Erwin	D8/354
6,338,225	B1 *	1/2002	Hayes	52/27
D476,172	S *	6/2003	Bourne, Sr.	D6/467
D561,020	S *	2/2008	Kessell et al.	D9/425
7,531,745	B1 *	5/2009	Gretz	174/66
D624,804	S *	10/2010	Wellard	D8/354
D635,099	S *	3/2011	Kramer	D13/152
D641,234	S *	7/2011	Salin	D9/425
2009/0194311	A1 *	8/2009	Merrill	174/60

* cited by examiner

Primary Examiner — Karen S Acker

(74) *Attorney, Agent, or Firm* — David Allen Hall

(57) **CLAIM**

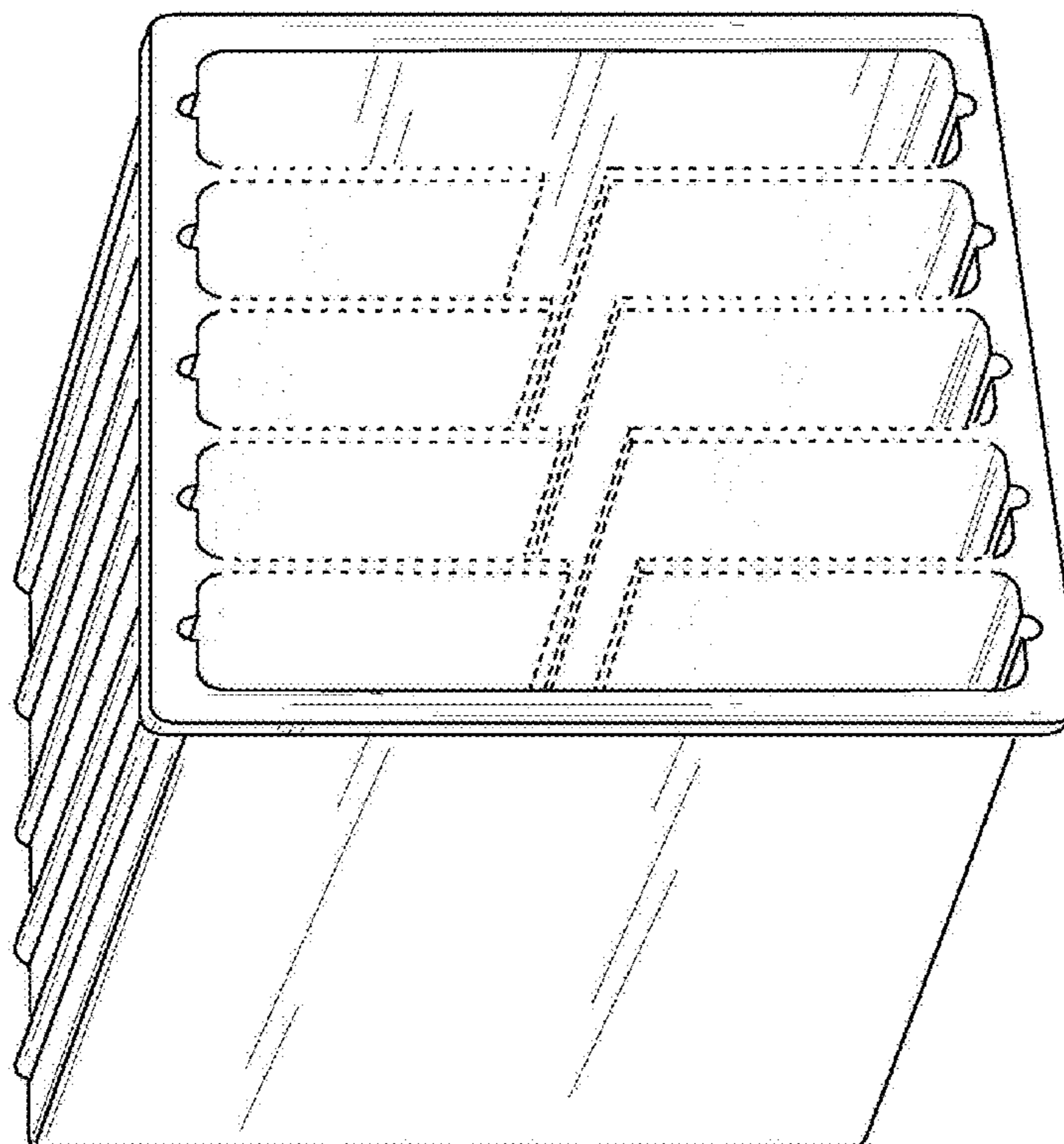
The ornamental design for a wire organizer, as shown and described.

DESCRIPTION

FIG. 1 is a top orthogonal view of the claimed wire organizer; FIG. 2 is a top plan view of the claimed wire organizer; FIG. 3 is a bottom plan view of the claimed wire organizer; FIG. 4 is a front elevational view, the rear side being a mirror image; and, FIG. 5 is a left side elevational view, the right side being a mirror image.

The broken lines represent environmental subject matter that forms no part of the claim.

1 Claim, 3 Drawing Sheets



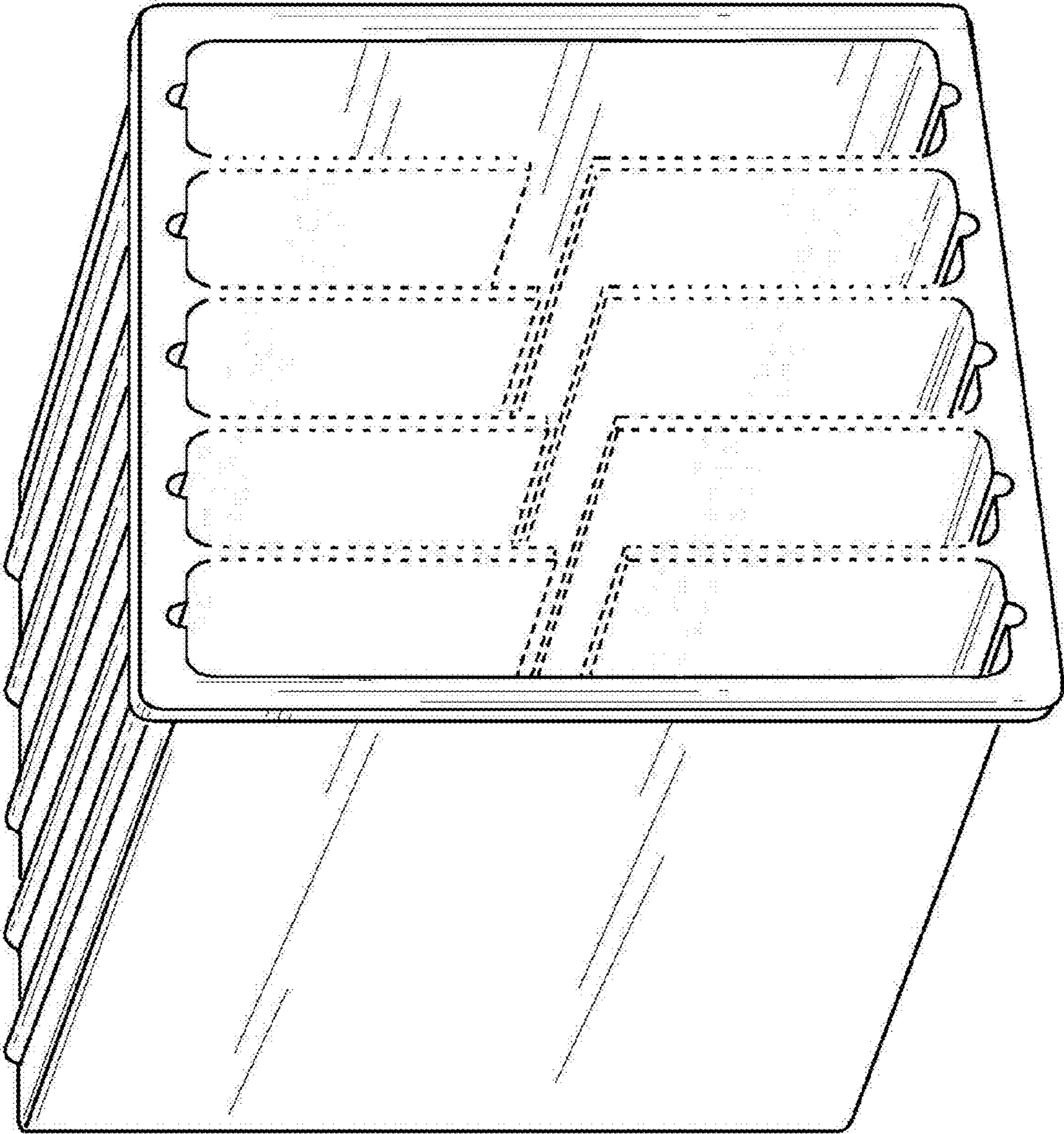


Fig. 1

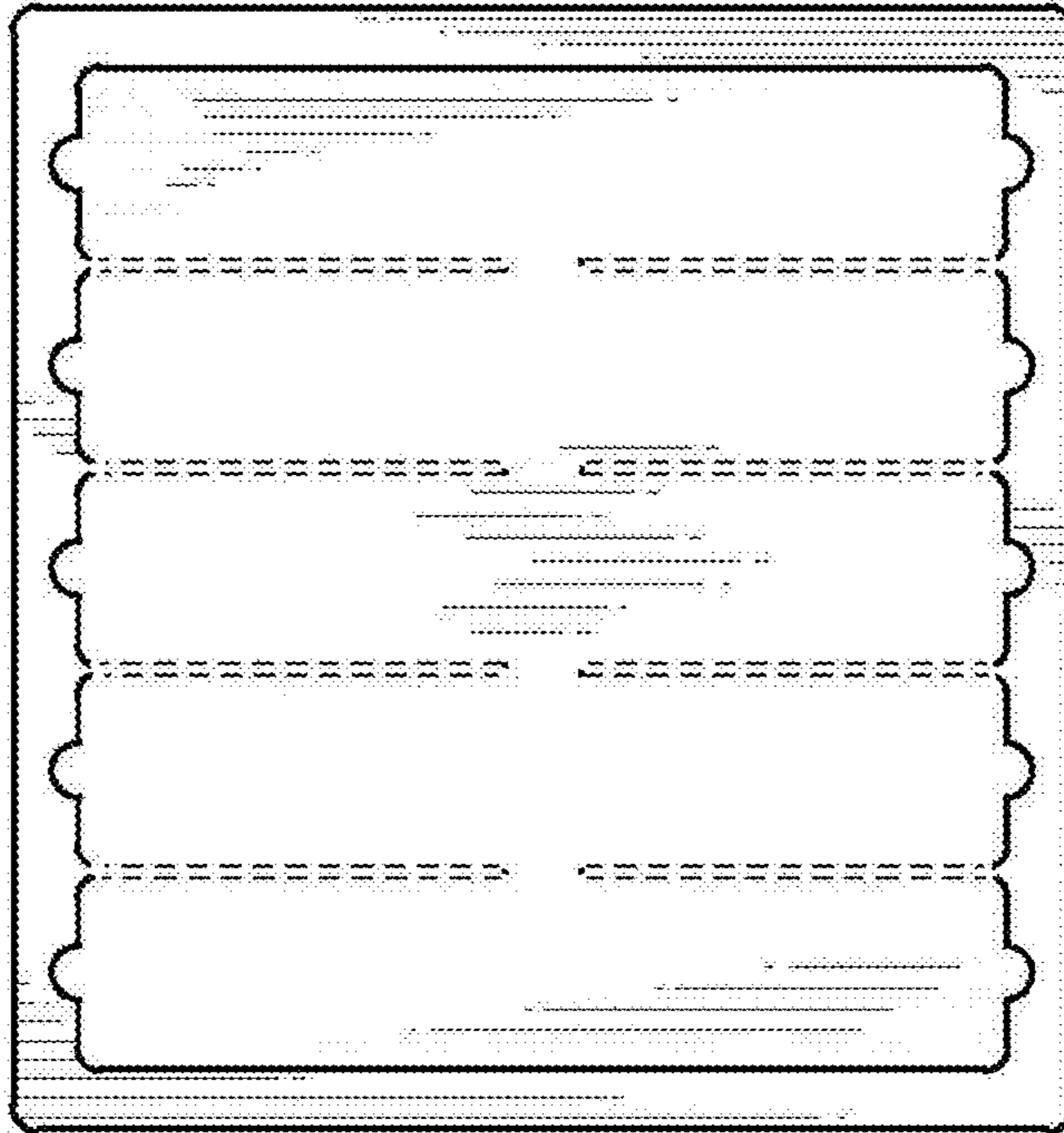


Fig. 2

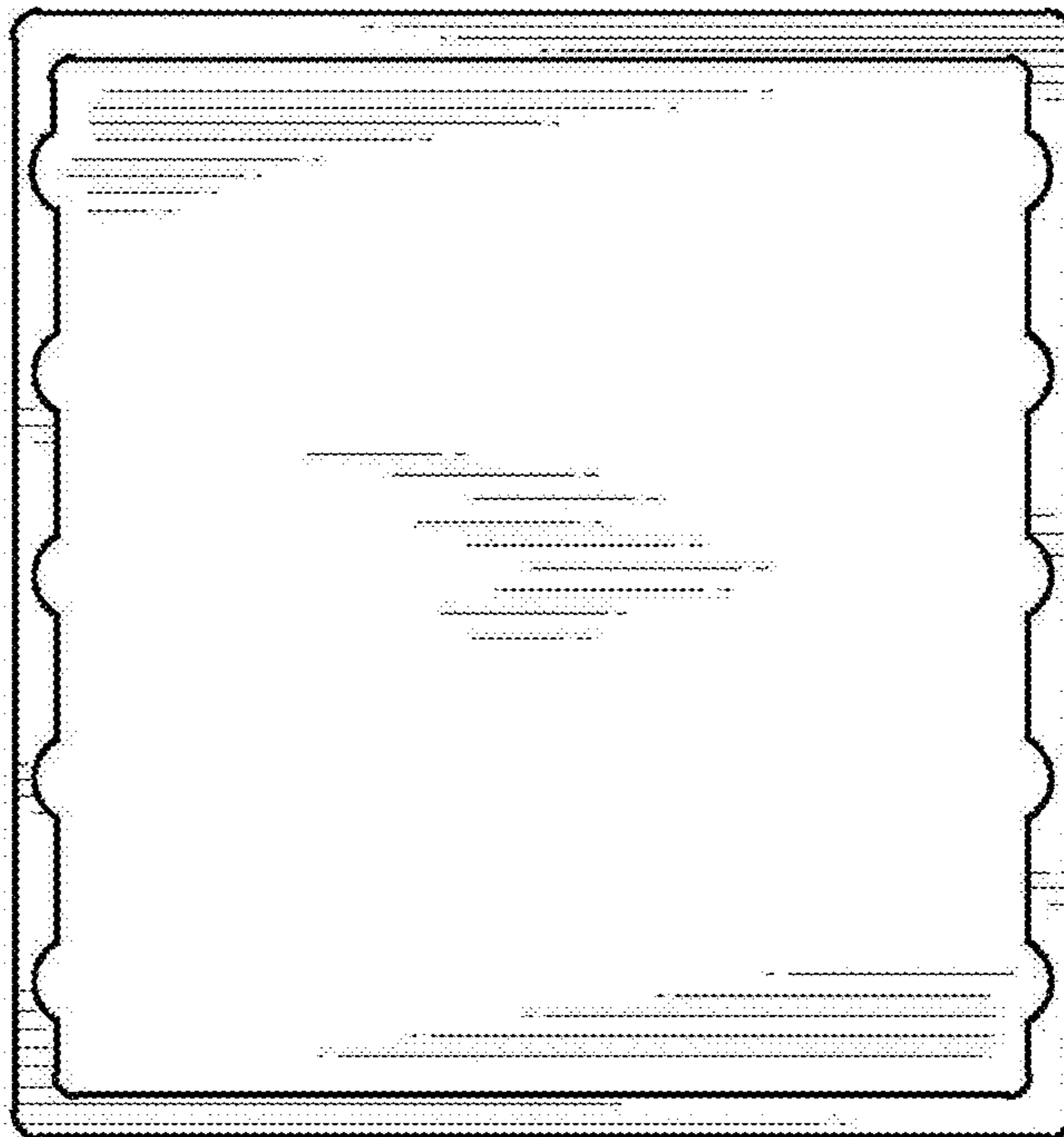


Fig. 3

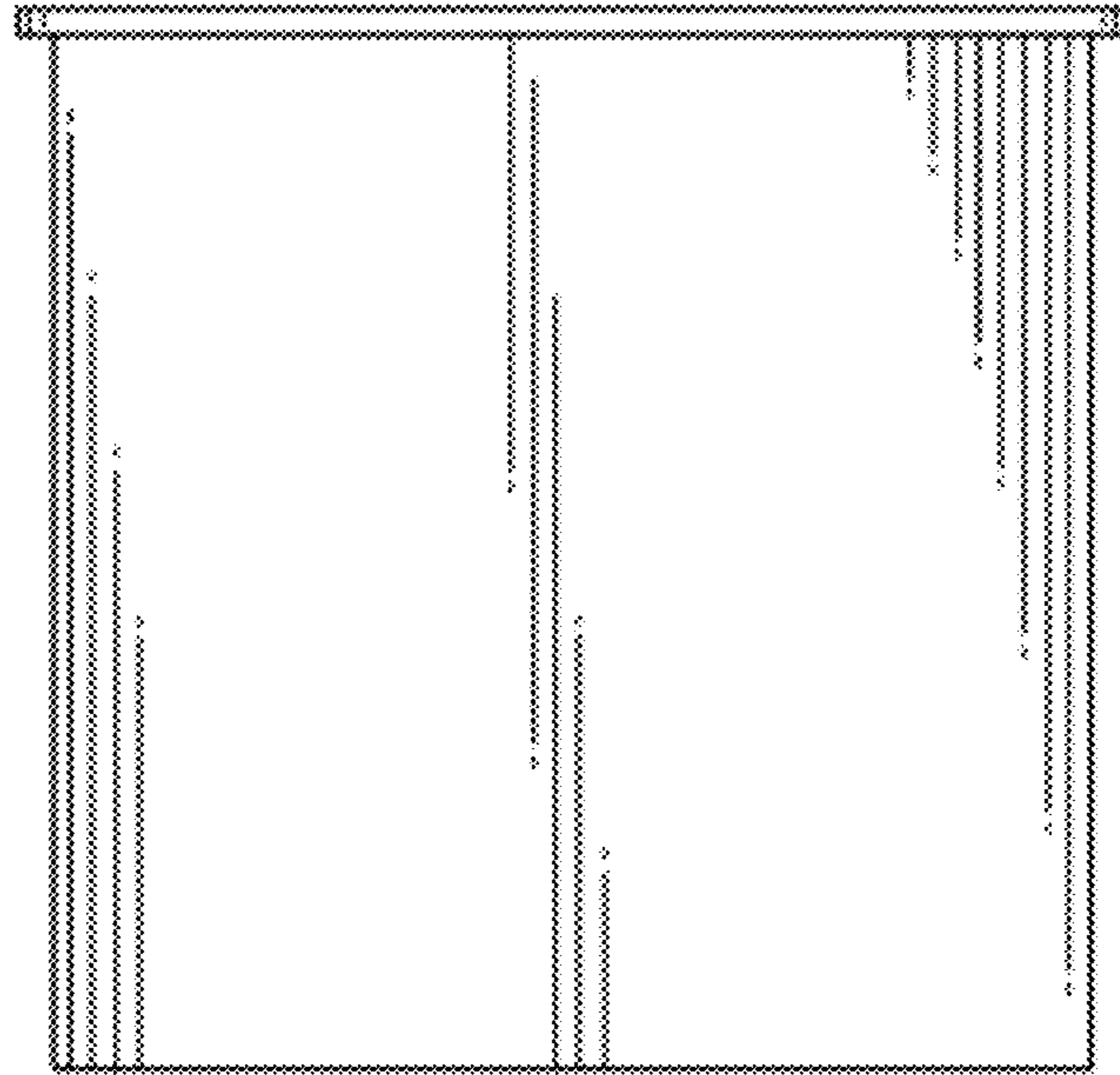


Fig. 4

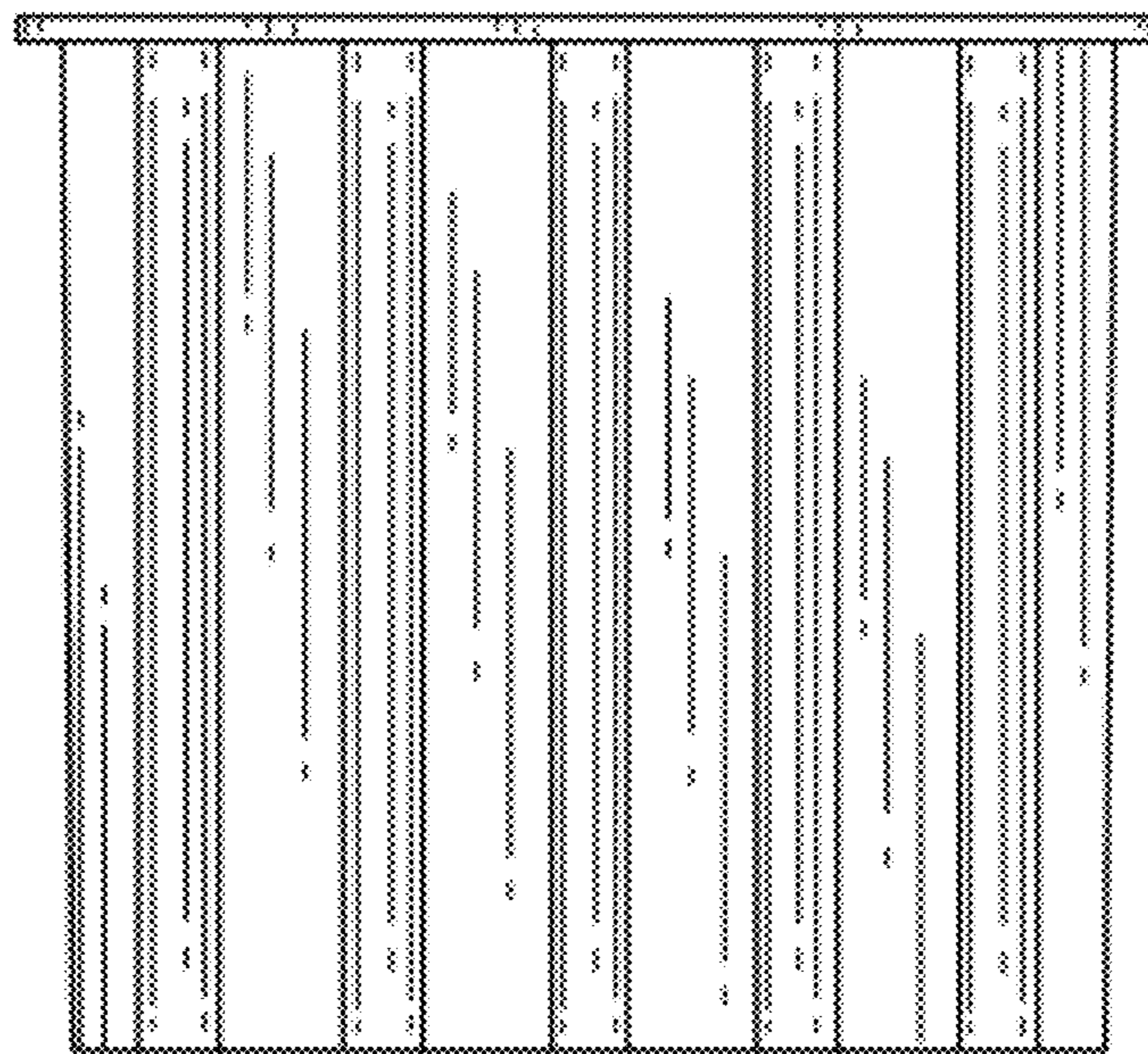


Fig. 5